



DELANEY

**MULTI-FAMILY / LIGHT COMMERCIAL
HARDWARE OFFERING**



TABLE OF CONTENTS

Information

Sales Policies & Services	4
Freight & Payment Terms.....	5
Keying Charges.....	5

Door Hardware

Delaney..... 7-20

Knobs & Levers	
Grade 3 Levers	8-14
Grade 2 Knobs.....	15
Grade 2 Levers.....	16-17
Deadbolts	18-20

Barn Door Hardware..... 21-29

Flat Track Series	21-23
Split Track Series.....	24-25
Handles & Pulls	26-27
Accessories	28-29

Bath Hardware..... 30-40

1100 series-Denali	31
900 series-Acadia.....	32

800 series-Shenandoah.....	33
700 series-Sequoia.....	34
600 series-Everglade.....	35
500 series-Yellowstone	36
400 series-Yosemite	37
300 series-Cascade	38
200 series-Congaree	39
Accessories	40

Commercial..... 41-57

Leversets.....	42-47
Deadbolts	48-49
Exit Devices & Trim.....	50-54
Door Closers	55-57

Trim Hardware & Hinges..... 58-72

Door Knockers & Viewers.....	59
Plates & Pulls.....	60
Handrail Brackets.....	61
Door Stops.....	62-65
Residential Hinges	66-70
Commercial Hinges.....	71-72

SALES POLICIES & SERVICE TERMS

RETURNS & CREDIT POLICY

All returned goods will require prior authorization, proof of purchase, and a Return Goods Authorization (RGA) number. The Delaney Hardware RGA is valid for 15 days from date of issue.

- Requests to return must be made within 45 days from date of invoice. Items must be in original packaging and in resalable condition to be determined at our discretion. Specially fabricated, discontinued, made-to-order, or custom-machined items are not returnable.
- All Returns are subject to inspection. Products not in resalable condition will not be approved and customer will have the option for Delaney Hardware to destroy or for the Customer to pick up at their expense. Products not picked up within five days of notification will be destroyed.
- All Returned merchandise is subject to a 25% restocking fee plus 2-way freight.
- Pricing and quantity discrepancies must be made within 15 days from date of invoice.
- If you wish to make a warranty claim based upon product defect, please contact us at orders@delaneyhardware.com. You must include images of the reported defect and purchase order history details.

PRICE LIST

Prices subject to change without notice. Not responsible for typographical errors.

PRODUCT AVAILABILITY

While it is our goal to ship all in stock items within 24 hours, some items require additional lead times. Please contact Customer Service to verify product availability.

LIMITED WARRANTY

Goods are warranted against manufacturing defects for one year unless other Manufacturers' warranty apply. In no case is Delaney Hardware Inc. responsible for user-caused damage or damage incurred in installation. This warranty is void if the goods have been subjected to misapplication or abuse. Call 1-800-952-4430 for copies of applicable manufacturers' warranties.

ADVERTISING TOOLS

Digital, Full-color product brochures and catalogs are available for all of our product lines. Please call your sales representative for more information.

DESIGN CENTER / SHOWROOM MERCHANDISING

Delaney can provide product displays and brochures for showrooms or design centers upon request (charges apply).

ORDER TRACKING

Delaney customers may track UPS shipments by using either the assigned tracking number (available from customer service the morning following your shipment) or by using the shipment reference number (customer PO#). If you would like to sign up for automatic shipment notifications via email, please contact your inside sales representative.

SHIPPING INFORMATION

With the rise in operational costs over the last two years, we have implemented a minimum order threshold of \$50.00. Any order below \$50.00 will incur a \$5.00 processing fee. Spend \$1000+ in products and get Free Shipping.

- Orders are entered into our fulfillment system upon receipt.
- Add-ons are handled as a separate order; freight charges will apply per order.
- Keyed orders and displays are excluded from same day shipping.
- A \$7.50 drop ship fee will be added per ship direct order. Due to global freight price increases, we have revised our 2024 Shipping Fees. Both individually-labeled parcel shipping and the larger Less-than-Truckload (LTL) pallet shipping will be affected.
- Prepaid freight is included on orders totaling more than \$1,000.00. Whether a shipment is sent small parcel or LTL, if that order meets or exceeds \$1,000.00, the order is shipped prepaid, regardless of weight.

SALES POLICIES & SERVICE TERMS

PARCEL SHIPPING

- Expedited Parcel Freight charges are estimated, and actual freight will be billed at shipment.
- Freight costs will be added to the invoice to be paid by the customer.
- Please note: All orders with 2+ Barn Door Tracks must ship LTL and not Parcel.

LTL SHIPPING

- All LTL Freight charges are estimated, and actual freight will be billed at shipment.
- Expedited charges are the responsibility of the customer.
- Freight costs will be added to the invoice to be paid by the customer.

STANDARD AND SPLIT TRACK BARN DOOR KITS SHIPPING

- Additional shipping charges will apply to all orders. Contact Customer Service for a shipping quote.

OVERSIZE ITEM CHARGE

All oversize items (as defined by UPS) are subject to an Oversize Item Charge of \$185. To make sure our customers are aware of when and where this charge will apply, our customer service team will communicate any oversize items during the order process.

OVERSIZE STANDARDS

As defined by UPS, a package weighing 50 lbs. (23 kg) or more and measuring greater than 48 inches (122 cm) on its longest side or 30 inches (76 cm) on its second side will be classified by UPS as an "Oversize" package. All packages must have a combined length and girth of no more than 165 inches (419 cm).

Parcel Total Order Amount:	UPS Ground Service Fee:
\$0 to \$199.99	\$16.00
\$200.00 - \$299.99	\$22.00
\$300.00 - \$399.99	\$28.00
\$400.00 - \$499.99	\$36.00
\$500.00 - \$749.99	\$44.00
\$750.00 - \$999.99	\$52.00
\$1,000.00 +	FREE

KEYING

RESIDENTIAL KEYING

910010	Keyed Alike	\$3.00
910020	Master Key (per cylinder)	\$5.00
910040	Builder/Construction Key (per cylinder)	\$5.00
910030	Builder Master Key	\$7.00
910035	Grand Master Key	\$7.00
910050	Common Keying	\$8.00
910100	Key Cutting	\$1.30

COMMERCIAL KEYING

791010	Commercial Key Alike	\$4.50
791020	Commercial Master Key	\$6.00
791040	Commercial Builder/Construction Key	\$6.00
791030	Commercial Builder Master Key	\$8.00
791035	Commercial Grand Master Key	\$8.00
791050	Commercial Common Key	\$9.00

KEYING TERMS

KD	Key Different - Locks keyed to different unit key numbers.
KA	Key Alike - Locks keyed to same unit key numbers.
MK	Master Key - Locks keyed to different unit key numbers while having a Master Key that will also open each unit. Master Keys provide permanent access.
CK	Construction Key - Locks keyed to different unit key numbers while having a Construction Key that will also open each unit. Construction Keys are voided when the unit keys are used.
MCK	Master Construction Key - Locks keyed to different unit key numbers while having a Master and Construction Key that will open each unit. Master Keys provide permanent access. Construction Keys are voided when the unit or master key is used.
GMCK	Grand Master Construction Key - Locks keyed as above with multiple Master Keys under one Grand Master Key. Locks can also be construction keyed with this system.
COMMON	Common Key - Allows multiple unit keys to open one common lock. This lock can also be Master and/or Construction Keyed.

KEYING KITS & PINS

	QTY	
293101	1	Delaney Keying Kit "K" \$135.00
293102	1	Delaney Keying Kit "C" \$135.00
934300	100	Delaney "C" Bottom Pins #0-#9 \$10.00
944300	100	Delaney "C" Master Pins #2 -#9 \$10.00
292350	100	Construction Balls \$10.00
KA3101	1	Callan Keying Kit "K" \$156.00
KA3101C	1	Callan Keying Kit "C" \$134.00
KA3103	100	Callan "K" Bottom Pins #1-#7 \$9.00
292150	100	Callan "K" Master Pins #1-#6 \$11.00
934300	100	Callan "C" Bottom Pins #0-#9 \$10.00
944300	100	Callan "C" Master Pins #2-#9 \$10.00

Keying Kits include: Nut Driver, Plug Follower, Spanner/Cylinder Removal Tool, Tweezers, Replacement Springs, Clips and Pins.

KEY BLANKS

	QTY	
KA3105	1	Delaney KW1 5-Pin Key Blank Silver \$1.00
291155	1	Delaney Lg Head SC4 6-Pin Key Blank Silver \$2.00
KA3102	1	Callan KW1 5-Pin Key Blank Silver \$1.00
KA3104	1	Callan2 SC1 5-Pin Key Blank \$2.00
934301	1	SC1 Key Blank 5-Pin Silver \$2.00
934301G	1	SC1 Key Blank 5-Pin Gold \$2.00
934302	1	SC4 Key Blank 6-Pin Silver \$2.00
934302G	1	SC4 Key Blank 6-Pin Gold \$2.00
791210	1	IC Core Key Blanks (Best Keyway) Silver \$3.00

CUSTOMER SERVICE DEPARTMENT (Hours of Operation: 7:00AM - 5:00PM ET)

Place Orders or Request Quotes by:

Local Phone **770-844-1941** (Press 2 for Customer Service)
Toll Free **800-952-4430** (Press 2 for Customer Service)

Fax **770-844-8658**
Email..... **orders@delaneyhardware.com**
Email..... **quotes@delaneyhardware.com**

AVAILABLE FINISHES



US3 / 605
BRIGHT BRASS



US4 / 696
SATIN BRASS



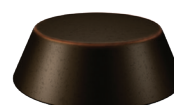
US5 / 609
ANTIQUÉ BRASS



US10B / 680
OIL RUBBED
BRONZE



US10BE / 704
OIL RUBBED BRONZE
EDGED



ABR / 624
AGED BRONZE



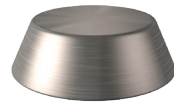
US12P / 616
TUSCANY BRONZE



ABK / 622
AGED BLACK



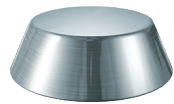
US19 / 676
MATTE BLACK



US15 / 646
SATIN NICKEL



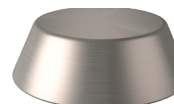
US26 / 681
BRIGHT CHROME



US26D / 682
SATIN CHROME



AS
ANTIQUÉ SILVER



US32D / 630
SATIN STAINLESS STEEL



US28 (AL) / 673
ALUMINUM



DURO / 695
DURO BRONZE



DELANEY

KNOBS & LEVERS

Grade 3

Traditional Levers

Dayton
ET Lever
Kerry
Logan
Milton

Contemporary Levers

Tulina
RD
VL
Cira
Kira
Vida

Grade 2 Knobs

Aubryn
Orlyn

Levers

Lashbrook
Mircet
Voncet



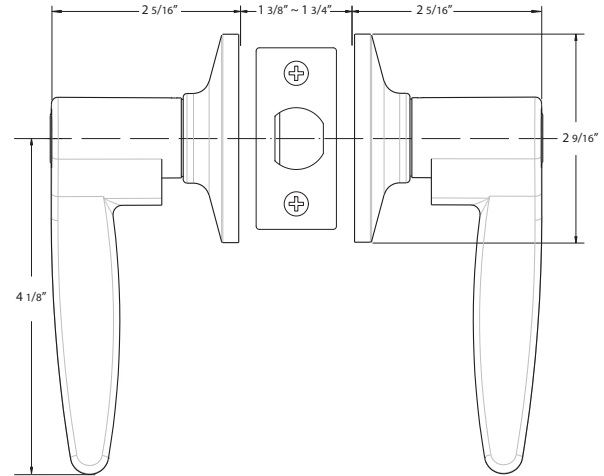
Olivia in
Satin Nickel

Specifications

Door Prep	Cross bore: 2-1/8" Edge bore: 1" Latch face: 1" x 2-1/4"	Latches (6-Way Available)	Entrance: 2-3/8" and 2-3/4" 6-way adjustable (9073) Passage/Privacy: 2-3/8" and 2-3/4" 6-way adjustable (9074) Faceplate: 1" x 2-1/4" round corner Bolt: 1/2" throw
Backset	Fits 2-3/8" and 2-3/4"	Strikes	1-3/4" x 2-1/4" full lip round corner (9103)
Door Thickness	1-3/8" ~ 1-3/4" door standard	Wood Screws	Combination screws that suit both wood or metal door mounting
Cylinder	KW1 5-pin standard SC1 5-Pin optional. Entries packed KA5	Door Handing	Reversible Lever Handing required for dummy function and Handleset interior

DAYTON

Shown in Satin Nickel

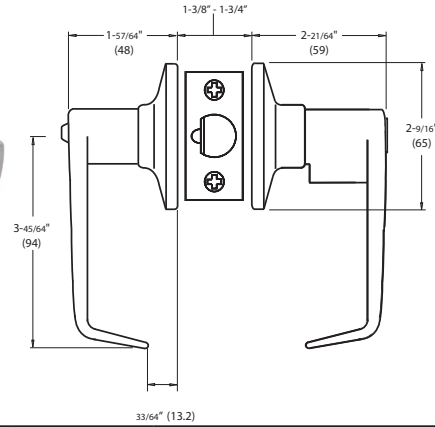


BOX PACK

Model	Function	WT/CTN	CTN QTY		US15 Satin Nickel	US26 Bright Chrome	US19 Matte Black
500T - DT	Push Button Entrance (Panic Proof)	26 lb	20 Pcs	Item No.	D20720P	D20726P	D20729P
				List Price	\$47.30	\$47.30	\$51.30
501T - DT	Passage	23 lb	20 Pcs	Item No.	D24720	D24726	D24729
				List Price	\$34.30	\$34.30	\$36.60
502T - DT	Push Button Privacy (Panic Proof)	24 lb	20 Pcs	Item No.	D22720P	D22726P	D22729P
				List Price	\$39.90	\$39.90	\$42.00
515T - DT	Dummy	15 lb	20 Pcs	Item No.	D25720 (L/R)	D25726 (L/R)	D25729 (L/R)
				List Price	\$19.00	\$19.00	\$21.00

ET LEVER

Shown in Satin Nickel



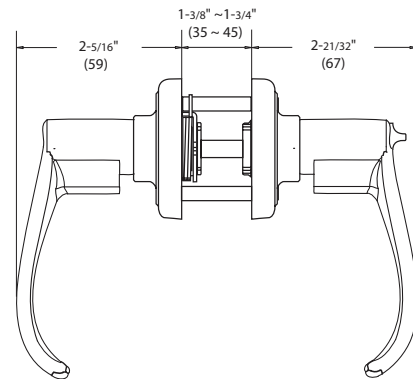
ADA Compliant
Panic Proof Function

BOX PACK

Model	Function	WT/CTN	CTN QTY	US15 Satin Nickel	
500T - ET	Push Button Entrance (Panic Proof)	26 lb	20 Pcs	Item No.	D20320P
				List Price	\$47.30
504T - ET	Storeroom	26 lb	20 Pcs	Item No.	D26320
				List Price	\$47.30
501T - ET	Passage	23 lb	20 Pcs	Item No.	D24320
				List Price	\$33.30
502TP - ET	Push Button Privacy (Panic Proof)	24 lb	20 Pcs	Item No.	D22320P
				List Price	\$39.60
515T - ET	Dummy	15 lb	20 Pcs	Item No.	D25320
				List Price	\$18.30

KERRY

Shown in Satin Nickel

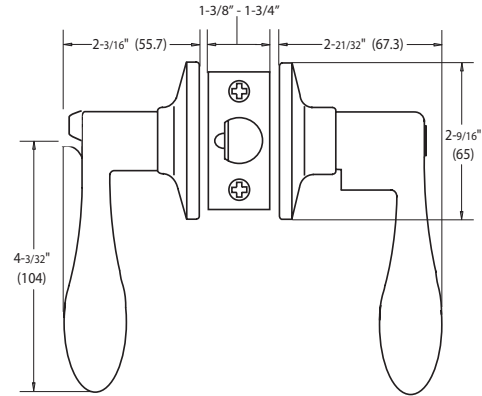


BOX PACK

Model	Function	WT/CTN	CTN QTY	US15 Satin Nickel	US12P Tuscany Bronze
500T - KY	Push Button Entrance (Panic Proof)	26 lb	20 Pcs	Item No.	D20420P
				List Price	\$46.90
501T - KY	Passage	23 lb	20 Pcs	Item No.	D24420
				List Price	\$33.90
502T - KY	Push Button Privacy (Panic Proof)	24 lb	20 Pcs	Item No.	D22420P
				List Price	\$39.60
515T - KY	Dummy	15 lb	20 Pcs	Item No.	D25420
				List Price	\$18.30

LOGAN

Shown in Satin Nickel

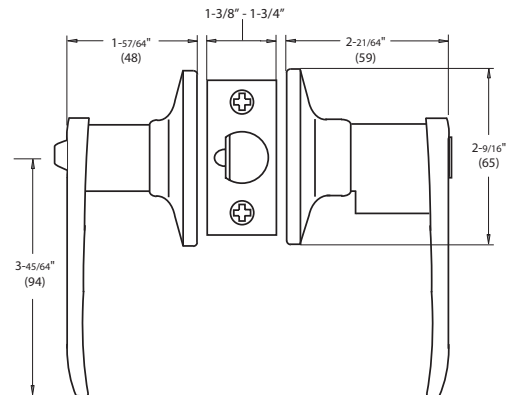


BOX PACK

Model	Function	WT/CTN	CTN QTY		US15 Satin Nickel	US26 Bright Chrome	US19 Matte Black	US12P Tuscany Bronze
500T-LO	Push Button Entrance (Panic Proof)	26 lb	20 Pcs	Item No.	D20820P	D20826P	D20829P	D20827P
				List Price	\$47.30	\$47.30	\$51.30	\$51.30
501T-LO	Passage	23 lb	20 Pcs	Item No.	D24820	D24826	D24829	D24827
				List Price	\$34.30	\$34.30	\$37.30	\$37.30
502T-LO	Push Button Privacy (Panic Proof)	24 lb	20 Pcs	Item No.	D22820P	D22826P	D22829P	D22827P
				List Price	\$39.90	\$39.90	\$42.00	\$42.00
515T-LO	Dummy	15 lb	20 Pcs	Item No.	D25820 (L/R)	D25826 (L/R)	D25829 (L/R)	D25827 (L/R)
				List Price	\$19.00	\$19.00	\$19.60	\$19.60

MILTON

Shown in Satin Nickel



BOX PACK

Model	Function	WT/CTN	CTN QTY		US15 Satin Nickel	US26D Satin Chrome	US26 Bright Chrome	US12P Tuscany Bronze	US19 Matte Black
500T - MO	Push Button Entrance (Panic Proof)	26 lb	20 Pcs	Item No.	D20520P	D20522P	D20526P	D20527P	D20529P
				List Price	\$50.90	\$50.90	\$50.90	\$51.30	\$51.30
501T- MO	Passage	23 lb	20 Pcs	Item No.	D24520	D24522	D24526	D24527	D24529
				List Price	\$33.00	\$33.00	\$33.00	\$37.30	\$37.30
502T- MO	Push Button Privacy (Panic Proof)	24 lb	20 Pcs	Item No.	D22520P	D22522P	D22526P	D22527P	D22529P
				List Price	\$39.60	\$39.60	\$39.60	\$42.30	\$42.30
515T- MO	Dummy	15 lb	20 Pcs	Item No.	D25520	D25522	D25526	D25527	D25529
				List Price	\$18.60	\$18.60	\$18.60	\$19.60	\$19.60

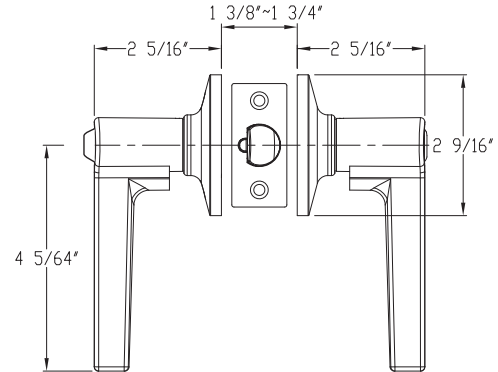
Specifications

Door Prep	Cross bore: 2-1/8" Edge bore: 1" Latch face: 1" x 2-1/4"	Latches <i>(6-Way Available)</i>	Entrance: 2-3/8" and 2-3/4" 6-way adjustable (9045R) Passage/Privacy: 2-3/8" and 2-3/4" 6-way adjustable (9079R) Faceplate: 1" x 2-1/4" round corner Bolt: 1/2" throw
Backset	Fits 2-3/8" and 2-3/4"	Strikes	1-3/4" x 2-1/4" full lip round corner (9103)
Door Thickness	1-3/8" ~ 1-3/4" door standard	Wood Screws	Combination screws that suit both wood or metal door mounting
Cylinder	KW1 5-pin standard SC1 5-Pin optional. Entries packed KA5	Door Handing	Reversible Lever Handing required for dummy function and Handleset interior

TULINA

Shown in Satin Nickel

Round Trim



BOX PACK

Model	Function	WT/ CTN	CTN QTY	Finish Options			
				US15 Satin Nickel	US26 Bright Chrome	US19 Matte Black	
500T-TA Round	Push Button Entrance (Panic Proof)	26 lb	20 Pcs	Item No.	D20220P	D20226P	D20229P
				List Price	\$52.00	\$52.00	\$54.00
501T-TA Round	Passage	23 lb	20 Pcs	Item No.	D24220	D24226	D24229
				List Price	\$38.60	\$38.60	\$41.00
502T-TA Round	Push Button Privacy (Panic Proof)	24 lb	20 Pcs	Item No.	D22220P	D22226P	D22229P
				List Price	\$42.00	\$42.00	\$46.30
515T-TA Round	Dummy	15 lb	20 Pcs	Item No.	D25220	D25226	D25229
				List Price	\$22.30	\$22.30	\$25.00

TULINA

Square Trim

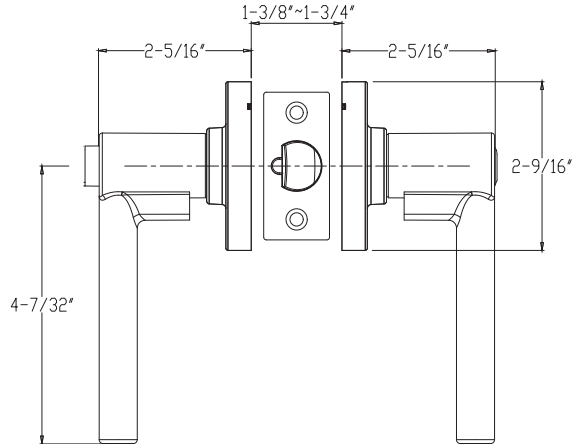
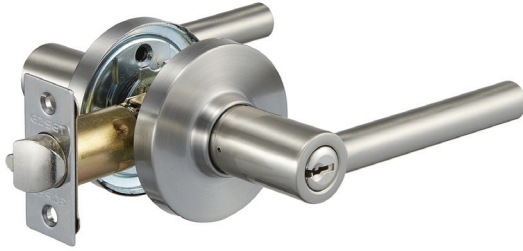


BOX PACK

Model	Function	WT/ CTN	CTN QTY	Finish Options			
				US15 Satin Nickel	US26 Bright Chrome	US19 Matte Black	
500T-TA Square	Push Button Entrance (Panic Proof)	26 lb	20 Pcs	Item No.	D20220PS	D20226PS	D20229PS
				List Price	\$57.90	\$57.90	\$67.00
501T-TA Square	Passage	23 lb	20 Pcs	Item No.	D24220S	D24226S	D24229S
				List Price	\$46.90	\$46.90	\$52.90
502T-TA Square	Push Button Privacy (Panic Proof)	24 lb	20 Pcs	Item No.	D22220PS	D22226PS	D22229PS
				List Price	\$49.90	\$49.90	\$56.90
515T-TA Square	Dummy	15 lb	20 Pcs	Item No.	D25220S	D25226S	D25229S
				List Price	\$24.00	\$24.00	\$26.00

RD LEVER

Shown in Satin Nickel



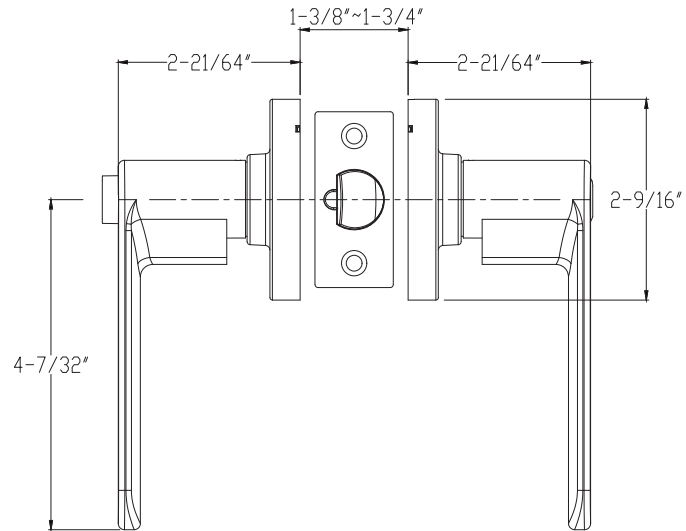
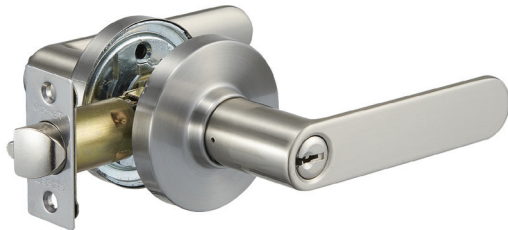
ADA Compliant
Panic Proof Function

BOX PACK

Model	Function	WT/LB	CTN QTY	Finish Options			
				US15 Satin Nickel	US26 Bright Chrome	US19 Matte Black	
500T-RD	Push Button Entrance (Panic Proof)	26 lb	10 Pcs	Item No.	D50501	D50506	D50509
				List Price	\$52.00	\$52.00	\$57.00
501T-RD	Passage	23 lb	10 Pcs	Item No.	D50511	D50516	D50519
				List Price	\$38.60	\$38.60	\$46.60
502T-RD	Privacy (Panic Proof)	24 lb	10 Pcs	Item No.	D50521	D50526	D50529
				List Price	\$42.00	\$42.00	\$48.60
515T-RD	Dummy	24 lb	20 Pcs	Item No.	D50551	D50556	D50559
				List Price	\$22.30	\$22.30	\$23.00

VL LEVER

Shown in Satin Nickel



BOX PACK

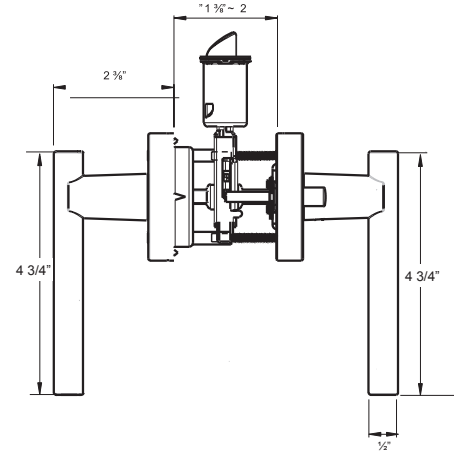
Model	Function	WT/LB	CTN QTY	US15 Satin Nickel	
				Item No.	List Price
500T-VL	Push Button Entrance (Panic Proof)	23 lb	10 Pcs	Item No.	D54501
				List Price	\$53.60
501T-VL	Passage	23 lb	10 Pcs	Item No.	D54511
				List Price	\$43.30
502T-VL	Privacy (Panic Proof)	24 lb	10 Pcs	Item No.	D54521
				List Price	\$45.60
515T-VL	Dummy	23 lb	10 Pcs	Item No.	D54551
				List Price	\$22.00

Specifications

Door Prep	Cross bore: 2-1/8" Edge bore: 1" Latch face: 1" x 2-1/4"	Latches	Passage/Privacy: 2-3/8" and 2-3/4" 6-way adjustable (9046R) Faceplate: 1" x 2-1/4" round corner Bolt: 1/2" throw
Backset	Fits 2-3/8" and 2-3/4"	Strikes	1-3/4" x 2-1/4" full lip round corner (9103)
Door Thickness	1-3/8" ~ 1-3/4" door standard	Wood Screws	Combination screws that suit both wood or metal door mounting
Door Handing	Non-Handed, Privacy is reversible	Features	Privacy Function is Panic Proof (Push Button)

CIRA

Shown in Satin Nickel



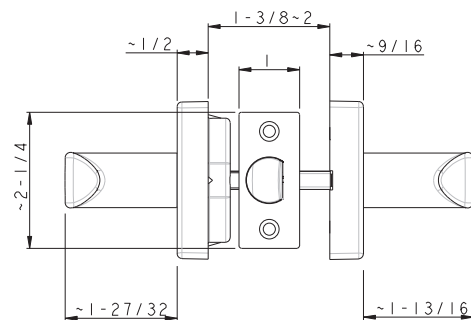
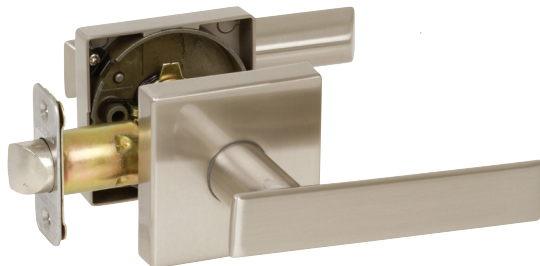
ADA Compliant
Panic Proof Function

BOX PACK

Model	Function	WT/LB	CTN QTY		US15 Satin Nickel	US26 Bright Chrome	US12P Tuscany Bronze
501T-CI	Passage	23 lb	10 Pcs	Item No.	350511	350516	350517
				List Price	\$50.30	\$50.30	\$55.60
502T-CI	Push Button Privacy (Panic Proof)	24 lb	10 Pcs	Item No.	350521	350526	350527
				List Price	\$54.60	\$54.60	\$60.60
515T-CI	Dummy	24 lb	20 Pcs	Item No.	350551	350556	350557
				List Price	\$24.90	\$24.90	\$28.00

KIRA

Shown in Satin Nickel



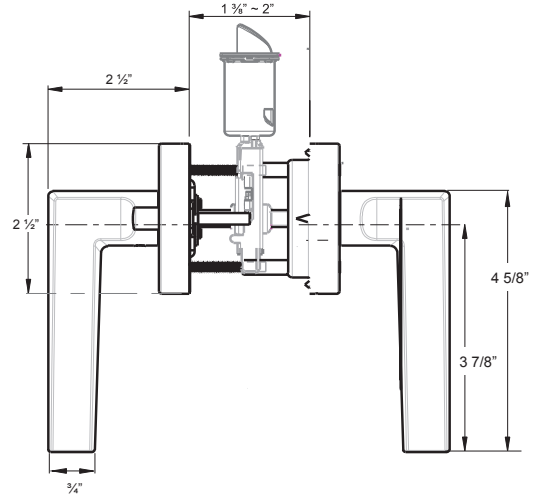
ADA Compliant
Panic Proof Function

BOX PACK

Model	Function	WT/LB	CTN QTY		US15 Satin Nickel	US26 Bright Chrome	US19 Matte Black	US12P Tuscany Bronze
501T-KR	Passage	23 lb	10 Pcs	Item No.	352511	352516	352519	352517
				List Price	\$70.00	\$70.00	\$76.90	\$76.90
502T-KR	Push Button Privacy (Panic Proof)	23 lb	10 Pcs	Item No.	352521L/R	352526L/R	352529L/R	352527L/R
				List Price	\$75.00	\$75.00	\$80.60	\$80.60
515T-KR	Dummy	24 lb	20 Pcs	Item No.	352551	352556	352559	352557
				List Price	\$34.30	\$34.30	\$37.60	\$37.60

VIDA Round Trim

Shown in Satin Nickel



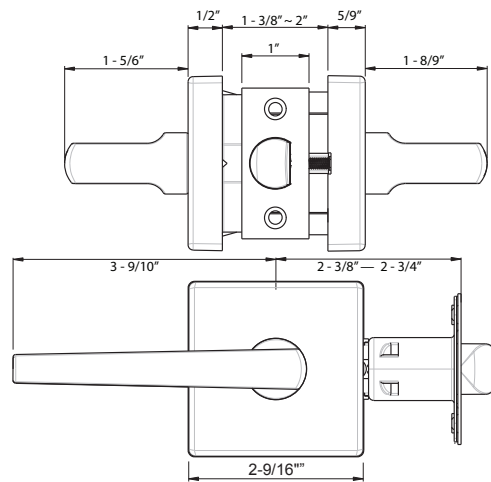
ADA Compliant
Panic Proof Function

BOX PACK

Model	Function	WT/LB	CTN QTY		US15 Satin Nickel	US26 Bright Chrome	US19 Matte Black
501T-VI Round	Passage	23 lb	10 Pcs	Item No.	351511	351516	351519
				List Price	\$49.60	\$49.60	\$55.60
502T-VI Round	Push Button Privacy (Panic Proof)	24 lb	10 Pcs	Item No.	351521	351526	351529
				List Price	\$53.60	\$53.60	\$60.60
515T-VI Round	Dummy	24 lb	20 Pcs	Item No.	351551	351556	351559
				List Price	\$24.30	\$24.30	\$27.60

Square Trim

Shown in Satin Nickel



ADA Compliant
Panic Proof Function

BOX PACK

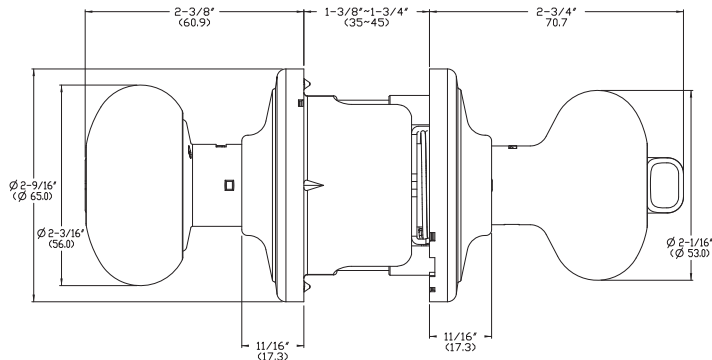
Model	Function	WT/LB	CTN QTY		US15 Satin Nickel	US26 Bright Chrome	US19 Matte Black	US12P Tuscany Bronze
501T-VI Square	Passage	23 lb	10 Pcs	Item No.	353511	353516	353519	353517
				List Price	\$70.00	\$70.00	\$76.90	\$76.90
502T-VI Square	Push Button Privacy (Panic Proof)	24 lb	10 Pcs	Item No.	353521	353526	353529	353527
				List Price	\$75.00	\$75.00	\$80.60	\$80.60
515T-VI Square	Dummy	24 lb	20 Pcs	Item No.	353551	353556	353559	353557
				List Price	\$34.30	\$34.30	\$37.60	\$37.60

Specifications

Door Prep	Cross bore: 2-1/8" Edge bore: 1" Latch face: 1" x 2-1/4"	Latches	Entrance: 2-3/8" and 2-3/4" 6-way adjustable Passage/Privacy: 2-3/8" and 2-3/4" 6-way adjustable Faceplate: 1" x 2-1/4" round corner Bolt: 1/2" throw
Backset	Fits 2-3/8" and 2-3/4"	Strikes	1-3/4" x 2-1/4" full lip round corner (9103)
Door Thickness	1-3/8" ~ 1-3/4" door standard	Wood Screws	Combination screws that suit both wood or metal door mounting
Cylinder	SC1 5-pin standard. Entries packed KA4 KW1 5-pin optional	Grade 2 Features	Concealed screws Panic Proof UL Rated Full Protection Collar

AUBRYN

Shown in Satin Nickel

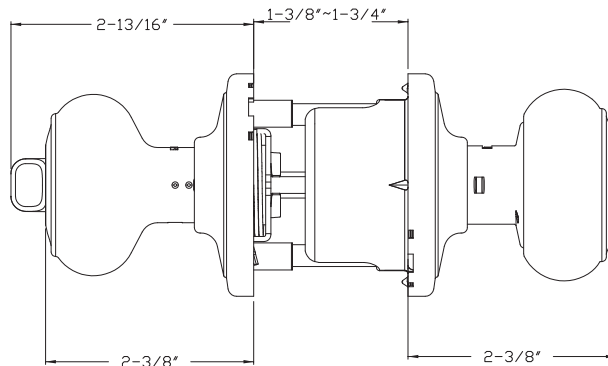


VISUAL PACK

Model	Function	WT/CTN	CTN QTY	US15			
				Satin Nickel	US19 Matte Black	US12P Tuscany Bronze	
100TT-AU-G2	Entrance	24 lb	12 Pcs	Item No.	311522	311529	311527
				List Price	\$53.60	\$59.60	\$59.60
101TT-AU-G2	Passage	22 lb	12 Pcs	Item No.	314522	314529	314527
				List Price	\$39.00	\$46.30	\$46.30
102TT-AU-G2	Privacy	22 lb	12 Pcs	Item No.	312522	312529	312527
				List Price	\$40.00	\$47.60	\$47.60
115TT-AU-G2	Dummy (Pair)	21 lb	12 Pcs	Item No.	315522	315529	315527
				List Price	\$37.00	\$43.00	\$43.00

ORLYN

Shown in Satin Nickel



VISUAL PACK

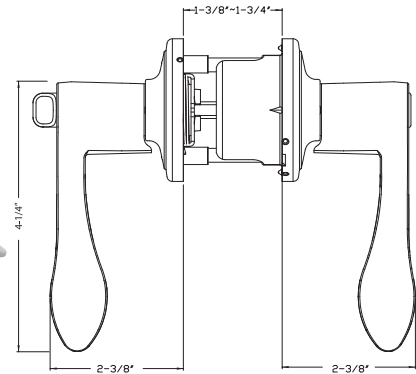
Model	Function	WT/CTN	CTN QTY	US15		
				Satin Nickel	US12P Tuscany Bronze	
100TT-OR-G2	Entrance	24 lb	12 Pcs	Item No.	311422	311427
				List Price	\$53.60	\$59.60
101TT-OR-G2	Passage	22 lb	12 Pcs	Item No.	314422	314427
				List Price	\$39.00	\$46.30
102TT-OR-G2	Privacy	22 lb	12 Pcs	Item No.	312422	312427
				List Price	\$40.00	\$47.60
115TT-OR-G2	Dummy (Pair)	21 lb	12 Pcs	Item No.	315422	315427
				List Price	\$37.00	\$43.00

Specifications

Door Prep	Cross bore: 2-1/8" Edge bore: 1" Latch face: 1" x 2-1/4"	Latches	Entrance: 2-3/8" and 2-3/4" 6-way adjustable Passage/Privacy: 2-3/8" and 2-3/4" 6-way adjustable Faceplate: 1" x 2-1/4" round corner Bolt: 1/2" throw
Backset	Fits 2-3/8" and 2-3/4"	Strikes	1-3/4" x 2-1/4" full lip round corner (9103)
Door Thickness	1-3/8" ~ 1-3/4" door standard	Wood Screws	Combination screws that suit both wood or metal door mounting
Cylinder	SC1 5-pin standard. Entries packed KA4 KW1 5-pin optional	Grade 2 Features	Concealed screws, Panic Proof, UL Rated, Full Protection Collar
Door Handing	Reversible Lever Handing required for all functions		

LASHBROOK

Shown in Satin Nickel

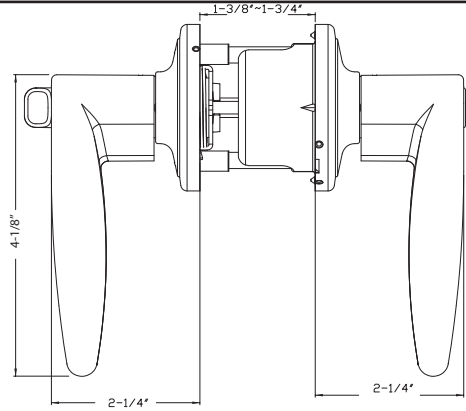


VISUAL PACK

Model	Function	WT/CTN	CTN QTY		US15 Satin Nickel	US19 Matte Black	US12P Tuscany Bronze
500TT-LB-G2	Entrance	24 lb	12 Pcs	Item No.	320820	320829	320827
				List Price	\$71.90	\$78.00	\$78.00
501TT-LB-G2	Passage	22 lb	12 Pcs	Item No.	324820	324829	324827
				List Price	\$54.00	\$60.00	\$60.00
502TT-LB-G2	Privacy	22 lb	12 Pcs	Item No.	322820	322829	322827
				List Price	\$55.00	\$61.00	\$61.00
515TT-LB-G2	Dummy (Pair)	21 lb	12 Pcs	Item No.	325820	325829	325827
				List Price	\$54.00	\$60.00	\$60.00
300TT-LB-G2	Combo	40 lb	8 Pcs	Item No.	318820	318529	318727
				List Price	\$120.00	\$138.30	\$138.30

MIRCET

Shown in Satin Nickel

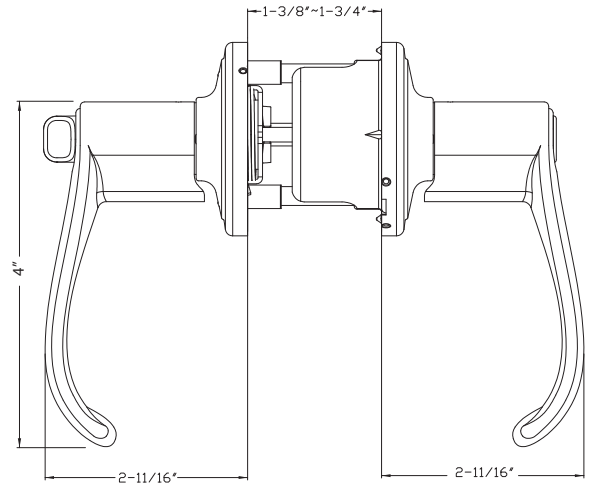


VISUAL PACK

Model	Function	WT/ CTN	CTN QTY	US15 Satin Nickel		US19 Matte Black	
				Item No.	List Price	Item No.	List Price
500TT-MC-G2	Entrance	24 lb	12 Pcs	Item No.	320620	320629	
				List Price	\$71.90	\$78.00	
501TT-MC-G2	Passage	22 lb	12 Pcs	Item No.	324620	324629	
				List Price	\$54.00	\$60.00	
502TT-MC-G2	Privacy	22 lb	12 Pcs	Item No.	322620	322629	
				List Price	\$55.00	\$61.00	
515TT-MC-G2	Dummy (Pair)	21 lb	12 Pcs	Item No.	325620	325629	
				List Price	\$54.00	\$60.00	

VONCET

Shown in Satin Nickel



VISUAL PACK

Model	Function	WT/ CTN	CTN QTY	US15 Satin Nickel	
				Item No.	List Price
500TT-VT-GR2	Entrance	24 lb	12 Pcs	Item No.	320420
				List Price	\$71.90
501TT-VT-GR2	Passage	24 lb	12 Pcs	Item No.	324420
				List Price	\$54.00
502TT-VT-GR2	Privacy	24 lb	12 Pcs	Item No.	322420
				List Price	\$55.00
515TT-VT-GR2	Dummy (Pair)	22 lb	12 Pcs	Item No.	325420
				List Price	\$54.00

Specifications

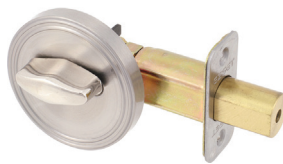
Door Prep	Cross bore: 1-3/4" or 2-1/8" cross bore Edge bore: 1" Latch face: 1" x 2-1/4" *205's Require Special 1-3/4" or 2-1/8" Cross Bore	Latches (6-Way Available)	Deadbolt: 2-3/8" and 2-3/4" 6-way adjustable (9092) Faceplate: 1" x 2-1/4" round corner Bolt: 1" Solid Brass throw with hardened steel rod
Backset	Fits 2-3/8" and 2-3/4"	Strikes	2-1/4" full lip round corner (9113 and 9117)
Door Thickness	1-3/8" ~ 1-3/4" standard. 2-1/4" Ext. Kit Available	Wood Screws	Combination screws that suit both wood or metal door mounting
Cylinder KW1 5-pin standard. SC1 5-Pin optional (Single Cylinder only). Packed KA5			

TRADITIONAL DEADBOLTS

Shown in Satin Nickel



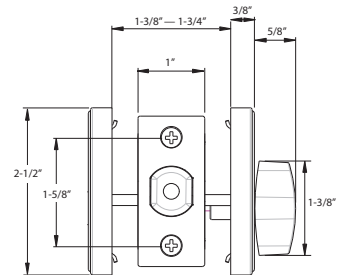
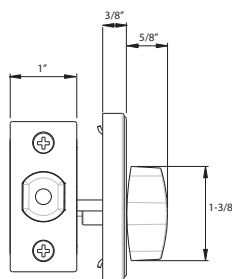
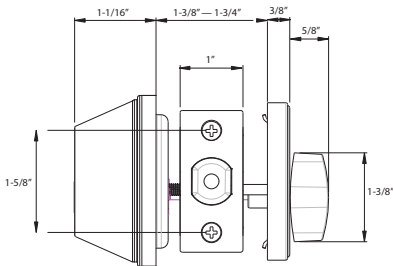
Single Cylinder (200)



One-Sided Half Bore (205)



One-Sided Full Bore (206)



BOX PACK

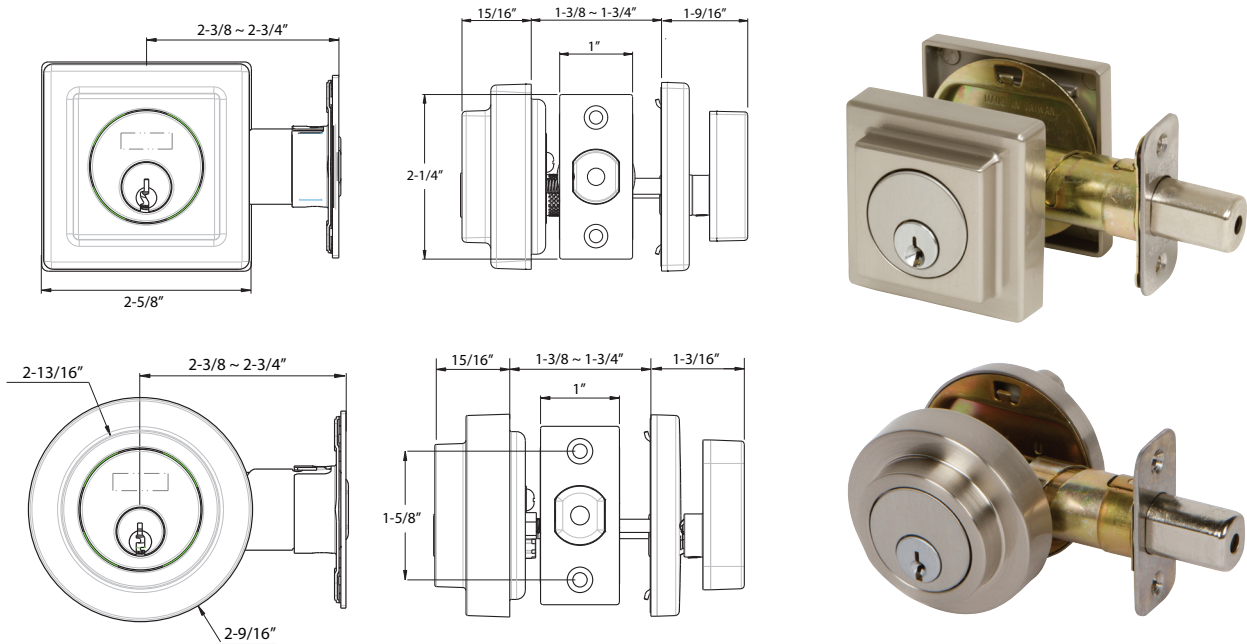
Model	Function	WT/ LB	CTN QTY		US5 Antique Brass	US32D Satin Stainless Steel	US15 Satin Nickel	US26 Bright Chrome	US19 Matte Black	US12P Tuscany Bronze
200-B	Single Cylinder	27 lb	20 Pcs	Item No.	—	D31002	D31004	D31006	D31009	D31007
				List Price		\$30.90	\$30.90	\$30.90	\$31.90	\$31.90
205-S	One-Sided (Half Bore)	15 lb	20 Pcs	Item No.	—	D35002	D35004	D35006	D35009	—
				List Price		\$16.20	\$17.90	\$17.90	\$21.20	
206-S	One-Sided (Full Bore)	15 lb	20 Pcs	Item No.	—	D36002	D36004	—	—	—
				List Price		\$20.75	\$22.90			
	Turn Button Only		Each	Item No.	D32005	D32002	D32008	D32006	D32009	D32007
				List Price	\$10.00	\$10.00	\$10.00	\$10.00	\$10.00	\$10.00

Specifications

Door Prep	Cross bore: 2-1/8" Edge bore: 1" Latch face: 1" x 2-1/4"	Latches	2-3/8" and 2-3/4" adjustable (9092) Faceplate: 1" x 2-1/4" round corner Bolt: Brass with hardened steel rod. Full 1" throw
Backset	Fits 2-3/8" and 2-3/4"	Strikes	1-3/4" x 2-1/4" Rd and Sq Corner (9113 and 9117) Includes Reinforcement Strike
Door Thickness	1-3/8" ~ 1-3/4" door standard , 2-1/4" Ext. Kit Available	Wood Screws	Combination screws that suit both wood or metal door mounting. Includes 3" Security Screws
Cylinder	KW1 5-Pin standard / SC1 5-pin Optional Deadbolts packed KA4		

CONTEMPORARY DEADBOLTS

Shown in Satin Nickel



BOX PACK

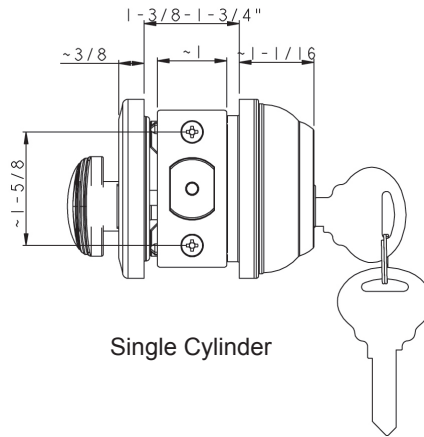
Model	Function	WT/LB	CTN QTY	US15	US26	US19	US12P	
				Satin Nickel	Bright Chrome	Matte Black	Tuscany Bronze	
200-LTS	Square Single Cylinder	20 lb	12 Pcs	Item No.	355001	355006	355009	355007
				List Price	\$58.90	\$58.90	\$64.30	\$64.30
205-LTS	Square One-Sided (Half Bore)	13 lb	12 Pcs	Item No.	353001	353006	353009	—
				List Price	\$38.95	\$38.95	\$42.95	
200-LTR	Round Single Cylinder	20 lb	12 Pcs	Item No.	345001	—	345009	—
				List Price	\$56.30		\$58.50	
	Square Turn Button		12 Pcs	Item No.	310601	310606	310619	310610
				List Price	\$25.00	\$25.00	\$25.00	\$25.00

Specifications

Door Prep	Cross bore: 2-1/8" Edge bore: 1" Latch face: 1" x 2-1/4"	Latches	2-3/8" and 2-3/4" adjustable (9092 UL) Faceplate: 1" x 2-1/4" round corner Bolt: Brass with hardened steel rod. Full 1" throw
Backset	Fits 2-3/8" and 2-3/4"	Strikes	1-3/4" x 2-1/4" Rd and Sq Corner (9111 and 9117) Includes Reinforcement Strike
Door Thickness	1-3/8" ~ 1-3/4" door standard 2-1/4" Ext. Kit Available	Wood Screws	Combination screws that suit both wood or metal door mounting Includes 3" Security Screws
Cylinder	Visual Packaging- SC1 5-pin standard Deadbolts packed KA6	Grade 2 Features in Visual Packaging	Protective Collar 3-Hr Fire Latch High Security Strike Plate Assembly

GRADE 2 TRADITIONAL DEADBOLTS

Shown in Satin Nickel



VISUAL PACK

Model	Function	WT/LB	CTN QTY	US3	US15	US19	US12P	
				Bright Brass	Satin Nickel	Matte Black	Tuscany Bronze	
200-LU-G2	Single Cylinder	27 lb	6 Pcs	Item No.	330603	330601	330609	330610
				List Price	\$47.90	\$47.90	\$60.30	\$60.30

BARN DOOR HARDWARE

Flat Track Kits

1000 Series

3000 Series

5000 Series

5000 Series
in Matte Black

Handles and Pulls

Accessories

Add a distinctive, stylish upgrade to your home while optimizing space with barn doors. Our Barn door hardware is available in a variety of styles and quality finishes with smooth, quiet wheels and durability to hold up to 330 lb.

DELANEY FLAT TRACK

Each Flat Track Series Includes:

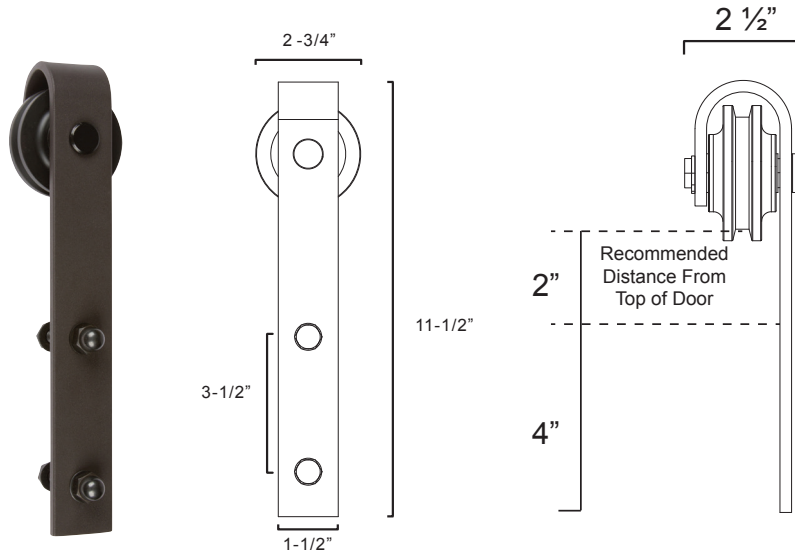
- Two Hangers with Quiet Bearing Wheels
- Steel Track (Pre-drilled)
- Standoffs and Lag Bolts
(6'- 5ct bolts and 8'- 5ct bolts)
- Two Door Stops
- One Door T-Guide
- Anti-Jump Discs
- Bolts, Nuts, and Washers



Weight Limit:
330 lb per set

1000 SERIES Standard

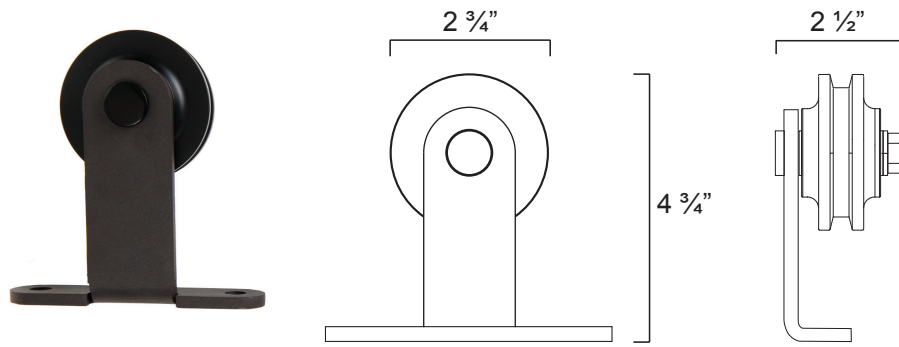
Shown in Matte Black



Description	WT/ CTN	QTY						
			US10B Oil Rubbed Bronze	US15 Satin Nickel	US19 Matte Black	US32D Satin Stainless Steel	US4 Satin Brass	
1000 Series 5ft Barn Door Hardware (Standard)	16 lb	1	Item No.	—	BD1052	BD1054	—	—
			List Price		\$247.00	\$182.00		
1000 Series 6ft Barn Door Hardware (Standard)	16 lb	1	Item No.	BD1069	BD1062	BD1064	BD1061	—
			List Price	\$299.00	\$299.00	\$195.00	\$390.00	
1000 Series 6ft, 5 inch Barn Door Hardware (Standard)	16 lb	1	Item No.	—	—	BD1664	—	—
			List Price			\$238.00		
1000 Series 8ft, Barn Door Hardware (Standard)	18 lb	1	Item No.	BD1089	BD1082	BD1084	BD1081	BD1086
			List Price	\$406.00	\$406.00	\$280.00	\$481.00	\$532.00

3000 SERIES Top Mount

Shown in Matte Black

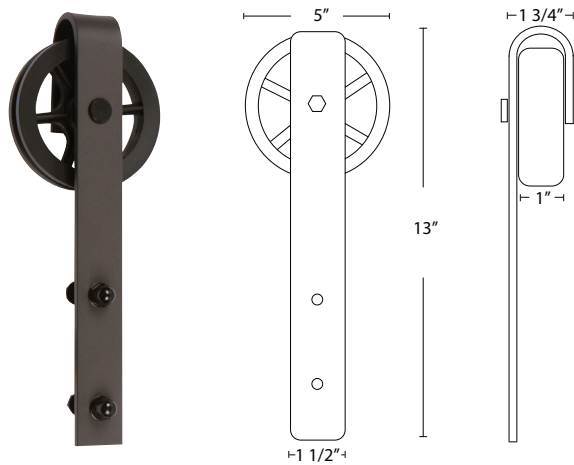


Weight Limit:
260 lb per set

Description	WT/ CTN	QTY	US15 Satin Nickel		US19 Matte Black	
			Item No.	List Price	Item No.	List Price
3000 Series 6ft Barn Door Hardware (Low Profile Top Mount Standard)	15 lb	1	Item No.	BD3062	BD3064	
			List Price	\$333.19	\$290.05	
3000 Series 8ft Barn Door Hardware (Low Profile Top Mount Standard)	15 lb	1	Item No.	BD3082	BD3084	
			List Price	\$404.30	\$322.36	

5000 SERIES Wagon Wheel

Shown in Matte Black

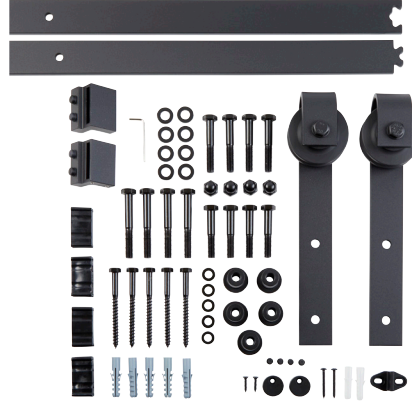


Description	WT/CTN	QTY	US19 Matte Black		Brushed Steel	
			Item No.	List Price	Item No.	List Price
5000 Series 6ft Barn Door Hardware (Wagon Wheel Standard)	18 lb	1	Item No.	BD5064	BD5061	
			List Price	\$333.98	\$441.32	
5000 Series 8ft Barn Door Hardware (Wagon Wheel Standard)	18 lb	1	Item No.	BD5084	—	
			List Price	\$363.26		

DELANEY SPLIT TRACK

Each Split Track Series Includes:

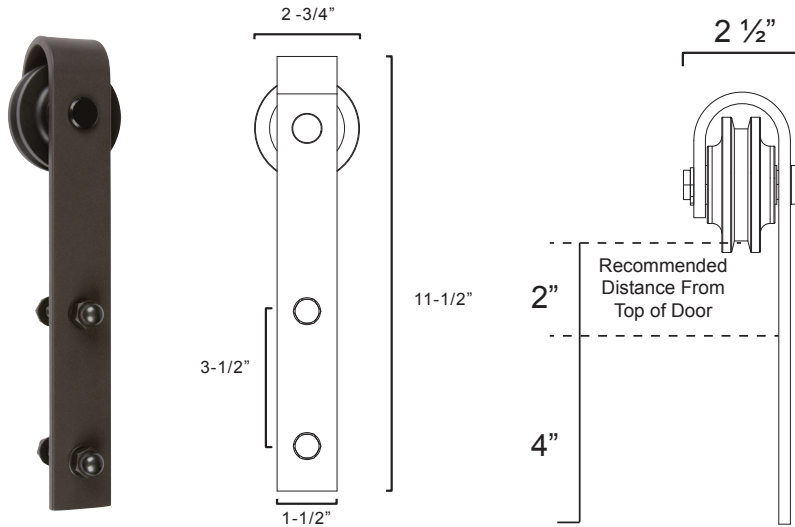
- Two Hangers with Quiet Bearing Wheels
- Two Steel Tracks (Pre-drilled)
- Standoffs and Lag Bolts (6'- 5ct bolts and 8'- 5ct bolts)
- Two Door Stops
- One Door T-Guide
- Anti-Jump Discs
- Bolts, Nuts, and Washers



Weight Limit:
330 lb per set

1000 SERIES Standard

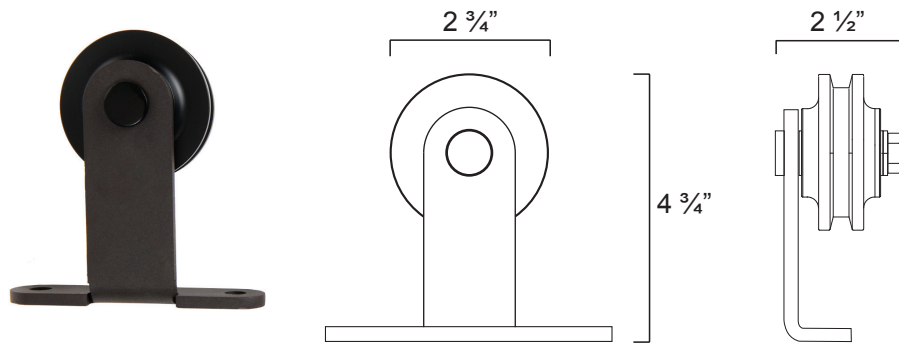
Shown in Matte Black



Description	WT/ CTN	QTY		US10B Oil Rubbed Bronze	US15 Satin Nickel	US19 Matte Black	US32D Satin Stainless Steel
1000 Series 5ft Barn Door Hardware (Split Track)	16 lb	1	Item No.	—	BD1052S	BD1054S	—
			List Price		\$247.00	\$182.00	
1000 Series 6ft Barn Door Hardware (Split Track)	16 lb	1	Item No.	BD1069S	BD1062S	BD1064S	BD1061S
			List Price	\$299.00	\$299.00	\$195.00	\$390.00
1000 Series 6ft, 5 inch Barn Door Hardware (Split Track)	16 lb	1	Item No.	—	—	BD1664S	—
			List Price			\$238.00	
1000 Series 8ft, Barn Door Hardware (Split Track)	18 lb	1	Item No.	BD1089S	BD1082S	BD1084S	BD1081S
			List Price	\$406.00	\$406.00	\$280.00	\$481.00

3000 SERIES Top Mount

Shown in Matte Black

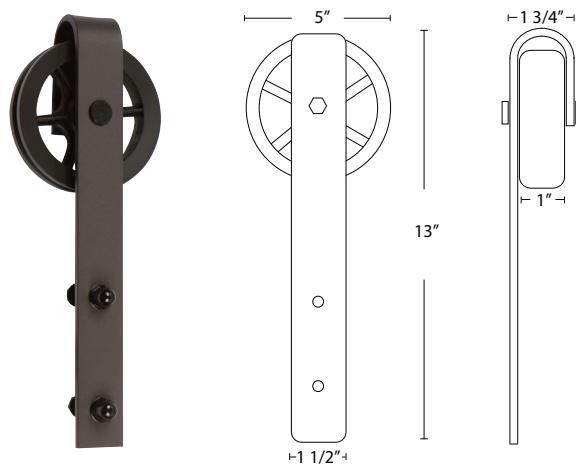


Weight Limit:
260 lb per set

Description	WT/ CTN	QTY	US15 Satin Nickel		US19 Matte Black	
			Item No.	List Price	Item No.	List Price
3000 Series 6ft Barn Door Hardware (Low Profile Top Mount w/ Split Track)	15 lb	1	Item No.	BD3062S	Item No.	BD3064S
			List Price	\$333.19	List Price	\$290.05
3000 Series 8ft Barn Door Hardware (Low Profile Top Mount w/ Split Track)	15 lb	1	Item No.	BD3082S	Item No.	BD3084S
			List Price	\$404.30	List Price	\$322.36

5000 SERIES Wagon Wheel

Shown in Matte Black



Weight Limit:
330 lb per set

Description	WT/CTN	QTY	US19 Matte Black		Brushed Steel	
			Item No.	List Price	Item No.	List Price
5000 Series 6ft Barn Door Hardware (Wagon Wheel w/ Split Track)	18 lb	1	Item No.	BD5064S	Item No.	BD5061S
			List Price	\$333.98	List Price	\$441.32
5000 Series 8ft Barn Door Hardware (Wagon Wheel w/ Split Track)	18 lb	1	Item No.	BD5084S	Item No.	—
			List Price	\$363.26	List Price	—

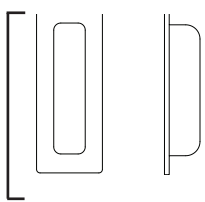
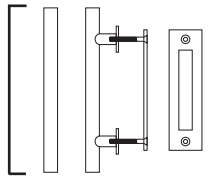
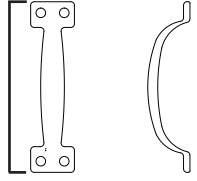
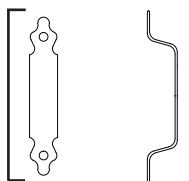
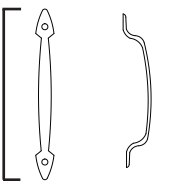
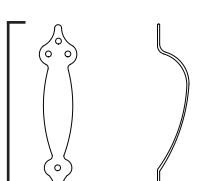
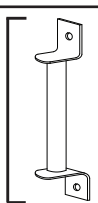
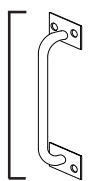
Barn Door Single Bifold Kit

Shown in Matte Black

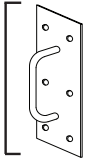
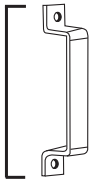
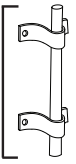
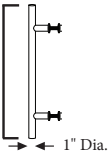
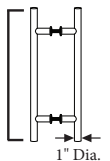

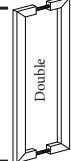
Description	WT/ CTN	QTY	US19 Matte Black	
			Item No.	List Price
Barn Door Bifold Kit for Single Door	15 lb	1	Item No.	BDBIFOLD
			List Price	\$180.50



BARN DOOR HANDLES

	Description	Finish	Item No.	List Price	QTY	WT/ CTN
 4 3/4"	Barn Door Finger Pull - Flush	US19	BD0164	\$23.00	1	1 lb
	Barn Door Finger Pull - Flush	US15	BD0161	\$23.00	1	1 lb
	Barn Door Finger Pull - Flush	US10B	BD0169	\$23.00	1	1 lb
 12"	Barn Door Combo Pull Handle - (Round with Flush Mount)	US19	BD0804	\$50.00	1	2.6 lb
 6 1/2"	Barn Door Pull Handle - Square	US19	BD0124	\$20.30	1	1 lb
	Barn Door Pull Handle - Square	US10B	BD0129	\$20.30	1	1 lb
 7"	Barn Door Pull Handle - Clover	US19	BD0134	\$20.30	1	1 lb
	Barn Door Pull Handle - Clover	Brushed Steel	BD0131	\$21.00	1	1 lb
 7 1/2"	Barn Door Pull Handle - Spade	US15	BD0141	\$20.30	1	1 lb
 10 1/4"	Barn Door Pull Handle - Spade	US19	BD0144	\$20.30	1	1 lb
 7 3/4"	Barn Door Pull Handle - Round 002	US19	BD0024	\$22.00	1	1 lb
 7 3/4"	Barn Door Pull Handle - Round 036	US19	BD0364	\$22.00	1	1 lb
	Barn Door Pull Handle - Round 036	US10B	BD0369	\$22.00	1	1 lb
	Barn Door Pull Handle - Round 036	US15	BD0361	\$23.60	1	1 lb


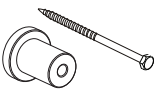

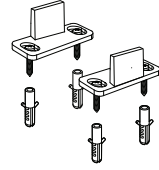

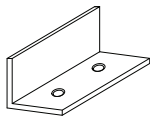

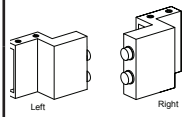
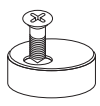
BARN DOOR HANDLES

	Description	Finish	Item No.	List Price	QTY	WT/CTN
11 3/4" 	Barn Door Pull Handle - Round Handle with Plate (Handle Length 2-1/2", width 3-1/8")	US19	BD0034	\$89.00	1	1 lb
7 3/4" 	Barn Door Pull Handle - Flat Square	US19	BD0044	\$22.00	1	1 lb
	Barn Door Pull Handle - Flat Square	US10B	BD0049	\$22.00	1	1 lb
	Barn Door Pull Handle - Flat Square	US15	BD0041	\$23.60	1	1 lb
	Barn Door Pull Handle - Flat Square	US4	BD0046	\$25.00	1	1 lb
7 3/4" 	Barn Door Pull Handle - Tubular 026	US19	BD0264	\$22.00	1	1 lb
	Barn Door Pull Handle - Tubular 026	US10B	BD0269	\$22.00	1	1 lb
15 3/4" 	Barn Door Pull Handle - Single-Sided Round	US19	BD0174	\$80.00	1	1 lb
	Barn Door Pull Handle - Single-Sided Round	US10B	BD0159	\$80.00	1	1 lb
	Barn Door Pull Handle - Single-Sided Round	US15	BD0151	\$80.00	1	1 lb
15 3/4" 	Barn Door Pull Handle - Double-Sided Round	US19	BD0464	\$82.00	1	3 lb
	Barn Door Pull Handle - Double-Sided Round	US10B	BD0469	\$82.00	1	3 lb
	Barn Door Pull Handle - Double-Sided Round	US15	BD0461	\$82.00	1	3 lb
17 1/4" 	Barn Door Pull Handle - 17" Single-Sided Square	US19	BD0604	\$42.00	1	2 lb
	Barn Door Pull Handle - 17" Single-Sided Square	US15	BD0601	\$42.00	1	2 lb
17 1/4" 	Barn Door Pull Handle - 17" Double-Sided Square	US19	BD0664	\$42.00	1	3 lb
	Barn Door Pull Handle - 17" Double-Sided Square	Brushed Steel	BD0661	\$42.00	1	3 lb
	Barn Door Pull Handle - 5FT Double-Sided Square	Brushed Steel	BD0761	\$106.00	1	3 lb

FLAT TRACK KIT COMPONENTS

	Description	Finish	Item No.	List Price	QTY
	1000 Series Hanger Only w/ Mounting Screws	US19	BD1004	\$69.00	1
	1000 Series Hanger Only w/ Mounting Screws	US10B	BD1009	\$69.00	1
	1000 Series Hanger Only w/ Mounting Screws	Brushed Steel	BD1001	\$83.00	1
	1000 Series Hanger Only w/ Mounting Screws	US4	BD1006	\$83.00	1
	3000 Series Hanger Only w/ Mounting Screws	US19	BD3004	\$75.00	1
	3000 Series Hanger Only w/ Mounting Screws	Brushed Steel	BD3001	\$75.00	1
	3000 Series Hanger Only w/ Mounting Screws	US15	BD3002	\$75.00	1
	3000 Series Hanger Only w/ Mounting Screws	US10B	BD3009	\$75.00	1
	5000 Series Hanger Only w/ Mounting Screws	Brushed Steel	BD5001	\$92.00	1
	5000 Series Hanger Only w/ Mounting Screws	US19	BD5004	\$92.00	1
	5000 Series Hanger Only w/ Mounting Screws	US10B	BD5009	\$92.00	1
	Barn Door Standard 5' Track Only	US19	BD1154	\$162.00	1
	Barn Door Standard 5' Track Only	US15	BD1152	\$189.00	1
	Barn Door Standard 6' Track Only	US19	BD1164	\$172.00	1
	Barn Door Standard 6' Track Only	Brushed Steel	BD1161	\$215.00	1
	Barn Door Standard 6' Track Only	US10B	BD1169	\$192.00	1
	Barn Door Standard 6' Track Only	US15	BD1162	\$192.00	1
	Barn Door Standard 8' Track Only	Brushed Steel	BD1181	\$255.00	1
	Barn Door Standard 8' Track Only	US10B	BD1189	\$236.00	1
	Barn Door Standard 8' Track Only	US15	BD1182	\$285.00	1
	Barn Door Flat Track Dual Soft Closer (All series)*Pair	US19	BD0001A	\$70.00	1
	Barn Door Flat Track Connector Plate (All Series)	US19	BD0003	\$26.00	1
	Barn Door Flat Track Connector Plate (All Series)	US10B	BD0002	\$26.00	1
	Barn Door Flat Track Connector Plate (All Series)	US15	BD0063	\$26.00	1
	Barn Door ByPass Track Connector Bracket	US19	BD0054	\$26.00	1

DELANEY BARN DOOR ACCESSORIES

	Description	Finish	Item No.	List Price	QTY
	Barn Door Tear Drop Privacy Lock - 2 3/16" tall, 1 5/16" wide	US19	BD0504	\$28.00	1
	Barn Door Lag Bolt & Spacer- 1 3/8", Standard	BS	BD0061	\$24.00	1
	Barn Door Lag Bolt & Spacer- 1 3/8", Standard	BLK	BD0064	\$24.00	1
	Barn Door Lag Bolt & Spacer- 1 3/8", Standard	ORB	BD0069	\$24.00	1
	Barn Door Lag Bolt & Spacer- 1 3/8", Standard	US15	BD0062	\$26.00	1
	Barn Door Lag Bolt and Spacer - 2" Extended (each)	US19	BD0017	\$26.00	1
	Barn Door Lag Bolt and Spacer - 2" Extended (each)	ORB	BD0016	\$26.00	1
	Barn Door Lag Bolt and Spacer - 2" Extended (each)	Stainless Steel	BD0018	\$26.00	1
	Barn Door Double Floor Guide	US19	BD0005	\$29.00	1
	Barn Door Wall Mount Guide	US19	BD0104	\$29.00	1
	Barn Door L Guide - 7/8" tall, 7/8" wide, 1/2" thick, 2" long	US19	BD0004	\$25.00	1
	Barn Door L Guide - 7/8" tall, 7/8" wide, 1/2" thick, 2" long	Brushed Steel	BD0071	\$37.00	1
	Barn Door T Guide	US19	BD0015	\$29.00	1
	Barn Door Flat Track Stops (Pair)	US19	BD0006	\$26.00	1
	Barn Door Flat Track Stops (Pair)	ORB	BD0007	\$27.00	1
	Barn Door Anti-Jump Disc (Pair)	US19	BD0010	\$29.00	1

DELANEY BARN DOOR ACCESSORIES

BATH HARDWARE

900 Series-Acadia
Shown in Satin Brass

Bath Series

1100 Series-Denali
900 Series-Acadia
800 Series-Shenandoah
700 Series-Sequoia
600 Series-Everglade
500 Series-Yellowstone
400 Series-Yosemite
300 Series-Cascade
200 Series-Congaree

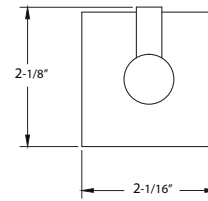
Bath Accessories

Medicine Cabinets
Shower Rods
Grab Bars

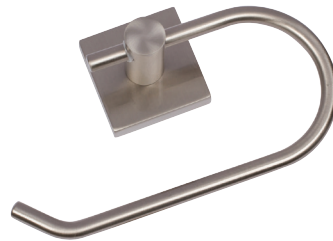
1100 SERIES-DENALI SQUARE CONTEMPORARY

Shown in Satin Nickel

Trim Size:



Towel Ring



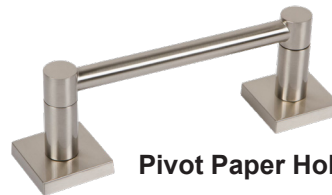
Euro Paper Holder



Paper Holder



Towel Bar Set



Pivot Paper Holder



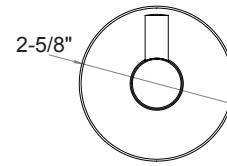
Single Robe Hook

DESCRIPTION	WT/LB	CT/ QTY		US26 Bright Chrome	US15 Satin Nickel	US4 Satin Brass	US19 Matte Black	US12P Tuscany Bronze
Paper Holder (Metallic Plastic Roller)	48 lb	50 Pcs	Item No.	510006	510008	510000	510004	510002
			List Price	\$32.80	\$32.80	\$40.30	\$40.30	\$33.25
Euro Paper Holder	40 lb	50 Pcs	Item No.	510106	510108	510100	510104	510102
			List Price	\$31.10	\$31.10	\$32.80	\$32.80	\$32.80
Towel Ring	37 lb	50 Pcs	Item No.	510506	510508	510500	510504	510502
			List Price	\$30.90	\$30.90	\$36.35	\$36.35	\$32.80
Pivot Paper Holder	37 lb	50 Pcs	Item No.	—	—	510400	510404	—
			List Price			\$55.00	\$55.00	
Single Robe Hook	20 lb	50 Pcs	Item No.	510606	510608	510600	510604	510602
			List Price	\$23.45	\$23.45	\$31.85	\$31.85	\$31.35
18" Towel Bar Set	64 lb	50 Pcs	Item No.	511186K	511188K	511180K	511184K	511182K
			List Price	\$40.00	\$40.00	\$46.30	\$46.30	\$43.95
24" Towel Bar Set	42 lb	50 Pcs	Item No.	511246K	511248K	511240K	511244K	511242K
			List Price	\$43.25	\$43.25	\$49.30	\$49.30	\$46.35
Towel Bar Post Only	42 lb	50 Pcs	Item No.	512006	512008	512000	512004	512002
			List Price	\$32.80	\$32.80	\$40.25	\$40.25	\$35.95
5/8" Diameter 18" Towel Bar Only	18 lb	50 Pcs	Item No.	580186	580188	580180	580184	580182
			List Price	\$6.70	\$6.70	\$8.10	\$8.10	\$8.00
5/8" Diameter 24" Towel Bar Only	22 lb	50 Pcs	Item No.	580246	580248	580240	580244	580242
			List Price	\$8.75	\$8.75	\$10.70	\$10.70	\$10.40

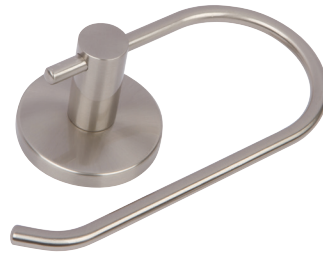
900 SERIES-ACADIA ROUND CONTEMPORARY

Shown in Satin Nickel

Trim Size:



Towel Ring



Euro Paper Holder



Paper Holder



Towel Bar Set



Single Robe Hook



Pivot Paper Holder



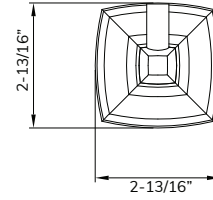
Rod Paper Holder

DESCRIPTION	WT/ LB	CT/QTY		US26 Bright Chrome	US15 Satin Nickel	US4 Satin Brass	US19 Matte Black	US12P Tuscany Bronze
Paper Holder (Metallic Plastic Roller)	48 lb	50 Pcs	Item No.	598006	598008	598000	598004	598002
			List Price	\$25.45	\$25.45	\$33.95	\$33.95	\$28.35
Euro Paper Holder	40 lb	50 Pcs	Item No.	598106	598108	598100	598104	598102
			List Price	\$16.70	\$16.70	\$20.80	\$20.80	\$18.60
Rod Paper Holder	48 lb	50 Pcs	Item No.	598706	598708	—	598704	—
			List Price	\$25.00	\$25.00		\$25.00	
Pivot Paper Holder	48 lb	50 Pcs	Item No.	598406	598408	598400	598404	598402
			List Price	\$35.00	\$35.00	\$35.00	\$35.00	\$35.00
Towel Ring	37 lb	50 Pcs	Item No.	598506	598508	598500	598504	598502
			List Price	\$20.20	\$20.20	\$23.70	\$23.70	\$23.70
Single Robe Hook	20 lb	50 Pcs	Item No.	598606	598608	598600	598604	598602
			List Price	\$11.55	\$11.55	\$15.00	\$15.00	\$15.00
26" Towel Bar Set	42 lb	50 Pcs	Item No.	598246	598248	598240	598244	598242
			List Price	\$31.45	\$31.45	\$36.45	\$36.45	\$36.45
34" Towel Bar Set	64 lb	50 Pcs	Item No.	598306	598308	598300	598304	598302
			List Price	\$32.10	\$32.10	\$38.90	\$38.90	\$38.90

800 SERIES-SHENANDOAH

Shown in Satin Nickel

Trim Size:



Towel Ring



Euro Paper Holder



Paper Holder



Towel Bar Set



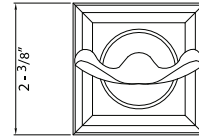
Single Robe Hook

DESCRIPTION	WT/ LB	CT/QTY	US26 Bright Chrome			US15 Satin Nickel			US12P Tuscany Bronze		
			Item No.	List Price		Item No.	List Price		Item No.	List Price	
Paper Holder (Metal Roller)	48 lb	50 Pcs	Item No.	588006		588008		588002			
			List Price	\$23.65		\$23.65		\$25.25			
Euro Paper Holder	40 lb	50 Pcs	Item No.	588106		588108		588102			
			List Price	\$14.15		\$14.15		\$16.55			
Towel Ring	37 lb	50 Pcs	Item No.	588506		588508		588502			
			List Price	\$19.85		\$19.85		\$22.95			
Single Robe Hook	20 lb	50 Pcs	Item No.	588606		588608		588602			
			List Price	\$7.30		\$7.30		\$8.35			
18" Towel Bar Set	62 lb	50 Pcs	Item No.	588186K		588188K		588182K			
			List Price	\$27.55		\$27.55		\$31.85			
24" Towel Bar Set	64 lb	50 Pcs	Item No.	588246K		588248K		588242K			
			List Price	\$29.60		\$29.60		\$34.30			
Towel Bar Post Only	42 lb	50 Pcs	Item No.	588206		588208		588202			
			List Price	\$20.80		\$20.80		\$23.85			
3/4" Diameter 18" Towel Bar Only	18 lb	50 Pcs	Item No.	540186		540188		540182			
			List Price	\$6.70		\$6.70		\$8.00			
3/4" Diameter 24" Towel Bar Only	22 lb	50 Pcs	Item No.	540246		540248		540242			
			List Price	\$8.75		\$8.75		\$10.40			

700 SERIES-SEQUOIA

Shown in Satin Nickel

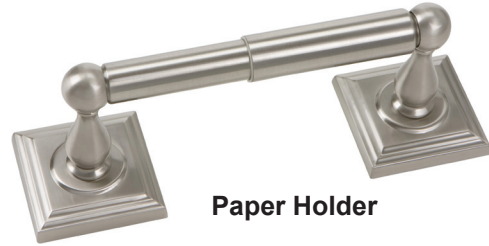
Trim Size:



Towel Ring



Euro Paper Holder



Paper Holder



Towel Bar Set



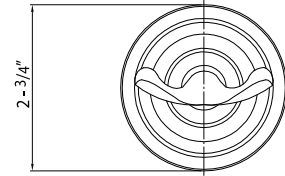
Double Robe Hook

DESCRIPTION	WT/ LB	CT/QTY		US26 Bright Chrome	US15 Satin Nickel	US19 Matte Black	US12P Tuscany Bronze
Paper Holder (Metal Roller)	48 lb	50 Pcs	Item No.	520006	520008	520004	520002
			List Price	\$23.00	\$23.00	\$27.15	\$25.30
Euro Paper Holder	40 lb	50 Pcs	Item No.	520106	520108	520104	520102
			List Price	\$14.15	\$14.15	\$17.85	\$16.55
Towel Ring	37 lb	50 Pcs	Item No.	520506	520508	520504	520502
			List Price	\$19.85	\$19.85	\$24.05	\$22.95
Double Robe Hook	20 lb	50 Pcs	Item No.	520606	520608	520604	520602
			List Price	\$7.00	\$7.00	\$9.00	\$8.00
18" Towel Bar Set	59 lb	50 Pcs	Item No.	521186K	521188K	521184K	521182K
			List Price	\$27.55	\$27.55	\$29.45	\$29.45
24" Towel Bar Set	64 lb	50 Pcs	Item No.	521246K	521248K	521244K	521242K
			List Price	\$29.60	\$29.60	\$34.25	\$34.25
Towel Bar Post Only	42 lb	50 Pcs	Item No.	522006	522008	522004	522002
			List Price	\$20.80	\$20.80	\$24.70	\$23.85
5/8" Diameter 18" Towel Bar Only	18 lb	50 Pcs	Item No.	580186	580188	580184	580182
			List Price	\$6.70	\$6.70	\$8.10	\$8.00
5/8" Diameter 24" Towel Bar Only	22 lb	50 Pcs	Item No.	580246	580248	580244	580242
			List Price	\$8.75	\$8.75	\$10.70	\$10.40

600 SERIES-EVERGLADE

Shown in Satin Nickel

Trim Size:



Towel Ring



Euro Paper Holder



Paper Holder



Towel Bar Set



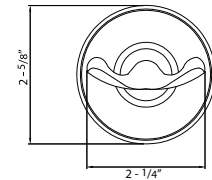
Double Robe Hook

DESCRIPTION	WT/LB	CT/QTY	US26 Bright Chrome			US15 Satin Nickel			US12P Tuscany Bronze		
			Item No.	List Price		Item No.	List Price		Item No.	List Price	
Paper Holder (Metal Roller)	48 lb	50 Pcs	Item No.	550006		550008		550002			
			List Price	\$23.65		\$23.65		\$25.35			
Euro Paper Holder	40 lb	50 Pcs	Item No.	550106		550108		550102			
			List Price	\$14.15		\$14.15		\$15.95			
Towel Ring	37 lb	50 Pcs	Item No.	550506		550508		550502			
			List Price	\$19.85		\$19.85		\$21.95			
Double Robe Hook	20 lb	50 Pcs	Item No.	550606		550608		550602			
			List Price	\$7.10		\$7.10		\$8.00			
18" Towel Bar Set	59 lb	50 Pcs	Item No.	551186K		551188K		551182K			
			List Price	\$27.55		\$27.55		\$28.60			
24" Towel Bar Set	64 lb	50 Pcs	Item No.	551246K		551248K		551242K			
			List Price	\$29.60		\$29.60		\$31.15			
Towel Bar Post Only	42 lb	50 Pcs	Item No.	552006		552008		552002			
			List Price	\$20.80		\$20.80		\$23.85			
3/4" Diameter 18" Towel Bar Only	18 lb	50 Pcs	Item No.	540186		540188		540182			
			List Price	\$6.70		\$6.70		\$8.00			
3/4" Diameter 24" Towel Bar Only	22 lb	50 Pcs	Item No.	540246		540248		540242			
			List Price	\$8.75		\$8.75		\$10.40			
3/4" Diameter 30" Towel Bar Only	22 lb	50 Pcs	Item No.	540306		540308		540302			
			List Price	\$10.75		\$10.75		\$13.45			

500 SERIES-YELLOWSTONE

Shown in Satin Nickel

Trim Size:



Towel Ring



Euro Paper Holder



Paper Holder



Towel Bar Set



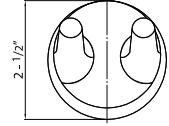
Double Robe Hook

DESCRIPTION	WT/ LB	CT/ QTY		US26 Bright Chrome	US15 Satin Nickel	US4 Satin Brass	US19 Matte Black	US12P Tuscany Bronze
Paper Holder (Metal Roller)	33 lb	50 Pcs	Item No.	590006	590008	590000	590004	590002
			List Price	\$17.35	\$17.35	\$21.45	\$21.45	\$20.00
Euro Paper Holder	31 lb	50 Pcs	Item No.	590106	590108	590100	590104	590102
			List Price	\$10.70	\$10.70	\$14.30	\$14.30	\$12.30
Towel Ring	24 lb	50 Pcs	Item No.	590506	590508	590500	590504	590502
			List Price	\$13.50	\$13.50	\$17.20	\$17.20	\$16.65
Double Robe Hook	18 lb	50 Pcs	Item No.	590606	590608	590600	590604	590602
			List Price	\$6.80	\$6.80	\$9.10	\$9.10	\$7.80
18" Towel Bar Set	42 lb	50 Pcs	Item No.	591186K	591188K	591180K	591184K	591182K
			List Price	\$20.40	\$20.40	\$25.35	\$25.35	\$23.85
24" Towel Bar Set	46 lb	50 Pcs	Item No.	591246K	591248K	591240K	591244K	591242K
			List Price	\$22.40	\$22.40	\$27.90	\$27.90	\$26.25
Towel Bar Post Only	29 lb	50 Pcs	Item No.	592006	592008	592000	592004	592002
			List Price	\$13.65	\$13.65	\$17.20	\$17.20	\$15.85
3/4" Diameter 18" Towel Bar Only	13 lb	50 Pcs	Item No.	540186	540188	540180	540184	540182
			List Price	\$6.70	\$6.70	\$8.10	\$8.10	\$8.00
3/4" Diameter 24" Towel Bar Only	18 lb	50 Pcs	Item No.	540246	540248	540240	540244	540242
			List Price	\$8.75	\$8.75	\$10.70	\$10.70	\$10.40
3/4" Diameter 30" Towel Bar Only	22 lb	50 Pcs	Item No.	540306	540308	—	—	540302
			List Price	\$10.75	\$10.75			\$13.45

400 SERIES-YOSEMITE

Shown in Satin Nickel

Trim Size:



Towel Ring



Euro Paper Holder



Paper Holder



Towel Bar Set

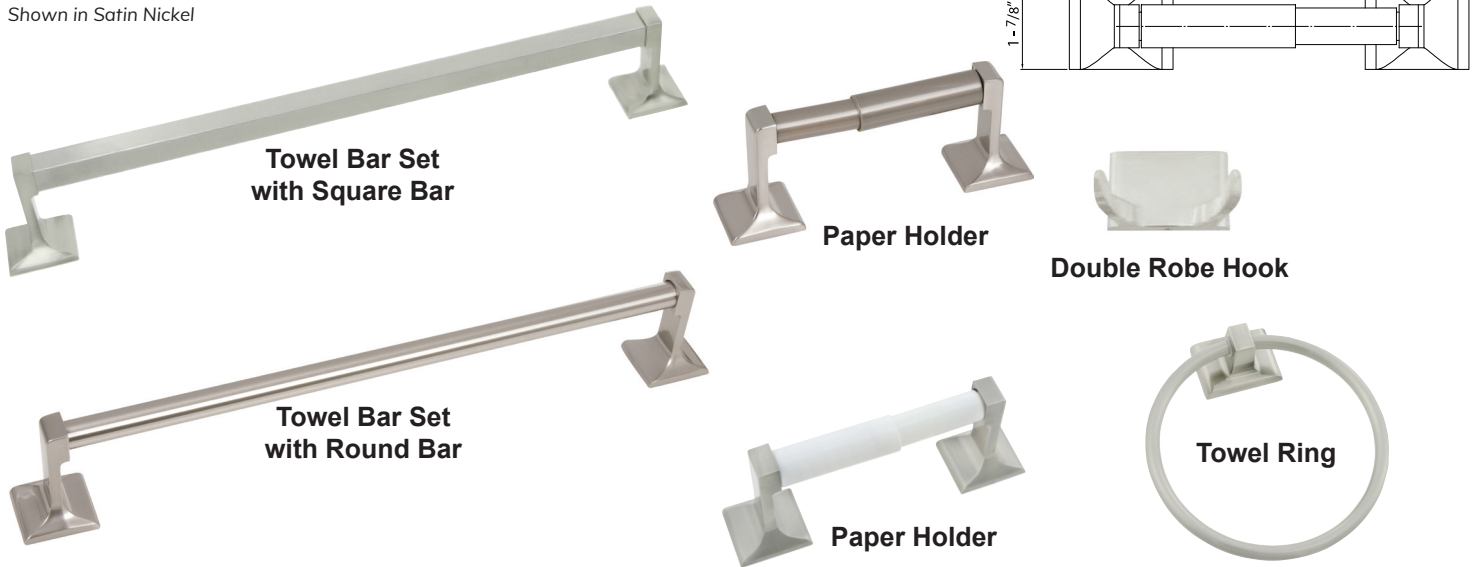


Double Robe Hook

DESCRIPTION	WT/LB	CT/QTY	US26 Bright Chrome			US15 Satin Nickel			US12P Tuscany Bronze		
			Item No.	List Price		Item No.	List Price		Item No.	List Price	
Paper Holder (Metallic Plastic Roller)	33 lb	50 Pcs	Item No.	580006		580008		580002			
			List Price	\$16.30		\$16.30		\$19.00			
Euro Paper Holder	31 lb	50 Pcs	Item No.	580106		580108		580102			
			List Price	\$16.30		\$16.30		\$19.00			
Towel Ring	24 lb	50 Pcs	Item No.	580506		580508		580502			
			List Price	\$12.45		\$12.45		\$14.00			
Double Robe Hook	18 lb	50 Pcs	Item No.	580606		580608		580602			
			List Price	\$5.45		\$5.45		\$6.45			
18" Towel Bar Set	40 lb	50 Pcs	Item No.	581186K		581188K		581182K			
			List Price	\$18.05		\$18.05		\$20.60			
24" Towel Bar Set	46 lb	50 Pcs	Item No.	581246K		581248K		581242K			
			List Price	\$21.55		\$21.55		\$24.70			
Towel Bar Post Only	29 lb	50 Pcs	Item No.	582006		582008		582002			
			List Price	\$12.80		\$12.80		\$14.25			
3/4" Diameter 18" Towel Bar Only	13 lb	50 Pcs	Item No.	540186		540188		540182			
			List Price	\$6.70		\$6.70		\$8.00			
3/4" Diameter 24" Towel Bar Only	18 lb	50 Pcs	Item No.	540246		540248		540242			
			List Price	\$8.75		\$8.75		\$10.40			
3/4" Diameter 30" Towel Bar Only	22 lb	50 Pcs	Item No.	540306		540308		540302			
			List Price	\$10.75		\$10.75		\$13.45			

300 SERIES-CASCADE

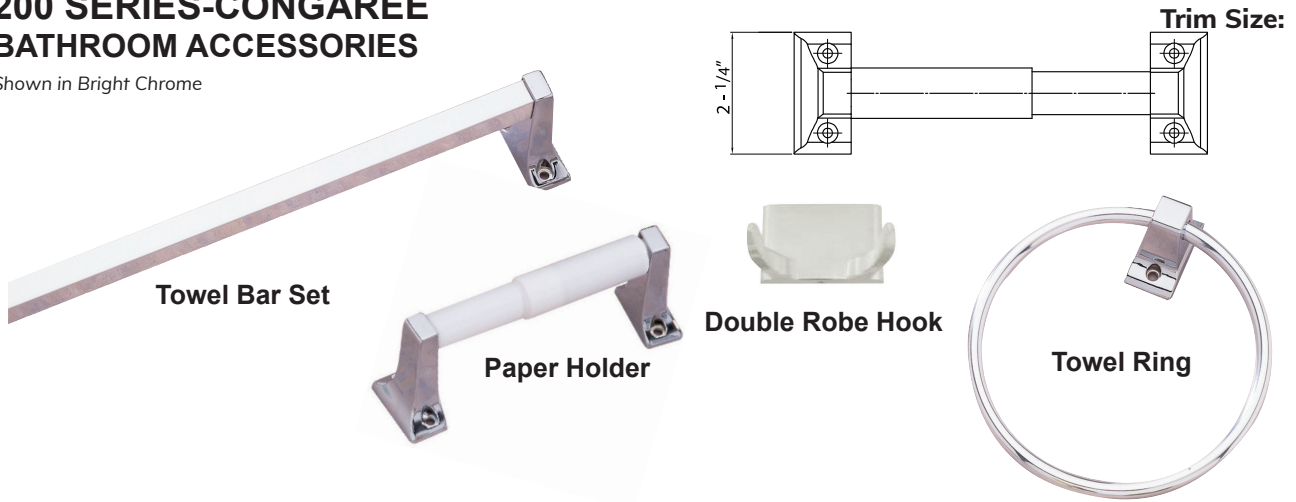
Shown in Satin Nickel



DESCRIPTION	WT/LB	CT/QTY	US26 Bright Chrome		US15 Satin Nickel	
			Item No.	List Price	Item No.	List Price
Paper Holder (White Plastic Roller)	29 lb	50 Pcs	Item No.	502001B	502801B	
			List Price	\$8.15	\$10.00	
Paper Holder (Metallic Plastic Roller)	29 lb	50 Pcs	Item No.	502002B	502802B	
			List Price	\$8.15	\$10.00	
Double Robe Hook	18 lb	50 Pcs	Item No.	502012B	502812B	
			List Price	\$3.60	\$4.00	
Towel Ring	12 lb	50 Pcs	Item No.	502022B	502822B	
			List Price	\$6.55	\$8.00	
18" Towel Bar Set (Square)	32 lb	50 Pcs	Item No.	572018BK	572818BK	
			List Price	\$11.65	\$12.00	
24" Towel Bar Set (Square)	36 lb	50 Pcs	Item No.	572024BK	572824BK	
			List Price	\$13.50	\$14.00	
Towel Bar Post Only (Square)	25 lb	50 Pcs	Item No.	502100B	502800B	
			List Price	\$6.70	\$7.70	
3/4" x 18" Towel Bar Only (Square)	8 lb	50 Pcs	Item No.	582118	580118	
			List Price	\$2.40	\$4.45	
3/4" x 24" Towel Bar Only (Square)	11 lb	50 Pcs	Item No.	582124	580124	
			List Price	\$3.30	\$5.80	
18" Towel Bar Set (Round)	32 lb	50 Pcs	Item No.	572018RK	572818RK	
			List Price	\$13.45	\$15.00	
24" Towel Bar Set (Round)	36 lb	50 Pcs	Item No.	572024RK	572824RK	
			List Price	\$15.45	\$17.00	
Towel Bar Post Only (Round)	25 lb	50 Pcs	Item No.	502100R	502800R	
			List Price	\$6.70	\$7.70	
3/4" x 18" Towel Bar Only (Round)	8 lb	50 Pcs	Item No.	540186	540188	
			List Price	\$6.70	\$6.70	
3/4" x 24" Towel Bar Only (Round)	8 lb	50 Pcs	Item No.	540246	540248	
			List Price	\$8.75	\$8.75	

200 SERIES-CONGAREE BATHROOM ACCESSORIES

Shown in Bright Chrome



DESCRIPTION	WT/LB	CT/QTY	US26 Bright Chrome	
Paper Holder (White Plastic Roller)	25 lb	50 Pcs	Item No.	501001B
			List Price	\$6.00
Towel Ring	11 lb	50 Pcs	Item No.	501022
			List Price	\$5.00
24" Towel Bar Set	26 lb	50 Pcs	Item No.	501024K
			List Price	\$8.00
Towel Bar Post Only	15 lb	50 Pcs	Item No.	501100
			List Price	\$5.70
3/4" x 18" Towel Bar Only	11 lb	50 Pcs	Item No.	582118
			List Price	\$2.40
3/4" x 24" Towel Bar Only	12 lb	50 Pcs	Item No.	582124
			List Price	\$3.30
Double Robe Hook	18 lb	50 Pcs	Item No.	501012
			List Price	\$3.00

MEDICINE CABINETS

~~SPECIFICATIONS~~

- Recessed Mounting -
- Rough Opening 13-1/2" x 17-1/2"



Framed Medicine Cabinet



Beveled Edge Medicine Cabinet

DESCRIPTION	SIZE	CT/QTY	WT/CTN		
Satin Satin Stainless Steel Framed Medicine Cabinet	16" x 20"	1 Pcs	9 lb	Item No.	500001
				List Price	\$61.60
Beveled Edge Mirror Medicine Cabinet	16" x 22"	1 Pcs	9 lb	Item No.	500002
				List Price	\$87.35

CURVED SHOWER ROD SET (CONCEALED SCREW FLANGE)

Shown in Matte Black



Description	Finish	SIZE	CTN QTY	WT/CTN	Item No.	List Price
Curved Shower Rod Set w/ Concealed Screw Flange	US19	5 FT	12	14 lb	504254	\$68.75
Curved Shower Rod Set w/ Concealed Screw Flange	US26	5 FT	12	12 lb	504156	\$44.00

CONSTANT CURVE SHOWER ROD

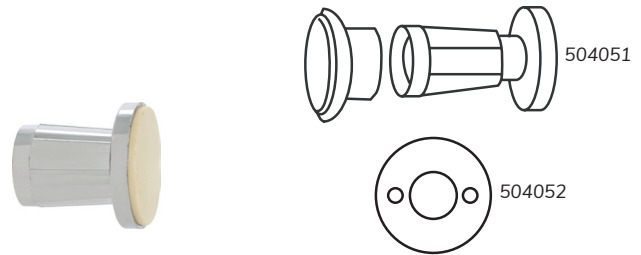
Shown in Bright Chrome



Description	Finish	SIZE	CTN QTY	WT/CTN	Item No.	List Price
Constant Curve Shower Rod Set- Bright Chrome	US26	5 FT	12	48 lb	504356	\$48.35
Constant Curve Shower Rod Set- Matte Black	US19	5 FT	12	48 lb	504354	\$65.45
Constant Curve Shower Rod Set- Stainless Steel	US32D	5 FT	12	48 lb	504350	\$51.00

SHOWER ROD SETS (W/ ADJUSTABLE FLANGES)

Shown in Bright Chrome



Description	Finish	SIZE	CTN QTY	WT/CTN	Item No.	List Price
Shower Rod Set w/ Adj. Flange	US26	5 FT	50	33 lb	504050K	\$12.95
Adj. Shower Rod Flange Only	US26		50	6 lb	504051	\$3.30
Exposed Screw Flange Only	US26		50	6 lb	504052	\$9.30
Satin Aluminum Shower Rod Only	US26	5 Ft	50	27 lb	504005	\$10.20
Satin Aluminum Shower Rod Only	US26	6 Ft	50	30 lb	504006	\$12.30

STAINLESS GRAB BARS (CONCEALED SCREW FLANGE)

Hospitality & Public Washroom
Accessories Available
Please call for additional sizes



ADA Compliant

Description	SIZE	CTN QTY	WT/CTN	Item No.	List Price
1-1/2" Satin Stainless Steel Grab Bar Concealed Screw Flange	18"	12	23 lb	512018C	\$47.40
1-1/2" Satin Stainless Steel Grab Bar Concealed Screw Flange	24"	12	27 lb	512024C	\$52.65
1-1/2" Satin Stainless Steel Grab Bar Concealed Screw Flange	36"	12	35 lb	512036C	\$61.00
1-1/2" Satin Stainless Steel Grab Bar Concealed Screw Flange	42"	12	40 lb	512042C	\$65.30



COMMERCIAL

Leversets

- Grade 1 Cylindrical Levers
- Grade 2 Cylindrical Levers
- Grade 2 Tubular Levers

Deadbolts

- Grade 1
- Grade 2

Exit Devices

- 9000 Series
- 8000 Series
- 9000/8000 Series Exterior Trim

Door Closers

- 8000 Series
- 6000 Series
- 4400 Series
- 3000 Series
- Parts

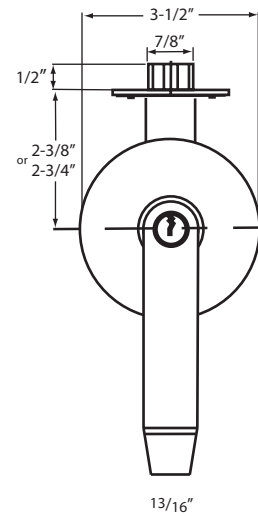
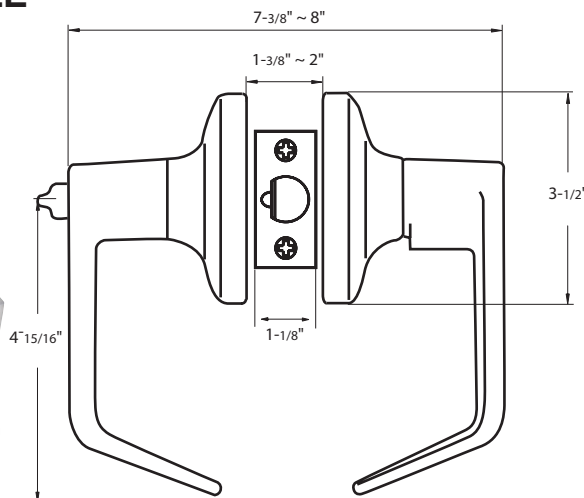
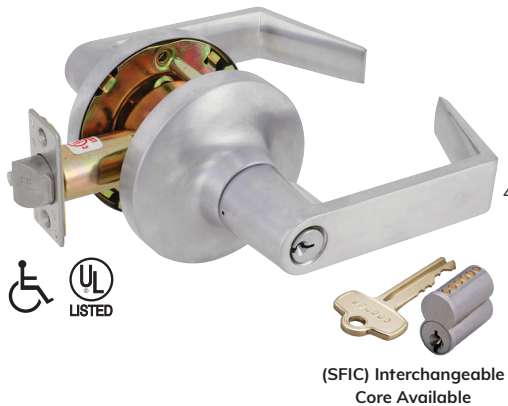
DELANEY LEVERSETS GRADE 1

Specifications

Door Prep	Cross bore: 2-1/8" Edge bore: 1" Latch face: 1-1/8" x 2-1/4" Dummies are surface mounted	Latches	Entrance: 2-3/4" (F9070T) standard. 2-3/8" (F9060T) optional Pass/Priv: 2-3/4" (F9073T) standard 2-3/8" (F9063T) optional Faceplate: 1-1/8" x 2-1/4" square corner Bolt: 1/2" Satin Stainless Steel throw. Meets 3-Hr. Fire Rating
Backset	2-3/4" UL Latch standard, 2-3/8" optional	Strikes	4-7/8" ANSI Strike standard (9109)
Door Thickness	1-3/8" ~ 2". Adjustable mounting plate	Door Handing	Not Required
Cylinder	SC4 6-pin standard , KW1 5-pin optional Entries packed KA2, SC1 5-pin optional	Interchangeable Core	Optional small-format 6-pin available
ANSI & Federal Standards	<ul style="list-style-type: none"> Meets & exceeds requirements of BHMA/ANSI A156.2 Series 4000, GR1, 800,000 Cycles. Meets FF-H-106C Federal Standard. 	Product Features	Independent Torsion Spring Concealed Mounting Screws Clutch Function Removable Through Bolts Anti-Friction Latch Retractor Panic Proof - Push/Turn

F SERIES - CT LEVER STYLE GRADE 1 EXTRA HEAVY DUTY CYLINDRICAL LEVERSET

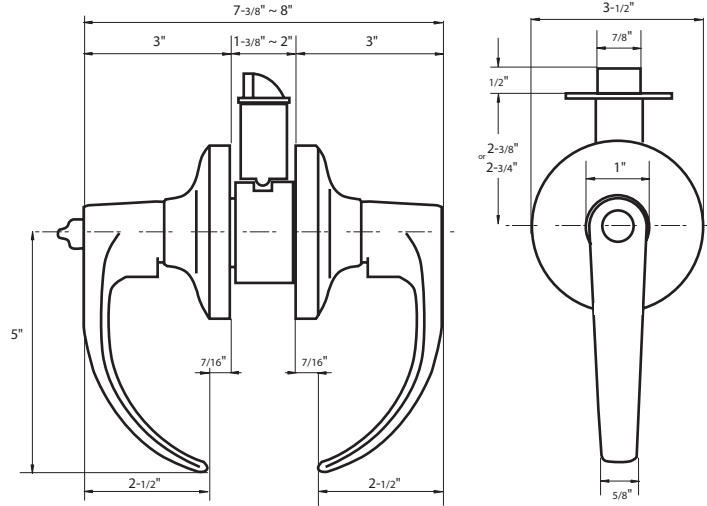
Shown in Satin Chrome



Model	Function	WT/LB	CTN QTY	Standard Cylinder		IC Core (Less Core)		
				US26D Satin Chrome	US10B Oil Rubbed Bronze	US26D Satin Chrome	US10B Oil Rubbed Bronze	
500-F-CT	Entrance	32 lb	6 Pcs	Item No.	3C6002	3C6000	3K6002	3K6000
				List Price	\$207.00	\$217.00	\$207.00	\$217.00
504-F-CT	Storeroom	32 lb	6 Pcs	Item No.	3C6042	3C6040	3K6042	3K6040
				List Price	\$212.00	\$223.00	\$212.00	\$223.00
509-F-CT	Classroom	32 lb	6 Pcs	Item No.	3C6092	3C6090	3K6092	3K6090
				List Price	\$212.00	\$223.00	\$212.00	\$223.00
501-F-CT	Passage	30 lb	6 Pcs	Item No.	3C6012	—		
				List Price	\$187.00			
502-F-CT	Privacy	31 lb	6 Pcs	Item No.	3C6022	—		
				List Price	\$189.00			
515-F-CT	Dummy	15 lb	6 Pcs	Item No.	3C6052	—		
				List Price	\$107.00			

F SERIES - SD LEVER STYLE GRADE 1 EXTRA HEAVY DUTY CYLINDRICAL LEVERSET

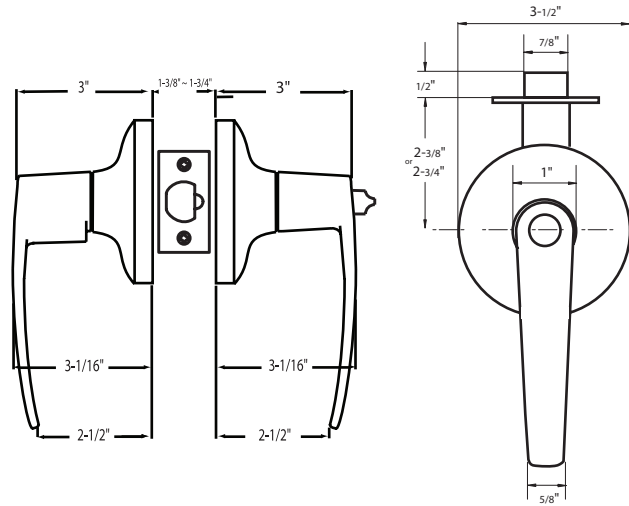
Shown in Satin Chrome



Model	Function	WT/LB	CTN QTY	US26D Satin Chrome	
500-F-SD	Entrance	32 lb	6 Pcs	Item No.	3C5002
				List Price	\$207.00
504-F-SD	Storeroom	32 lb	6 Pcs	Item No.	3C5042
				List Price	\$212.00

F SERIES - MD LEVER STYLE GRADE 1 EXTRA HEAVY DUTY CYLINDRICAL LEVERSET

Shown in Satin Chrome



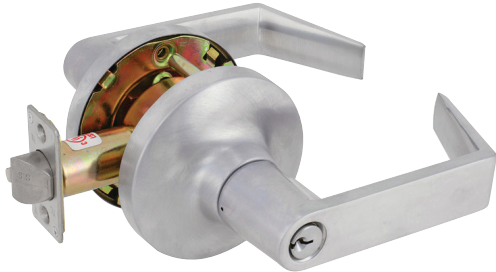
Model	Function	WT/LB	CTN QTY	US26D Satin Chrome	
500-F-MD	Entrance	32 lb	6 Pcs	Item No.	3N5002
				List Price	\$207.00
504-F-MD	Storeroom	32 lb	6 Pcs	Item No.	3N5042
				List Price	\$212.00

Specifications

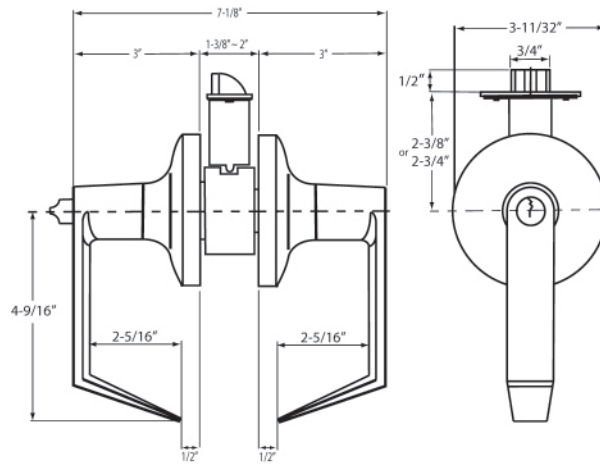
Door Prep	Cross bore: 2-1/8" Edge bore: 1" Latch face: 2-3/4": 1-1/8" x 2-1/4" 2-3/8": 1" x 2-1/4" Dummies are surface mounted	Latches	Entrance: 2-3/4" (E9070T) standard. 2-3/8" (E9060T) optional Pass/Priv: 2-3/4" (E9073T) standard. 2-3/8" (E9063T) optional Faceplate: 2-3/4": 1-1/8" x 2-1/4". 2-3/8": 1" x 2-1/4" Sq. Corner Bolt: 1/2" Stainless Steel throw. Meets 3-Hr. Fire Rating	
Backset	2-3/4" UL Latch standard, 2-3/8" optional	Strikes	4-7/8" ANSI Strike standard (9109)	
Door Thickness	1-3/8" ~ 2". Adjustable mounting plate			
Cylinder	SC4 6-pin standard, KW1 5-pin optional Entries packed KA2, SC1 5-pin optional	Interchangeable Core	Optional small-format 6-pin available	
ANSI & Federal Standards	Meets & exceeds requirements of BHMA/ANSI A156.2 Series 4000, GR2, 400,000 Cycles. Meets FF-H-106C Federal Standard.	Product Features	Independent Torsion Spring Concealed Mounting Screws Clutch Function	Removable Through Bolts Anti-Friction Latch Retractor Panic Proof - Push/Turn

E SERIES - CT LEVER STYLE GRADE 2 HEAVY DUTY CYLINDRICAL LEVERSET

Shown in Satin Chrome



(SFIC) Interchangeable Core Available

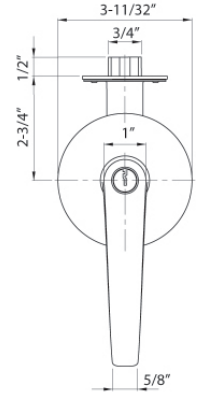
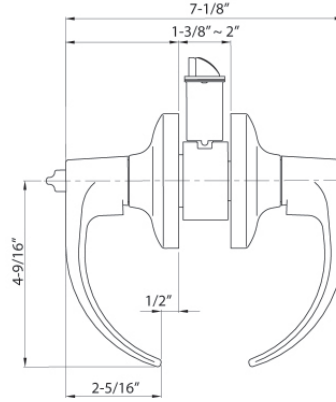


Model	Function	WT/LB	CTN QTY	Standard Cylinder		IC Core (Less Core)
				US26D Satin Chrome	US26D IC Core Satin Chrome	
500-E-CT	Entrance	29 lb	6 Pcs	Item No.	3V5002	3V5102
				List Price	\$135.00	\$135.00
504-E-CT	Storeroom	29 lb	6 Pcs	Item No.	3V5042	3V5142
				List Price	\$142.00	\$142.00
509-E-CT	Classroom	29 lb	6 Pcs	Item No.	3V5092	3V5192
				List Price	\$142.00	\$142.00
501-E-CT	Passage	26 lb	6 Pcs	Item No.	3V5012	
				List Price	\$112.00	
502-E-CT	Privacy	28 lb	6 Pcs	Item No.	3V5022	
				List Price	\$115.00	
515-E-CT	Dummy	18 lb	12 Pcs	Item No.	3V5052	
				List Price	\$55.00	

DELANEY LEVERSETS GRADE 2

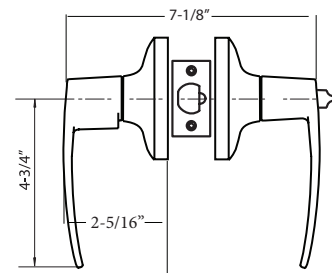
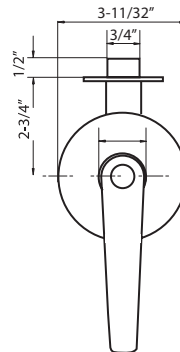
E SERIES - SD LEVER STYLE GRADE 2 HEAVY DUTY CYLINDRICAL LEVERSET

Shown in Satin Chrome



Model	Function	WT/LB	CTN QTY	Standard Cylinder		IC Core (Less Core)	
				US26D Satin Chrome	US26D IC Core Satin Chrome	US26D Satin Chrome	US26D IC Core Satin Chrome
500-E-SD	Entrance	29 lb	6 Pcs	Item No.	3S5002	3S5102	
				List Price	\$135.00	\$135.00	
504-E-SD	Storeroom	29 lb	6 Pcs	Item No.	3S5042	3S5142	
				List Price	\$142.00	\$142.00	
509-E-SD	Classroom	29 lb	6 Pcs	Item No.	3S5092	3S5192	
				List Price	\$142.00	\$142.00	
501-E-SD	Passage	26 lb	6 Pcs	Item No.	3S5012		
				List Price	\$112.00		
502-E-SD	Privacy	26 lb	6 Pcs	Item No.	3S5022		
				List Price	\$115.00		
515-E-SD	Dummy	18 lb	12 Pcs	Item No.	3S5052		
				List Price	\$55.00		

E SERIES - MD LEVER STYLE GRADE 2 HEAVY DUTY CYLINDRICAL LEVERSET



Model	Function	WT/LB	CTN QTY	US26D Satin Chrome		US19 Matte Black	
				US26D Satin Chrome	US19 Matte Black	US26D Satin Chrome	US19 Matte Black
500-E-MD	Entrance	29 lb	6 Pcs	Item No.	3M5002	3M5009	
				List Price	\$135.00	\$149.00	
504-E-MD	Storeroom	29 lb	6 Pcs	Item No.	3M5042	3M5049	
				List Price	\$142.00	\$154.00	
509-E-MD	Classroom	29 lb	6 Pcs	Item No.	3M5092	3M5099	
				List Price	\$142.00	\$154.00	
501-E-MD	Passage	26 lb	6 Pcs	Item No.	3M5012	3M5019	
				List Price	\$112.00	\$123.00	
502-E-MD	Privacy	26 lb	6 Pcs	Item No.	3M5022	3M5029	
				List Price	\$115.00	\$127.00	
515-E -MD	Dummy	18 lb	12 Pcs	Item No.	3M5052	3M5059	
				List Price	\$55.00	\$61.00	

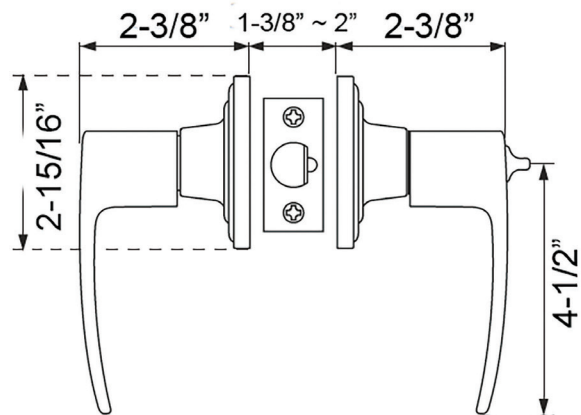
DELANEY LEVERSETS GRADE 2

Specifications

Door Prep	Cross bore: 2-1/8" Edge bore: 1" Latch face: 1" x 2-1/4"	Latches	Entrance: 2-3/8" & 2-3/4" adjustable (9060 UL) Passage/Privacy: 2-3/8" & 2-3/4" adjustable (9064) Faceplate: 1" x 2-1/4" round corner Bolt: 1/2" throw. Meets 3-Hr Fire Rating
Backset	Adjustable 2-3/8" and 2-3/4"	Strikes	1-1/8" x 2-3/4" T-strike (9101)
Door Thickness	1-3/8" ~ 2"	Door Handing	Not Required
Cylinder	SD/MD: SC4 6-pin standard . KW1 5-pin optional Entries packed KA2, SC1 5-pin optional	Product Features	Concealed Mounting Screws Protective Sleeve Interlocking Screw Posts Push Button Locking Panic Proof
ANSI & Federal Standards	Meets requirements of BHMA/ANSI A156.2 Series 4000, GR2, 400,000 Cycles.		

RH SERIES - MD LEVER STYLE GRADE 2 MEDIUM TUBULAR LEVERSET

Shown in Satin Chrome

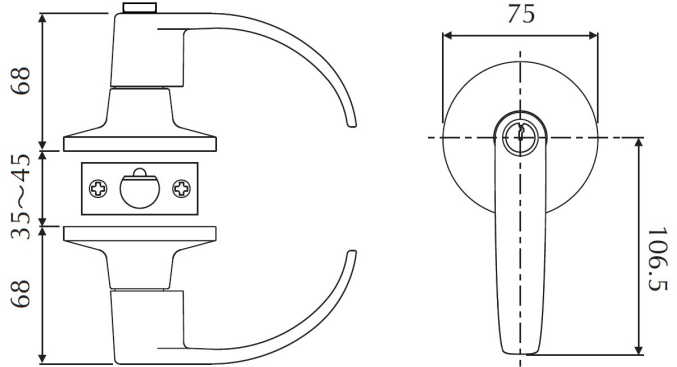


Model	Function	WT/LB	CTN QTY	US26D Satin Chrome	
500-RH-MD	Entrance	29 lb	10 Pcs	Item No.	321522
				List Price	\$100.00
504-RH-MD	Storeroom	29 lb	10 Pcs	Item No.	326522
				List Price	\$107.00
509-RH-MD	Classroom	29 lb	10 Pcs	Item No.	329522
				List Price	\$107.00
501-RH-MD	Passage	26 lb	10 Pcs	Item No.	324522
				List Price	\$92.00
502-RH-MD	Privacy	26 lb	10 Pcs	Item No.	322522
				List Price	\$94.00
515-RH-MD	Dummy	18 lb	20 Pcs	Item No.	325522
				List Price	\$44.00

DELANEY LEVERSETS GRADE 2

RH SERIES - SD STYLE GRADE 2 MEDIUM TUBULAR LEVERSET

Shown in Satin Chrome



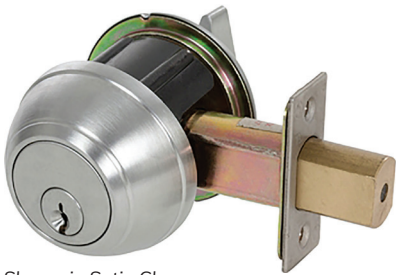
Model	Function	WT/LB	CTN QTY	US26D Satin Chrome	
500-RH-SD	Entrance	29 lb	10 Pcs	Item No.	371322
				List Price	\$100.00
504-RH-SD	Storeroom	29 lb	10 Pcs	Item No.	376322
				List Price	\$107.00
509-RH-SD	Classroom	29 lb	10 Pcs	Item No.	379322
				List Price	\$107.00
501-RH-SD	Passage	26 lb	10 Pcs	Item No.	374322
				List Price	\$92.00
502-RH-SD	Privacy	26 lb	10 Pcs	Item No.	372322
				List Price	\$94.00
515-RH-SD	Dummy	18 lb	20 Pcs	Item No.	375322
				List Price	\$44.00

Specifications

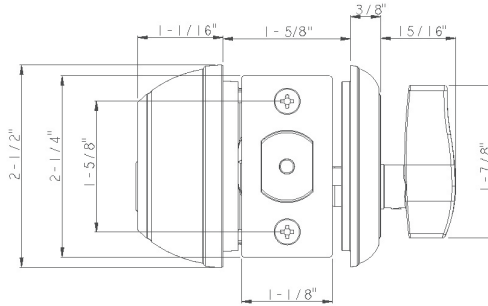
Door Prep	Cross bore: 2-1/8" Edge bore: 1" Latch face: 2-3/4: 1-1/8" x 2-1/4". 2-3/8": 1" x 2-1/4"	Latches	Deadbolt: 2-3/4" (9058) standard, 2-3/8" (9057) optional Faceplate: 2-3/4: 1-1/8" x 2-1/4". 2-3/8" 1" x 2-1/4" Sq. Corner Bolt: Full 1" throw. 3 Hr. Fire Rating
Backset	2-3/4" UL Latch standard, 2-3/8" optional	Strikes	1-1/8" x 2-1/4" (9121). Includes reinforcement plate
Door Thickness	1-9/16" ~ 2" door standard	Screws	Combination screws that suit both wood or metal door mounting Includes 3" Security Screws
Interchangeable Core	Optional small-format 6-pin available	Product Features	Protection Sleeve Hardened Steel Rod Latch Insert Free Spinning Cylinder Collar

LM SERIES GRADE 1 HEAVY DUTY DEADBOLTS

LM - SINGLE CYLINDER (200)



Shown in Satin Chrome



LM IC - SINGLE CYLINDER (200) - IC CORE

Shown in Satin Chrome

Model	Function	WT/LB	CTN QTY	US26D Satin Chrome	US26D IC Core (Less Core)
200-LM	Single Cylinder with Thumbturn	21 lb	12 Pcs	Item No.	301601
				List Price	\$96.00



(SFIC) Interchangeable
Core Available

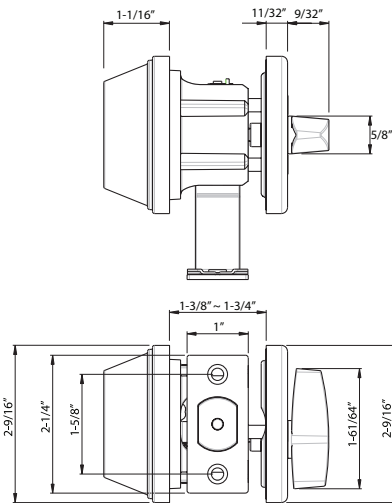
Model	Function	WT/LB	CTN QTY	US26D Satin Chrome	
Core Only	6-Pin SFIC Core Only	2 lb	10 Pcs	Item No.	300600C
				List Price	\$41.00

Specifications

Door Prep	Cross bore: 2-1/8" Edge bore: 1" Latch face: 1" x 2-1/4"	Latches	Deadbolt: 2-3/8" & 2-3/4" adjustable (9091 UL) Faceplate: 1" x 2-1/4" square corner Bolt: Full 1" throw. 3-Hr. Fire Rating
Backset	Fits 2-3/8" and 2-3/4"	Strikes	1-1/8" x 2-3/4" (9111). Includes reinforcement plate
Door Thickness	1-3/8" ~ 1-3/4" door standard	Door Handing	Not Required
Cylinder	SC4 6-pin standard . KW1 5-pin optional Deadbolts packed KA2, SC1 5-pin optional	Screws	Combination screws that suit both wood or metal door mounting Includes 3" Security Screws
Interchangeable Core	Optional small-format 6-pin available	Product Features	Protection Sleeve Free Spinning Cylinder Collar Hardened Steel Rod Latch Insert

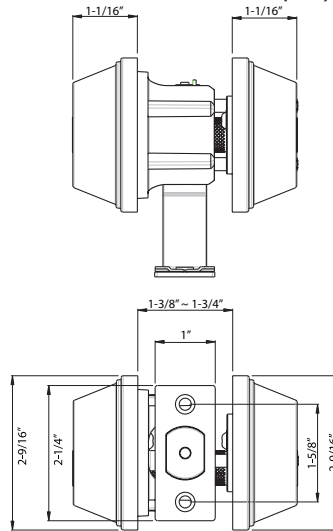
LU SERIES - GRADE 2 DEADBOLTS

LU - SINGLE CYLINDER (200)

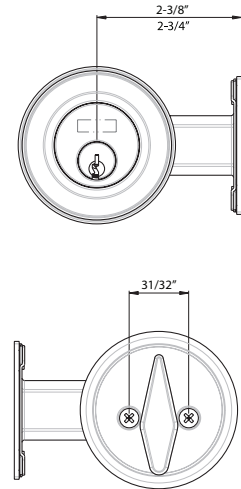


LU - SINGLE CYLINDER (200)
Shown in Satin Stainless Steel

LU - DOUBLE CYLINDER (210)



LU - DOUBLE CYLINDER (210)
Shown in Satin Chrome



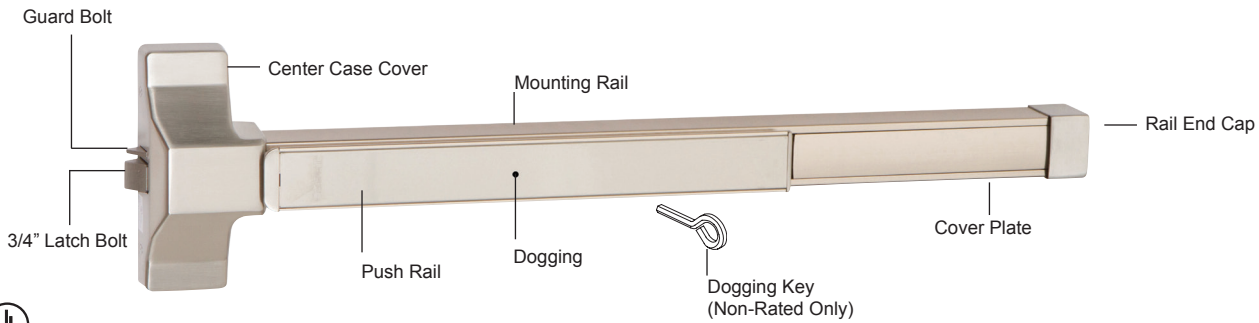
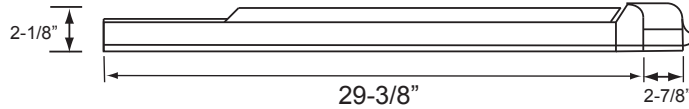
Model	Function	WT/LB	CTN QTY	US26D Satin Chrome	US32D Satin Stainless Steel	US19 Matte Black	
200-LU	Single Cylinder with Thumbturn	21 lb	20 Pcs	Item No.	300602	300601	300610
				List Price	\$57.00	\$60.00	\$63.00
210-LU	Double Cylinder	34 lb	20 Pcs	Item No.	320602	320601	320610
				List Price	\$62.00	\$65.00	\$68.00

DELANEY LEVERSETS GRADE 1

9000 SERIES RIM EXIT DEVICE / F9100 SERIES RIM FIRE EXIT DEVICE GRADE 1 HEAVY DUTY RIM TYPE EXIT DEVICES



Shown in Satin Stainless Steel



Specifications

**10 YEAR
WARRANTY**

Applications	Offices, Schools, Hospitals, Apartments, Hotel/Motels & other Public Buildings	Mounting	Furnished standard with wood & machine screws Sex nuts and bolts (1346) optional
Door Thickness	1-3/4" ~ 2" standard, 2-1/4" optional	Latchbolt	Zinc with 3/4" throw
Door Size	33" to 36". Bar can be easily field cut to size	Latchbolt Spring	Satin Stainless Steel throughout
Stile Width	Rim: 4-1/2" minimum stile width required Vertical Rod: 3-1/2" minimum stile width required	Strike	9000 Series (Non-Rated) #8170 Steel Roller Strike 2-3/4" Backset Optional Strike #8070 for 2-3/8" Backset 4-7/8 Blank Strike & 161 Edge Filler
Mounting Rail, Cover Plate	Anodized Aluminum (US28) or Stainless Steel (US32D)		F9000 Series (Fire Rated) #8070 Steel Roller Strike — 2-3/4" or 2-3/8" Backset 4-7/8" Blank Strike & 161 Edge Filler
UL Listed	Complies with UL 305 standards. Listed for safety as Panic Hardware		
Rating	ANSI 156.3 Grade 1		
Door Prep	Will cover stock hollow metal doors with 161 cutout	Center Case Cover	Satin Stainless Steel
		Handing	Non-Handed

9000 SERIES (NON-RATED) PANIC HARDWARE

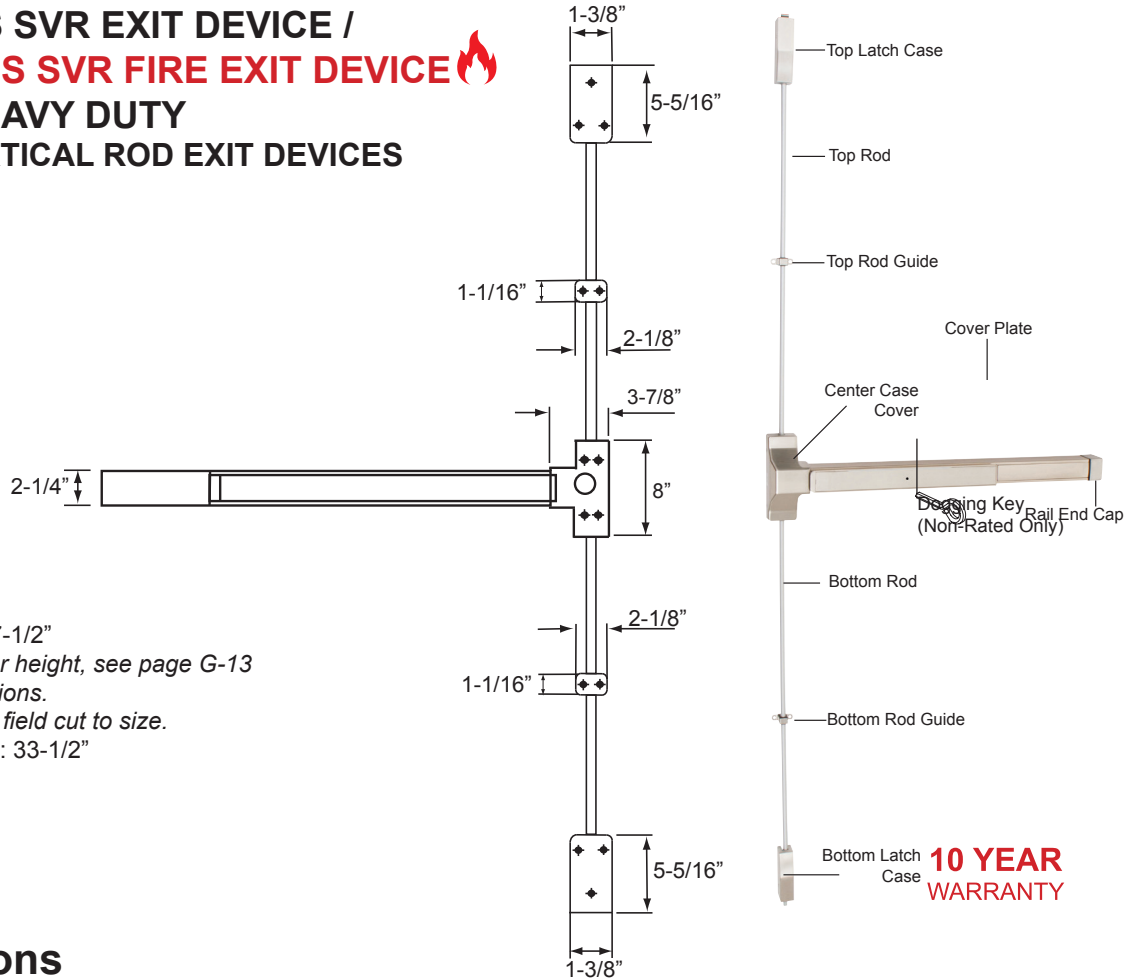
Model	Description	WT/ CTN	QTY/ CTN	US28 Satin Aluminum		US32D Satin Stainless Steel	
				Item No.	List Price	Item No.	List Price
9000-36	HD Rim Type Device for 36" Door	46 lb	4	691300	\$440.00	691301	\$480.00

F9000 SERIES (FIRE RATED) HARDWARE

Model	Description	WT/ CTN	QTY/ CTN	US28 Satin Aluminum		US32D Satin Stainless Steel	
				Item No.	List Price	Item No.	List Price
F9000-36	HD Fire Rim Type Device for 36" Door	46 Lbs	4	693300	\$520.00	693301	\$550.00
F9000-48	HD Fire Rim Type Device for 48" Door	48 Lbs	4			693302	\$600.00

DELANEY LEVERSETS GRADE 1

9100 SERIES SVR EXIT DEVICE / F9100 SERIES SVR FIRE EXIT DEVICE GRADE 1 HEAVY DUTY SURFACE VERTICAL ROD EXIT DEVICES



Top Rod Length: 37-1/2"
For 96" or 120" door height, see page G-13
for Top Rod Extensions.
All Top Rods easily field cut to size.
Bottom Rod Length: 33-1/2"
1/2" Round Tubing



Specifications

Applications	Offices, Schools, Hospitals, Apartments, Hotel/Motels & other Public Buildings	Latchbolt	Zinc
Door Size	33" to 36" x 84". Top Rod Extension Available (up to 10') Bar easily field cut to size	Latchbolt Spring	Satin Stainless Steel throughout
Stile Width	3-1/2" minimum stile width required	Strike	9100 Series (Non-Rated) #8171 Steel Strike for Top Case #8172 Zinc Strike for Bottom Case #8285 Overlapping Strike F9100 Series (Fire Rated) #8171 Steel Strike for Top Case #8178 Steel Strike for Bottom Case #8285 Overlapping Strike
Mounting Rail, Cover Plate	Anodized Aluminum (US28) or Stainless Steel (US32D)	Center Case Cover	Satin Stainless Steel
UL Listed	Complies with UL 305 standards Listed for safety as Panic Hardware	Door Thickness	1-3/4" ~ 2" standard, 2-1/4" optional
Door Prep	Will cover stock hollow metal doors with 161 cutout		
Mounting	Furnished standard with wood & machine screws Sex nuts and bolts (1346) optional		

9100 SERIES (NON-RATED) PANIC HARDWARE

Model	Description	WT/CTN	QTY/CTN	US32D Satin Stainless Steel
9100-3684	HD Vertical Rod Type Device for 36" X 84" Door	62 lb	4	Item No. 692301
				List Price \$650.00

F9100 SERIES (FIRE RATED)

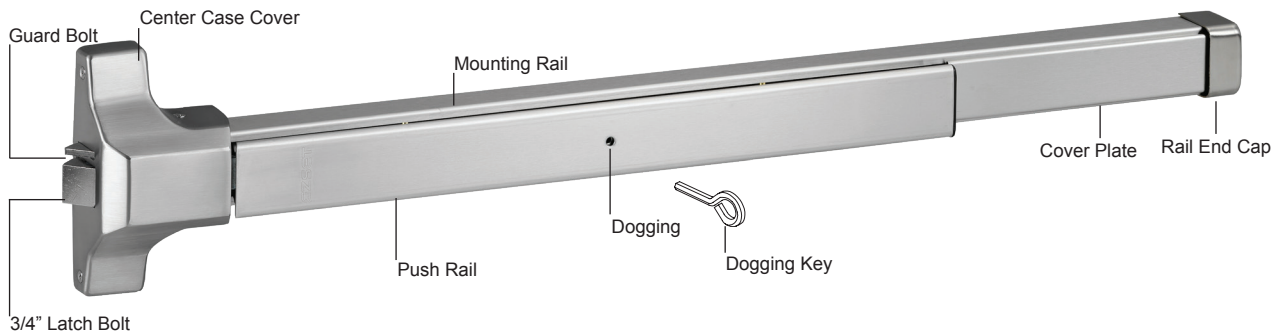
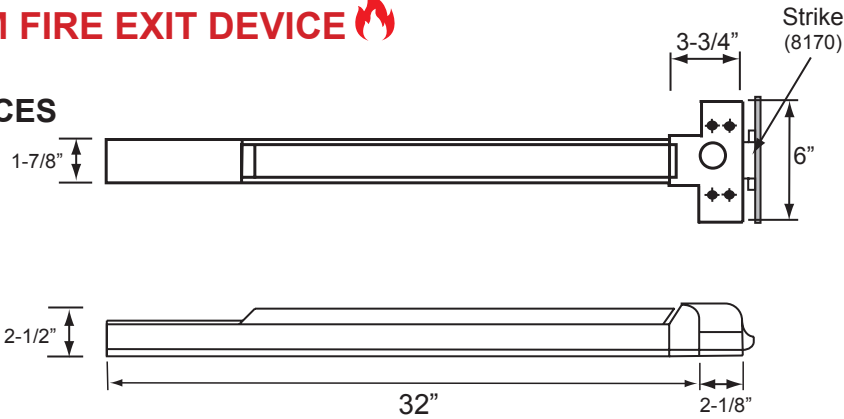
Model	Description	WT/CTN	QTY/CTN	US28 Satin Aluminum	US32D Satin Stainless Steel
F9100-3684	HD Fire Vertical Rod Type Device for 36" X 84" Door	62 lb	4	Item No. 694300	694301
				List Price \$680.00	\$700.00

DELANEY COMMERCIAL EXIT DEVICES

DELANEY LEVERSETS GRADE 1

8000 SERIES RIM EXIT DEVICE / F8000 SERIES RIM FIRE EXIT DEVICE GRADE 1 RIM TYPE EXIT DEVICES

Shown in Satin Aluminum



Specifications

**10 YEAR
WARRANTY**

Applications	Offices, Schools, Hospitals, Apartments, Hotel/Motels & other Public Buildings	Mounting	Furnished standard with wood & machine screws Sex nuts and bolts (1346) optional.
Door Thickness	1-3/4" ~ 2" standard, 2-1/4" optional	Latchbolt	Zinc with 3/4" throw
Door Size	33" to 36". Bar can be easily field cut to size	Latchbolt Spring	Satin Stainless Steel throughout
Stile Width	4-1/2" minimum stile width required	Guard Bolt	Zinc Alloy
Mounting Rail, Cover Plate	Painted Aluminum, Painted Black, Painted Bronze or Satin Stainless Steel (US32D)	Strike	8000 Series (Non-Rated) #8170 Steel Roller Strike 2-3/4" Backset Optional Strike #8070 for 2-3/8" Backset F8000 Series (Fire Rated) #8070 Steel Roller Strike — 2-3/4" or 2-3/8" Backset
UL Listed	Complies with UL 305 standards Listed for safety as Panic Hardware	Center Case Cover	Zinc Alloy
Rating	ANSI 156.3 Grade 1	Handing	Non Handed
Door Prep	Will cover stock hollow metal doors with 161 cutout		

8000 SERIES (NON-RATED) PANIC HARDWARE

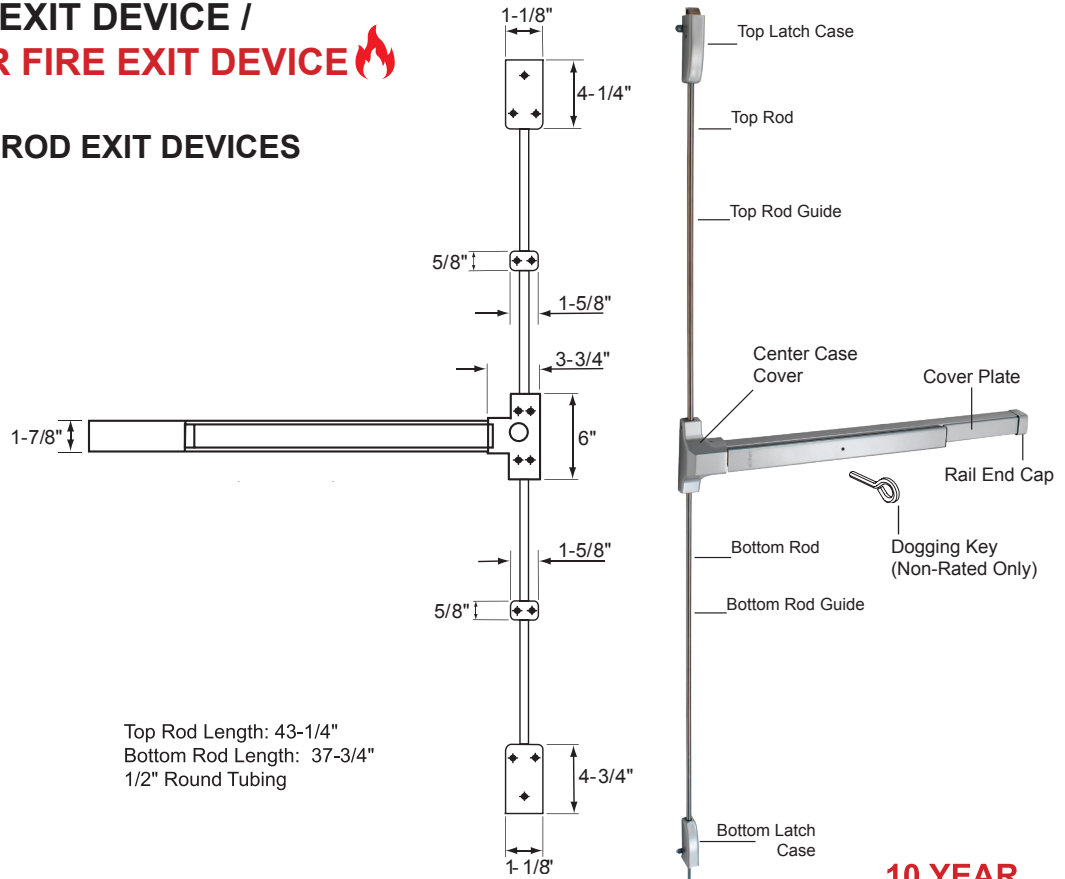
Model	Description	WT/ CTN	QTY/ CTN	Aluminum Painted	US32D Satin Stainless Steel	Matte Black Painted	Dark Bronze Painted	
8000-36	Rim Type Device for 36" Door	52 lb	6	Item No.	681300	681301	681309	681302
				List Price	\$230.00	\$245.00	\$253.00	\$242.00

F8000 SERIES (FIRE-RATED)

Model	Description	WT/ CTN	QTY/ CTN	Aluminum Painted	US32D Satin Stainless Steel	Matte Black Painted	Dark Bronze Painted	
F8000-36	Fire Rim Type Device for 36" Door	52 lbs	6	Item No.	683300	683301	683309	683302
				List Price	\$260.00	\$360.00	\$286.00	\$273.00
F8000-48	Fire Rim Type Device for 48" Door	60 lbs	6	Item No.	—	683401		
				List Price		\$400.00		

DELANEY LEVERSETS GRADE 1

8100 SERIES SVR EXIT DEVICE / F8100 SERIES SVR FIRE EXIT DEVICE GRADE 1 SURFACE VERTICAL ROD EXIT DEVICES



Top Rod Length: 43-1/4"
Bottom Rod Length: 37-3/4"
1/2" Round Tubing

**10 YEAR
WARRANTY**



Specifications

Applications	Offices, Schools, Hospitals, Apartments, Hotels & other Public Buildings	Latchbolt	Zinc
Door Size	33" to 36" x 84". Top Rod Extension Available (up to 10') Bar easily field cut to size	Latchbolt Spring	Satin Stainless Steel throughout
Stile Width	3-1/2" minimum stile width required	Strike	8100 Series (Non-Rated) #8171 Steel Strike for Top Case #8172 Zinc Strike for Bottom Case
Mounting Rail, Cover Plate	Painted Aluminum, Painted Dark Bronze, Painted Black or Satin Stainless Steel (US32D)		F8100 Series (Fire Rated) #8171 Steel Strike for Top Case #8178 Steel Strike for Bottom Case
UL Listed	Complies with UL 305 standards Listed for safety as Panic Hardware		
Door Thickness	1-3/4" ~ 2" standard, 2-1/4" optional		
Door Prep	Will cover stock hollow metal doors with 161 cutout	Center Case Cover	Zinc Alloy
Mounting	Furnished standard with wood & machine screws Sex nuts and bolts (1346) optional.	Handing	Reversible

8100 SERIES (NON-RATED) PANIC HARDWARE

Model	Description	WT/ CTN	QTY/ CTN	Aluminum Painted	US32D Satin Stainless Steel	Matte Black Painted	Dark Bronze Painted	
8100-3684	Vertical Rod Type Device for 36" X 84" Door	65 lb	6	Item No.	682300	682301	682309	682302
				List Price	\$330.00	\$350.00	\$363.00	\$357.00

F8100 SERIES (FIRE-RATED)

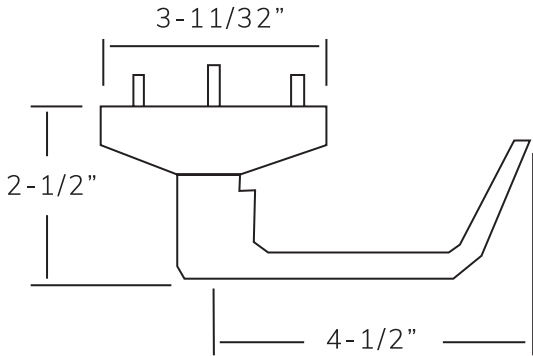
Model	Description	WT/ CTN	QTY/ CTN	Aluminum Painted	US32D Satin Stainless Steel	Matte Black Painted	Dark Bronze Painted	
F8100-3684	Fire Vertical Rod Type Device for 36" x 84" Door	52 lbs	6	Item No.	684300	684301	684309	684302
				List Price	\$400.00	\$450.00	\$440.00	\$420.00
F8100-4884	Fire Vertical Rod Type Device for 48" x 84" Door	60 lbs	6	Item No.	—	684401		
				List Price		\$500.00		

DELANEY COMMERCIAL EXIT DEVICES

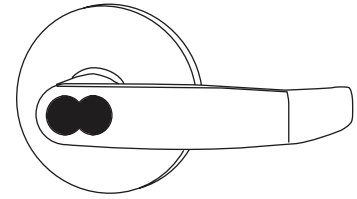
DELANEY EXIT DEVICE TRIM

500L SERIES EXIT DEVICE TRIM STANDARD EXTERIOR LEVER TRIM

Shown in Satin Chrome



500L or 504L Series*
Entrance or Night Latch
Function



500L-IC or 504L-IC Series
Entrance or Night Latch Function
(CT Style Only)

Interchangeable Core Design compatible with
Small Format Interchangeable Core 6-Pin See
page 150.



501L Series*
Passage Function



(SFIC) Interchangeable
Core Available
CT Lever Only



ADA Compliant

Specifications

*Above products shown as CT Levers.
SD & MD Levers also available.

Functions:		Door Thickness	1-3/4" - 2" Standard
Entrance	Entrance by lever Key retracts latchbolt & unlocks lever		
Night Latch	Entrance by lever when released by key Otherwise always locked	Cylinder	Schlage C-6-Pin Keyway standard KW1-5 Pin optional SFIC 6-Pin available (CT style only)
Passage	Entrance by lever (no cylinder) Lever always active.	Door Prep	Will cover stock hollow metal doors with 161 cutout

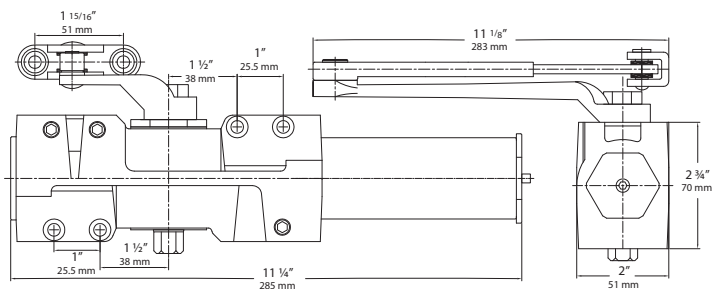
Model	Description	QTY/ CTN		US19 Matte Black	US26D Satin Chrome	Dark Bronze
500L	CT Lever Trim - Entrance	6	Item No.	699119	699112	699115
			List Price	\$100.00	\$100.00	\$100.00
504L	CT Lever Trim - Night Latch	6	Item No.	699129	699122	699125
			List Price	\$100.00	\$100.00	\$100.00
501L	CT Lever Trim - Passage	6	Item No.	699139	699132	699135
			List Price	\$90.00	\$90.00	\$90.00
500L-IC	CT Lever Trim - Entrance for IC Core <i>Core Not Included</i>	6	Item No.	—	699102	—
			List Price		\$100.00	
504L-IC	CT Lever Trim - Night Latch for IC Core <i>Core Not Included</i>	6	Item No.	—	699142	—
			List Price		\$100.00	
500L	SD Lever Trim - Entrance	6	Item No.	698119	698112	—
			List Price	\$100.00	\$100.00	
504L	SD Lever Trim - Night Latch	6	Item No.	698129	698122	—
			List Price	\$100.00	\$100.00	
501L	SD Lever Trim - Passage	6	Item No.	698139	698132	—
			List Price	\$90.00	\$90.00	
500L	MD Lever Trim - Entrance	6	Item No.	697119	697112	697115
			List Price	\$100.00	\$100.00	\$100.00
504L	MD Lever Trim - Night Latch	6	Item No.	697129	697122	697125
			List Price	\$100.00	\$100.00	\$100.00
501L	MD Lever Trim - Passage	6	Item No.	697139	697132	697135
			List Price	\$90.00	\$90.00	\$90.00

8000 SERIES CAST IRON DOOR CLOSER

Power Size 1-6 (Preset Size 3)

UL LISTED

10 YEAR WARRANTY



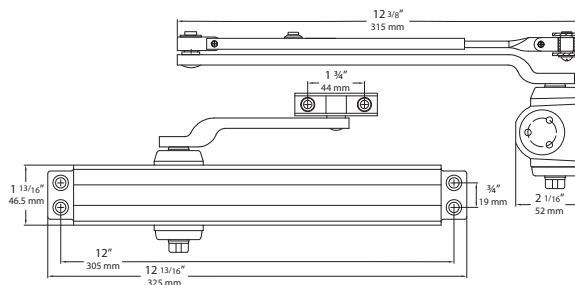
Model	WT/CTN	QTY/CTN	Aluminum Painted	Dark Bronze Painted
8000 Series Door Closer with Standard Full Cover	26 lb	2 Pcs	Item No. 608810	608811
			List Price	\$215.00
8000 Series Door Closer with Delay Action (DA) & Standard Full Cover	26 lb	2 Pcs	Item No. 608840	608841
			List Price	\$237.00

6000 SERIES CAST ALUMINUM DOOR CLOSER

Power Size 1-6 (Preset Size 3)

UL LISTED

10 YEAR WARRANTY



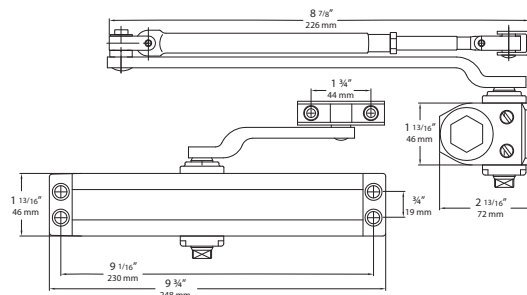
Model	WT/CTN	QTY/CTN	Aluminum Painted	Matte Black Painted	Dark Bronze Painted
6000 Series Door Closer with Standard Full Cover	44 lb	4 Pcs	Item No. 606710	606719	606711
			List Price	\$145.00	\$160.00
6000 Series Door Closer with Delay Action (DA) & Standard Full Cover	44 lb	4 Pcs	Item No. 606740		606741
			List Price	\$160.00	

4400 SERIES DOOR CLOSER

Power Size 1-4 (Preset Size 2)

UL LISTED

10 YEAR WARRANTY



Model	WT/CTN	QTY/CTN	Aluminum Painted	Dark Bronze Painted
4400 Series Door Closer with Standard Full Cover	62 lb	10 Pcs	Item No. 604410	604411
			List Price	\$115.00

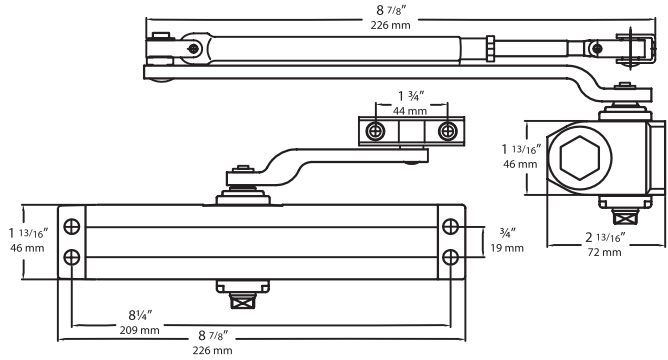
DELANEY DOOR CLOSERS

3000 SERIES

Power Size 3



**5 YEAR
WARRANTY**

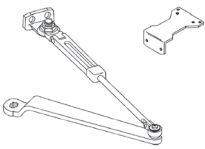
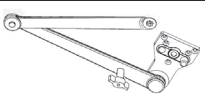
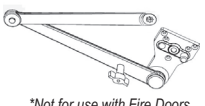
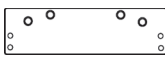

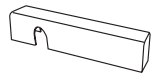


SPECIFICATIONS

- Meets ANSI 156.4 Grade 2
- UL Listed, 3-Hour Fire Rating
- Fixed Size 3 Closer
- Independent Latch & Sweep
- Heavy Duty Rack & Pinion
- Heat treated High Tension Piston
- High lubricity hydraulic fluid to ensure smooth operation
- Standard arm and parallel bracket included for regular arm, top jamb, and parallel arm applications
- Standard Arm Installation allows door to swing 180°
- Non-Handed

Model	WT/CTN	QTY/CTN	Matte Black Painted		Aluminum Painted
			Item No.	603300	603301
3000 Series Door Closer	62 lb	10 Pcs	List Price	\$88.00	\$80.00

DOOR CLOSER PARTS

	Description	Finish	Item No.	CTN QTY	WT/CTN	List Price
 With Parallel Bracket *Can not use Hold Open Arm for Fire Doors	Friction Hold Open Arm - 8000	Aluminum	600840	12	33 lb	\$65.00
	Friction Hold Open Arm - 8000	Dark Bronze	600841	12	33 lb	\$35.00
	Friction Hold Open Arm - 6000 (with parallel Bracket)	Aluminum	600640	12	33 lb	\$45.00
	Friction Hold Open Arm - 6000 (with parallel Bracket)	Dark Bronze	600641	12	33 lb	\$45.00
	Friction Hold Open Arm - 6000/4400	Aluminum	600440	12	33 lb	\$45.00
	Friction Hold Open Arm - 6000/4400	Dark Bronze	600441	12	33 lb	\$45.00
	Parallel Rigid Cush Arm - 8000	Aluminum	600850	12	33 lb	\$60.00
	Parallel Rigid Cush Arm - 8000	Dark Bronze	600851	12	33 lb	\$60.00
	Parallel Rigid Cush Arm - 6000	Dark Bronze	600651	12	33 lb	\$60.00
	Hold Open Cush Arm for 8000	Aluminum	600860	12	46 lb	\$63.00
 *Not for use with Fire Doors	Hold Open Cush Arm for 8000	Dark Bronze	600861	12	46 lb	\$63.00
	Hold Open Cush Arm for 6000	Aluminum	600660	12	51 lb	\$63.00
	Hold Open Cush Arm for 6000	Dark Bronze	600661	12	51 lb	\$63.00
	Sex Bolt w/ Screw (All Series)	Aluminum	600180	4 Pcs/Set		\$7.00
	Sex Bolt w/ Screw (All Series)	Dark Bronze	600181	4 Pcs/Set		\$7.00
	8000-Series Drop Plate	Aluminum	600820	20 Pcs	66 lb	\$26.00
	8000-Series Drop Plate	Dark Bronze	600821	20 Pcs	66 lb	\$26.00
	6000/6000S-Series Drop Plate	Aluminum	600620	20 Pcs	40 lb	\$26.00
	6000/6000S-Series Drop Plate	Dark Bronze	600621	20 Pcs	40 lb	\$26.00
	6000S Replacement Slim Cover Only	Aluminum	600610			\$9.00
	6000S Replacement Slim Cover Only	Dark Bronze	600611			\$9.00
	6000 Replacement Cover Only	Aluminum	600630			\$17.00
	6000 Replacement Cover Only	Dark Bronze	600631			\$17.00
	8000 Replacement Cover Only	Aluminum	600830			\$17.00
	8000 Replacement Cover Only	Dark Bronze	600831			\$17.00

DELANEY DOOR CLOSERS

PRODUCT SPECIFICATIONS

- ANSI 156.4 Grade 1
- UL / UL10C listed, 3-hour fire rating
- Compliant with ADA reduced opening force requirements
- Adjustable power size
- Independent latch, sweep & backcheck intensity valve
- Heavy duty rack & pinion
- Heat treated high tension piston
- High lubricity hydraulic fluid to ensure smooth operation
- Standard arm and parallel bracket included for regular arm, top jamb, and parallel arm applications
- Standard arm Installation allows door to swing 180°
- Sex Bolts included
- Non-Handed

Power Size	MAXIMUM SIZE OF DOOR (RECOMMENDED)				
	Regular Arm			Parallel Arm	
	Interior	Exterior Swing-In	Exterior Swing-Out	Interior	Exterior Swing-Out
1	28"	N/A	N/A	N/A	N/A
2	36"	N/A	N/A	30"	N/A
3	42"	30"	36"	36"	30"
4	48"	36"	42"	42"	36"
5	54"	42"	48"	48"	42"
6	60"	48"	54"	54"	48"

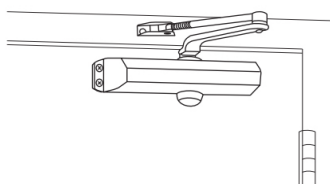
Series	Power Size (Adjustable)	Duty	Door Weight	Function Availability			Optional Accessories						
				Back Check	Delay Action	ADA	Hold Open Arm	Parallel Rigid Arm	Hold Open CUSH Arm	Drop Plate	Thru Bolts	Cover	
8000	No. 1-6	Heavy	33 - 300 Lbs	●		●	●	●	●	●	●	●	●
8000 DA	No. 1-6	Heavy	33 - 300 Lbs		●	●	●	●	●	●	●	●	●
6000	No. 1-6	Medium-Heavy	55 - 300 Lbs	●		●	●	●	●	●	●	●	●
4400	No. 1-4	Light-Medium	33 - 187 Lbs	●		●	●					●	●
3000	No. 3	Light	99 - 143 Lbs									●	

CROSS REFERENCE

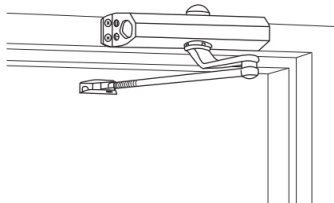
DELANEY	NORTON	YALE	DOR-O-MATIC	INTERNATIONAL	DORMA	LCN	SARGENT	CAL-ROYAL
8000 Series	7500	4400		4400	8900	4040XP		CR441
6000 Series	8501	3501	SC81	5000	8600	1461	1431	CR801-BF
4400 Series	1601BF	51BF	SC61				1131	300-PBFCOV
3000 Series	1600	50	SC90	650/750		1050		400

All Closers Tri-Packed for Three Installation Options

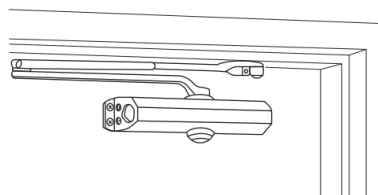
REGULAR ARM INSTALLATION
Closer is installed on PULL/HINGE side of door



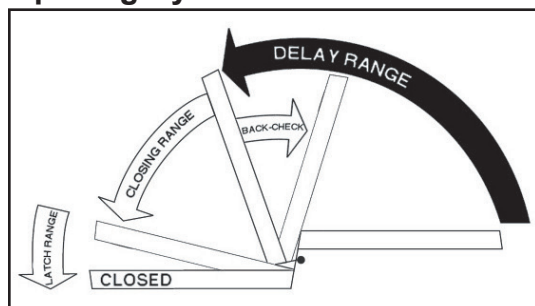
TOP JAMB INSTALLATION
Closer is installed on frame on PUSH/STOP side of door



PARALLEL ARM INSTALLATION
Closer is installed on PUSH/STOP side of door



Opening Cycle



Top Rail Guide

8000 Series	6000 Series
• RA: 3 1/2"	• RA: 3"
• PA: 5"	• PA: 4"
4400 Series	3000 Series
• RA: 2 3/8"	• RA: 2"
• PA: 4 5/8"	• PA: 4"

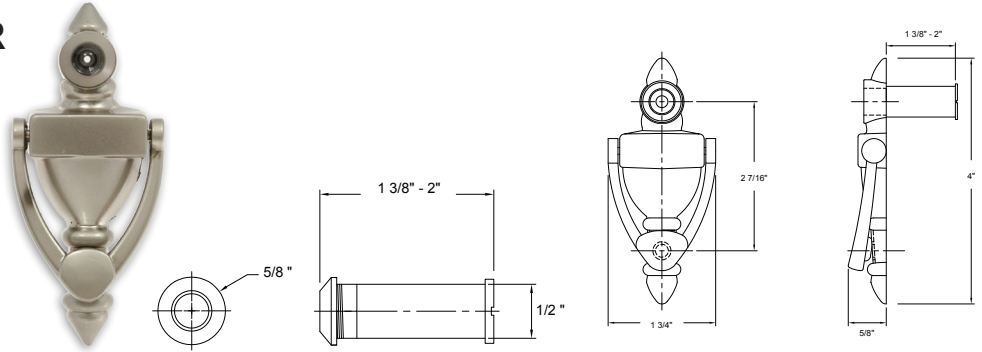
TRIM HARDWARE & HINGES

Pocket Door Locks
Door Knockers & Viewers
Plates & Pulls
Exterior Shutter Hardware
Handrail Brackets
Surface & Flush Bolts
Door Stops
Closet Hardware
Hinges



Contemporary Square Pocket Door Lock
in Matte Black

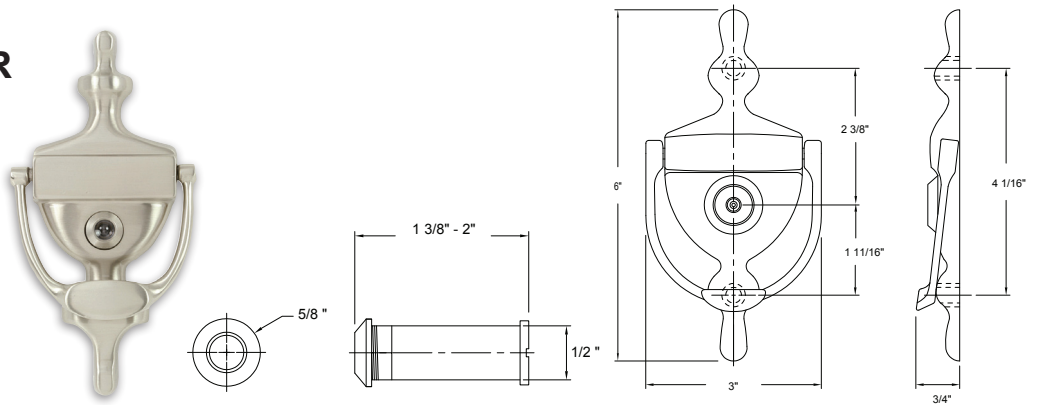
4" DOOR KNOCKER WITH 160° VIEWER



Base Metal: Brass

	Description	Finish	Item No.	List Price	CTN QTY	WT/ CTN
	4" Door Knocker w/ 160° Viewer	US15	400410	\$11.60	50	10 lb
	4" Door Knocker w/ 160° Viewer	US10B	400210	\$11.60	50	10 lb
	4" Door Knocker w/ 160° Viewer	US19	400310	\$11.60	50	10 lb
	4" Door Knocker w/ 160° Viewer	US26	400149	\$11.60	50	10 lb
	4" Door Knocker w/ 160° UL Viewer	US15	400410UL	\$15.60	50	10 lb
	4" Door Knocker w/ 160° UL Viewer	US19	400310UL	\$15.60	50	10 lb

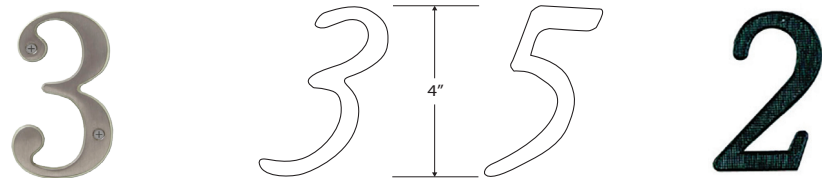
6" DOOR KNOCKER W/ 160° VIEWER



Base Metal: Brass

	Description	Finish	Item No.	Price List	CTN QTY	WT/ CTN
	6" Solid Brass Door Knocker w/ Viewer	US3	400145	\$24.00	50	10 lb
	6" Solid Brass Door Knocker w/ Viewer	US15	400146	\$24.00	50	10 lb
	6" Solid Brass Door Knocker w/ Viewer	US10B	400147	\$24.00	50	10 lb

4" METAL HOUSE NUMBERS

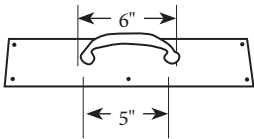


Base Metal: Matte Black-Zinc; US15-Brass

	Description	Finish	Item No.	Price List	CTN QTY	WT/ CTN
	Metal 4" House Numbers	Matte Black	420500(0-9)	\$2.30	500	21 lbs
	Metal 4" House Numbers (Solid Brass)	US15	Z38(0-9)15	\$13.00	200	10 lbs

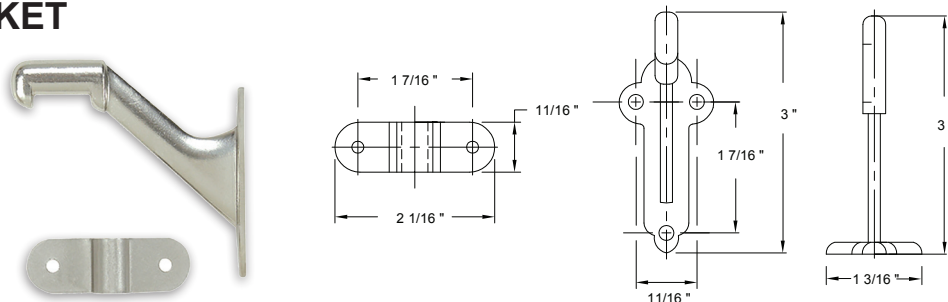
PULL PLATES, PUSH PLATES, & KICK PLATES

Base Metal: Solid Brass or Satin Stainless Steel

	Description	Finish	Item No.	List Price	CTN QTY	WT/CTN
	3-1/2" x 15" Satin Stainless Steel Pull Plate	US32D	490002	\$73.60	10	16 lb
	3-1/2" x 15" Solid Brass Pull Plate	US10B	490010	\$84.30	10	16 lb
	4" x 16" Satin Stainless Steel Pull Plate	US32D	490500	\$73.60	10	16 lb
	4" x 16" Solid Brass Pull Plate	US10B	490110	\$84.30	10	16 lb
	3-1/2" x 15" Satin Stainless Steel Push Plate	US32D	490502	\$25.30	10	12 lb
	3-1/2" x 15" Solid Brass Push Plate	US10B	490510	\$40.60	10	12 lb
	4" x 16" Satin Stainless Steel Push Plate	US32D	490600	\$25.30	10	12 lb
	4" x 16" Solid Brass Push Plate	US10B	490011	\$40.60	10	12 lb
	6" x 34" Satin Stainless Steel Kick Plate w/ Screws	US32D	496342	\$57.90	10	20 lb
	6" x 34" Solid Brass Kick Plate w/ Screws	US10B	496349	\$120.30	10	24 lb
	8" x 34" Solid Brass Kick Plate w/ Screws	US3	498034	\$122.30	10	22 lb
	8" x 34" Satin Stainless Steel Kick Plate w/ Screws	US32D	498342	\$70.30	10	22 lb
	8" x 34" Solid Brass Kick Plate w/ Screws	US10B	498349	\$153.60	10	22 lb
	8" x 34" Solid Brass Kick Plate w/ Screws	US15	498341	\$135.00	10	22 lb
	8" x 34" Anodized Kick Plate w/ Screws	US15	498142	\$135.00	10	12 lb
	8" x 34" Anodized Kick Plate w/ Screws	US10B	498149	\$153.60	10	12 lb

Call for additional sizes and finishes.

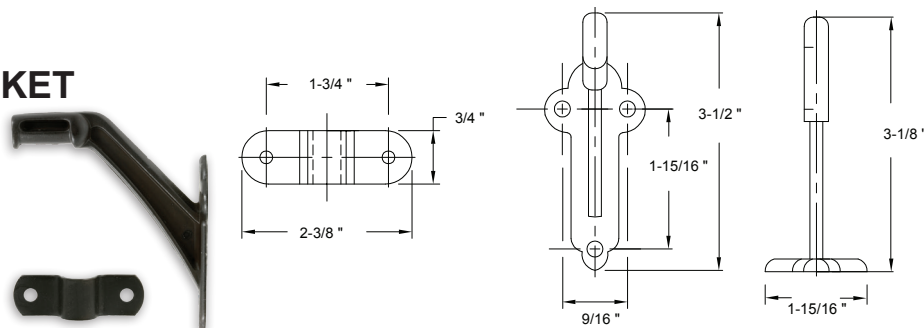
3" HANDRAIL BRACKET



Base Metal: Zinc

	Description	Finish	Item No.	List Price	CTN QTY	WT/ CTN
	3" Handrail Bracket	US3	406102	\$3.00	250	40 lbs
	3" Handrail Bracket	US26	406105	\$3.00	250	40 lbs
	3" Handrail Bracket	US15A	406107	\$3.00	250	40 lbs
	3" Handrail Bracket	US15	406106	\$3.00	250	40 lbs
	3" Handrail Bracket	US10B	406110	\$3.00	250	40 lbs

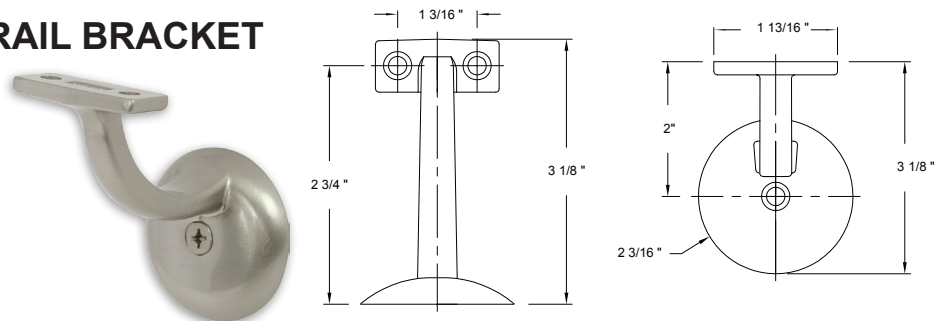
HEAVY DUTY 3 1/2" HANDRAIL BRACKET



Base Metal: Zinc

	Description	Finish	Item No.	List Price	CTN QTY	WT/ CTN
	3 1/2" Heavy Duty Hand Rail Bracket	US3	406152	\$6.30	200	53 lbs
	3 1/2" Heavy Duty Hand Rail Bracket	US15	406159	\$6.30	200	53 lbs
	3 1/2" Heavy Duty Hand Rail Bracket	US10B	406150	\$6.30	200	53 lbs
	3 1/2" Heavy Duty Hand Rail Bracket	US19	406154	\$6.30	200	53 lbs

DECORATIVE HANDRAIL BRACKET

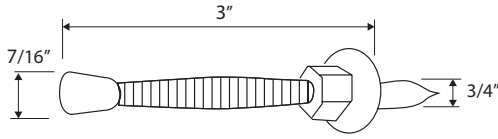



Base Metal: Zinc

	Description	Finish	Item No.	List Price	CTN QTY	WT/ CTN
	Decorative Hand Rail Bracket	US3	406100	\$14.00	100	33 lbs
	Decorative Hand Rail Bracket	US15	406111	\$14.00	100	33 lbs
	Decorative Hand Rail Bracket	US10B	406118	\$14.00	100	33 lbs
	Decorative Hand Rail Bracket	US19	406114	\$14.00	100	33 lbs

SPRING DOOR STOP

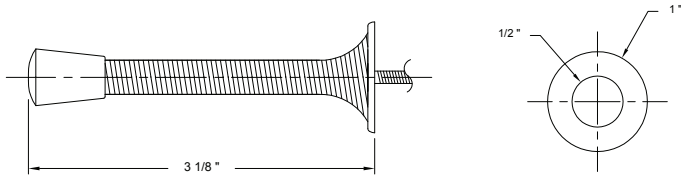
Base Metal: Zinc




	Description	Finish	Item No.	List Price	CTN QTY	WT/CTN
	Spring Door Stop 3"	US15	402102	\$0.85	1000	40 lbs
	Spring Door Stop 3" w/ Matte Black Tip	US10B	402100	\$0.85	1000	40 lbs

JUMBO SPRING DOOR STOP

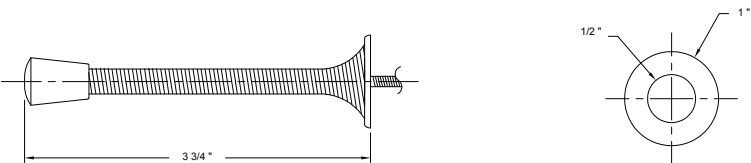
Base Metal: Zinc




	Description	Finish	Item No.	List Price	CTN QTY	WT/CTN
	Jumbo Spring Door Stop 3"	US3	402511	\$1.05	500	33 lbs
	Jumbo Spring Door Stop 3"	US5	402519	\$1.20	500	33 lbs
	Jumbo Spring Door Stop 3"	US26	402516	\$1.20	500	33 lbs
	Jumbo Spring Door Stop 3"	US15	402518	\$1.20	500	33 lbs
	Jumbo Spring Door Stop 3" w/ Matte Black Tip	US15A	402517	\$1.20	500	33 lbs
	Jumbo Spring Door Stop 3" w/ Matte Black Tip	US10B	402510	\$1.30	500	33 lbs
	Jumbo Spring Door Stop 3" w/ Matte Black Tip	US19	402514	\$1.60	500	33 lbs

3-3/4" SPRING DOOR STOP

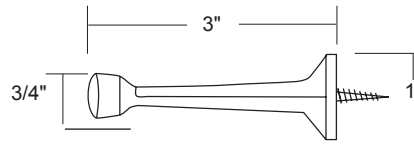
Base Metal: Zinc




	Description	Finish	Item No.	List Price	CTN QTY	WT/CTN
	Spring Door Stop 3 3/4"	US15	402118	\$1.30	500	37 lbs
	Spring Door Stop 3 3/4" w/ Matte Black Tips	US15A	402113	\$1.30	500	37 lbs
	Spring Door Stop 3 3/4" w/ Matte Black Tips	US10B	402108	\$1.40	500	37 lbs

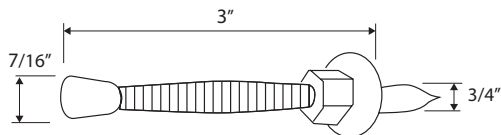
HD RIGID DOOR STOP

Base Metal: Zinc




	Description	Finish	Item No.	List Price	CTN QTY	WT/CTN
	H.D. Rigid Door Stop 3"	US3	402150	\$1.60	250	24 lbs
	H.D. Rigid Door Stop 3"	US26	402170	\$1.90	250	24 lbs
	H.D. Rigid Door Stop 3" w/ Matte Black Tips	US15A	402185	\$1.90	250	24 lbs
	H.D. Rigid Door Stop 3"	US15	402190	\$1.90	250	24 lbs
	H.D. Rigid Door Stop 3" w/ Matte Black Tips	US10B	402175	\$2.15	250	24 lbs
	H.D. Rigid Door Stop 3" w/ Matte Black Tips	US19	402195	\$2.25	250	24 lbs
	920 Solid Brass Door Stop US15	US15	BV920001	\$16.00	250	24 lbs
	920 Solid Brass Door Stop US10B	US10B	BV920002	\$16.00	250	24 lbs
	920 Solid Brass Door Stop US26	US26	BV920003	\$16.00	250	24 lbs

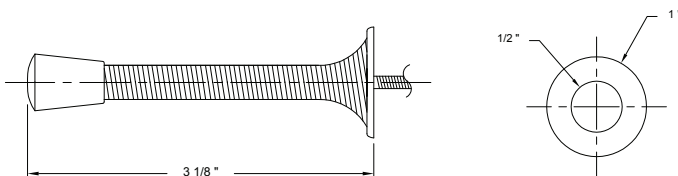
SPRING DOOR STOP




Base Metal: Zinc

	Description	Finish	Item No.	List Price	CTN QTY	WT/CTN
	Spring Door Stop 3"	US15	402102	\$0.85	1000	40 lbs
	Spring Door Stop 3" w/ Matte Black Tip	US10B	402100	\$0.85	1000	40 lbs

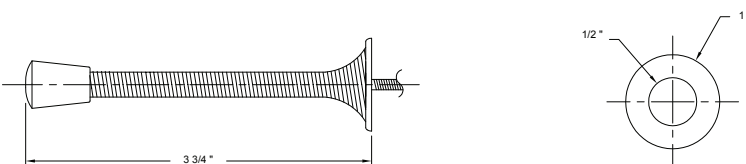
JUMBO SPRING DOOR STOP




Base Metal: Zinc

	Description	Finish	Item No.	List Price	CTN QTY	WT/CTN
	Jumbo Spring Door Stop 3"	US3	402511	\$1.05	500	33 lbs
	Jumbo Spring Door Stop 3"	US5	402519	\$1.20	500	33 lbs
	Jumbo Spring Door Stop 3"	US26	402516	\$1.20	500	33 lbs
	Jumbo Spring Door Stop 3"	US15	402518	\$1.20	500	33 lbs
	Jumbo Spring Door Stop 3" w/ Matte Black Tip	US15A	402517	\$1.20	500	33 lbs
	Jumbo Spring Door Stop 3" w/ Matte Black Tip	US10B	402510	\$1.30	500	33 lbs
	Jumbo Spring Door Stop 3" w/ Matte Black Tip	US19	402514	\$1.60	500	33 lbs

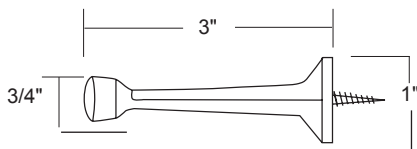
3-3/4" SPRING DOOR STOP




Base Metal: Zinc

	Description	Finish	Item No.	List Price	CTN QTY	WT/CTN
	Spring Door Stop 3 3/4"	US15	402118	\$1.30	500	37 lbs
	Spring Door Stop 3 3/4" w/ Matte Black Tips	US15A	402113	\$1.30	500	37 lbs
	Spring Door Stop 3 3/4" w/ Matte Black Tips	US10B	402108	\$1.40	500	37 lbs

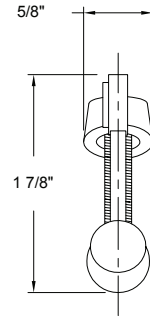
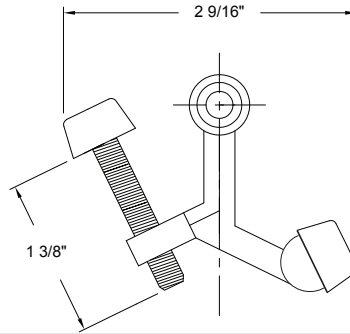
HD RIGID DOOR STOP



Base Metal: Zinc

	Description	Finish	Item No.	List Price	CTN QTY	WT/CTN
	H.D. Rigid Door Stop 3"	US3	402150	\$1.60	250	24 lbs
	H.D. Rigid Door Stop 3"	US26	402170	\$1.90	250	24 lbs
	H.D. Rigid Door Stop 3" w/ Matte Black Tips	US15A	402185	\$1.90	250	24 lbs
	H.D. Rigid Door Stop 3"	US15	402190	\$1.90	250	24 lbs
	H.D. Rigid Door Stop 3" w/ Matte Black Tips	US10B	402175	\$2.15	250	24 lbs
	H.D. Rigid Door Stop 3" w/ Matte Black Tips	US19	402195	\$2.25	250	24 lbs
	920 Solid Brass Door Stop US15	US15	BV920001	\$16.00	250	24 lbs
	920 Solid Brass Door Stop US10B	US10B	BV920002	\$16.00	250	24 lbs
	920 Solid Brass Door Stop US26	US26	BV920003	\$16.00	250	24 lbs

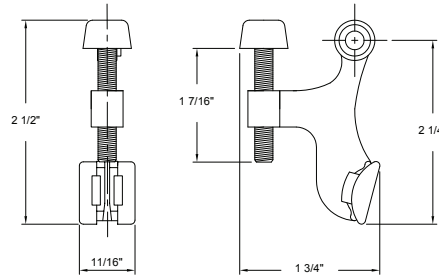
HEAVY DUTY HINGE PIN DOOR STOP



Base Metal: Zinc

	Description	Finish	Item No.	List Price	CTN QTY	WT/CTN
	H.D. Hinge Pin Door Stop	US3	402300	\$1.50	500	42 lbs
	H.D. Hinge Pin Door Stop	US26	402500	\$1.60	500	42 lbs
	H.D. Hinge Pin Door Stop w/ Matte Black Tips	US15A	402600	\$1.60	500	42 lbs
	H.D. Hinge Pin Door Stop	US15	402601	\$1.60	500	42 lbs
	H.D. Hinge Pin Door Stop w/ Matte Black Tips	US10B	402310	\$1.80	500	42 lbs
	H.D. Hinge Pin Door Stop w/ Matte Black Tips	US19	402602	\$2.90	500	42 lbs

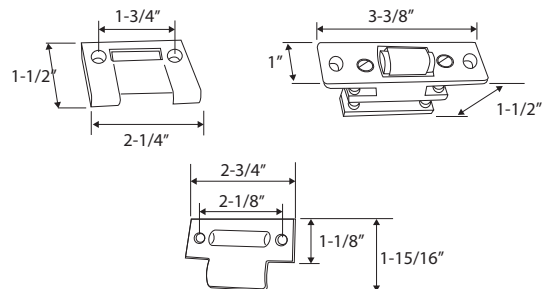
HALF LEAF HINGE PIN DOOR STOP



Base Metal: Zinc

	Description	Finish	Item No.	List Price	CTN QTY	WT/CTN
	Half Leaf Hinge Pin Door Stop	US15	402452	\$2.60	100	13 lb
	Half Leaf Hinge Pin Door Stop w/ Matte Black Tips	US10B	402459	\$2.60	100	13 lb
	Half Leaf Hinge Pin Door Stop	US19	402454	\$2.60	100	13 lb

HEAVY DUTY BRASS JUMBO ROLLER CATCH

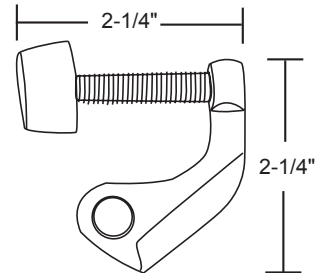
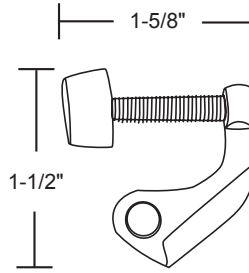


Base Metal: Brass

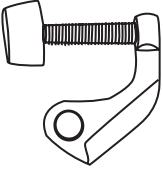
	Description	Finish	Item No.	List Price	CTN QTY	WT/CTN
	Heavy Duty Jumbo Roller Catch	US26D	420706	\$39.00	15	8 lb
	Heavy Duty Jumbo Roller Catch	US10B	420710	\$39.00	15	8 lb

DOOR SAVER HINGE PIN DOOR STOP

DOORSAVER

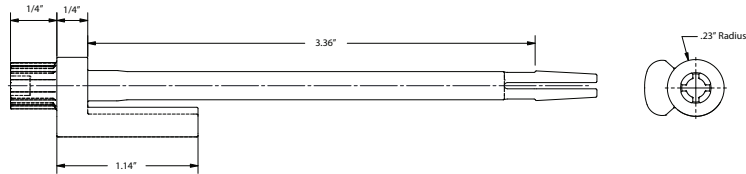


Base Metal: Zinc


	Description	Finish	Item No.	List Price	CTN QTY	WT/CTN
	Door Saver Hinge Pin Door Stop	US3	402200	\$2.70	100	8 lb
	Door Saver Hinge Pin Door Stop	US5	402201	\$2.70	100	8 lb
	Door Saver Hinge Pin Door Stop	US26	402202	\$2.70	100	8 lb
	Door Saver Hinge Pin Door Stop	US15A	402203	\$2.70	100	8 lb
	Door Saver Hinge Pin Door Stop	US15	402204	\$2.70	100	8 lb
	Door Saver Hinge Pin Door Stop	US10B	402199	\$2.70	100	8 lb
	Door Saver Hinge Pin Door Stop	US1	402198	\$2.70	100	8 lb
	Door Saver Hinge Pin Door Stop	US19	402196	\$2.70	100	8 lb
	Commercial Door Saver	US3	401220	\$6.10	100	10 lb
	Commercial Door Saver	US26	401202	\$6.10	100	10 lb
	Commercial Door Saver	US15	401204	\$6.10	100	10 lb
	Commercial Door Saver	US10B	401199	\$6.10	100	10 lb

DOOR SAVER 2 HINGE PIN DOOR STOP

DOORSAVER II



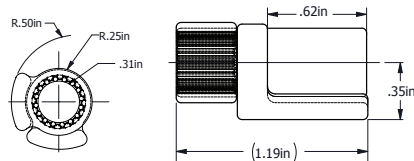
Base Metal: Zinc

	Description	Finish	Item No.	List Price	CTN QTY	WT/CTN
	Door Saver II Hinge Pin Door Stop	US3	402303	\$8.00	100	10 lb
	Door Saver II Hinge Pin Door Stop	US26	402304	\$8.00	100	10 lb
	Door Saver II Hinge Pin Door Stop	US15	402301	\$8.00	100	10 lb
	Door Saver II Hinge Pin Door Stop	US10B	402302	\$8.00	100	10 lb
	Door Saver II Hinge Pin Door Stop	US19	402306	\$8.00	100	10 lb

With adjustable swing angle Replaces existing pin from hinge

DOOR SAVER 3 HINGE PIN DOOR STOP

DOORSAVER III



Base Metal: Zinc

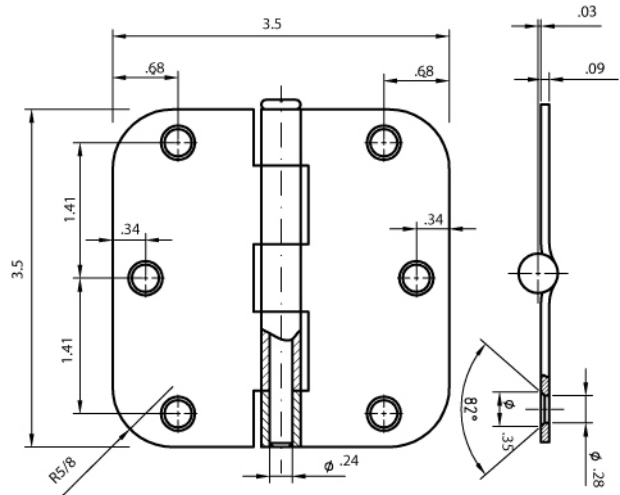
	Description	Finish	Item No.	List Price	CTN QTY	WT/CTN
	Door Saver III Hinge Pin Door Stop	US3	402404	\$7.25	100	10 lb
	Door Saver III Hinge Pin Door Stop	US15	402434	\$7.25	100	10 lb
	Door Saver III Hinge Pin Door Stop	US10B	402436	\$7.25	100	10 lb
	Door Saver III Hinge Pin Door Stop	US19	402496	\$7.25	100	10 lb
	Door Saver III Hinge Pin Door Stop	US26	402433	\$7.25	100	10 lb

With max adjustable swing angle of 160°

3 1/2" X 3 1/2" BULK RESIDENTIAL HINGES INTERIOR

SPECIFICATIONS

- #9 X 3/4" wood screws supplied
- #9 x 1" wood screws additional
- #9 x 2" wood screws additional
- Gauge 0.087" Steel
- Bulk packaged 50 pair / CTN, 45 lbs.
- Priced and sold by the pair (2 Hinges)



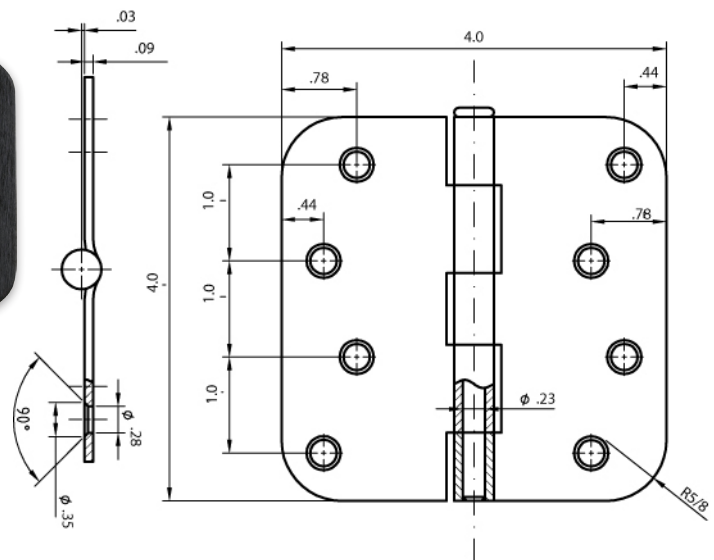
Base Metal: Steel

Radius		USP Prime Coat	US4 Satin Brass	US26S Satin Chrome	US3 Bright Brass	US5 Antique Brass	US26D Satin Chrome	US26 Bright Chrome	US15A Antique Nickel	US10B Oil Rubbed Bronze	US15 Satin Nickel	US19 Matte Black
5/8"	Item No.	RH3500	RH3504	RH3508	RH3503	RH3505	RH3506	RH3507	RH3509	RH3510	RH3515	RH3519
	List Price	\$3.65	\$6.10	\$6.10	\$6.10	\$6.10	\$6.10	\$6.10	\$6.10	\$6.10	\$6.10	\$6.10

4" X 4" BULK RESIDENTIAL HINGES EXTERIOR

SPECIFICATIONS

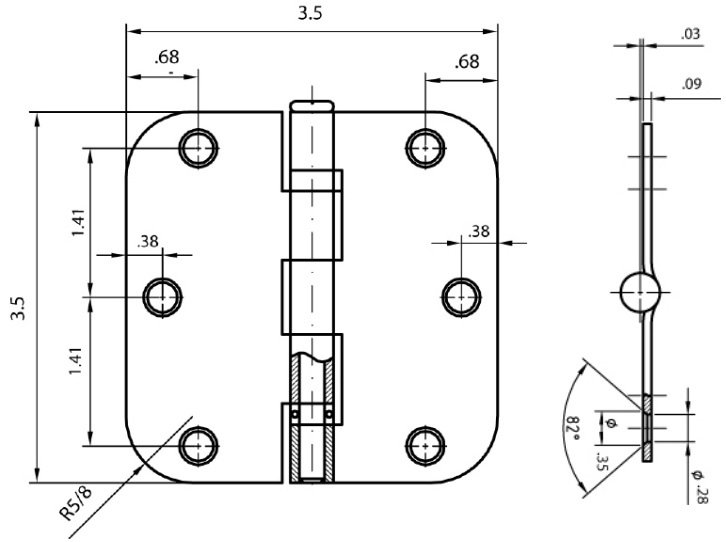
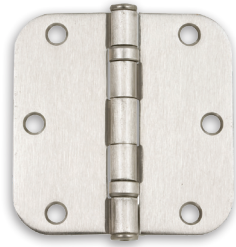
- #9 X 1" wood screws supplied
- #9 x 3/4" wood screws additional
- #9 x 2" wood screws additional
- Gauge 0.087" Steel
- Bulk packaged 50 pair / CTN, 50 lbs
- Priced and sold by the pair (2 Hinges)



Base Metal: Steel

Radius		US4 Satin Brass	US3 Bright Brass	US5 Antique Brass	US26D Satin Chrome	US26 Bright Chrome	US15A Antique Nickel	US10B Oil Rubbed Bronze	US15 Satin Nickel	US19 Matte Black
5/8"	Item No.	RH4504	RH4503	RH4505	RH4506	RH4507	RH4509	RH4510	RH4515	RH4519
	List Price	\$7.35	\$7.35	\$7.35	\$7.35	\$7.35	\$7.35	\$7.35	\$7.35	\$7.35
5/8" NRP	Item No.	—	—	—	RH4530	—	—	RH4531	—	—
	List Price				\$12.25			\$12.25		

3 1/2" X 3 1/2" RESIDENTIAL BALL BEARING HINGES



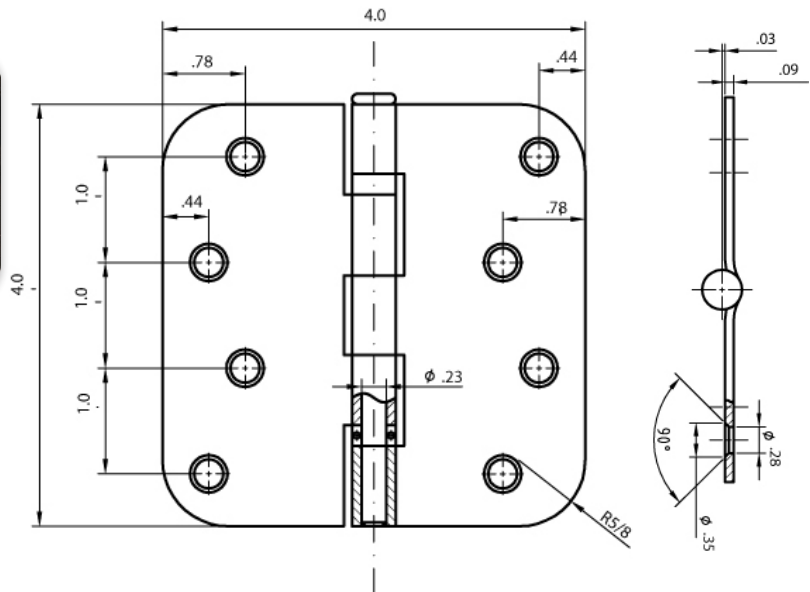
SPECIFICATIONS

- #9 x 1" wood screws supplied
- #9 x 2" wood screws additional
- Gauge 0.087" Steel
- Bulk packaged 50 pair / CTN, 45 lbs.
- Priced and sold by the pair (2 Hinges)

Base Metal: Steel

Description	Radius	US3	US10B	US15	
		Bright Brass	Oil Rubbed Bronze	Satin Nickel	
3 1/2" x 3 1/2" Ball Bearing Hinge	5/8"	Item No.	RH6503	RH6510	RH6515
		List Price	\$10.55	\$10.55	\$10.55

4" X 4" RESIDENTIAL BALL BEARING HINGES



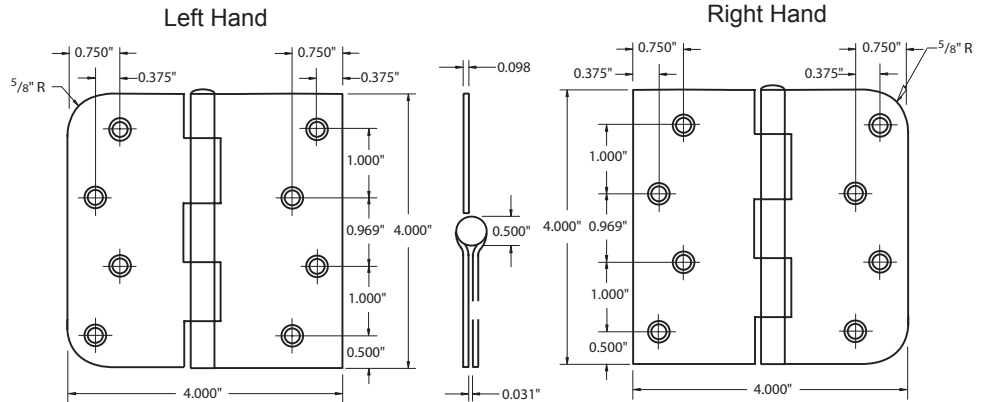
SPECIFICATIONS

- #9 X 1" wood screws supplied
- #9 x 2" wood screws additional
- Gauge 0.087" Steel
- Bulk packaged 50 pair / CTN, 50 lbs.
- Priced and sold by the pair (2 Hinges)

Base Metal: Steel

Description	Radius	US3	US10B	US15	
		Bright Brass	Oil Rubbed Bronze	Satin Nickel	
4" x 4" Ball Bearing Hinge	5/8"	Item No.	RH7503	RH7510	RH7515
		List Price	\$12.15	\$12.15	\$12.15

4" x 4" 5/8R x SQ HINGES FOR CASTLEGATE



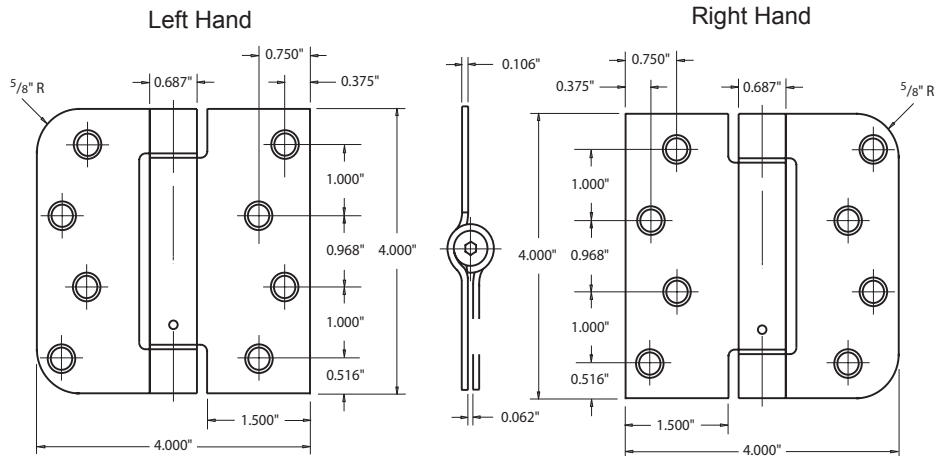
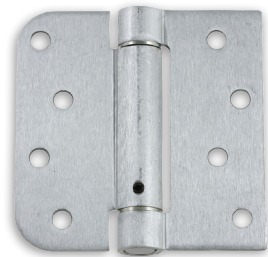
SPECIFICATIONS

- #10 X 1/2" machine screw (10-24NC) standard (8 pcs).
- #10 x 3/4" wood screw standard (16 pcs)
- Gauge 0.106" Steel
- Bulk packaged 50 Pair / CTN, 50 lbs
- Specify LH or RH
- Priced & sold by the pair (2 Hinges)

LISTED Base Metal: Steel

Description	Radius	US15	US26D	US10B	
		Satin Nickel	Satin Chrome	Oil Rubbed Bronze	
4" x 4" Hinge for Castlegate	5/8" x SQ	Item No.	RH4054 (R/L)	RH4056 (R/L)	RH4059 (R/L)
		List Price	\$7.30	\$7.30	\$7.30

4" X 4" 5/8R x SQ SPRING HINGE FOR CASTLEGATE



SPECIFICATIONS

- #10 X 1/2" machine screw (10-24NC) standard (8 pcs)
- #10 x 3/4" wood screw standard (16 pcs)
- Box Pack: 1Pair (2 pcs) per box.
20 Pair / CTN, 28 Lbs
- Gauge: 0.106" Steel
- Specify LH or RH
- Priced & sold by the pair (2 Hinges)

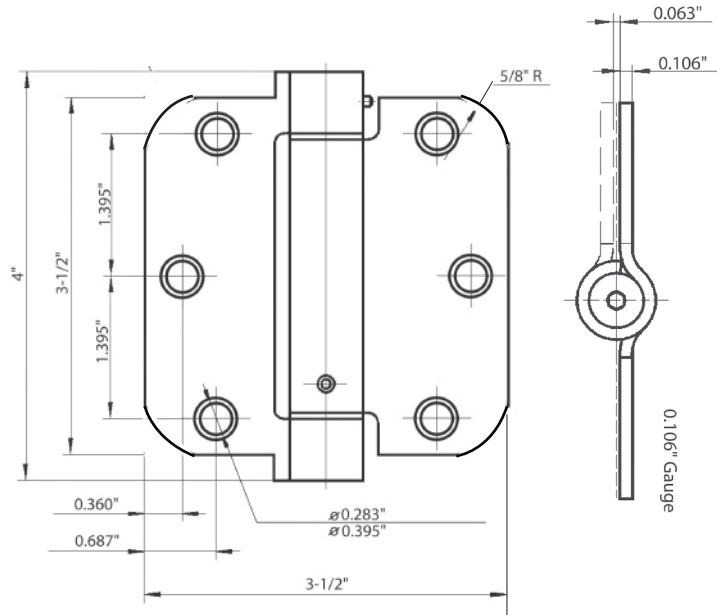
LISTED Base Metal: Steel

Description	Radius	US26D	
		Satin Chrome	
4" x 4" Spring Hinge for Castlegate	5/8" x SQ	Item No.	SP4056R / SP4056L
		List Price	\$29.20

3 1/2" X 3 1/2" SPRING HINGES

SPECIFICATIONS

- #10 X 1/2" machine screw (10-24NC) standard
- #10 x 1" wood screw standard
- Box Pack: 1 Pair (2 pcs) per box.
20 Pair / CTN, 28 Lbs
- Gauge: 0.106" Steel
- Priced and sold by the pair (2 Hinges)



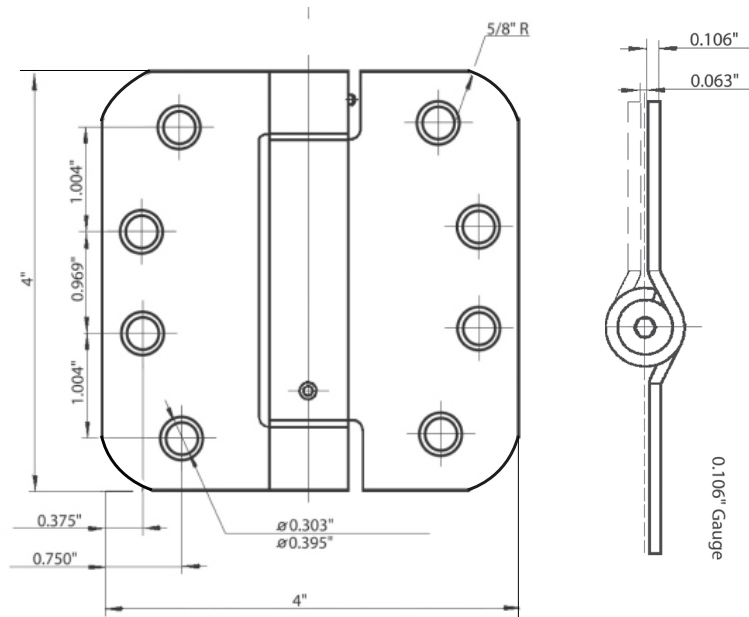
 Base Metal: Steel

Description	Radius	US26D Satin Chrome		US10B Oil Rubbed Bronze	
		Item No.	SP3506	SP3510	SP3510
3 1/2" x 3 1/2" Spring Hinge	5/8"	List Price	\$27.55	\$27.55	\$27.55

4" X 4" SPRING HINGES

SPECIFICATIONS

- #10 X 1/2" machine screw (10-24NC) standard
- #10 x 1" wood screw standard
- Box Pack: 1 Pair (2 pcs) per box
20 Pair / CTN, 32 Lbs
- Gauge: 0.106" Steel
- Priced and sold by the pair (2 Hinges)



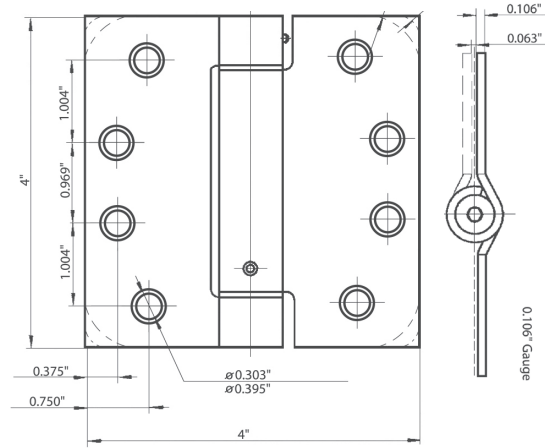
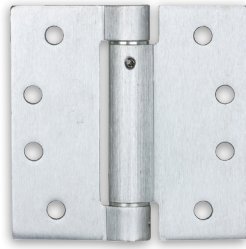
 Base Metal: Steel

Description	Radius	US26D Satin Chrome		US10B Oil Rubbed Bronze	
		Item No.	SP4506	SP4510	SP4510
4" x 4" Spring Hinge	5/8"	List Price	\$30.80	\$30.80	\$30.80

4" X 4" SPRING HINGES

SPECIFICATIONS

- #10 X 1/2" machine screw (10-24NC) standard.
- #10 x 1" wood screw standard.
- Box Pack: 1 Pair (2 pcs) per box.
20 Pair / CTN, 32 Lbs
- Gauge: 0.106" Steel
- Priced and sold by the pair (2 Hinges)



UL LISTED Base Metal: Steel

Description	US26D Satin Chrome		US10B Oil Rubbed Bronze	
	4" x 4" Spring Hinge	Item No.	SP4106	Item No.
	List Price	\$30.80	List Price	\$30.80

RESIDENTIAL HINGE SCREWS



PRICING (Per 100 Screws)

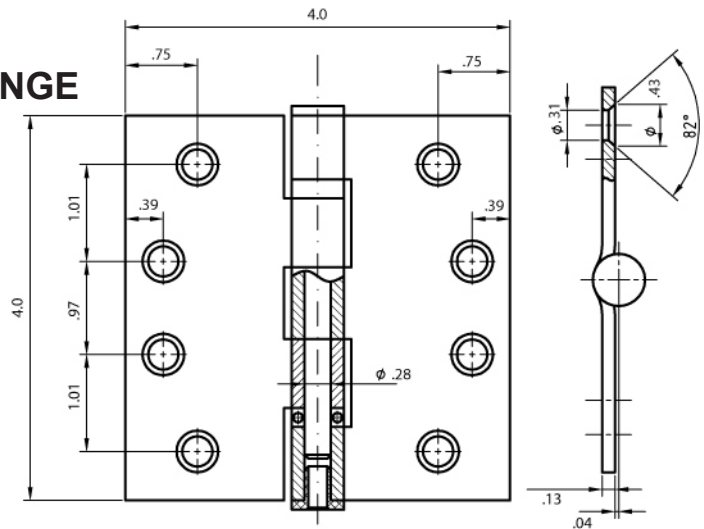
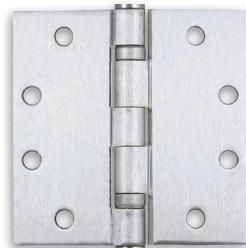
Self Tapping Wood Screw

Description	Size	US4	USP	US3	US5	US26D	US26	US15A	US10B	US15	BL	
Self Tapping Screws	#9 x 3/4"	Item No.	109034	—	139034	159034	169034	179034	189034	199034	199534	199520
		List Price	\$8.00		\$8.00	\$8.00	\$8.00	\$8.00	\$8.00	\$8.00	\$8.00	\$8.00
Self Tapping Screws	#9 x 1"	Item No.	109010	119010	139010	159010	169010	179010	189010	199010	199510	199521
		List Price	\$11.00	\$11.00	\$11.00	\$11.00	\$11.00	\$11.00	\$11.00	\$11.00	\$11.00	\$11.00

BALL BEARING 4" X 4" COMMERCIAL HINGE

SPECIFICATIONS

- #10 X 1/2" Machine screws (12-24NC) standard
- #10 x 1 1/4" Wood screws standard
- Gauge 0.13" Steel
- Box packed 1.5 pair (3 pcs) per box.
15 Pair / CTN, 20 Lbs
- Priced per pair (2 Hinges)
- Base Metal is Steel

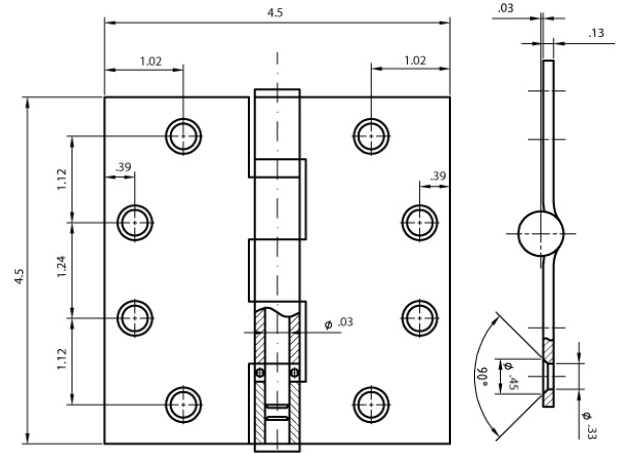
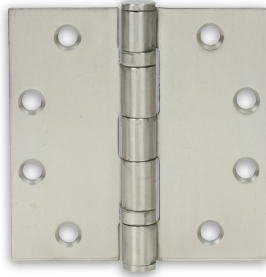


Description	US26D Satin Chrome		US10B Oil Rubbed Bronze	
	4" x 4" Ball Bearing Hinge	Item No.	CH4016	Item No.
	List Price	\$18.00	List Price	\$18.00
4" x 4" Ball Bearing Hinge NRP (Non-Removable Pin)	Item No.	CN4016	Item No.	CN4012
	List Price	\$25.00	List Price	\$25.00

BALL BEARING 4 1/2" X 4 1/2" COMMERCIAL HINGE

SPECIFICATIONS

- #10 X 1/2" Machine screws (12-24NC) standard
- #10 x 1 1/4" Wood screws standard
- Gauge 0.134" Steel
- Box packed 1.5 pair (3 pcs) per box
15 Pair / CTN, 34 Lbs
- Priced per pair (2 Hinges)
- Base Metal is Steel or Satin Stainless Steel

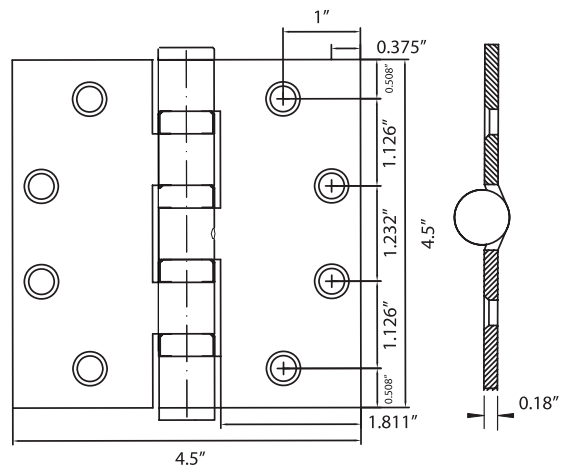
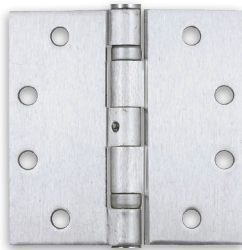


Description		US26D Satin Chrome	US10B Oil Rubbed Bronze	US32D Satin Stainless Steel	US19 Matte Black
4 1/2" x 4 1/2" Ball Bearing Hinge	Item No.	CH4516	CH4512	CH4510	CH4519
	List Price	\$22.00	\$22.00	\$28.00	\$22.00
4 1/2" x 4 1/2" Ball Bearing Hinge NRP (Non-Removable Pin)	Item No.	CN4516	CN4512	CN4510	CN4519
	List Price	\$29.00	\$29.00	\$29.00	\$29.00

HEAVY DUTY BALL BEARING 4 1/2" X 4 1/2" COMMERCIAL HINGE

SPECIFICATIONS

- #10 x 1/2" Machine Screws (12-24NC) standard
- #10 x 1 1/4" Wood Screws standard
- Gauge 0.18" Steel
- Box packed 1.5 pair (3 pcs) per box
15 Pair / CTN, 34 Lbs
- Priced per pair (2 Hinges)
- Base Metal is Steel

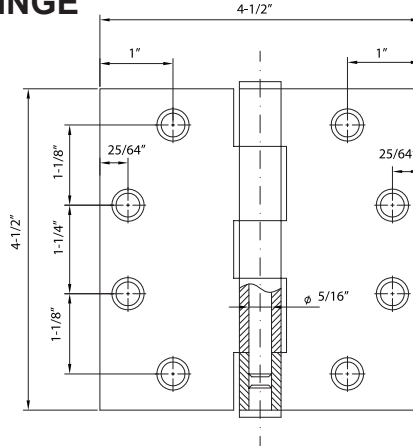
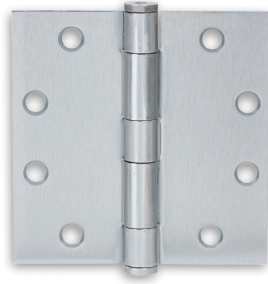


Description		US26D Satin Chrome
4 1/2" x 4 1/2" Heavy Duty Ball Bearing Hinge	Item No.	CH4516
	List Price	\$22.00

PLAIN BEARING 4½" X 4½" COMMERCIAL HINGE

SPECIFICATIONS

- #12 x ½" Machine Screws (12-24NC) standard
- #12 x 1¼" Wood Screws standard
- Gauge 0.134" Steel
- Box packed 1.5 pair (3 pcs) per box
15 Pair / CTN, 34 Lbs
- Priced per pair (2 Hinges)
- Base Metal is Steel

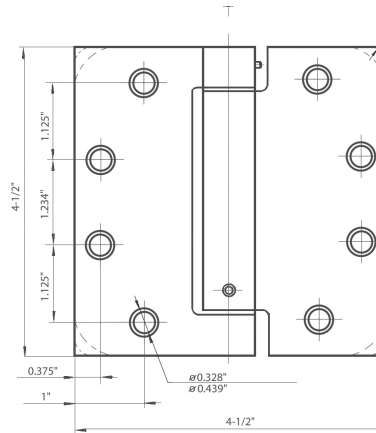
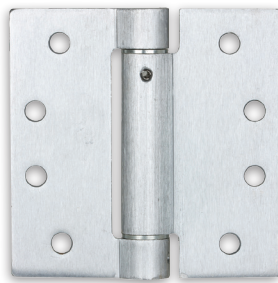


Description		US26D Satin Chrome	
4 ½" x 4 ½" Plain Bearing Hinge	Item No.	CH4506	
	List Price	\$20.00	

SPRING HINGE 4½" X 4½"

SPECIFICATIONS

- #12 X ½" Machine screws (12-24NC) standard
- #10 x 1¼" Wood screws standard
- Gauge 0.134" Steel
- Box packed 1 pair (2 pcs) per box
20 Pair / CTN, 47 Lbs
- Priced per pair (2 Hinges)
- Base Metal is Steel



Description	Radius	US26D Satin Chrome		US10B Oil Rubbed Bronze
		4½" x 4½" Spring Hinge	Sq.	Item No.
List Price	\$39.00			\$39.00

SPRING HINGE SIZING GUIDE

MAXIMUM DOOR SIZE RECOMMENDED 3'-0" WIDE X 7'-0" HIGH				
RECOMMENDED MAXIMUM DOOR WEIGHT (LBS.)			HINGE SELECTION	
3.5 X 3.5	4 X 4	4.5 X 4.5	SPRING HINGES	BUTT HINGES
50	60	70	1 EACH	2 EACH
70	85	115	2 EACH	1 EACH
90	110	150	3 EACH	NONE

Wind Conditions, excessive air pressure on one side of an opening, weather stripping, or other adverse job conditions may require the use of all spring hinges. For maximum versatility use all spring hinges.



DELANEY

**MULTI-FAMILY / LIGHT COMMERCIAL
HARDWARE OFFERING**

DelaneyHardware.com | 800.952.4430 | orders@delaneyhardware.com

LITCOMMERCIAL - 2024