

# DELANEY®

CALLAN • DELANEY • BRAVURA

Premium Hardware with Exceptional  
Service for Single-Family, Multi-Family  
and Commercial Buildings



[DelaneyHardware.com](http://DelaneyHardware.com)

# CATALOG



# DELANEY®

## The Delaney Hardware Difference

Our unwavering commitment and passion to provide you with superior quality hardware and exceptional service distinguishes us from the rest of the industry. Our mission is to make furnishing your home's door hardware refreshingly easy.

Founded more than 30 years ago on strong family values, we understand the attention to detail needed to consistently and reliably deliver stylish, durable and secure hardware. We offer three brand tiers of door hardware as well as barn door, trim, bath hardware, and commercial specializing in providing solutions for residential homes, multi-family buildings and commercial projects. We provide exceptional service, accurate, on-time deliveries and superior value for all of your hardware needs.

# TABLE OF CONTENTS

## Information

|                                 |   |
|---------------------------------|---|
| Sales Policies & Services ..... | 4 |
| Freight & Payment Terms.....    | 5 |
| Keying Charges.....             | 5 |

## Door Hardware

### Callan ..... 7-31

|                              |       |
|------------------------------|-------|
| Entrance Hardware            |       |
| Handlesets.....              | 7-12  |
| Deadbolts.....               | 13-15 |
| Knobs & Levers               |       |
| Grade 3 Knobs & Levers.....  | 16-25 |
| Grade 2 Knobs & Levers ..... | 26-29 |
| Strikes & Latches .....      | 30-31 |

### Delaney..... 32-62

|                             |       |
|-----------------------------|-------|
| Sandcast                    |       |
| Handlesets.....             | 33-34 |
| Deadbolts.....              | 35    |
| Knobs & Levers.....         | 36-37 |
| Entrance Hardware           |       |
| Handlesets.....             | 39-42 |
| Interior options .....      | 42-43 |
| Deadbolts .....             | 44-46 |
| Knobs & Levers              |       |
| Grade 3 Knobs & Levers..... | 48-56 |
| Grade 2 Knobs & Levers..... | 57-59 |
| Strikes & Latches.....      | 60-62 |

### Bravura..... 63-93

|                    |       |
|--------------------|-------|
| Entrance Hardware  |       |
| Handlesets.....    | 64-68 |
| Deadbolts .....    | 69    |
| Knobs & Levers     |       |
| Knobs .....        | 70-77 |
| Crystal Knobs..... | 78-79 |
| Levers.....        | 80-87 |
| Elite.....         | 88-93 |
| Levers.....        | 88-90 |
| Knobs .....        | 91-92 |
| Deadbolts.....     | 93    |

## Electronic Locks ..... 94-97

|                        |       |
|------------------------|-------|
| Electronic locks ..... | 94-97 |
|------------------------|-------|

## Barn Door Hardware..... 98-103

|                         |         |
|-------------------------|---------|
| Flat Track Series ..... | 98-100  |
| Handles & Pulls .....   | 101-102 |
| Accessories .....       | 103     |

## Bath Hardware..... 104-114

|                             |     |
|-----------------------------|-----|
| 1100 series-Denali .....    | 105 |
| 900 series-Acadia .....     | 106 |
| 800 series-Shenandoah.....  | 107 |
| 700 series-Sequoia.....     | 108 |
| 600 series-Everglade.....   | 109 |
| 500 series-Yellowstone..... | 110 |
| 400 series-Yosemite.....    | 111 |
| 300 series-Cascade .....    | 112 |
| 200 series-Congaree .....   | 113 |
| Accessories.....            | 114 |

## Trim Hardware & Hinges ..... 115-140

|                                  |         |
|----------------------------------|---------|
| Pocket Door Locks.....           | 116     |
| Door Knockers & Viewers.....     | 117-118 |
| Plates & Pulls.....              | 119     |
| Exterior Shutter Hardware.....   | 120     |
| Handrail Brackets.....           | 121     |
| Surface & Flush Bolts.....       | 122-123 |
| Door Stops.....                  | 124-127 |
| Wall Bumper & Ball Catch .....   | 128-129 |
| Cabinet Knobs & Finger Pull..... | 130-131 |
| Closet Hardware.....             | 132-133 |
| Residential Hinges .....         | 134-138 |
| Commercial Hinges .....          | 139-140 |

## Commercial..... 141-163

|                         |         |
|-------------------------|---------|
| Lever sets.....         | 142-147 |
| Deadbolts .....         | 148-149 |
| Latches & Strikes ..... | 150-151 |
| Exit Devices.....       | 152-161 |
| Door Closers .....      | 162     |
| Door Hanging Guide..... | 163     |

# SALES POLICIES & SERVICE TERMS

## RETURNS & CREDIT POLICY

All returned goods will require prior authorization, proof of purchase, and a Return Goods Authorization (RGA) number. The Delaney Hardware RGA is valid for 15 days from date of issue.

- Requests to return must be made within 45 days from date of invoice. Items must be in original packaging and in resalable condition to be determined at our discretion. Specially fabricated, discontinued, made-to-order, or custom-machined items are not returnable.
- All Returns are subject to inspection. Products not in resalable condition will not be approved and customer will have the option for Delaney Hardware to destroy or for the Customer to pick up at their expense. Products not picked up within five days of notification will be destroyed.
- All Returned merchandise is subject to a 25% restocking fee plus 2-way freight.
- Pricing and quantity discrepancies must be made within 15 days from date of invoice.
- If you wish to make a warranty claim based upon product defect, please contact us at [orders@delaneyhardware.com](mailto:orders@delaneyhardware.com). You must include images of the reported defect and purchase order history details.

## PRICE LIST

Prices subject to change without notice. Not responsible for typographical errors.

## PRODUCT AVAILABILITY

While it is our goal to ship all in stock items within 24 hours, some items require additional lead times. Please contact Customer Service to verify product availability.

## LIMITED WARRANTY

Goods are warranted against manufacturing defects for one year unless other Manufacturers' warranty apply. In no case is Delaney Hardware Inc. responsible for user-caused damage or damage incurred in installation. This warranty is void if the goods have been subjected to misapplication or abuse. Call 1-800-952-4430 for copies of applicable manufacturers' warranties.

## ADVERTISING TOOLS

Digital, Full-color product brochures and catalogs are available for all of our product lines. Please call your sales representative for more information.

## DESIGN CENTER / SHOWROOM MERCHANDISING

Delaney can provide product displays and brochures for showrooms or design centers upon request (charges apply).

## ORDER TRACKING

Delaney customers may track UPS shipments by using either the assigned tracking number (available from customer service the morning following your shipment) or by using the shipment reference number (customer PO#). If you would like to sign up for automatic shipment notifications via email, please contact your inside sales representative.

## SHIPPING INFORMATION

With the rise in operational costs over the last two years, we have implemented a minimum order threshold of \$50.00. Any order below \$50.00 will incur a \$5.00 processing fee. Spend \$1000+ in products and get Free Shipping.

- Orders are entered into our fulfillment system upon receipt.
- Add-ons are handled as a separate order; freight charges will apply per order.
- Keyed orders and displays are excluded from same day shipping.
- A \$7.50 drop ship fee will be added per ship direct order. Due to global freight price increases, we have revised our 2024 Shipping Fees. Both individually-labeled parcel shipping and the larger Less-than-Truckload (LTL) pallet shipping will be affected.
- Prepaid freight is included on orders totaling more than \$1,000.00. Whether a shipment is sent small parcel or LTL, if that order meets or exceeds \$1,000.00, the order is shipped prepaid, regardless of weight.



# SALES POLICIES & SERVICE TERMS

## PARCEL SHIPPING

- Expedited Parcel Freight charges are estimated, and actual freight will be billed at shipment.
- Freight costs will be added to the invoice to be paid by the customer.
- Please note: All orders with 2+ Barn Door Tracks must ship LTL and not Parcel.

## LTL SHIPPING

- All LTL Freight charges are estimated, and actual freight will be billed at shipment.
- Expedited charges are the responsibility of the customer.
- Freight costs will be added to the invoice to be paid by the customer.

## STANDARD AND SPLIT TRACK BARN DOOR KITS SHIPPING

- Additional shipping charges will apply to all orders. Contact Customer Service for a shipping quote.

| Parcel Total Order Amount: | UPS Ground Service Fee: |
|----------------------------|-------------------------|
| \$0 to \$199.99            | \$16                    |
| \$200.00 - \$299.99        | \$22                    |
| \$300.00 - \$399.99        | \$28                    |
| \$400.00 - \$499.99        | \$36                    |
| \$500.00 - \$749.99        | \$44                    |
| \$750.00 - \$999.99        | \$52                    |
| <b>\$1,000.00 +</b>        | <b>FREE</b>             |

## KEYING

### RESIDENTIAL KEYING

|        |   |
|--------|---|
| 910010 | Keyed Alike                             |
| 910020 | Master Key (per cylinder)               |
| 910040 | Builder/Construction Key (per cylinder) |
| 910030 | Builder Master Key                      |
| 910035 | Grand Master Key                        |
| 910050 | Common Keying                           |
| 910100 | Key Cutting                             |

### COMMERCIAL KEYING

|        |                                     |
|--------|-------------------------------------|
| 791010 | Commercial Key Alike                |
| 791020 | Commercial Master Key               |
| 791040 | Commercial Builder/Construction Key |
| 791030 | Commercial Builder Master Key       |
| 791035 | Commercial Grand Master Key         |
| 791050 | Commercial Common Key               |

### KEYING TERMS

|        |  |
|--------|--|
| KD     | Key Different - Locks keyed to different unit key numbers.   |
| KA     | Key Alike - Locks keyed to same unit key numbers.  |
| MK     | Master Key - Locks keyed to different unit key numbers while having a Master Key that will also open each unit. Master Keys provide permanent access.  |
| CK     | Construction Key - Locks keyed to different unit key numbers while having a Construction Key that will also open each unit. Construction Keys are voided when the unit keys are used.  |
| MCK    | Master Construction Key - Locks keyed to different unit key numbers while having a Master and Construction Key that will open each unit. Master Keys provide permanent access. Construction Keys are voided when the unit or master key is used. |
| GMCK   | Grand Master Construction Key - Locks keyed as above with multiple Master Keys under one Grand Master Key. Locks can also be construction keyed with this system.  |
| COMMON | Common Key - Allows multiple unit keys to open one common lock. This lock can also be Master and/or Construction Keyed.  |

### KEYING KITS & PINS

|         | QTY                            |     |
|---------|--------------------------------|-----|
| 293101* | Delaney Keying Kit "K"         | 1   |
| 293102* | Delaney Keying Kit "C"         | 1   |
| 934300  | Delaney "C" Bottom Pins #0-#9  | 100 |
| 944300  | Delaney "C" Master Pins #2 -#9 | 100 |
| 292350* | Construction Balls             | 100 |
| KA3101  | Callan Keying Kit "K"          | 1   |
| KA3101C | Callan Keying Kit "C"          | 1   |
| 292150  | Callan "K" Master Pins #1-#6   | 100 |
| 934300  | Callan "C" Bottom Pins #0-#9   | 100 |
| 944300  | Callan "C" Master Pins #2-#9   | 100 |

Keying Kits include: Nut Driver, Plug Follower, Spanner/Cylinder Removal Tool, Tweezers, Replacement Springs, Clips and Pins.

### KEY BLANKS

|          | QTY  |   |
|----------|--|---|
| KA3105   | Delaney KW1 5-Pin Key Blank Silver         | 1 |
| 291155*  | Delaney Lg Head SC4 6-Pin Key Blank Silver | 1 |
| KA3102   | Callan KW1 5-Pin Key Blank Silver          | 1 |
| KA3104   | Callan2 SC1 5-Pin Key Blank                | 1 |
| 934301   | SC1 Key Blank 5-Pin Silver                 | 1 |
| 934301G* | SC1 Key Blank 5-Pin Gold                   | 1 |
| 934302   | SC4 Key Blank 6-Pin Silver                 | 1 |
| 934302G* | SC4 Key Blank 6-Pin Gold                   | 1 |
| 791210   | IC Core Key Blanks (Best Keyway) Silver    | 1 |

\*Special Order Product. Call Customer Service at 800-952-4430

## CUSTOMER SERVICE DEPARTMENT ( Hours of Operation: 7:00AM - 5:00PM ET )

Place Orders or Request Quotes by:

Local Phone ..... **770-844-1941** (Press 2 for Customer Service)  
 Toll Free ..... **800-952-4430** (Press 2 for Customer Service)

Fax ..... **770-844-8658**  
 Email..... **orders@delaneyhardware.com**  
 Email..... **quotes@delaneyhardware.com**

# AVAILABLE FINISHES

---



US3 / 605  
BRIGHT BRASS



US4 / 696  
SATIN BRASS



US5 / 609  
ANTIQUÉ BRASS



US10B / 680  
OIL RUBBED  
BRONZE



US10BE / 704  
OIL RUBBED BRONZE  
EDGED



ABR / 624  
AGED BRONZE



US12P / 616  
TUSCANY BRONZE



ABK / 622  
AGED BLACK



US19 / 676  
MATTE BLACK



US15 / 646  
SATIN NICKEL



US26 / 681  
BRIGHT CHROME



US26D / 682  
SATIN CHROME



AS  
ANTIQUÉ SILVER



US32D / 630  
SATIN STAINLESS STEEL



US28 (AL) / 673  
ALUMINUM



DURO / 695  
DURO BRONZE

# CALLAN<sup>®</sup>

## ENTRANCE HARDWARE

Elevate your lifestyle for less

### **Grade 3**


Briona  
Visconti  
Chatham  
Colton

### **Grade 2**

Candler

### **Deadbolts**

Square  
Round



Briona in  
Oil Rubbed  
Bronze Edged

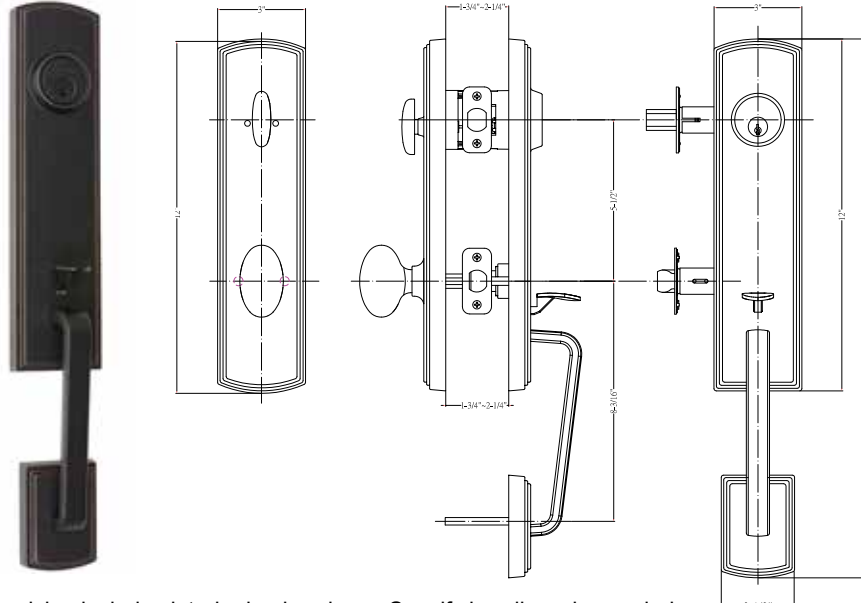
# CALLAN® ENTRANCE HANDLESETS

## Specifications

|                       |  |                 |  |
|-----------------------|--|-----------------|--|
| <b>Door Prep</b>      | Deadbolt cross bore: 2-1/8"<br>Handleset cross bore: 2-1/8"<br>Edge bore: 1"<br>Latch face: 1" x 2-1/4"<br>Mounting (center to center): 5-1/2"             | <b>Latches</b>  | Deadbolt:<br>2-3/8" & 2-3/4" adjustable (C9092 R/S)<br>Faceplate: 1" x 2-1/4" round corner<br>Bolt: 1" throw with hardened steel rod<br>Handle:<br>2-3/8" and 2-3/4" adjustable (C9074 R/S)<br>Faceplate: 1" x 2-1/4" round corner |
| <b>Strikes</b>        | Deadbolt: 2-1/4" Rd. & Sq. corner (9118 R&S) 1-1/8" X 2-3/4"<br>Thumbpiece: 2-1/4" full lip Rd. & Sq. corner (9103 & 9102). Includes Reinforcement Strikes | <b>Handing</b>  | Handing required for lever interiors   |
| <b>Door Thickness</b> | 1-3/4" ~ 2-1/4" door standard.   | <b>Cylinder</b> | SC1 5-pin standard; KW1 5-pin optional. Handlesets packed KD   |
| <b>Door Handing</b>   | Reversible lever handing for dummy function and Interior   |                 |  |

## BRIONA

Shown in Oil Rubbed Bronze Edged

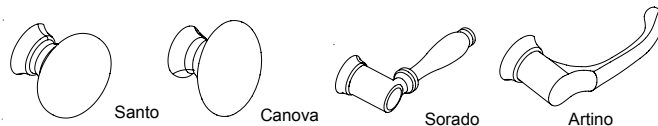


## BOX PACK

Handleset pricing includes interior knob or lever. Specify handing when ordering.

| Model  | Function        | WT/<br>CTN | CTN<br>QTY |          | US10BE<br>Edged Bronze | US19<br>Matte Black |
|--------|-----------------|------------|------------|----------|------------------------|---------------------|
| 400-BN | Single Cylinder | 36 lb      | 4 Pcs      | Item No. | 374107                 | 374104              |
| 405-BN | Dummy           | 34 lb      | 4 Pcs      | Item No. | 374157                 | 374154              |

## INTERIOR OPTIONS FOR BRIONA



For Sorado and Artino specify handing when ordering.

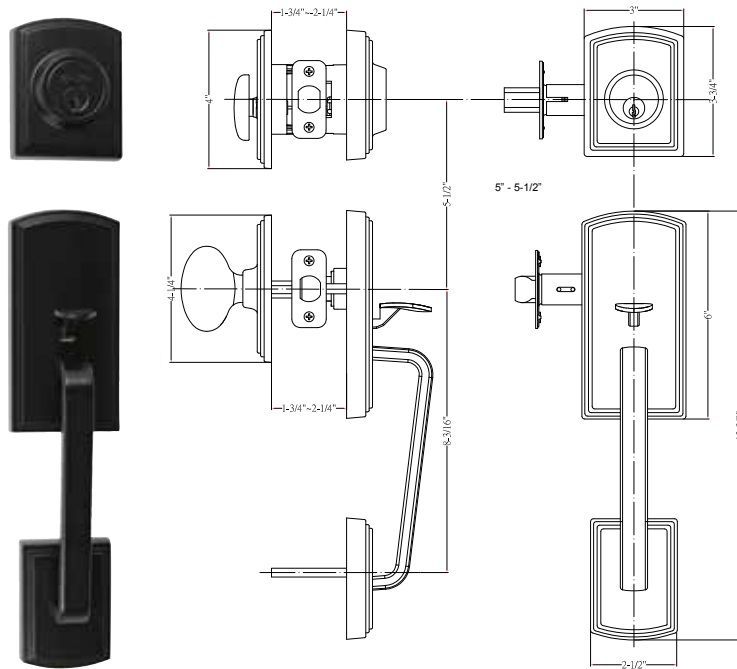
| ACTIVE INTERIORS                      |          |                         |                           |                        | DUMMY INTERIORS                 |          |                         |                           |                        |
|---------------------------------------|----------|-------------------------|---------------------------|------------------------|---------------------------------|----------|-------------------------|---------------------------|------------------------|
| Style                                 |          | US15<br>Satin<br>Nickel | US10BE<br>Edged<br>Bronze | US19<br>Matte<br>Black | Style                           |          | US15<br>Satin<br>Nickel | US10BE<br>Edged<br>Bronze | US19<br>Matte<br>Black |
| Sorodo<br>w/ Full Int.<br>Plate (L/R) | Item No. | 367101                  | 367107                    | 367104                 | Sorodo<br>w/ Full Int.<br>Plate | Item No. | 367151                  | 367157                    | 367154                 |
| Artino w/<br>Full Int.<br>Plate (L/R) | Item No. | 367201                  | 367207                    | 367204                 | Artino<br>w/ Full Int.<br>Plate | Item No. | 367251                  | 367257                    | 367254                 |
| Canova<br>w/ Full Int.<br>Plate       | Item No. | 367501R                 | 367507R                   | 367504R                | Canova<br>w/ Full Int.<br>Plate | Item No. | 367551                  | 367557                    | 367554                 |
| Santo<br>w/ Full Int.<br>Plate        | Item No. | 367601R                 | 367607R                   | 367604R                | Santo<br>w/ Full Int.<br>Plate  | Item No. | 367651                  | 367657                    | 367654                 |



# CALLAN® ENTRANCE HANDLESETS

## VISCONTI

Shown in Matte Black

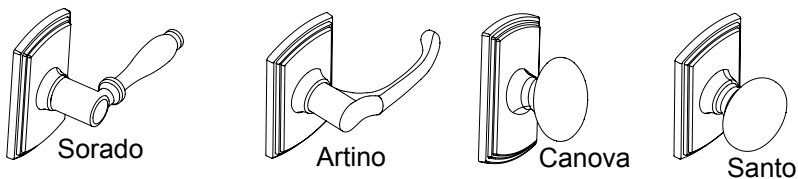


### BOX PACK

Handleset pricing includes interior knob or lever.

| Model  | Function        | WT/<br>CTN | CTN<br>QTY |          | US15<br>Satin Nickel | US10BE<br>Edged Bronze | US19<br>Matte Black |
|--------|-----------------|------------|------------|----------|----------------------|------------------------|---------------------|
| 400-VN | Single Cylinder | 35 lb      | 4 Pcs      | Item No. | 374001               | 374007                 | 374004              |
| 405-VN | Dummy           | 31 lb      | 4 Pcs      | Item No. | 374051               | 374057                 | 374054              |

### INTERIOR OPTIONS FOR VISCONTI



| ACTIVE INTERIORS                |          |                         |                           |                        | DUMMY INTERIORS                 |          |                         |                           |                        |
|---------------------------------|----------|-------------------------|---------------------------|------------------------|---------------------------------|----------|-------------------------|---------------------------|------------------------|
| Style                           |          | US15<br>Satin<br>Nickel | US10BE<br>Edged<br>Bronze | US19<br>Matte<br>Black | Style                           |          | US15<br>Satin<br>Nickel | US10BE<br>Edged<br>Bronze | US19<br>Matte<br>Black |
| Sorado<br>w/ Full Int.<br>Plate | Item No. | 377101                  | 377107                    | 377104                 | Sorado<br>w/ Full Int.<br>Plate | Item No. | 365101                  | 365107                    | 365104                 |
| Artino w/<br>Full Int.<br>Plate | Item No. | 377201                  | 377207                    | 377204                 | Artino<br>w/ Full Int.<br>Plate | Item No. | 365201                  | 364207                    | 365204                 |
| Canova<br>w/ Full Int.<br>Plate | Item No. | 377501                  | 377507                    | 377504                 | Canova<br>w/ Full Int.<br>Plate | Item No. | 365501                  | 365507                    | 365504                 |
| Santo<br>w/ Full Int.<br>Plate  | Item No. | 377601                  | 377607                    | 377604                 | Santo<br>w/ Full Int.<br>Plate  | Item No. | 365601                  | 365607                    | 365604                 |

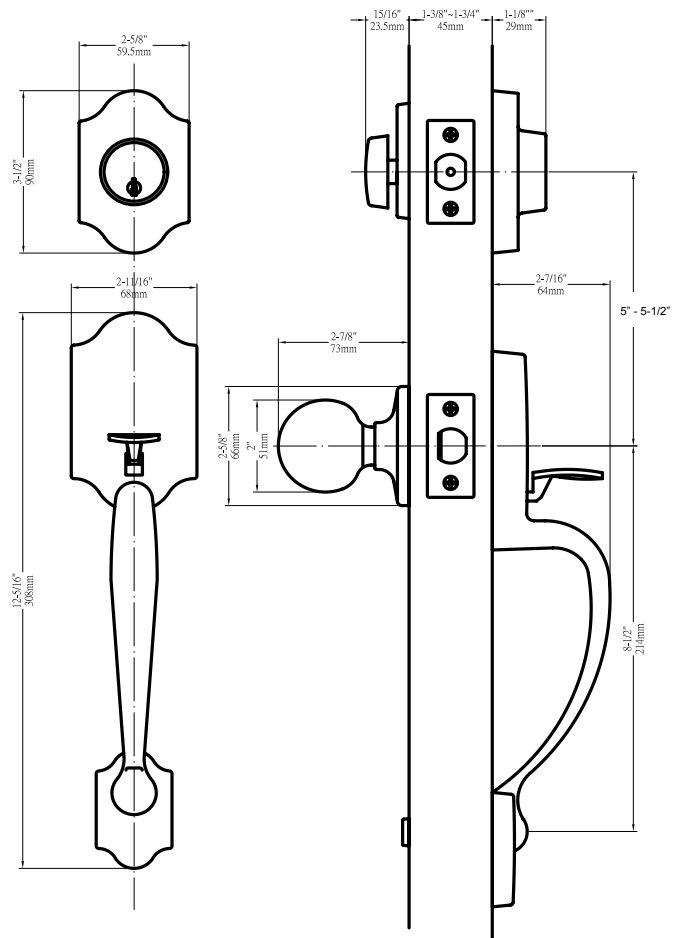
# CALLAN® ENTRANCE HANDLESETS

## Specifications

|                       |  |                     |   |
|-----------------------|--|---------------------|---|
| <b>Door Prep</b>      | Deadbolt cross bore: 2-1/8"<br>Handleset cross bore: 2-1/8"<br>Edge bore: 1"<br>Latch face: 1" x 2-1/4"<br>Mounting bore distance (center to center):<br>5" - 5-1/2" recommended | <b>Latches</b>      | Upper: 2-3/8" and 2-3/4" adjustable (9092)<br>Faceplate: 1" x 2-1/4" round corner<br>Bolt: 1" Bolt with hardened steel rod<br>Lower: 2-3/8" and 2-3/4" adjustable (9074)<br>(for lever and knob)<br>Faceplate: 1" x 2-1/4" round corner<br>Bolt: Solid brass 1/2" throw |
| <b>Backset</b>        | Fits 2-3/8" and 2-3/4"   | <b>Strikes</b>      | Deadbolt: 2-1/4" full lip round corner (9113 & 9117)<br>Thumbpiece: 2-1/4" full lip round corner (9103)   |
| <b>Door Thickness</b> | 1-3/8" ~ 1-3/4" door standard<br>2-1/4" Ext. Kit available   | <b>Wood Screws</b>  | Combination screws that suit both wood or metal door mounting   |
| <b>Cylinder</b>       | KW1 5-pin standard; SC1 5-pin optional<br>Handlesets packed KD   | <b>Door Handing</b> | Specify handing when ordering lever as interior option  |

## CHATHAM

Shown in Satin Nickel



## BOX PACK

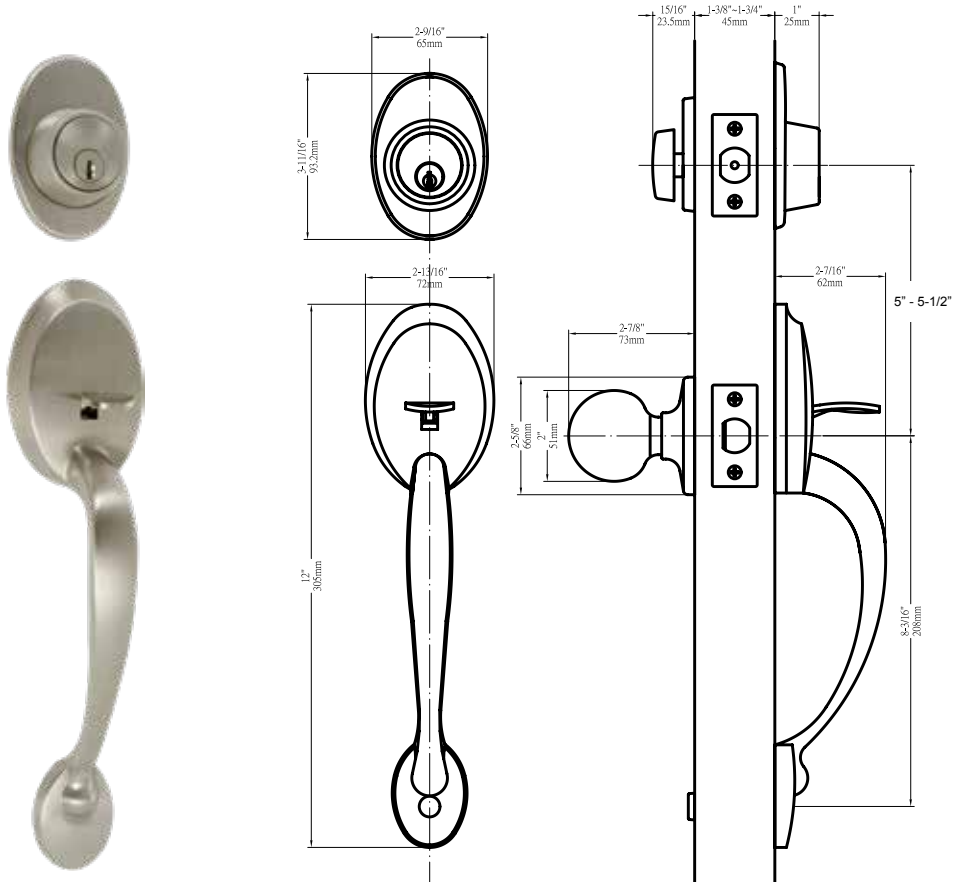
Handleset pricing includes interior knob or lever. Specify when ordering.

| Model  | Function        | WT/<br>CTN | CTN<br>QTY | Item No. | US15<br>Satin Nickel | US10B<br>Oil Rubbed Bronze | US10BE<br>Edged Bronze | US19<br>Matte Black |
|--------|-----------------|------------|------------|----------|----------------------|----------------------------|------------------------|---------------------|
| 400-CT | Single Cylinder | 33 lb      | 10 Pcs     | Item No. | KA6001               | KA6000                     | KA6007                 | KA6004              |
| 405-CT | Dummy           | 30 lb      | 10 Pcs     | Item No. | KA6051               | KA6050                     | KA6057                 | KA6054              |

# CALLAN® ENTRANCE HANDLESETS

## COLTON

Shown in Satin Nickel



### BOX PACK

Handleset pricing includes interior knob or lever. Specify when ordering.

| Model  | Function        | WT/CTN | CTN QTY | Item No. | US15<br>Satin Nickel | US10B<br>Oil Rubbed Bronze | US10BE<br>Edged Bronze | US19<br>Matte Black |
|--------|-----------------|--------|---------|----------|----------------------|----------------------------|------------------------|---------------------|
| 400-CO | Single Cylinder | 33 lb  | 10 Pcs  | Item No. | KA4001               | KA4000                     | KA4007                 | KA4004              |
| 405-CO | Dummy           | 30 lb  | 10 Pcs  | Item No. | KA4051               | KA4050                     | KA4057                 | KA4054              |

### VISUAL PACK

| Model     | Function        | WT/CTN | CTN QTY | Item No. | US15<br>Satin Nickel | US19<br>Matte Black |
|-----------|-----------------|--------|---------|----------|----------------------|---------------------|
| VP-400-CO | Single Cylinder | 28 lb  | 6 Pcs   | Item No. | VPKA4001             | VPKA4004            |

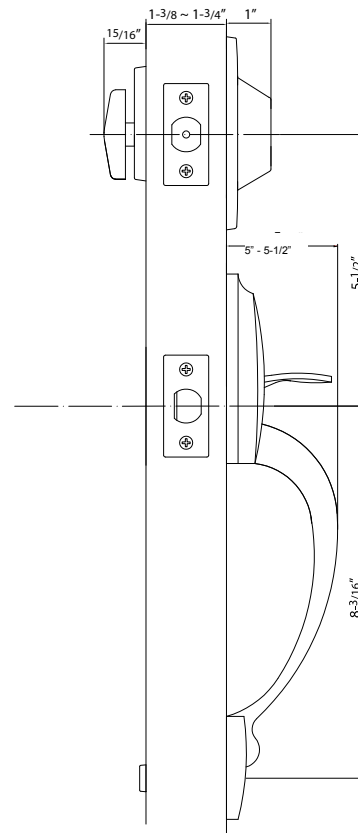
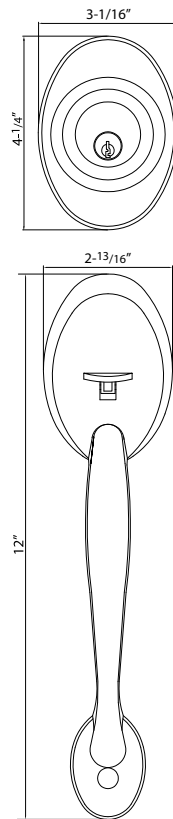
# CALLAN® ENTRANCE HANDLESETS

## Specifications

|                       |   |                     |  |
|-----------------------|---|---------------------|--|
| <b>Door Prep</b>      | Deadbolt cross bore: 2-1/8"<br>Handleset cross bore: 2-1/8"<br>Edge bore: 1"<br>Latch face: 1" x 2-1/4"<br>Mounting bore distance (center to center):<br>5-1/2" recommended | <b>Latches</b>      | Deadbolt:<br>2-3/8" & 2-3/4" adjustable (C9092 R/S)<br>Faceplate: 1" x 2-1/4" round corner<br>Bolt: 1" throw with hardened steel rod<br>Handle:<br>2-3/8" and 2-3/4" adjustable (C9074 R/S)<br>Faceplate: 1" x 2-1/4" round corner |
| <b>Backset</b>        | Fits 2-3/8" and 2-3/4"  | <b>Strikes</b>      | Deadbolt: 2-1/4" Rd. & Sq. corner (9118 R/S)<br>1 1/8" X 2 3/4"<br>Thumbpiece: 2-1/4" full lip Rd. & Sq. corner (9103 & 9102). Includes Reinforcement Plate  |
| <b>Door Thickness</b> | 1-3/8" ~ 1-3/4" door standard<br>2-1/4" Ext. Kits available   | <b>Wood Screws</b>  | Combination screws that suit both wood or metal door mounting. Includes 3" Security Screws   |
| <b>Cylinder</b>       | SC1 5-pin standard; KW1 5-pin optional<br>Handlesets packed KD  | <b>Door Handing</b> | Specify handing when ordering lever as interior option   |

## CANDLER GRADE 2

Shown in Oil Rubbed Bronze Edged



## BOX PACK

| Model     | Function        | WT/<br>CTN | CTN<br>QTY |          | US10BE<br>Edged Bronze |
|-----------|-----------------|------------|------------|----------|------------------------|
| 400-CO-G2 | Single Cylinder | 38 lb      | 10 Pcs     | Item No. | G2KA4007               |
| 405-CO-G2 | Dummy           | 36 lb      | 10 Pcs     | Item No. | G2KA4057               |

## VISUAL PACK

| Model        | Function        | WT/<br>CTN | CTN<br>QTY |          | US19<br>Matte Black |
|--------------|-----------------|------------|------------|----------|---------------------|
| SA-VB-400-CO | Single Cylinder | 38 lb      | 10 Pcs     | Item No. | VBG2KA4004          |



# CALLAN® ENTRANCE HANDLESETS

## INTERIOR OPTIONS FOR CALLAN HANDLESETS



Asheville (AH)



Bennett (BN)



Kendall (KI)



Newport (NE)



Silona (SL)



Carlyle (CA)



Fairfield (FD)



Saxon (SA)

## INTERIOR OPTIONS FOR COLTON AND CHATHAM

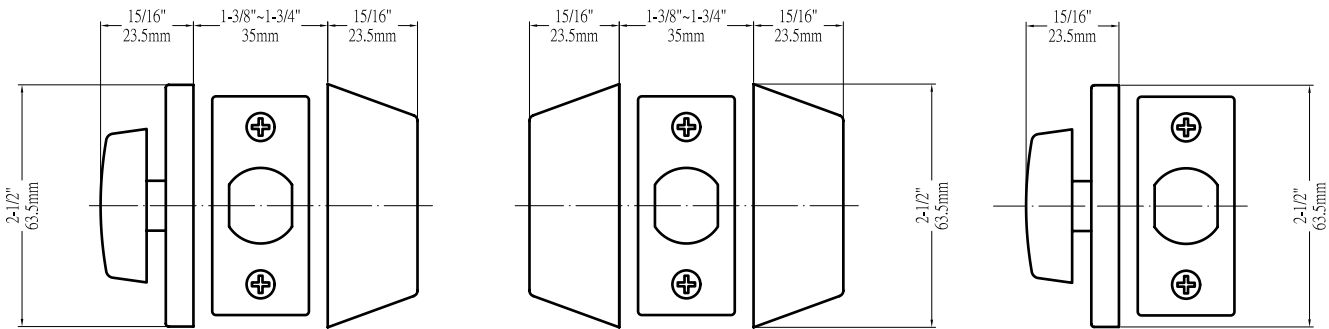
| Style          | Function | Item No. | US15<br>Satin Nickel | US26<br>Bright<br>Chrome | US10B<br>Oil Rubbed Bronze | US10BE<br>Edged Bronze | US19<br>Matte Black |
|----------------|----------|----------|----------------------|--------------------------|----------------------------|------------------------|---------------------|
| Bennett (BN)   | Interior | Item No. | BN5171 (R/L)         | —                        | —                          | BN5177 (R/L)           | BN5174 (R/L)        |
| Kendall (KI)   | Interior | Item No. | KI5071R              | —                        | —                          | KI5077R                | —                   |
| Asheville (AH) | Interior | Item No. | AH5071               | —                        | —                          | —                      | —                   |
| Newport (NE)   | Interior | Item No. | KN5071               | —                        | KN5070                     | KN5077                 | —                   |
| Silona (SL)    | Interior | Item No. | ST5071               | ST5076                   | —                          | ST5077                 | —                   |
| Carlyle (CA)   | Interior | Item No. | KE1071               | —                        | KE1070                     | KE1077                 | KE1074              |
| Fairfield (FD) | Interior | Item No. | KR1071               | —                        | KR1070                     | KR1077                 | KR1074              |
| Saxon (SA)     | Interior | Item No. | KS1071               | —                        | KS1070                     | KS1077                 | KS1074              |

# CALLAN® DEADBOLTS

## Specifications

|                       |  |                    |  |
|-----------------------|--|--------------------|--|
| <b>Door Prep</b>      | Cross bore: 2-1/8"<br>Edge bore: 1"<br>Latch face: 1" x 2-1/4" | <b>Latches</b>     | Deadbolt: 2-3/8" & 2-3/4" adjustable (9092)<br>Faceplate: 1" x 2-1/4" round corner<br>Bolt: 1" throw with hardened steel rod |
| <b>Backset</b>        | 200S / 210S: Fits 2-3/8" and 2-3/4"<br>205S: Fixed 2-3/8"      | <b>Strikes</b>     | 2-1/4" full lip round corner (9113 & 9117)   |
| <b>Door Thickness</b> | 1-3/8" ~ 1-3/4" door standard<br>2-1/4" Ext. Kit available     | <b>Wood Screws</b> | Combination screws that suit both wood or metal door mounting  |
| <b>Cylinder</b>       | KW1 5-pin standard. SC1 5-pin optional deadbolts packed KA5    |                    |  |

## DEADBOLT



Single Cylinder (200)



Double Cylinder (210)



One-Sided Half Bore (205)

## BOX PACK

| Model | Function               |          | US3<br>Bright<br>Brass | US5<br>Antique<br>Brass | US15<br>Satin<br>Nickel | US15A<br>Antique<br>Nickel | US26<br>Bright<br>Chrome | AS<br>Antique<br>Silver | US10B<br>Oil<br>Rubbed<br>Bronze | US10BE<br>Edged<br>Bronze | US19<br>Matte<br>Black |
|-------|------------------------|----------|------------------------|-------------------------|-------------------------|----------------------------|--------------------------|-------------------------|----------------------------------|---------------------------|------------------------|
| 200S  | Single<br>Cylinder     | Item No. | KA2003                 | KA2005                  | KA2001                  | KA2008                     | KA2006                   | KA2002                  | KA2000                           | KA2007                    | KA2004                 |
| 210S  | Double<br>Cylinder     | Item No. | KA2103                 | —                       | KA2101                  | KA2108                     | —                        | —                       | —                                | KA2107                    | KA2104                 |
| 205S  | One-Sided<br>Half-Bore | Item No. | —                      | —                       | KD2001                  | —                          | —                        | —                       | —                                | —                         | —                      |

## VISUAL PACK

| Model   | Function        | WT/<br>LB | CTN<br>QTY |          | US3<br>Bright Brass | US15<br>Satin Nickel | US10BE<br>Edged Bronze | US19<br>Matte Black |
|---------|-----------------|-----------|------------|----------|---------------------|----------------------|------------------------|---------------------|
| VP-200S | Single Cylinder | 23 lb     | 20<br>Pcs  | Item No. | VPKA2003            | VPKA2001             | VPKA2007               | VPKA2004            |
| VP-210S | Double Cylinder | 27 lb     | 20<br>Pcs  | Item No. | —                   | VPKA2101             | —                      | —                   |

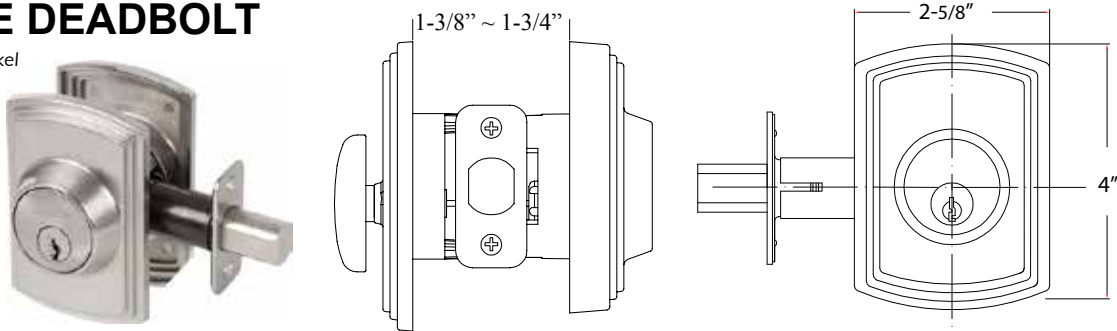
# CALLAN® DEADBOLTS

## Specifications

|                       |  |                    |   |
|-----------------------|--|--------------------|---|
| <b>Door Prep</b>      | Cross bore: 2-1/8"<br>Edge bore: 1"<br>Latch face: 1" x 2-1/4" | <b>Latches</b>     | Deadbolt: 2-3/8" & 2-3/4" adjustable (C9092 R/S)<br>Faceplate: 1" x 2-1/4" Rd. & Sq. corner<br>Bolt: 1" throw with hardened steel rod |
| <b>Backset</b>        | Fits 2-3/8" and 2-3/4"   | <b>Strikes</b>     | 2-1/4" full lip Rd. & Sq. corner (9118 R&S)<br>Includes Reinforcement Strike.   |
| <b>Door Thickness</b> | 1-3/8" ~ 1-3/4" door standard,<br>2-1/4" Ext. Kit available    | <b>Wood Screws</b> | Combination screws that suit both wood or metal door mounting<br>Includes 3" Security Screws  |
| <b>Cylinder</b>       | SC1 5-pin standard; KW1 5-pin optional<br>Deadbolts packed KA5 | <b>Features</b>    | Protective collar<br>High Security Strike Plate<br>Interlocking installation guides<br>Reinforced spring assembly                     |

## SQUARE DEADBOLT

Shown in Satin Nickel

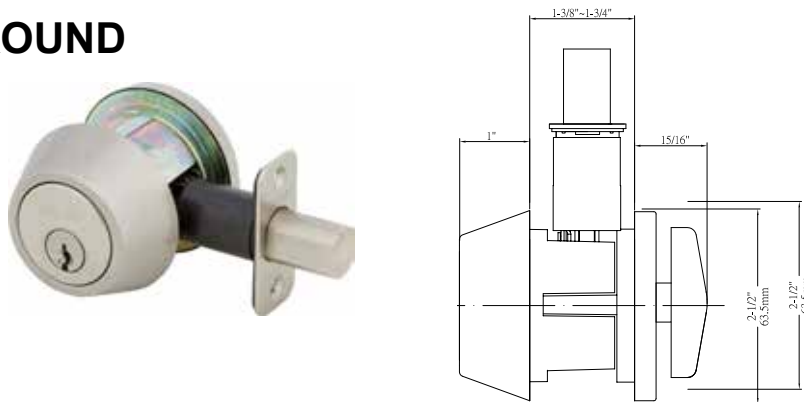


## BOX PACK

| Model | Function        | WT/CTN | CTN QTY |          | US15<br>Satin Nickel | US10BE<br>Edged Bronze | US19<br>Matte Black |
|-------|-----------------|--------|---------|----------|----------------------|------------------------|---------------------|
| 200S  | Single Cylinder | 21 lb  | 10 Pcs  | Item No. | 372001               | 372007                 | 372004              |

## GRADE 2 ROUND

Shown in Satin Nickel



## BOX PACK

| Model   | Function        | WT/LB | CTN QTY |          | US15<br>Satin Nickel | US10BE<br>Edged Bronze | US19<br>Matte Black |
|---------|-----------------|-------|---------|----------|----------------------|------------------------|---------------------|
| 200S-G2 | Single Cylinder | 19 lb | 10 Pcs  | Item No. | G2KA2001             | G2KA2007               | G2KA2004            |

## VISUAL PACK

| Model      | Function        | WT/LB | CTN QTY |          | US15<br>Satin Nickel | US10BE<br>Edged Bronze |
|------------|-----------------|-------|---------|----------|----------------------|------------------------|
| VB-200S-G2 | Single Cylinder | 23 lb | 10 Pcs  | Item No. | VBG2KA2001           | VBG2KA2007             |

# CALLAN<sup>®</sup>

## KNOBS & LEVERS

### Grade 3

#### Knobs (Round Trim)

Brayden  
Carlyle  
Fairfield  
Saxon

#### Knobs (Square Trim)

Canova  
Santo

#### Levers (Round Trim)

Bennett  
Kendall  
Lexington  
Newport  
Silona

#### Levers (Square Trim)

Artino  
Sorado  
Ashville

### Grade 2

#### Knobs (Round Trim)

Edgewood  
Roland  
Sawyer

#### Levers (Round Trim)

Bentley  
Nolan



*Silona in Antique Silver*

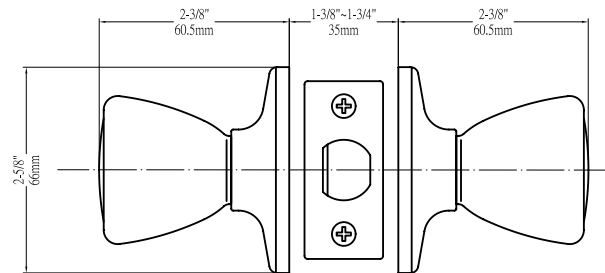


# CALLAN® KNOBS

|                                  |  |                                   |  |
|----------------------------------|--|-----------------------------------|--|
| <b>Latches (For Round Trim)</b>  | Entrance: 2-3/8" and 2-3/4" adjustable (9073)<br>Passage/Privacy: 2-3/8" & 2-3/4" adjustable (9074)<br>Faceplate: 1" x 2-1/4" round corner<br>Bolt: 1/2" throw | <b>Latches (For Square Trim)</b>  | Entrance: 2-3/8" and 2-3/4" adjustable (C9060 R/S)<br>Passage/Privacy: 2-3/8" and 2-3/4" adj. (C9064 R/S)<br>Faceplate: 1" x 2-1/4" Rd. and Sq. corner<br>Bolt: 1/2" throw |
| <b>Cylinder (For Round Trim)</b> | For Round Trim Knobs - KW1 5-pin standard; SC1 5-pin optional / Entries packed KA5   | <b>Cylinder (For Square Trim)</b> | For Square Trim Knobs - SC1 5-pin standard; KW1 5-pin optional / Entries packed KA5  |
| <b>Door Thickness</b>            | 1-3/8" ~ 1-3/4" door standard<br>2-1/4" Ext. Kit available   | <b>Backset</b>                    | Fits 2-3/8" and 2-3/4"   |
| <b>Wood Screws</b>               | Combination screws that suit both wood or metal door mounting  | <b>Strikes</b>                    | Round - 1-3/4" x 2-1/4" full lip round corner (9103)<br>Square - 1-3/4" x 2-1/4" full lip Rd. and Sq. corner (9103 & 9102)   |
| <b>Door Prep</b>                 | Cross bore: 2-1/8" / Edge bore: 1"   Latch face: 1" x 2-1/4"   |                                   |  |

## BRAYDEN

Shown in Satin Nickel



## BOX PACK

| Model   | Function | WT/<br>LB | CTN<br>QTY |          | US3<br>Bright Brass | US15<br>Satin Nickel |
|---------|----------|-----------|------------|----------|---------------------|----------------------|
| 100T-BR | Entrance | 27 lb     | 20 Pcs     | Item No. | KA1003              | KA1001               |
| 101T-BR | Passage  | 22 lb     | 20 Pcs     | Item No. | KA1013              | KA1011               |
| 102T-BR | Privacy  | 22 lb     | 20 Pcs     | Item No. | KA1023              | KA1021               |
| 115T-BR | Dummy    | 9 lb      | 20 Pcs     | Item No. | KA1053              | KA1051               |
| 300T-BR | Combo    | 54 lb     | 10 Pcs     | Item No. | KA3003              | KA3001               |

## VISUAL PACK

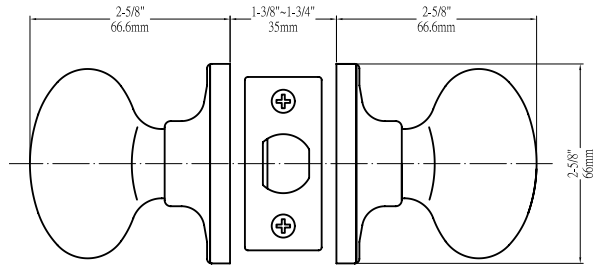
| Model      | Function     | WT/<br>LB | CTN<br>QTY |          | US3<br>Bright Brass | US15<br>Satin Nickel |
|------------|--------------|-----------|------------|----------|---------------------|----------------------|
| VP-100T-BR | Entrance     | 27 lb     | 16 Pcs     | Item No. | VPKA1003            | VPKA1001             |
| VP-101T-BR | Passage      | 23 lb     | 16 Pcs     | Item No. | VPKA1013            | VPKA1011             |
| VP-102T-BR | Privacy      | 24 lb     | 16 Pcs     | Item No. | VPKA1023            | VPKA1021             |
| VP-115T-BR | Dummy (Pair) | 24 lb     | 16 Pcs     | Item No. | VPKA1053*           | VPKA1051             |
| VP-300T-BR | Combo        | 27 lb     | 6 Pcs      | Item No. | VPKA3003            | VPKA3001             |

\*Special Order Product. Call Customer Service at 800-952-4430

# CALLAN® KNOBS

## CARLYLE

Shown in Satin Nickel

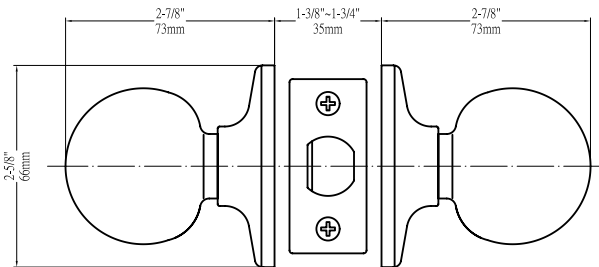


### BOX PACK

| Model   | Function | WT/<br>LB | CTN<br>QTY | Item No. | US15<br>Satin<br>Nickel | US15A<br>Antique<br>Nickel | US10B<br>Oil Rubbed<br>Bronze | US10BE<br>Edged<br>Bronze | US19<br>Matte<br>Black | Antique<br>Silver |
|---------|----------|-----------|------------|----------|-------------------------|----------------------------|-------------------------------|---------------------------|------------------------|-------------------|
| 100T-CA | Entrance | 27 lb     | 20 Pcs     | Item No. | KE1001                  | KE1008                     | KE1000                        | KE1007                    | KE1004                 | KE1002            |
| 101T-CA | Passage  | 22 lb     | 20 Pcs     | Item No. | KE1011                  | KE1018                     | KE1010                        | KE1017                    | KE1014                 | KE1012            |
| 102T-CA | Privacy  | 22 lb     | 20 Pcs     | Item No. | KE1021                  | KE1028                     | KE1020                        | KE1027                    | KE1024                 | KE1022            |
| 115T-CA | Dummy    | 9 lb      | 20 Pcs     | Item No. | KE1051                  | KE1058                     | KE1050                        | KE1057                    | KE1054                 | KE1052            |
| 300T-CA | Combo    | 54 lb     | 10 Pcs     | Item No. | KE3001                  | —                          | KE3000                        | KE3007                    | KE3004                 | —                 |

## FAIRFIELD

Shown in Satin Nickel



### BOX PACK

| Model   | Function | WT/<br>LB | CTN<br>QTY | Item No. | US3<br>Bright<br>Brass | US15<br>Satin<br>Nickel | US10B<br>Oil Rubbed<br>Bronze | US10BE<br>Edged<br>Bronze | US19<br>Matte<br>Black |
|---------|----------|-----------|------------|----------|------------------------|-------------------------|-------------------------------|---------------------------|------------------------|
| 100T-FD | Entrance | 27 lb     | 20 Pcs     | Item No. | KR1003                 | KR1001                  | KR1000                        | KR1007                    | KR1004                 |
| 101T-FD | Passage  | 22 lb     | 20 Pcs     | Item No. | KR1013                 | KR1011                  | KR1010                        | KR1017                    | KR1014                 |
| 102T-FD | Privacy  | 22 lb     | 20 Pcs     | Item No. | KR1023                 | KR1021                  | KR1020                        | KR1027                    | KR1024                 |
| 115T-FD | Dummy    | 9 lb      | 10 Pcs     | Item No. | KR1053                 | KR1051                  | KR1050                        | KR1057                    | KR1054                 |
| 300T-FD | Combo    | 54 lb     | 20 Pcs     | Item No. | KR3003                 | KR3001                  | KR3000                        | KE3004                    | —                      |

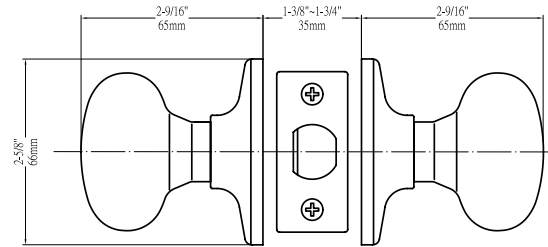
# CALLAN<sup>®</sup> KNOBS

## FAIRFIELD continued VISUAL PACK

| Model      | Function     | WT/<br>LB | CTN QTY |          | US15<br>Satin Nickel | US10BE<br>Edged<br>Bronze | US19<br>Matte Black |
|------------|--------------|-----------|---------|----------|----------------------|---------------------------|---------------------|
| VP-100T-FD | Entrance     | 27 lb     | 16 Pcs  | Item No. | VPKR1001             | VPKR1007                  | VPKR1004            |
| VP-101T-FD | Passage      | 23 lb     | 16 Pcs  | Item No. | VPKR1011             | VPKR1017                  | VPKR1014            |
| VP-102T-FD | Privacy      | 24 lb     | 16 Pcs  | Item No. | VPKR1021             | VPKR1027                  | VPKR1024            |
| VP-115T-FD | Dummy (Pair) | 13 lb     | 16 Pcs  | Item No. | VPKR1051             | VPKR1057                  | VPKR1054            |
| VP-300T-FD | Combo        | 27 lb     | 6 Pcs   | Item No. | VPKR3001             | —                         | —                   |

## SAXON

Shown in Satin Nickel



## BOX PACK

| Model   | Function | WT/<br>LB | CTN QTY |          | US3<br>Bright<br>Brass | US15<br>Satin<br>Nickel | US15A<br>Antique<br>Nickel | US5<br>Antique<br>Brass | US26<br>Bright<br>Chrome | US10B<br>Oil Rubbed<br>Bronze | US10BE<br>Edged<br>Bronze | US19<br>Matte<br>Black | AS<br>Antique<br>Silver |
|---------|----------|-----------|---------|----------|------------------------|-------------------------|----------------------------|-------------------------|--------------------------|-------------------------------|---------------------------|------------------------|-------------------------|
| 100T-SA | Entrance | 27 lb     | 20 Pcs  | Item No. | KS1003                 | KS1001                  | KS1008                     | KS1005                  | KS1006                   | KS1000                        | KS1007                    | KS1004                 | KS1002                  |
| 101T-SA | Passage  | 22 lb     | 20 Pcs  | Item No. | KS1013                 | KS1011                  | KS1018                     | KS1015                  | KS1016                   | KS1010                        | KS1017                    | KS1014                 | KS1012                  |
| 102T-SA | Privacy  | 22 lb     | 20 Pcs  | Item No. | KS1023                 | KS1021                  | KS1028                     | KS1025                  | KS1026                   | KS1020                        | KS1027                    | KS1024                 | KS1022                  |
| 115T-SA | Dummy    | 9 lb      | 20 Pcs  | Item No. | KS1053                 | KS1051                  | KS1058                     | KS1055                  | KS1056                   | KS1050                        | KS1057                    | KS1054                 | KS1052                  |
| 300T-SA | Combo    | 54 lb     | 10 Pcs  | Item No. | KS3003                 | KS3001                  | —                          | —                       | —                        | KS3000                        | KS3007                    | KS3004                 | —                       |

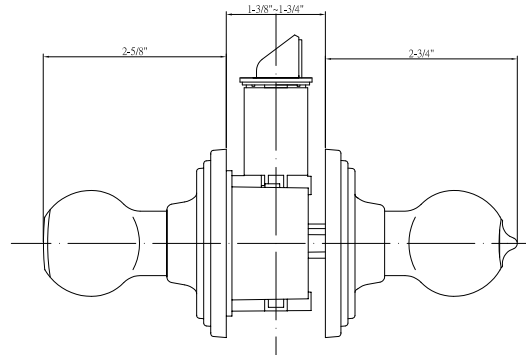
## VISUAL PACK

| Model      | Function     | WT/<br>LB | CTN<br>QTY |          | US3<br>Bright Brass | US15<br>Satin Nickel | US10BE<br>Edged Bronze | US19<br>Matte Black |
|------------|--------------|-----------|------------|----------|---------------------|----------------------|------------------------|---------------------|
| VP-100T-SA | Entrance     | 27 lb     | 16 Pcs     | Item No. | VPKS1003            | VPKS1001             | VPKS1007               | VPKS1004            |
| VP-101T-SA | Passage      | 22 lb     | 16 Pcs     | Item No. | VPKS1013            | VPKS1011             | VPKS1017               | VPKS1014            |
| VP-102T-SA | Privacy      | 23 lb     | 16 Pcs     | Item No. | VPKS1023            | VPKS1021             | VPKS1027               | VPKS1024            |
| VP-115T-SA | Dummy (Pair) | 13 lb     | 16 Pcs     | Item No. | VPKS1053            | VPKS1051             | VPKS1057               | VPKS1054            |
| VP-300T-SA | Combo        | 27 lb     | 6 Pcs      | Item No. | —                   | VPKS3001             | VPKS3007               | —                   |

# CALLAN® KNOBS

## CANOVA

Shown in Satin Nickel



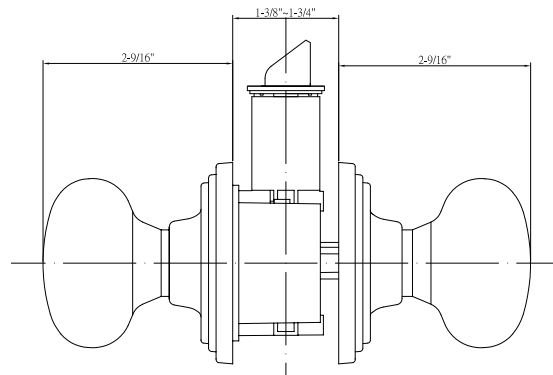
### BOX PACK

| Model    | Function | WT/<br>CTN | CTN<br>QTY |          | US15<br>Satin Nickel | US10BE<br>Edged Bronze | US19<br>Matte Black |
|----------|----------|------------|------------|----------|----------------------|------------------------|---------------------|
| 100T-CN* | Entrance | 25 lb      | 10 Pcs     | Item No. | 360501               | 360507                 | 360504              |
| 101T-CN  | Passage  | 20 lb      | 10 Pcs     | Item No. | 364501               | 364507                 | 364504              |
| 102T-CN  | Privacy  | 21 lb      | 10 Pcs     | Item No. | 362501               | 362507                 | 362504              |
| 115T-CN  | Dummy    | 17 lb      | 20 Pcs     | Item No. | 365501               | 365507                 | 365504              |

\* Standard SC1 5-pin Cylinder

## SANTO

Shown in Satin Nickel



### BOX PACK

| Model    | Function | WT/<br>CTN | CTN<br>QTY |          | US15<br>Satin Nickel | US10BE<br>Edged Bronze | US19<br>Matte Black |
|----------|----------|------------|------------|----------|----------------------|------------------------|---------------------|
| 100T-SN* | Entrance | 25 lb      | 10 Pcs     | Item No. | 360601               | 360607                 | 360604              |
| 101T-SN  | Passage  | 20 lb      | 10 Pcs     | Item No. | 364601               | 364607                 | 364604              |
| 102T-SN  | Privacy  | 21 lb      | 10 Pcs     | Item No. | 362601               | 362607                 | 362604              |
| 115T-SN  | Dummy    | 17 lb      | 20 Pcs     | Item No. | 365601               | 365607                 | 365604              |

\* Standard SC1 5-pin Cylinder



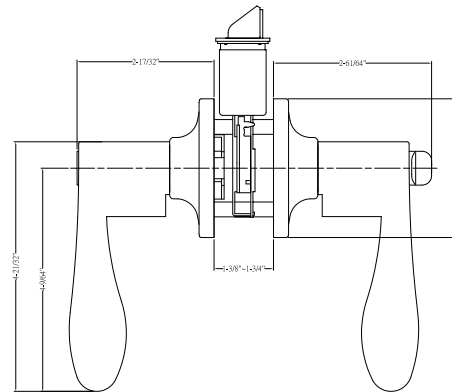
# CALLAN® LEVERS

## Specifications

|                                  |  |                                   |  |
|----------------------------------|--|-----------------------------------|--|
| <b>Latches (For Round Trim)</b>  | Entrance: 2-3/8" and 2-3/4" adjustable (9073)<br>Passage/Privacy: 2-3/8" & 2-3/4" adjustable (9074)<br>Faceplate: 1" x 2-1/4" round corner<br>Bolt: 1/2" throw | <b>Latches (For Square Trim)</b>  | Entrance: 2-3/8" and 2-3/4" adjustable (C9060 R/S)<br>Passage/Privacy: 2-3/8" and 2-3/4" adj. (C9064 R/S)<br>Faceplate: 1" x 2-1/4" Rd. and Sq. corner<br>Bolt: 1/2" throw |
| <b>Cylinder (For Round Trim)</b> | For Round Trim Knobs - KW1 5-pin standard; SC1 5-pin optional / Entries packed KA5   | <b>Cylinder (For Square Trim)</b> | For Square Trim Knobs - SC1 5-pin standard; KW1 5-pin optional / Entries packed KA5  |
| <b>Door Thickness</b>            | 1-3/8" ~ 1-3/4" door standard<br>2-1/4" Ext. Kit available   | <b>Backset</b>                    | Fits 2-3/8" and 2-3/4"   |
| <b>Wood Screws</b>               | Combination screws that suit both wood or metal door mounting  | <b>Strikes</b>                    | Round - 1-3/4" x 2-1/4" full lip round corner (9103)<br>Square - 1-3/4" x 2-1/4" full lip Rd. and Sq. corner (9103 and 9102)   |
| <b>Door Prep</b>                 | Cross bore: 2-1/8" / Edge bore: 1"<br>Latch face: 1" x 2-1/4"  | <b>Door Handing</b>               | Reversible Active. Dummies Handed (Specify)  |
| <b>Features</b>                  | Coin turn Privacy  |                                   |  |

## BENNETT

Shown in Satin Nickel



## BOX PACK

| Model   | Function | WT/CTN | CTN QTY |          | US3<br>Bright Brass | US15<br>Satin Nickel | US15A<br>Antique Nickel | US10BE<br>Edged Bronze | US19<br>Matte Black |
|---------|----------|--------|---------|----------|---------------------|----------------------|-------------------------|------------------------|---------------------|
| 500T-BN | Entrance | 35 lb  | 20 Pcs  | Item No. | BN5103R             | BN5101R              | BN5108R                 | BN5107R                | BN5104R             |
| 501T-BN | Passage  | 23 lb  | 20 Pcs  | Item No. | BN5013R             | BN5011R              | BN5018R                 | BN5017R                | BN5014R             |
| 502T-BN | Privacy  | 24 lb  | 20 Pcs  | Item No. | BN5023R             | BN5021R              | BN5028R                 | BN5027R                | BN5024R             |
| 515T-BN | Dummy    | 15 lb  | 20 Pcs  | Item No. | BN5053 (L/R)        | BN5051 (L/R)         | BN5058 (L/R)            | BN5057 (L/R)           | BN5054 (L/R)        |
| 300T-BN | Combo    | 55 lb  | 10 Pcs  | Item No. | —                   | BN3001R              | —                       | BN3007R                | BN3004R             |

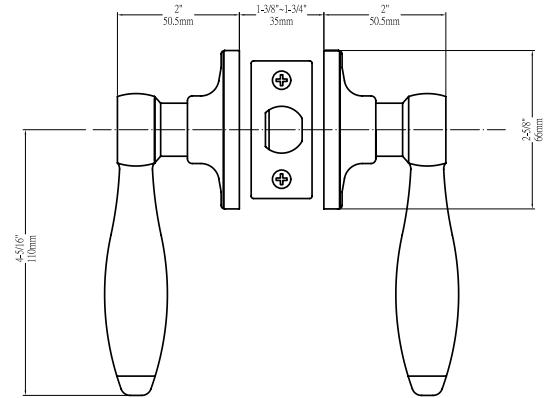
## VISUAL PACK

| Model      | Function     | WT/CTN | CTN QTY |          | US15<br>Satin Nickel | US10BE<br>Edged Bronze | US19<br>Matte Black |
|------------|--------------|--------|---------|----------|----------------------|------------------------|---------------------|
| VP-500T-BN | Entrance     | 35 lb  | 16 Pcs  | Item No. | VPBN5101R            | VPBN5107R              | VPBN5104R           |
| VP-501T-BN | Passage      | 23 lb  | 16 Pcs  | Item No. | VPBN5011R            | VPBN5017R              | VPBN5014R           |
| VP-502T-BN | Privacy      | 24 lb  | 16 Pcs  | Item No. | VPBN5021R            | VPBN5027R              | VPBN5024R           |
| VP-515T-BN | Dummy (Pair) | 15 lb  | 16 Pcs  | Item No. | VPBN5051             | VPBN5057               | VPBN5054            |
| VP-300T-BN | Combo        | 28 lb  | 6 Pcs   | Item No. | VPBN3001R            | VPBN3007R              | VPBN3004R           |

# CALLAN® LEVERS

## KENDALL

Shown in Satin Nickel

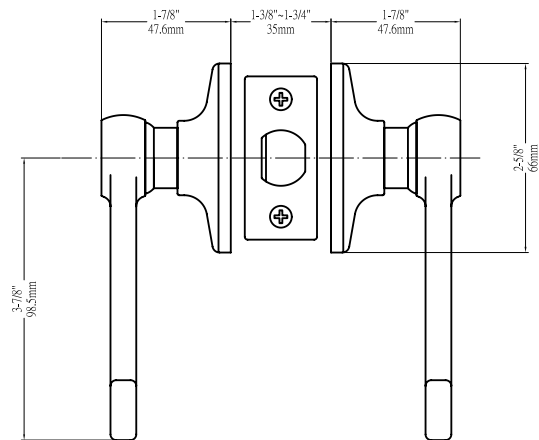


### BOX PACK

| Model   | Function | WT/<br>LB | CTN QTY | Item No. | US15<br>Satin Nickel | US10BE<br>Edged Bronze |
|---------|----------|-----------|---------|----------|----------------------|------------------------|
| 500T-KI | Entrance | 35 lb     | 20 Pcs  | Item No. | KI5101R              | KI5107R                |
| 501T-KI | Passage  | 23 lb     | 20 Pcs  | Item No. | KI5011R              | KI5017R                |
| 502T-KI | Privacy  | 24 lb     | 20 Pcs  | Item No. | KI5021R              | KI5027R                |
| 515T-KI | Dummy    | 15 lb     | 20 Pcs  | Item No. | KI5051R              | KI5057R                |
| 300T-KI | Combo    | 62 lb     | 10 Pcs  | Item No. | KI3001R              | KI3007R                |

## LEXINGTON

Shown in Satin Nickel



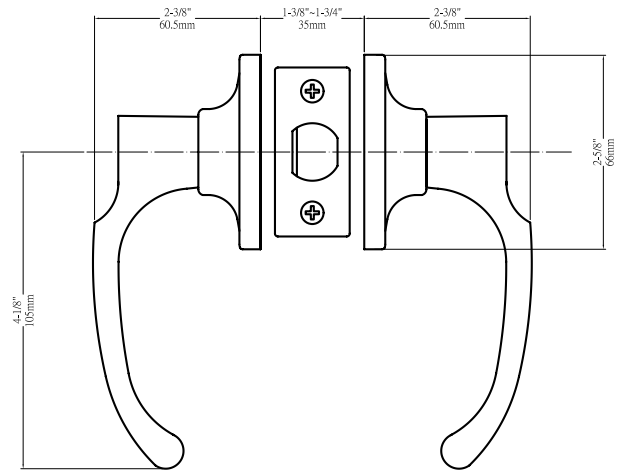
### BOX PACK

| Model   | Function       | WT/<br>CTN | CTN QTY | Item No. | US15<br>Satin Nickel |
|---------|----------------|------------|---------|----------|----------------------|
| 500T-LE | Entrance LE/LE | 35 lb      | 20 Pcs  | Item No. | KA5101R              |
| 501T-LE | Passage        | 23 lb      | 20 Pcs  | Item No. | KA5011R              |
| 502T-LE | Privacy        | 24 lb      | 20 Pcs  | Item No. | KA5021R              |
| 515TLE  | Dummy          | 15 lb      | 20 Pcs  | Item No. | KA5051R              |

# CALLAN® LEVERS

## NEWPORT

Shown in Satin Nickel

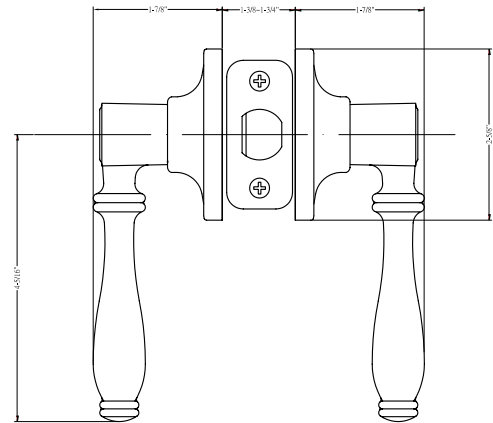


### BOX PACK

| Model   | Function | WT/CTN | CTN QTY |          | US15<br>Satin Nickel | US15A<br>Antique Nickel | US10B<br>Oil Rubbed<br>Bronze | US10BE<br>Edged Bronze |
|---------|----------|--------|---------|----------|----------------------|-------------------------|-------------------------------|------------------------|
| 500T-NE | Entrance | 35 lb  | 20 Pcs  | Item No. | KN5001               | KN5008                  | KN5000                        | KN5007                 |
| 501T-NE | Passage  | 23 lb  | 20 Pcs  | Item No. | KN5011               | KN5018                  | KN5010                        | KN5017                 |
| 502T-NE | Privacy  | 24 lb  | 20 Pcs  | Item No. | KN5021               | KN5028                  | KN5020                        | KN5027                 |
| 515T-NE | Dummy    | 15 lb  | 20 Pcs  | Item No. | KN5051               | KN5058                  | KN5050                        | KN5057                 |
| 300-NE  | Combo    | 62 lb  | 10 Pcs  | Item No. | KN3001               | —                       | KN3000                        | KN3007                 |

## SILONA

Shown in Satin Nickel



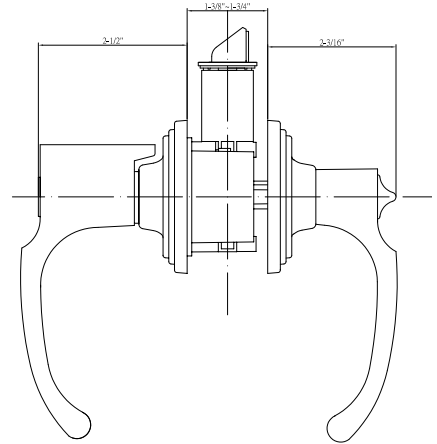
### BOX PACK

| Model   | Function | WT/CTN | CTN QTY |          | US15<br>Satin Nickel | US26<br>Bright Chrome | US10BE<br>Edged Bronze | Antique Silver |
|---------|----------|--------|---------|----------|----------------------|-----------------------|------------------------|----------------|
| 500T-SL | Entrance | 35 lb  | 20 Pcs  | Item No. | ST5101               | ST5106                | ST5107                 | ST5102         |
| 501T-SL | Passage  | 23 lb  | 20 Pcs  | Item No. | ST5011               | ST5016                | ST5017                 | ST5012         |
| 502T-SL | Privacy  | 24 lb  | 20 Pcs  | Item No. | ST5021               | ST5026                | ST5027                 | ST5022         |
| 515T-SL | Dummy    | 15 lb  | 20 Pcs  | Item No. | ST5051               | ST5056                | ST5057                 | ST5052         |

# CALLAN® LEVERS

## ARTINO

Shown in Satin Nickel



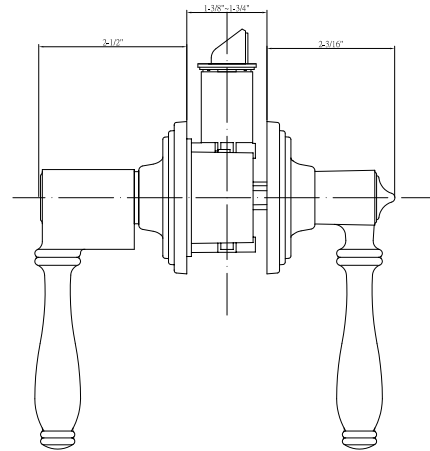
### BOX PACK

| Model    | Function | WT/<br>CTN | CTN<br>QTY |          | US15<br>Satin Nickel | US10BE<br>Edged Bronze | US19<br>Matte Black |
|----------|----------|------------|------------|----------|----------------------|------------------------|---------------------|
| 500T-AR* | Entrance | 25 lb      | 10 Pcs     | Item No. | 360201               | 360207                 | 360204              |
| 501T-AR  | Passage  | 20 lb      | 10 Pcs     | Item No. | 364201               | 364207                 | 364204              |
| 502T-AR  | Privacy  | 21 lb      | 10 Pcs     | Item No. | 362201               | 362207                 | 362204              |
| 515T-AR  | Dummy    | 17 lb      | 20 Pcs     | Item No. | 365201               | 365207                 | 365204              |

\* Standard SC1 5-pin Cylinder

## SORADO

Shown in Matte Black



### BOX PACK

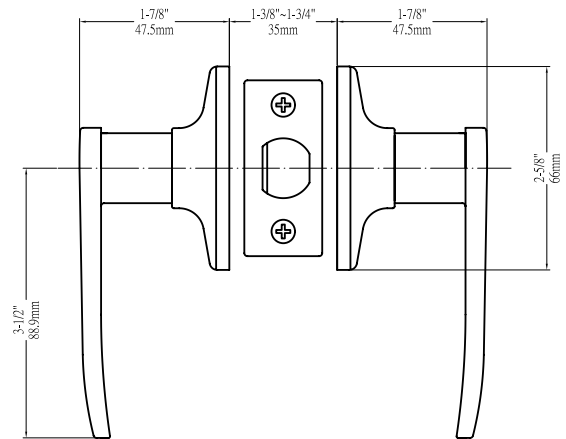
| Model    | Function | WT/<br>CTN | CTN<br>QTY |          | US10BE<br>Edged Bronze | US19<br>Matte Black |
|----------|----------|------------|------------|----------|------------------------|---------------------|
| 500T-SO* | Entrance | 25 lb      | 10 Pcs     | Item No. | 360107                 | 360104              |
| 501T-SO  | Passage  | 20 lb      | 10 Pcs     | Item No. | 364107                 | 364104              |
| 502T-SO  | Privacy  | 21 lb      | 10 Pcs     | Item No. | 362107                 | 362104              |
| 515T-SO  | Dummy    | 17 lb      | 20 Pcs     | Item No. | 365107                 | 365104              |

\* Standard SC1 5-pin Cylinder

# CALLAN<sup>®</sup> LEVERS

## ASHEVILLE

Shown in Satin Nickel



### BOX PACK

| Model   | Function | WT/<br>LB | CTN<br>QTY | US15<br>Satin Nickel |
|---------|----------|-----------|------------|----------------------|
| 500T-AH | Entrance | 35 lb     | 20 Pcs     | Item No. AH5101      |
| 501T-AH | Passage  | 23 lb     | 20 Pcs     | Item No. AH5011      |
| 502T-AH | Privacy  | 24 lb     | 20 Pcs     | Item No. AH5021      |
| 515T-AH | Dummy    | 15 lb     | 20 Pcs     | Item No. AH5051      |

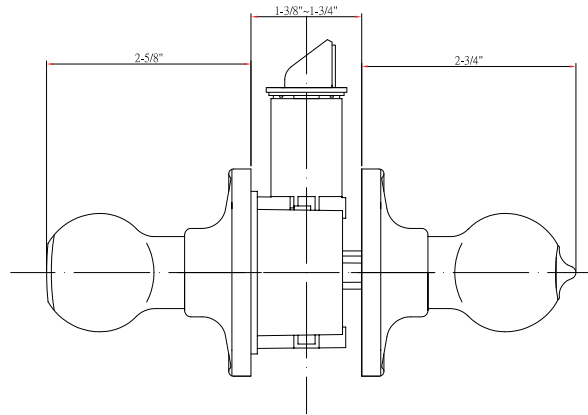
# CALLAN® KNOBS GRADE 2

## Specifications

|                       |   |                         |  |
|-----------------------|---|-------------------------|--|
| <b>Door Prep</b>      | Cross bore: 2-1/8"<br>Edge bore: 1"<br>Latch face: 1" x 2-1/4"                | <b>Latches</b>          | Entrance: 2-3/8" and 2-3/4" adjustable (C9060 R/S)<br>Passage/Privacy: 2-3/8" and 2-3/4" adjustable (C9064 R/S)<br>Faceplate: 1" x 2-1/4" Rd. and Sq. corner<br>Bolt: 1/2" throw |
| <b>Backset</b>        | Fits 2-3/8" and 2-3/4"  | <b>Strikes</b>          | 1-3/4" x 2-1/4" full lip Rd. and Sq. corner (9103 and 9102).<br>Includes Reinforcement Plate   |
| <b>Door Thickness</b> | 1-3/8" ~ 1-3/4" door standard<br>2-1/4" Ext. Kit available for Pass/Priv only | <b>Wood Screws</b>      | Combination screws that suit both wood or metal door mounting. Includes 1-1/2" Security Screws   |
| <b>Cylinder</b>       | SC1 5-pin <b>standard</b> ; KW1 5-pin optional<br>Entries packed KA5          | <b>Grade 2 Features</b> | Full protection collar, Interlocking installation guides, Reinforced spring assembly   |

## EDGEWOOD GRADE 2

Shown in Oil Rubbed Bronze Edged



## BOX PACK

| Model      | Function | WT/LB | CTN QTY |          | US15<br>Satin Nickel | US10BE<br>Edged Bronze |
|------------|----------|-------|---------|----------|----------------------|------------------------|
| 100T-CA-G2 | Entrance | 14 lb | 10 Pcs  | Item No. | G2KE1001             | G2KE1007               |
| 101T-CA-G2 | Passage  | 14 lb | 10 Pcs  | Item No. | G2KE1011             | G2KE1017               |
| 102T-CA-G2 | Privacy  | 14 lb | 10 Pcs  | Item No. | G2KE1021             | G2KE1027               |
| 115T-CA    | Dummy    | 9 lb  | 20 Pcs  | Item No. | KE1051               | KE1057                 |

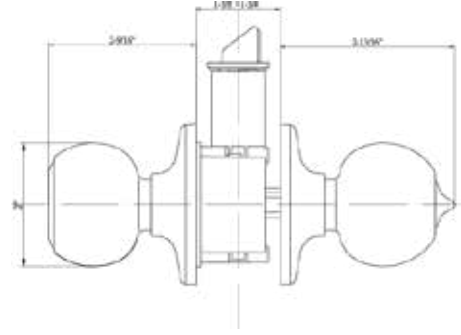
## VISUAL PACK

| Model         | Function     | WT/CTN | CTN QTY |          | US10BE<br>Edged Bronze |
|---------------|--------------|--------|---------|----------|------------------------|
| VB-100T-CA-G2 | Entrance     | 23 lb  | 10 Pcs  | Item No. | VBG2KE1007             |
| VB-101T-CA-G2 | Passage      | 23 lb  | 10 Pcs  | Item No. | VBG2KE1017             |
| VB-102T-CA-G2 | Privacy      | 24 lb  | 10 Pcs  | Item No. | VBG2KE1027             |
| VB-115T-CA    | Dummy (Pair) | 24 lb  | 10 Pcs  | Item No. | VBG2KE1057             |

# CALLAN® KNOBS GRADE 2

## ROLAND GRADE 2

Shown in Satin Nickel

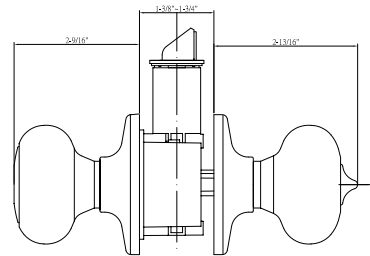


### BOX PACK

| Model   | Function | WT/LB  | CTN QTY | Item No. | US15<br>Satin Nickel |
|---------|----------|--------|---------|----------|----------------------|
| 100T-FD | Entrance | 27 Lbs | 20 Pcs  | Item No. | G2KR1001             |
| 101T-FD | Passage  | 22 Lbs | 20 Pcs  | Item No. | G2KR1011             |
| 102T-FD | Privacy  | 22 Lbs | 20 Pcs  | Item No. | G2KR1021             |
| 115T-FD | Dummy    | 9 Lbs  | 20 Pcs  | Item No. | G2KR1051             |

## SAWYER GRADE 2

Shown in Satin Nickel



### BOX PACK

| Model      | Function | WT/LB | CTN QTY | Item No. | US3<br>Bright Brass | US15<br>Satin Nickel | US10BE<br>Edged Bronze | US5<br>Antique Brass | US19<br>Matte Black |
|------------|----------|-------|---------|----------|---------------------|----------------------|------------------------|----------------------|---------------------|
| 100T-SA-G2 | Entrance | 16 lb | 10 Pcs  | Item No. | G2KS1003            | G2KS1001             | G2KS1007               | G2KS1005             | G2KS1004            |
| 101T-SA-G2 | Passage  | 13 lb | 10 Pcs  | Item No. | G2KS1013            | G2KS1011             | G2KS1017               | G2KS1015             | G2KS1014            |
| 102T-SA-G2 | Privacy  | 13 lb | 10 Pcs  | Item No. | G2KS1023            | G2KS1021             | G2KS1027               | G2KS1025             | G2KS1024            |
| 115T-SA    | Dummy    | 9 lb  | 20 Pcs  | Item No. | KS1053              | KS1051               | KS1057                 | KS1055               | KS1054              |

### VISUAL PACK

| Model         | Function     | WT/LB | CTN QTY | Item No. | US15<br>Satin Nickel | US10BE<br>Edged Bronze | US19<br>Matte Black |
|---------------|--------------|-------|---------|----------|----------------------|------------------------|---------------------|
| VB-100T-SA-G2 | Entrance     | 20 lb | 10 Pcs  | Item No. | VBG2KS1001           | VBG2KS1007             | VBG2KS1004          |
| VB-101T-SA-G2 | Passage      | 17 lb | 10 Pcs  | Item No. | VBG2KS1011           | VBG2KS1017             | VBG2KS1014          |
| VB-102T-SA-G2 | Privacy      | 18 lb | 10 Pcs  | Item No. | VBG2KS1021           | VBG2KS1027             | VBG2KS1024          |
| VB-115T-SA    | Dummy (Pair) | 14 lb | 10 Pair | Item No. | VBKS1051             | VBKS1057               | VBKS1054            |



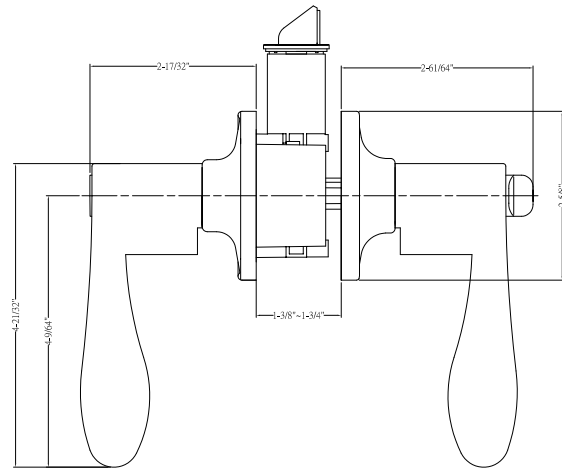
# CALLAN® LEVERS GRADE 2

## Specifications

|                       |   |                         |  |
|-----------------------|---|-------------------------|--|
| <b>Door Prep</b>      | Cross bore: 2-1/8"<br>Edge bore: 1"<br>Latch face: 1" x 2-1/4"                | <b>Latches</b>          | Entrance: 2-3/8" and 2-3/4" adjustable (C9060 R/S)<br>Passage/Privacy: 2-3/8" and 2-3/4" adjustable (C9064 R/S)<br>Faceplate: 1" x 2-1/4" Rd. and Sq. corner<br>Bolt: 1/2" throw |
| <b>Backset</b>        | Fits 2-3/8" and 2-3/4"  | <b>Strikes</b>          | 1-3/4" x 2-1/4" full lip Rd. and Sq. corner (9103 and 9102).<br>Includes Reinforcement Plate   |
| <b>Door Thickness</b> | 1-3/8" ~ 1-3/4" door standard<br>2-1/4" Ext. Kit available for Pass/Priv Only | <b>Wood Screws</b>      | Combination screws that suit both wood or metal door mounting. Includes 1-1/2" Security Screws   |
| <b>Cylinder</b>       | SC1 5-pin <b>standard</b> ; KW1 5-pin optional<br>Entries packed KA5          | <b>Grade 2 Features</b> | Full protection collar, Interlocking installation guides, Reinforced spring assembly   |
| <b>Door Handling</b>  | Reversible lever handing required for dummy function and handleset interior   |                         |  |

## BENTLEY GRADE 2

Shown in Satin Nickel



## BOX PACK

| Model      | Function | WT/<br>CTN | CTN<br>QTY |          | US15<br>Satin Nickel | US10BE<br>Edged Bronze | US19<br>Matte Black |
|------------|----------|------------|------------|----------|----------------------|------------------------|---------------------|
| 500T-BN-G2 | Entrance | 35 lb      | 10 Pcs     | Item No. | G2BN5101R            | G2BN5107R              | G2BN5104R           |
| 501T-BN-G2 | Passage  | 23 lb      | 10 Pcs     | Item No. | G2BN5011R            | G2BN5017R              | G2BN5014R           |
| 502T-BN-G2 | Privacy  | 24 lb      | 10 Pcs     | Item No. | G2BN5021R            | G2BN5027R              | G2BN5024R           |
| 515T-BN    | Dummy    | 15 lb      | 20 Pcs     | Item No. | BN5051 (L/R)         | BN5057 (L/R)           | BN5054 (L/R)        |

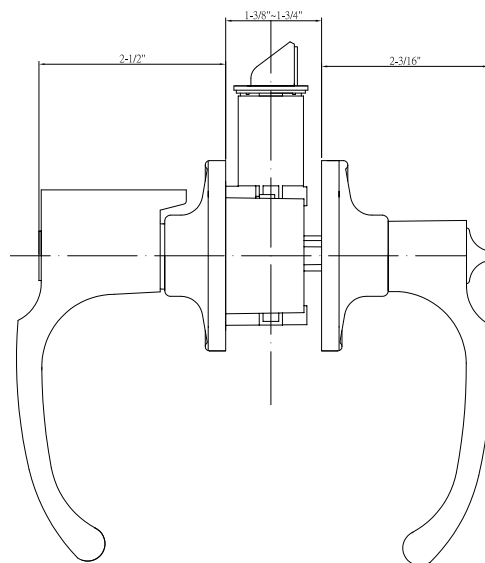
## VISUAL PACK

| Model         | Function     | WT/<br>CTN | CTN<br>QTY |          | US15<br>Satin Nickel | US10BE<br>Edged Bronze |
|---------------|--------------|------------|------------|----------|----------------------|------------------------|
| VB-500T-BN-G2 | Entrance     | 27 lb      | 10 Pcs     | Item No. | VBG2BN5101R          | VBG2BN5107R            |
| VB-501T-BN-G2 | Passage      | 23 lb      | 10 Pcs     | Item No. | VBG2BN5011R          | VBG2BN5017R            |
| VB-502T-BN-G2 | Privacy      | 24 lb      | 10 Pcs     | Item No. | VBG2BN5021R          | VBG2BN5027R            |
| VB-515T-BN    | Dummy (Pair) | 21 lb      | 10 Pcs     | Item No. | VBBN5051             | VBBN5057               |

# CALLAN<sup>®</sup> LEVERS GRADE 2

## NOLAN GRADE 2

Shown in Satin Nickel

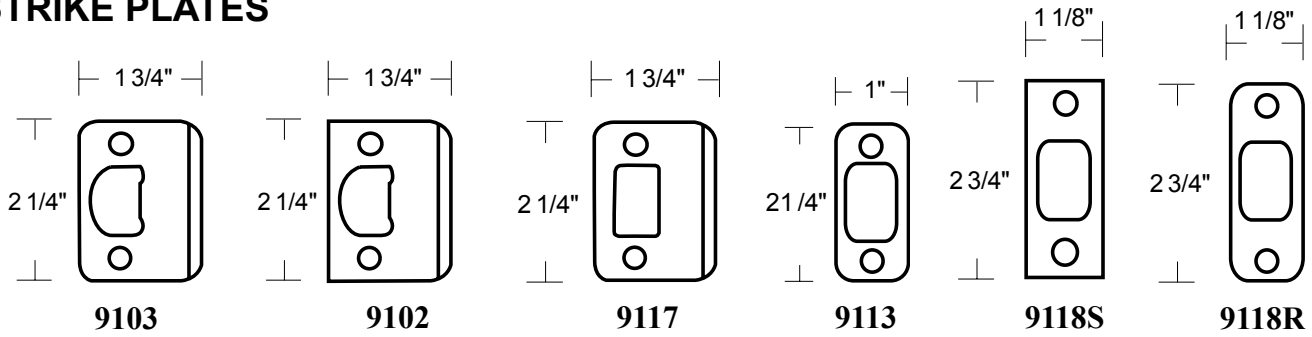


### BOX PACK

| Model      | Function | WT/<br>CTN | CTN<br>QTY | Item No. | US15<br>Satin Nickel |
|------------|----------|------------|------------|----------|----------------------|
| 500T-NE-G2 | Entrance | 21 lb      | 10 Pcs     | Item No. | G2KN5001             |
| 501T-NE-G2 | Passage  | 18 lb      | 10 Pcs     | Item No. | G2KN5011             |
| 502T-NE-G2 | Privacy  | 21 lb      | 10 Pcs     | Item No. | G2KN5021             |
| 515T-NE    | Dummy    | 15 lb      | 20 Pcs     | Item No. | KN5051               |

# CALLAN® STRIKES & LATCHES

## STRIKE PLATES



| Description                            | Style   | US15     | US3      | US5      | US26     | Antique Silver | US15A    | US10B    | US19     |         |
|--|---------|----------|----------|----------|----------|----------------|----------|----------|----------|---------|
| Full Lip Entry Strike (Round Corner)   | 9103    | Item No. | 280002   | 280003*  | 280005*  | 280006         | 280001*  | 280008*  | 280009   | 280004  |
|  |         |          |          |          |          |                |          |          |          |         |
| Full Lip Entry Strike (Square Corner)  | 9102    | Item No. | 280002S* | 280003S* | —        | —              | —        | —        | 280009S* | —       |
|  |         |          |          |          |          |                |          |          |          |         |
| Full Lip Deadbolt Strike               | 9117    | Item No. | 280102   | 280103*  | 280105*  | 280106*        | 280101*  | 280108*  | 280109   | —       |
|  |         |          |          |          |          |                |          |          |          |         |
| Deadbolt Strike                        | 9113    | Item No. | 2891132  | 2891133* | 2891135* | 2891136*       | 2891131* | 2891138* | 2891139  | 2891134 |
|  |         |          |          |          |          |                |          |          |          |         |
| Deadbolt Strike w/ Reinforcement Plate | 9118R/S | Item No. | 2891182  | 2891183  | —        | —              | —        | —        | 2891189  | 2891184 |
|  |         |          |          |          |          |                |          |          |          |         |

\*Special Order Product. Call Customer Service at 800-952-4430

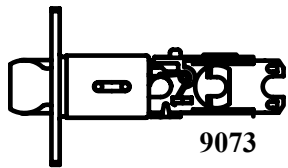
## GRADE 2 LATCHES 2-3/4" ~ 2-3/8"

CALLAN and Italian Collection Latches

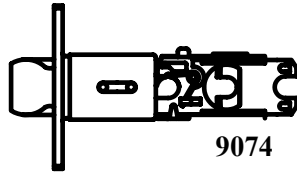
|  | Model     | Description   |          | US15   | US10BE | US3    |
|--|-----------|---|----------|--------|--------|--------|
|  | C9092 R/S | Deadbolt Latch w/ Sq. & Rd. Faceplate                 | Item No. | 378001 | 378007 | 378003 |
|  | C9073 R/S | Entry Deadlatch w/ Sq. & Rd. Faceplate                | Item No. | 378101 | 378107 | 378103 |
|  | C9074 R/S | Passage / Privacy Spring Latch w/ Sq. & Rd. Faceplate | Item No. | 378201 | 378207 | 378203 |

# CALLAN® STRIKES & LATCHES

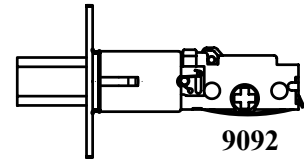
## GRADE 3 LATCHES 2-3/4" ~ 2-3/8"



9073



9074



9092

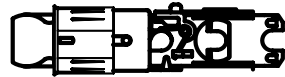
### Mortise Latches

| Description                                 | Style |          | US15<br>Satin<br>Nickel | US3<br>Bright<br>Brass | US5<br>Antique<br>Brass | US26<br>Bright<br>Chrome | US15A<br>Antique<br>Nickel | US10B<br>Oil Rubbed<br>Bronze |
|---|-------|----------|-------------------------|------------------------|-------------------------|--------------------------|----------------------------|-------------------------------|
| Adjustable Dead Latch (Entry)               | 9073  | Item No. | C260001                 | C260003                | C260005                 | C260006                  | C260008                    | C260009                       |
| Adjustable Spring Latch (Passage / Privacy) | 9074  | Item No. | C260051                 | C260053                | C260055*                | C260056                  | C260058                    | C260059                       |
| Adjustable Latch (Deadbolt)                 | 9092  | Item No. | C261001                 | C261003                | C261005*                | C261006                  | C261008*                   | C261009                       |

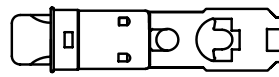
\*Special Order Product. Call Customer Service at 800-952-4430



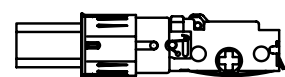
9075



9076



9047



9093

### Drive-In Latches

| Description   | Style | Item No. | Finish |
|---|-------|----------|--------|
| 1" Adjustable Dead Latch (Entry)                              | 9075  | C260061  | US15   |
| 1" Adjustable Spring Latch (Passage / Privacy)                | 9076  | C260121  | US15   |
| 7/8" Adjustable 2-3/8" Fixed Spring Latch (Passage / Privacy) | 9047  | C260120* | US15   |
| 7/8" Adjustable 2-3/4" Fixed Spring Latch (Passage / Privacy) | 9047  | C260122* | US15   |
| 1" Adjustable Latch (Deadbolt)                                | 9093  | C261061  | US15   |

### EXTENSION KITS

| Description  |          | US15<br>Satin Nickel | US10BE - Edged Bronze /<br>Matte Black |
|--|----------|----------------------|--|
| 2-1/4" Extension Kit for Knobs & Levers (Passage & Privacy Only) | Item No. | 377950               | 377951                                 |
| 2-1/4" Extension Kit for Deadbolt                                | Item No. | 377955               | 377956                                 |

# DELANEY®

## SANDCAST COLLECTION

Premium door hardware with a variety of styles and finishes.

### Handlesets

Castille  
Cordoba

### Deadbolts


Rectangle

### Knobs

Sorrento  
Tulum

### Levers

Tiara



Cordoba in  
Aged Black

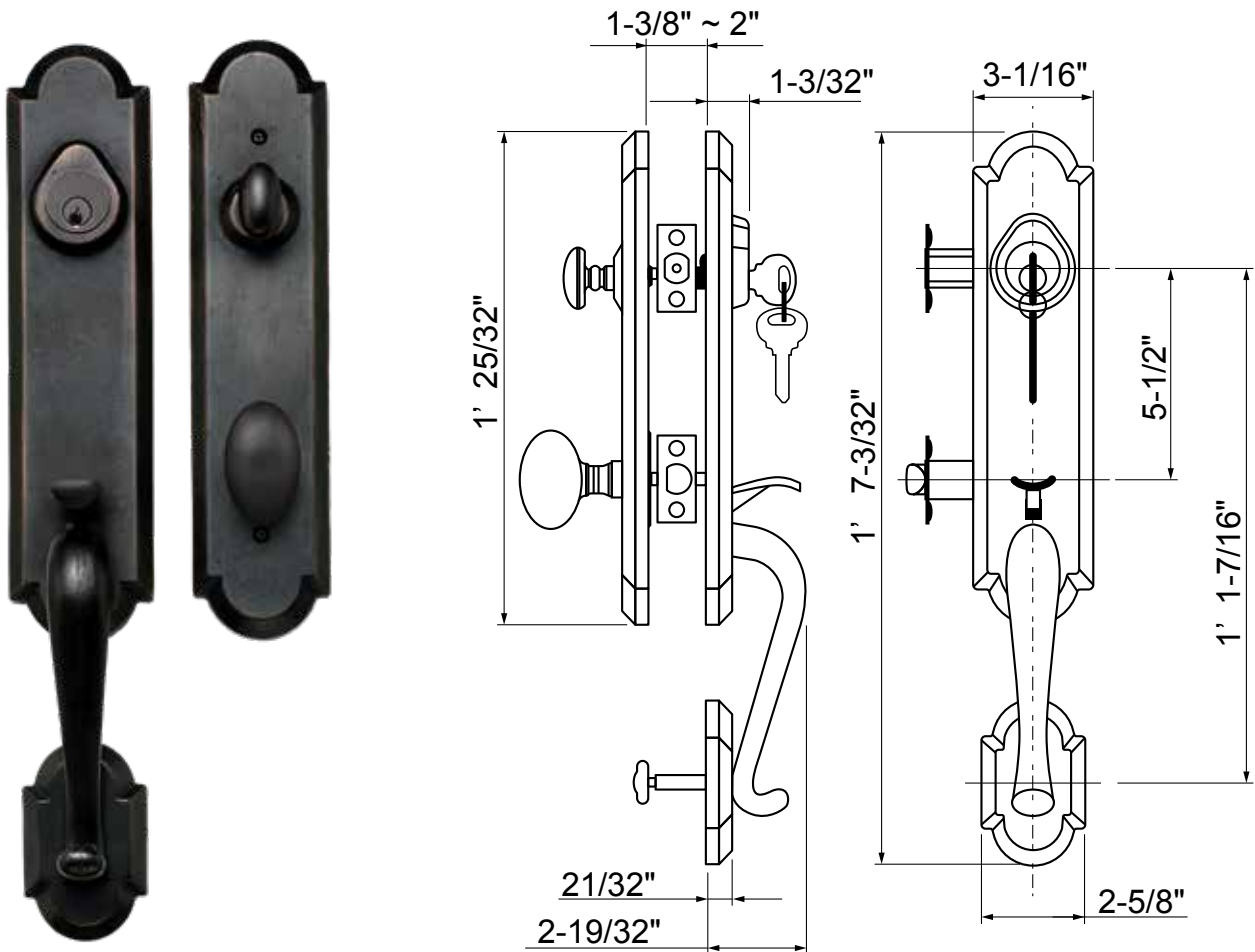
# DELANEY® SANDCAST HANDLESETS

## Specifications

|                       |   |                     |   |
|-----------------------|---|---------------------|---|
| <b>Door Prep</b>      | Deadbolt cross bore: 2-1/8"<br>Handleset cross bore: 2-1/8"<br>Edge bore: 1"<br>Latch Face: 1" x 2-1/4"<br>Mounting (center to center) 5-1/2" | <b>Latches</b>      | Deadbolt: 2-3/8 and 2-3/4 adjustable (9092)<br>Faceplate: 1" x 2-1/4" round corner<br>Bolt: Brass with hardened steel rod, full 1" throw<br>Handle: 2-3/8" & 2-3/4" adjustable (9079R)<br>Faceplate: 1" x 2-1/4" round corner<br>Bolt: 1/2" Solid Brass throw |
| <b>Backset</b>        | Fits 2-3/8" and 2-3/4"  | <b>Strikes</b>      | Deadbolt: Full lip round corner (9117 & 9113)<br>Handle: Full lip round corner (9103 )  |
| <b>Door Thickness</b> | 1-3/8" ~ 2" door standard, 2-1/4" Ext. Kit Available  |                     |   |
| <b>Cylinder</b>       | SC4 6-pin standard. KW1 5-Pin Optional.<br>SC1 5-Pin Optional.Handlesets packed KD  | <b>Wood Screws</b>  | Combination screws that suit both wood or metal door mounting<br>Includes 3" Security Screws  |
| <b>Interconnected</b> | 600-Single Cylinder Handleset only  | <b>Door Handing</b> | Specify handing when ordering lever as Interior option  |

## CASTILLE

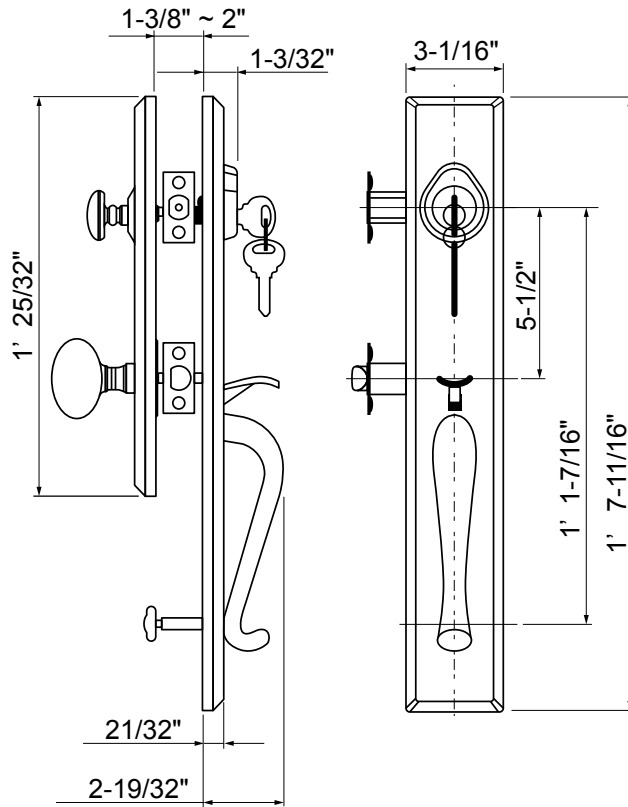
Shown in Aged Bronze



| Model  | Function        | WT/CTN | CTN QTY |          | ABR<br>Aged Bronze | ABK<br>Aged Black |
|--------|-----------------|--------|---------|----------|--------------------|-------------------|
| 600-CA | Single Cylinder | 29 lb  | 2 Pcs   | Item No. | 660800             | 660809            |
| 605-CA | Dummy           | 29 lb  | 2 Pcs   | Item No. | 661800             | 661809            |

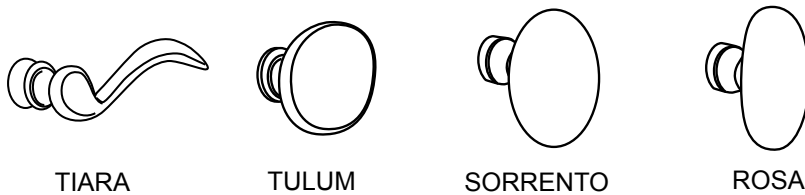
## CORDOBA

Shown in Aged Black



| Model  | Function        | WT/CTN | CTN QTY |          | ABR<br>Aged Bronze | ABK<br>Aged Black |
|--------|-----------------|--------|---------|----------|--------------------|-------------------|
| 600-CD | Single Cylinder | 29 lb  | 2 Pcs   | Item No. | 660500             | 660509            |
| 605-CD | Dummy           | 29 lb  | 2 Pcs   | Item No. | 661500             | 661509            |

## INTERIOR OPTIONS SANDCAST COLLECTION



| Style         | Function            |          | ABR<br>Aged Bronze | ABK<br>Aged Black |
|---------------|---------------------|----------|--------------------|-------------------|
| Tiara - TI    | Interior Lever Only | Item No. | 697600C (L/R)      | 697609C (L/R)     |
| Tulum - TU    | Interior Knob Only  | Item No. | 687500C            | 687509C           |
| Sorrento - SO | Interior Knob Only  | Item No. | 687300C            | 687309C           |
| Rosa - RO     | Interior Knob Only  | Item No. | 687400C            | 687409C           |

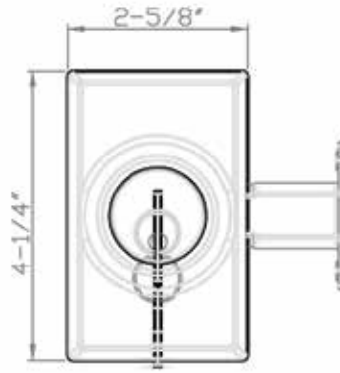


## Specifications

|                       |  |                    |  |
|-----------------------|--|--------------------|--|
| <b>Door Prep</b>      | Cross bore: 2-1/8"<br>Edge bore: 1"<br>Latch face: 1" x 2-1/4" | <b>Latches</b>     | Deadbolt: 2-3/8" & 2-3/4" adjustable (9092)<br>Faceplate: 1" x 2-1/4" round corner<br>Bolt: Brass with hardened steel rod. Full 1" throw |
| <b>Backset</b>        | Fits 2-3/8" and 2-3/4"   | <b>Strikes</b>     | 1-3/4" x 2-1/4" round corner (9113 & 9117)   |
| <b>Door Thickness</b> | 1-3/8" ~ 1-3/4" door standard                                  | <b>Wood Screws</b> | Combination screws that suit both wood or metal door mounting<br>Includes 3" Security Screws   |
| <b>Cylinder</b>       | SC4 6-pin standard. KW1 5-Pin Optional. Deadbolts packed KA4   |                    |  |

## RECTANGLE DEADBOLT

Shown in Aged Black



| Model  | Function           | WT/CTN | CTN QTY |          | ABR<br>Aged Bronze | ABK<br>Aged Black |
|--------|--------------------|--------|---------|----------|--------------------|-------------------|
| 200-IM | Single<br>Cylinder | 34 lb  | 12 Pcs  | Item No. | 631000S            | 631009S           |

## EXTENSION KITS (For SandCast Locksets)

| Description  | ABR / ABK<br>Aged Bronze / Aged Black |        |
|--|---------------------------------------|--------|
| 2-1/4" Extension Kit for Handleset                             | Item No.                              | 210002 |
| 2-1/4" Extension Kit for Deadbolt                              | Item No.                              | 210004 |
| 2-1/4" Extension Kit for Knob/Lever (Passage and Privacy only) | Item No.                              | 210006 |

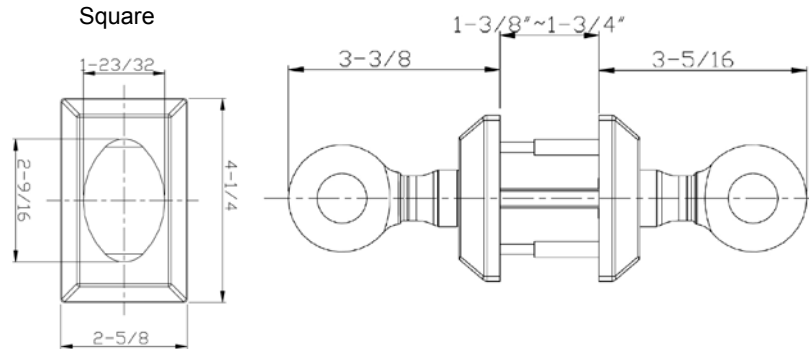
# DELANEY® SANDCAST KNOBS

## Specifications

|  |  |                    |  |
|--|--|--------------------|--|
| <b>Door Prep</b>   | Cross bore: 2-1/8"<br>Edge bore: 1"<br>Latch face: 1" x 2-1/4" | <b>Latches</b>     | Entrance: 2-3/8" & 2-3/4" adjustable (9050R)<br>Passage/Privacy: 2-3/8" & 2-3/4" adjustable (9079R)<br>Faceplate: 1" x 2-1/4" round corner<br>Bolt: 1/2" Solid Brass throw |
| <b>Backset</b>   | Fits 2-3/8" and 2-3/4"   | <b>Strikes</b>     | 1-3/4" x 2-1/4" full lip round corner (9103)   |
| <b>Door Thickness</b>  | 1-3/8" ~ 1-3/4" door standard.                                 | <b>Wood Screws</b> | Combination screws that suit both wood or metal door mounting  |
| <b>Cylinder SC4 6-pin standard. KW1 5-Pin Optional. SC1 5-Pin Optional. Entries packed KA4</b> |  |                    |  |

## SORRENTO

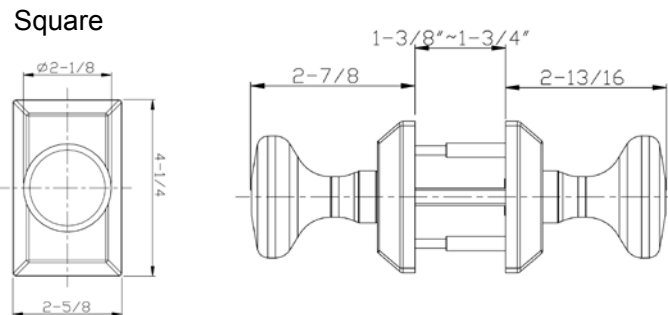
Shown in Aged Black



| Model    | Function | WT/CTN | CTN QTY | Item No. | ABR         | ABK        |
|----------|----------|--------|---------|----------|-------------|------------|
|          |          |        |         |          | Aged Bronze | Aged Black |
|          |          |        |         |          | SQUARE      | SQUARE     |
| 100T-SO  | Entrance | 21 lb  | 4pcs    | Item No. | 681300S     | 681309S    |
| 101T-SO  | Passage  | 31 lb  | 6 Pcs   | Item No. | 684300S     | 684309S    |
| 102T-SO  | Privacy  | 31 lb  | 6 Pcs   | Item No. | 682300S     | 682309S    |
| 115TB-SO | Dummy    | 30 lb  | 6 Pcs   | Item No. | 685300S     | 685309S    |

## TULUM

Shown in Aged Black



| Model    | Function | WT/CTN | CTN QTY | Item No. | ABR         | ABK        |
|----------|----------|--------|---------|----------|-------------|------------|
|          |          |        |         |          | Aged Bronze | Aged Black |
|          |          |        |         |          | SQUARE      | SQUARE     |
| 100T-TU  | Entrance | 21 lb  | 4 Pcs   | Item No. | 681500S     | 681509S    |
| 101T-TU  | Passage  | 31 lb  | 6 Pcs   | Item No. | 6814500S    | 684509S    |
| 102T-TU  | Privacy  | 31 lb  | 6 Pcs   | Item No. | 682500S     | 682509S    |
| 115TB-TU | Dummy    | 31 lb  | 12 Pcs  | Item No. | 685500S     | 685509S    |

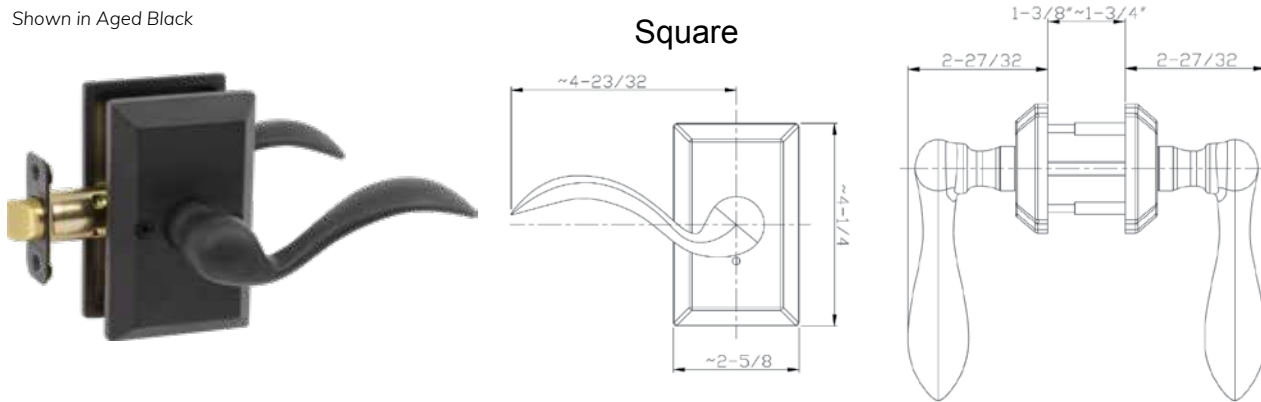
# DELANEY® SANDCAST LEVERS

## Specifications

|                       |  |                     |  |
|-----------------------|--|---------------------|--|
| <b>Door Prep</b>      | Cross bore: 2-1/8"<br>Edge bore: 1"<br>Latch face: 1" x 2-1/4"                         | <b>Latches</b>      | Entrance: 2-3/8" & 2-3/4" adjustable (9050R)<br>Passage/Privacy: 2-3/8" & 2-3/4" adjustable (9079R)<br>Faceplate: 1" x 2-1/4" round corner<br>Bolt: 1/2" Solid Brass throw |
| <b>Backset</b>        | Fits 2-3/8" and 2-3/4"   | <b>Strikes</b>      | 1-3/4" x 2-1/4" full lip round corner (9103)   |
| <b>Door Thickness</b> | 1-3/8" ~ 1-3/4" door standard.   | <b>Wood Screws</b>  | Combination screws that suit both wood or metal door mounting  |
| <b>Cylinder</b>       | SC4 6-pin <b>standard</b> . KW1 5-Pin Optional. SC1 5-Pin Optional. Entries packed KA4 | <b>Door Handing</b> | Specify LH or RH for Entry and Dummy. Privacy and Passage functions are Reversible   |

## TIARA

Shown in Aged Black



| Model    | Function | WT/CTN | CTN QTY |          | ABR<br>Aged Bronze | ABK<br>Aged Black |
|----------|----------|--------|---------|----------|--------------------|-------------------|
| 500T-TI  | Entrance | 20 Lbs | 4 Pcs   | Item No. | 691600S (L/R)      | 691609S (L/R)     |
| 501T-TI  | Passage  | 28 Lbs | 6 Pcs   | Item No. | 694600S            | 694609S           |
| 502T-TI  | Privacy  | 28 Lbs | 6 Pcs   | Item No. | 692600S            | 692609S           |
| 515TB-TI | Dummy    | 24 Lbs | 12 Pcs  | Item No. | 695600S (L/R)      | 695609S (L/R)     |

# DELANEY®

## ENTRANCE HARDWARE

### Grade 3

Avino  
Kellington  
Tralee  
Wicklow

### Grade 2

Katana  
Waterford

### Grade 3 Deadbolts

Traditional  
Contemporary

### Grade 2 Deadbolts

Traditional



Avino in  
Matte Black

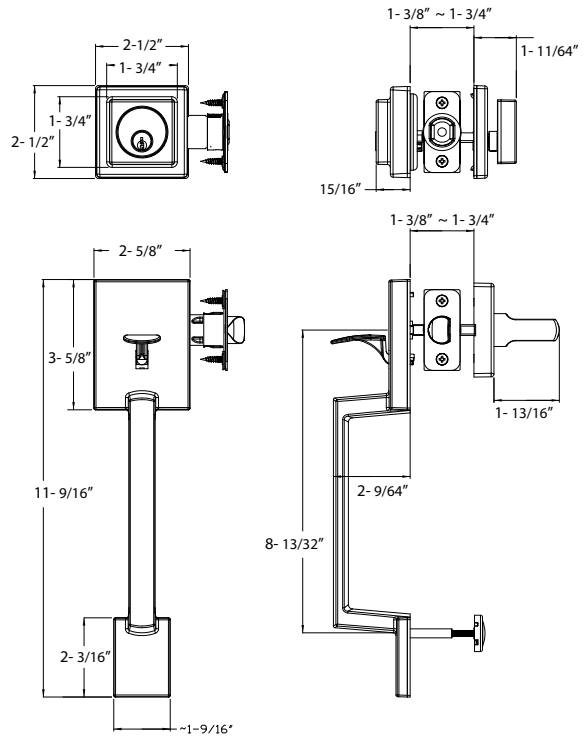
# DELANEY® ENTRANCE HANDLESETS

## Specifications

|                  |   |                       |  |
|------------------|---|-----------------------|--|
| <b>Door Prep</b> | Deadbolt cross bore: 2-1/8"<br>Handleset cross bore: 2-1/8"<br>Edge bore: 1"<br>Latch face: 1" x 2-1/4"<br>Mounting (center to center): 5-1/2" recommended  | <b>Strikes</b>        | Deadbolt: 2-1/4" Rd. and Sq. corner (9111 and 9117)<br>Thumbpiece: 2-1/4" full lip round corner (9103) |
|                  |   | <b>Cylinder</b>       | GR3 KW1 5-pin Standard, SC1 Optional<br>GR2 SC1 5-pin Standard, KW1 Optional. Handlesets packed KD     |
| <b>Backset</b>   | Fits 2-3/8" and 2-3/4"  | <b>Door Handing</b>   | Specify handing when ordering lever as interior option   |
| <b>Latches</b>   | Deadbolt: 2-3/8" and 2-3/4" adjustable (9092)<br>Faceplate: 1" x 2-1/4" round corner<br>Bolt: Solid Brass with hardened steel rod, full 1" throw<br>Handle: 2-3/8" and 2-3/4" adjustable (9074) (for lever and knob)<br>Faceplate: 1" x 2-1/4" round corner<br>Bolt: Solid Brass 1/2" throw | <b>Door Thickness</b> | 1-3/8" ~ 1-3/4" door standard<br>2-1/4" Ext. Kits Available  |
|                  |   | <b>Wood Screws</b>    | Combination screws that suit both wood or metal door mounting.<br>Includes 3" Security Screws          |

## AVINO

Shown in Satin Nickel



## BOX PACK

| Model  | Function        | WT/CTN | CTN QTY |          | US15<br>Satin Nickel | US26<br>Bright Chrome | US19<br>Matte Black |
|--------|-----------------|--------|---------|----------|----------------------|-----------------------|---------------------|
| 400-AV | Single Cylinder | 42 lbs | 10 Pcs  | Item No. | D40201               | D40206                | D40209              |
| 405-AV | Dummy           | 35 lbs | 10 Pcs  | Item No. | D45201               | D45206                | D45209              |

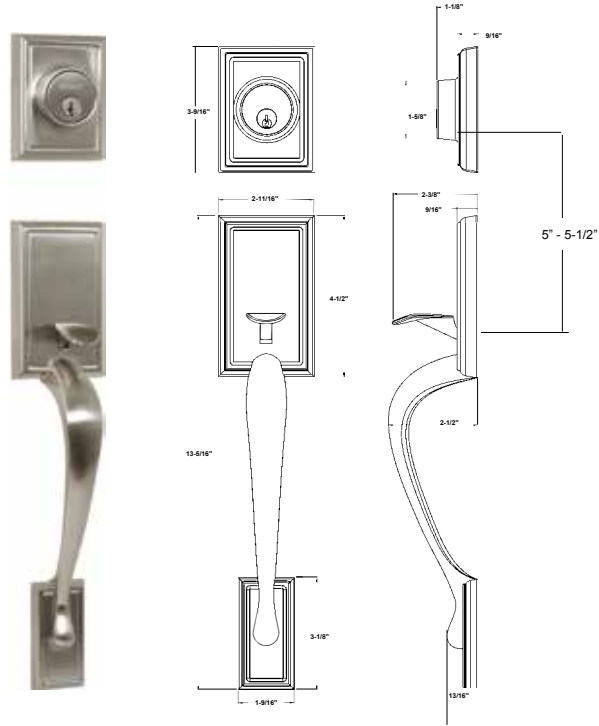
## VISUAL PACK

### AVINO HANDLESET WITH KP300 DIGITAL TOUCHPAD DEADBOLT

| Model                   | Function                                  | WT/CTN | CTN QTY |          | US15<br>Satin Nickel | US26<br>Bright Chrome | US19<br>Matte Black |
|-------------------------|---|--------|---------|----------|----------------------|-----------------------|---------------------|
| 430-AV/VI<br>(VIDA Int) | Single Cylinder w/<br>Electronic Deadbolt | 27 lb  | 4 Pcs   | Item No. | D43201V              | D43206V               | D43209V             |
| 430-AV/KI<br>(KIRA Int) | Single Cylinder w/<br>Electronic Deadbolt | 27 lb  | 4 Pcs   | Item No. | D43201K              | D43206K               | D43209K             |

## KELLINGTON

Shown in Satin Nickel

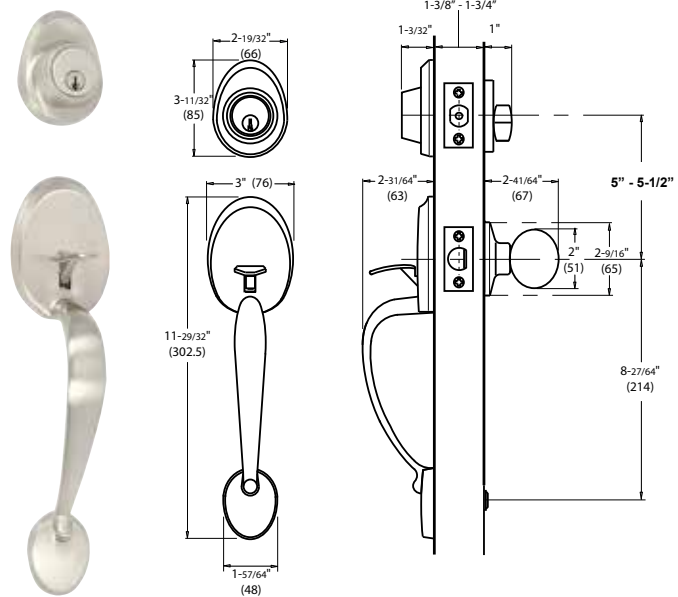


### BOX PACK

| Model  | Function        | WT/CTN | CTN QTY |          | US15<br>Satin Nickel | US19<br>Matte Black | US12P<br>Tuscany Bronze |
|--------|-----------------|--------|---------|----------|----------------------|---------------------|-------------------------|
| 400-KN | Single Cylinder | 33 lbs | 10 Pcs  | Item No. | 240600               | 240607              | 240612                  |
| 405-KN | Dummy           | 33 lbs | 10 Pcs  | Item No. | 240601               | 240617              | 240657                  |

## TRALEE

Shown in Satin Nickel

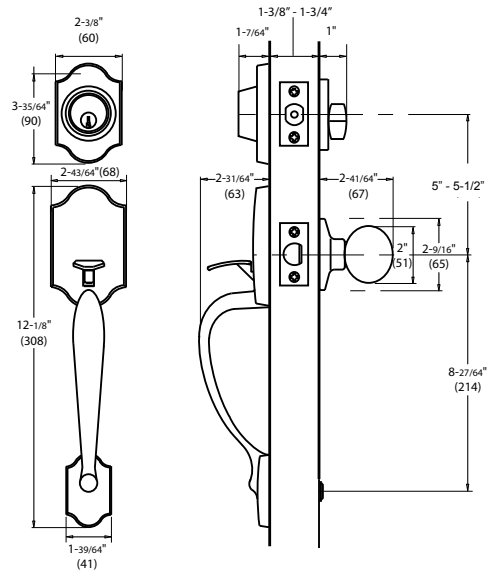


### BOX PACK

| Model  | Function        | WT/CTN | CTN QTY |          | US15<br>Satin Nickel | US12P<br>Tuscany Bronze |
|--------|-----------------|--------|---------|----------|----------------------|-------------------------|
| 400-TR | Single Cylinder | 33 lbs | 10 Pcs  | Item No. | D40700               | D40712                  |
| 405-TR | Dummy           | 33 lbs | 10 Pcs  | Item No. | D40701               | D40757                  |

## WICKLOW

Shown in Satin Nickel



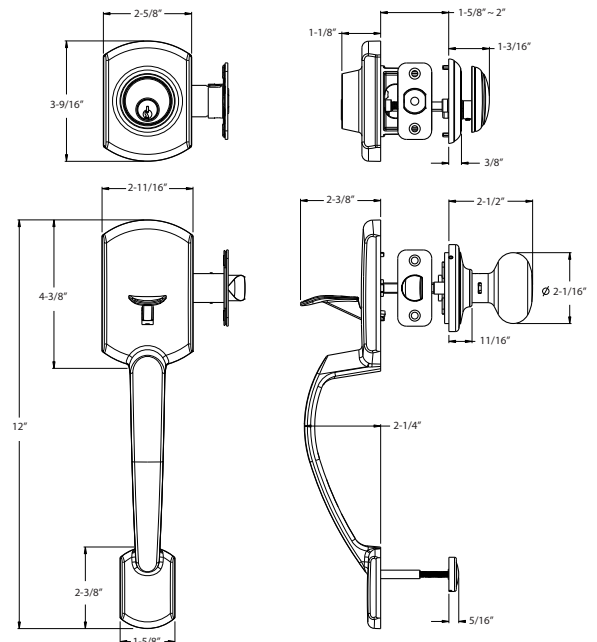
### BOX PACK

| Model  | Function        | WT/CTN | CTN QTY | Item No. | US15 Satin Nickel |
|--------|-----------------|--------|---------|----------|-------------------|
| 400-WI | Single Cylinder | 33 lbs | 4 Pcs   | Item No. | D40900            |
| 405-WI | Dummy           | 33 lbs | 4 Pcs   | Item No. | D40901            |

Aubryn Interior comes standard packed in the box.

## KATANA GRADE 2

Shown in Satin Nickel



### VISUAL PACK

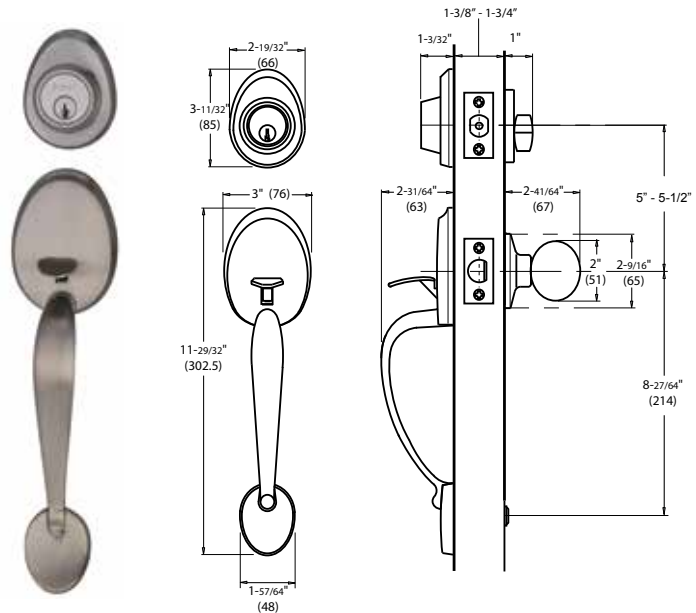
| Model         | Function        | WT/CTN | CTN QTY | Item No. | US15 Satin Nickel | US26 Bright Chrome | US19 Matte Black | US12P Tuscany Bronze |
|---------------|-----------------|--------|---------|----------|-------------------|--------------------|------------------|----------------------|
| GR2 400-KA/AU | Single Cylinder | 28 Lbs | 4 Pcs   | Item No. | 340100            | 340102             | 340109           | 340107               |
| GR2 405-KA/AU | Dummy           | 24 Lbs | 4 Pcs   | Item No. | 340101            | 340112             | 340119           | 340117               |

Aubryn Interior comes standard packed in the box.



## WATERFORD GRADE 2

Shown in Satin Nickel



### VISUAL PACK

| Model            | Function        | WT/CTN | CTN QTY |          | US15<br>Satin Nickel | US3<br>Bright Brass | US19<br>Matte Black | US12P<br>Tuscany Bronze |
|------------------|-----------------|--------|---------|----------|----------------------|---------------------|---------------------|-------------------------|
| GR2 VB-400-WF/AU | Single Cylinder | 41 Lbs | 4 Pcs   | Item No. | 340800               | 340803              | 340809              | 340810                  |
| GR2 VB-405-WF/AU | Dummy           | 36 Lbs | 4 Pcs   | Item No. | 340801               | 340813              | 340819              | 340811                  |

## INTERIOR KNOB OPTIONS

### GRADE 3



BELTON



DERBY



GALWAY



OLIVIA

### GRADE 2



AUBRYN



BORDAIN



ORLYN

| Style        | Function |          | US15<br>Satin Nickel | US3<br>Bright Brass | US19<br>Matte Black | US12P<br>Tuscany Bronze | US32D<br>Satin Stainless Steel |
|--------------|----------|----------|----------------------|---------------------|---------------------|-------------------------|--------------------------------|
| Belton - BT  | Interior | Item No. | 217322               | —                   | 217329              | 217327                  | —                              |
| Derby - RB   | Interior | Item No. | 217820               | —                   | —                   | 217827                  | —                              |
| Galway - GL  | Interior | Item No. | 217522               | 217523              | —                   | —                       | —                              |
| Olivia - OL  | Interior | Item No. | 217422               | —                   | 217429              | 217427                  | —                              |
| Aubryn - AU  | Interior | Item No. | 317522               | —                   | 317529              | 317527                  | —                              |
| Bordain - BD | Interior | Item No. | —                    | —                   | —                   | —                       | 317322                         |
| Orlyn - OR   | Interior | Item No. | 317420               | —                   | —                   | 317427                  | —                              |

# DELANEY® ENTRANCE HANDLESETS

## INTERIOR LEVER OPTIONS

For 405-Dummy Handleset Interior, list Dummy Knob or Dummy Lever as separate item.



| Style                  | Function |          | US15<br>Satin Nickel | US3<br>Bright Brass | US26<br>Bright Chrome | US19<br>Matte Black | US12P<br>Tuscany Bronze |
|------------------------|----------|----------|----------------------|---------------------|-----------------------|---------------------|-------------------------|
| Cira - CI              | Interior | Item No. | 350571               | —                   | 350576                | —                   | —                       |
| Dayton - DT            | Interior | Item No. | D27720 (L/R)         | —                   | D27726 (L/R)          | —                   | —                       |
| ET Style - ET          | Interior | Item No. | 227320               | —                   | —                     | —                   | —                       |
| Kerry - KY             | Interior | Item No. | 227420               | —                   | —                     | —                   | 227427                  |
| Kira - KR (Turnbutton) | Interior | Item No. | 352571               | —                   | 352576                | 352579              | 352577                  |
| Lashbrook - LB         | Interior | Item No. | 327821 (L/R)         | 327823 (L/R)        | —                     | 317829 (L/R)        | 327827 (L/R)            |
| Logan - LO             | Interior | Item No. | 227820 (L/R)         | —                   | —                     | 227829 (L/R)        | 227827 (L/R)            |
| Milton - MO            | Interior | Item No. | 227520               | —                   | 227526                | 227529              | 227527                  |
| RD Lever               | Interior | Item No. | D50751               | —                   | D50756                | D50759              | —                       |
| VL Lever               | Interior | Item No. | D54751               | —                   | —                     | —                   | —                       |
| Tulina - TA (Round)    | Interior | Item No. | D27220               | —                   | D27226                | D27229              | D27227                  |
| Tulina-TA (Square)     | Interior | Item No. | D27220S              | —                   | D27226S               | D27229S             | D27227S                 |
| Vida - VI (Round)      | Interior | Item No. | 351571               | —                   | 351576                | 351579              | 351577                  |
| Vida - VI (Square)     | Interior | Item No. | 353571               | —                   | 353576                | 353579              | 353577                  |
| Voncet - VT            | Interior | Item No. | 327420               | —                   | —                     | —                   | —                       |

# DELANEY® DEADBOLTS

## Specifications

|   |  |                                     |  |
|---|--|-------------------------------------|--|
| <b>Door Prep</b>  | Cross bore: 1-3/4" or 2-1/8" cross bore<br>Edge bore: 1"<br>Latch face: 1" x 2-1/4"<br><b>*205's Require Special 1-3/4" or 2-1/8" Cross Bore</b> | <b>Latches</b><br>(6-Way Available) | Deadbolt: 2-3/8" and 2-3/4" 6-way adjustable (9092)<br>Faceplate: 1" x 2-1/4" round corner<br>Bolt: 1" Solid Brass throw with hardened steel rod |
| <b>Backset</b>  | Fits 2-3/8" and 2-3/4"   | <b>Strikes</b>                      | 2-1/4" full lip round corner (9113 and 9117)   |
| <b>Door Thickness</b>   | 1-3/8" ~ 1-3/4" standard. 2-1/4" Ext. Kit Available  | <b>Wood Screws</b>                  | Combination screws that suit both wood or metal door mounting  |
| <b>Cylinder</b> KW1 5-pin standard. SC1 5-Pin optional (Single Cylinder only). Packed KA5 |  |                                     |  |

## TRADITIONAL DEADBOLTS

Shown in Satin Nickel



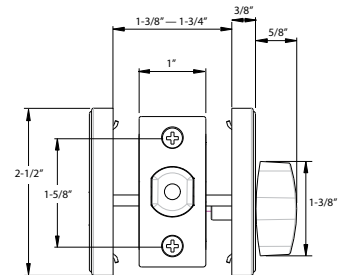
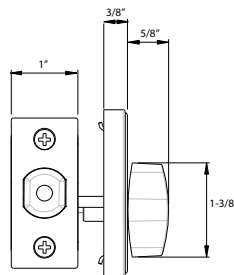
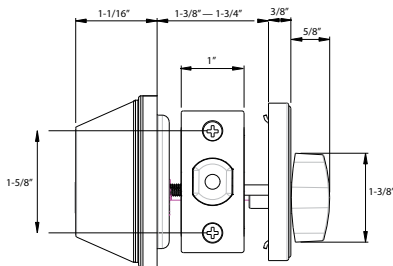
Single Cylinder (200)



One-Sided Half Bore (205)



One-Sided Full Bore (206)



## BOX PACK

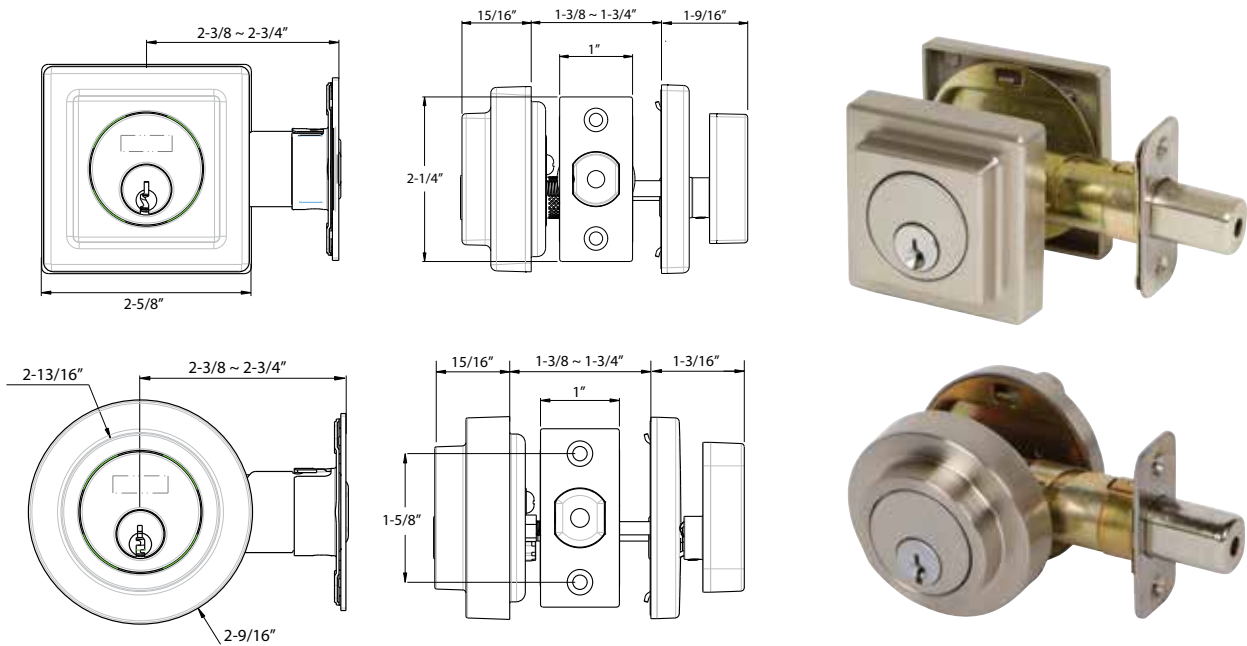
| Model | Function                 | WT/<br>LB | CTN<br>QTY |          | US32D<br>Satin Stainless<br>Steel | US15<br>Satin Nickel | US26<br>Bright Chrome | US19<br>Matte Black | US12P<br>Tuscany<br>Bronze |
|-------|--------------------------|-----------|------------|----------|-----------------------------------|----------------------|-----------------------|---------------------|----------------------------|
| 200-B | Single<br>Cylinder       | 27 lb     | 20 Pcs     | Item No. | D31002                            | D31004               | D31006                | D31009              | D31007                     |
| 205-S | One-Sided<br>(Half Bore) | 15 lb     | 20 Pcs     | Item No. | D35002                            | D35004               | D35006                | D35009              | —                          |
| 206-S | One-Sided<br>(Full Bore) | 15 lb     | 20 Pcs     | Item No. | D36002                            | D36004               | —                     | —                   | —                          |

## Specifications

|                       |   |                    |  |
|-----------------------|---|--------------------|--|
| <b>Door Prep</b>      | Cross bore: 2-1/8"<br>Edge bore: 1"<br>Latch face: 1" x 2-1/4"      | <b>Latches</b>     | 2-3/8" and 2-3/4" adjustable (9092)<br>Faceplate: 1" x 2-1/4" round corner<br>Bolt: Brass with hardened steel rod. Full 1" throw |
| <b>Backset</b>        | Fits 2-3/8" and 2-3/4"  | <b>Strikes</b>     | 1-3/4" x 2-1/4" Rd and Sq Corner (9113 and 9117)<br>Includes Reinforcement Strike  |
| <b>Door Thickness</b> | 1-3/8" ~ 1-3/4" door <b>standard</b> ,<br>2-1/4" Ext. Kit Available | <b>Wood Screws</b> | Combination screws that suit both wood or metal door mounting. Includes 3" Security Screws                                       |
| <b>Cylinder</b>       | KW1 5-Pin standard / SC1 5-pin Optional<br>Deadbolts packed KA4     |                    |  |

## CONTEMPORARY DEADBOLTS

Shown in Satin Nickel



## BOX PACK

| Model   | Function                     | WT/LB | CTN QTY |          | US15<br>Satin Nickel | US26<br>Bright Chrome | US19<br>Matte Black | US12P<br>Tuscany Bronze |
|---------|------------------------------|-------|---------|----------|----------------------|-----------------------|---------------------|-------------------------|
| 200-LTS | Square Single Cylinder       | 20 lb | 12 Pcs  | Item No. | 355001               | 355006                | 355009              | 355007                  |
| 205-LTS | Square One-Sided (Half Bore) | 13 lb | 12 Pcs  | Item No. | 353001               | 353006                | 353009              | —                       |
| 200-LTR | Round Single Cylinder        | 20 lb | 12 Pcs  | Item No. | 345001               | —                     | —                   | —                       |

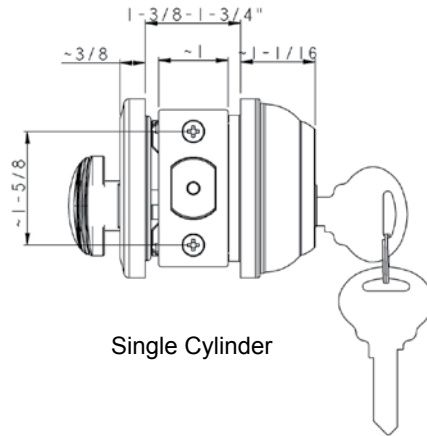
# DELANEY® DEADBOLTS

## Specifications

|                       |   |   |   |
|-----------------------|---|---|---|
| <b>Door Prep</b>      | Cross bore: 2-1/8"<br>Edge bore: 1"<br>Latch face: 1" x 2-1/4"                                    | <b>Latches</b>                              | 2-3/8" and 2-3/4" adjustable (9092 UL)<br>Faceplate: 1" x 2-1/4" round corner<br>Bolt: Brass with hardened steel rod. Full 1" throw |
| <b>Backset</b>        | Fits 2-3/8" and 2-3/4"  | <b>Strikes</b>                              | 1-3/4" x 2-1/4" Rd and Sq Corner (9111 and 9117)<br>Includes Reinforcement Strike   |
| <b>Door Thickness</b> | 1-3/8" ~ 1-3/4" door standard<br>2-1/4" Ext. Kit Available  | <b>Wood Screws</b>                          | Combination screws that suit both wood or metal door mounting<br>Includes 3" Security Screws  |
| <b>Cylinder</b>       | Visual Packaging- SC1 5-pin standard<br>Box Packaging- KW1 5-pin standard<br>Deadbolts packed KA6 | <b>Grade 2 Features in Visual Packaging</b> | Protective Collar<br>3-Hr Fire Latch<br>High Security Strike Plate Assembly   |

## GRADE 2 TRADITIONAL DEADBOLTS

Shown in Satin Nickel



## VISUAL PACK

| Model     | Function        | WT/<br>LB | CTN<br>QTY |          | US3<br>Bright Brass | US15<br>Satin Nickel | US19<br>Matte Black | US12P<br>Tuscany<br>Bronze |
|-----------|-----------------|-----------|------------|----------|---------------------|----------------------|---------------------|----------------------------|
| 200-LU-G2 | Single Cylinder | 27 lb     | 6 Pcs      | Item No. | 330603              | 330601               | 330609              | 330610                     |

# DELANEY®

## KNOBS & LEVERS

### Grade 3

#### Knobs

Belton  
Derby  
Galway  
Olivia

#### Traditional Levers

Dayton  
ET Lever  
Kerry  
Logan  
Milton

#### Contemporary Levers

Tulina  
RD  
VL  
Cira  
Kira  
Vida

### Grade 2

#### Knobs

Aubryn  
Orlyn

#### Levers

Lashbrook  
Mircet  
Voncet

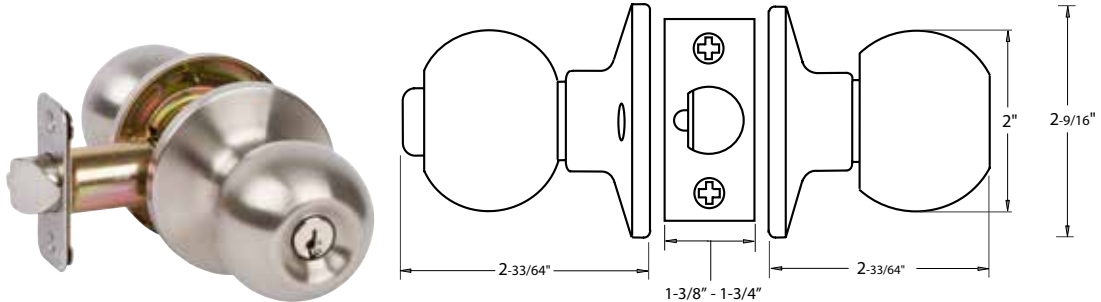
*Olivia in  
Satin Nickel*

## Specifications

|                       |  |   |  |
|-----------------------|--|---|--|
| <b>Door Prep</b>      | Cross bore: 2-1/8"<br>Edge bore: 1"<br>Latch face: 1" x 2-1/4" | <b>Latches</b><br><br>(6-Way Available) | Entrance: 2-3/8" and 2-3/4" 6-way adjustable (9073)<br>Passage/Privacy: 2-3/8" and 2-3/4" 6-way adjustable (9074)<br>Faceplate: 1" x 2-1/4" round corner<br>Bolt: 1/2" throw |
| <b>Backset</b>        | Fits 2-3/8" and 2-3/4"   | <b>Strikes</b>                          | 1-3/4" x 2-1/4" full lip round corner (9103)   |
| <b>Door Thickness</b> | 1-3/8" ~ 1-3/4" door standard                                  | <b>Wood Screws</b>                      | Combination screws that suit both wood or metal door mounting  |
| <b>Cylinder</b>       | KW1 5-pin standard<br>SC1 5-Pin optional. Entries packed KA5   |   |  |

## BELTON

Shown in Satin Stainless Steel

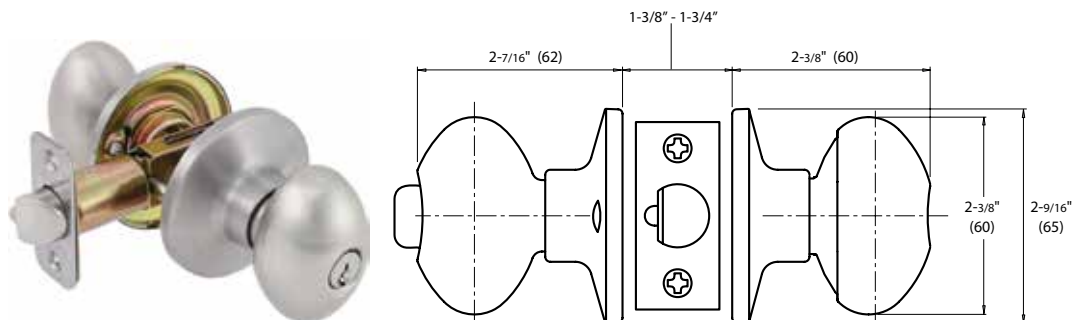


## BOX PACK

| Model     | Function | WT/LB | CTN QTY |          | US32D<br>Satin Stainless Steel | US19<br>Matte Black | US12P<br>Tuscany Bronze |
|-----------|----------|-------|---------|----------|--------------------------------|---------------------|-------------------------|
| 100T - BT | Entrance | 27 lb | 20 Pcs  | Item No. | D11322                         | D11329              | D11327                  |
| 101T - BT | Passage  | 22 lb | 20 Pcs  | Item No. | D14322                         | D14329              | D14327                  |
| 102T - BT | Privacy  | 22 lb | 20 Pcs  | Item No. | D12322                         | D12329              | D12327                  |
| 115T - BT | Dummy    | 9 lb  | 20 Pcs  | Item No. | D15322                         | D15329              | D15327                  |

## DERBY

Shown in Satin Nickel



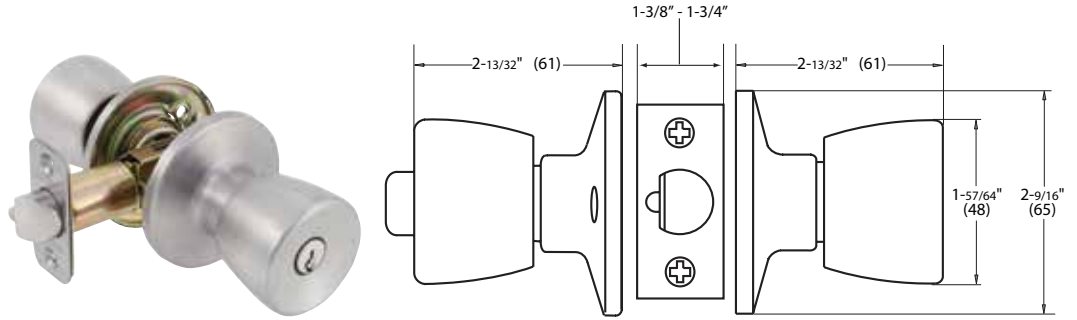
## BOX PACK

| Model     | Function | WT/LB | CTN QTY |          | US15<br>Satin Nickel | US12P<br>Tuscany Bronze |
|-----------|----------|-------|---------|----------|----------------------|-------------------------|
| 100T - RB | Entrance | 27 lb | 20 Pcs  | Item No. | D11820               | D11827                  |
| 101T - RB | Passage  | 22 lb | 20 Pcs  | Item No. | D14820               | D14827                  |
| 102T - RB | Privacy  | 22 lb | 20 Pcs  | Item No. | D12820               | D12827                  |
| 115T - RB | Dummy    | 9 lb  | 20 Pcs  | Item No. | D15820               | D15827                  |



## GALWAY

Shown in Satin Stainless Steel

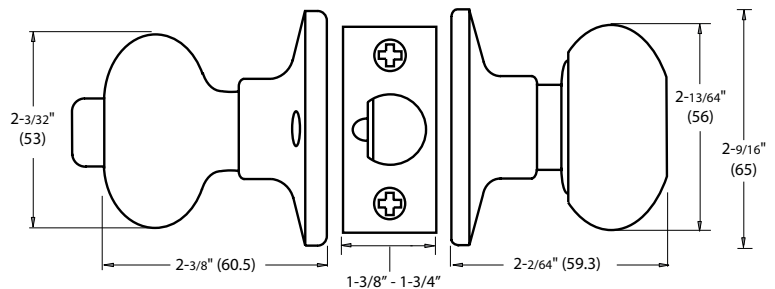


### BOX PACK

| Model     | Function | WT/LB | CTN QTY | Item No. | US3          | US32D                 |
|-----------|----------|-------|---------|----------|--------------|-----------------------|
|           |          |       |         |          | Bright Brass | Satin Stainless Steel |
| 100T - GL | Entrance | 27 lb | 20 Pcs  | Item No. | D11523       | D11522                |
| 101T - GL | Passage  | 22 lb | 20 Pcs  | Item No. | D14523       | D14522                |
| 102T - GL | Privacy  | 22 lb | 20 Pcs  | Item No. | D12523       | D12522                |
| 115T - GL | Dummy    | 9 lb  | 20 Pcs  | Item No. | D15523       | D15522                |
| 300T - GL | Combo    | 52 lb | 10 Pcs  | Item No. | —            | D18522                |

## OLIVIA

Shown in Satin Stainless Steel



### BOX PACK

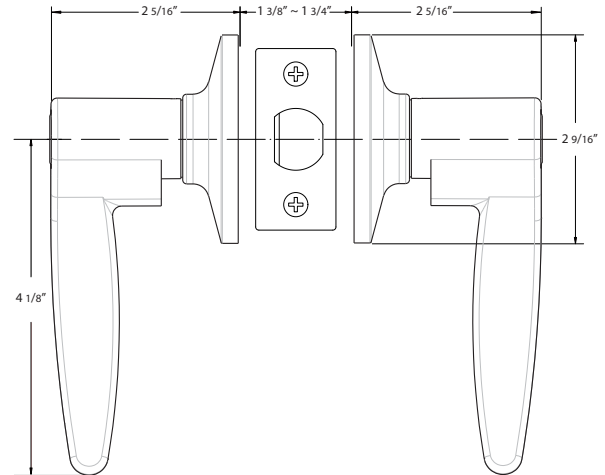
| Model     | Function | WT/LB | CTN QTY | Item No. | US32D                 | US19        | US12P          |
|-----------|----------|-------|---------|----------|-----------------------|-------------|----------------|
|           |          |       |         |          | Satin Stainless Steel | Matte Black | Tuscany Bronze |
| 100T - OL | Entrance | 27 lb | 20 Pcs  | Item No. | D11422                | D11429      | D11427         |
| 101T - OL | Passage  | 22 lb | 20 Pcs  | Item No. | D14422                | D14429      | D14427         |
| 102T - OL | Privacy  | 22 lb | 20 Pcs  | Item No. | D12422                | D12429      | D12427         |
| 115T - OL | Dummy    | 9 lb  | 20 Pcs  | Item No. | D15422                | D15429      | D15427         |

## Specifications

|                       |   |  |   |
|-----------------------|---|--|---|
| <b>Door Prep</b>      | Cross bore: 2-1/8"<br>Edge bore: 1"<br>Latch face: 1" x 2-1/4"      | <b>Latches</b><br><i>(6-Way Available)</i> | Entrance: 2-3/8" and 2-3/4" 6-way adjustable (9045R)<br>Passage/Privacy: 2-3/8" and 2-3/4" 6-way adjustable (9074)<br>Faceplate: 1" x 2-1/4" round corner<br>Bolt: 1/2" throw |
| <b>Backset</b>        | Fits 2-3/8" and 2-3/4"  | <b>Strikes</b>                             | 1-3/4" x 2-1/4" full lip round corner (9103)  |
| <b>Door Thickness</b> | 1-3/8" ~ 1-3/4" door standard                                       | <b>Wood Screws</b>                         | Combination screws that suit both wood or metal door mounting   |
| <b>Cylinder</b>       | KW1 5-pin <b>standard</b><br>SC1 5-Pin optional. Entries packed KA5 | <b>Door Handing</b>                        | Reversible Lever<br>Handing required for dummy function and<br>Handleset interior   |

## DAYTON

Shown in Satin Nickel

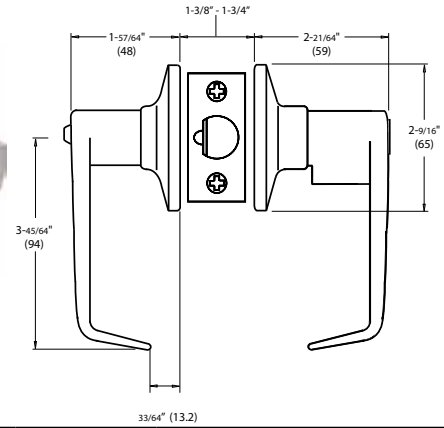


## BOX PACK

| Model     | Function                           | WT/CTN | CTN QTY |          | US15<br>Satin Nickel | US26<br>Bright Chrome | US19<br>Matte Black |
|-----------|------------------------------------|--------|---------|----------|----------------------|-----------------------|---------------------|
| 500T - DT | Push Button Entrance (Panic Proof) | 26 lb  | 20 Pcs  | Item No. | D20720P              | D20726P               | D20729P             |
| 501T - DT | Passage                            | 23 lb  | 20 Pcs  | Item No. | D24720               | D24726                | D24729              |
| 502T - DT | Push Button Privacy (Panic Proof)  | 24 lb  | 20 Pcs  | Item No. | D22720P              | D22726P               | D22729P             |
| 515T - DT | Dummy                              | 15 lb  | 20 Pcs  | Item No. | D25720 (L/R)         | D25726 (L/R)          | D25729 (L/R)        |

## ET LEVER

Shown in Satin Nickel



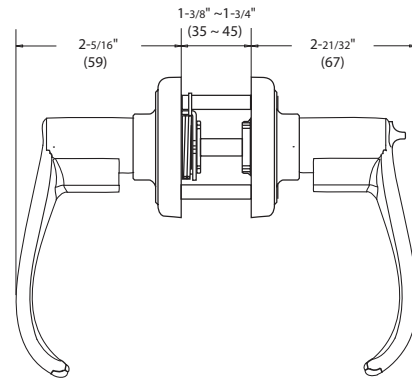
ADA Compliant  
Panic Proof Function

### BOX PACK

| Model      | Function                           | WT/CTN | CTN QTY | US15 Satin Nickel |         |
|------------|------------------------------------|--------|---------|-------------------|---------|
| 500T - ET  | Push Button Entrance (Panic Proof) | 26 lb  | 20 Pcs  | Item No.          | D20320P |
| 504T - ET  | Storeroom                          | 26 lb  | 20 Pcs  | Item No.          | D26320  |
| 501T - ET  | Passage                            | 23 lb  | 20 Pcs  | Item No.          | D24320  |
| 502TP - ET | Push Button Privacy (Panic Proof)  | 24 lb  | 20 Pcs  | Item No.          | D22320P |
| 515T - ET  | Dummy                              | 15 lb  | 20 Pcs  | Item No.          | D25320  |

## KERRY

Shown in Satin Nickel

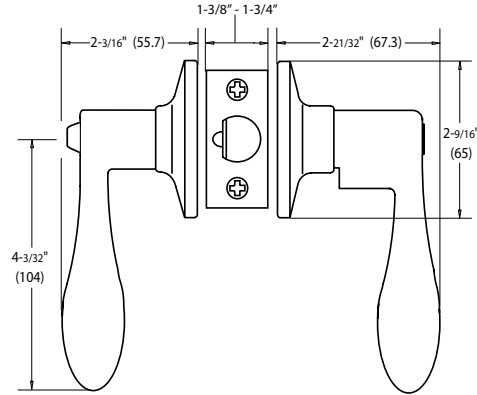


### BOX PACK

| Model     | Function                           | WT/CTN | CTN QTY | US15 Satin Nickel | US12P Tuscany Bronze |
|-----------|------------------------------------|--------|---------|-------------------|----------------------|
| 500T - KY | Push Button Entrance (Panic Proof) | 26 lb  | 20 Pcs  | Item No. D20420P  | D20427P              |
| 501T - KY | Passage                            | 23 lb  | 20 Pcs  | Item No. D24420   | D24427               |
| 502T - KY | Push Button Privacy (Panic Proof)  | 24 lb  | 20 Pcs  | Item No. D22420P  | D22427P              |
| 515T - KY | Dummy                              | 15 lb  | 20 Pcs  | Item No. D25420   | D25427               |

## LOGAN

Shown in Satin Nickel

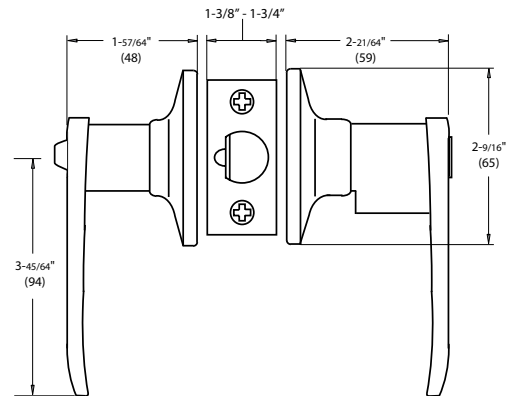


### BOX PACK

| Model   | Function                           | WT/<br>CTN | CTN<br>QTY |          | US15<br>Satin Nickel | US26<br>Bright<br>Chrome | US19<br>Matte Black | US12P<br>Tuscany<br>Bronze |
|---------|------------------------------------|------------|------------|----------|----------------------|--------------------------|---------------------|----------------------------|
| 500T-LO | Push Button Entrance (Panic Proof) | 26 lb      | 20 Pcs     | Item No. | D20820P              | D20826P                  | D20829P             | D20827P                    |
| 501T-LO | Passage                            | 23 lb      | 20 Pcs     | Item No. | D24820               | D24826                   | D24829              | D24827                     |
| 502T-LO | Push Button Privacy (Panic Proof)  | 24 lb      | 20 Pcs     | Item No. | D22820P              | D22826P                  | D22829P             | D22827P                    |
| 515T-LO | Dummy                              | 15 lb      | 20 Pcs     | Item No. | D25820 (L/R)         | D25826 (L/R)             | D25829 (L/R)        | D25827 (L/R)               |

## MILTON

Shown in Satin Nickel



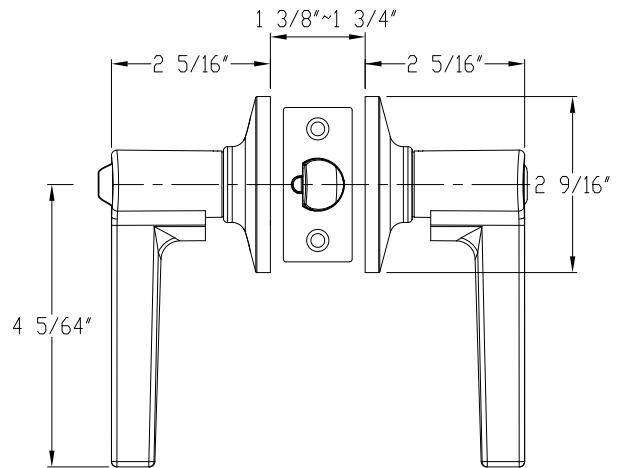
### BOX PACK

| Model     | Function                           | WT/<br>CTN | CTN<br>QTY |          | US15<br>Satin Nickel | US26D<br>Brushed<br>Chrome | US26<br>Bright<br>Chrome | US12P<br>Tuscany<br>Bronze | US19<br>Matte<br>Black |
|-----------|------------------------------------|------------|------------|----------|----------------------|----------------------------|--------------------------|----------------------------|------------------------|
| 500T - MO | Push Button Entrance (Panic Proof) | 26 lb      | 20 Pcs     | Item No. | D20520P              | D20522P                    | D20526P                  | D20527P                    | D20529P                |
| 501T - MO | Passage                            | 23 lb      | 20 Pcs     | Item No. | D24520               | D24522                     | D24526                   | D24527                     | D24529                 |
| 502T - MO | Push Button Privacy (Panic Proof)  | 24 lb      | 20 Pcs     | Item No. | D22520P              | D22522P                    | D22526P                  | D22527P                    | D22529P                |
| 515T - MO | Dummy                              | 15 lb      | 20 Pcs     | Item No. | D25520               | D25522                     | D25526                   | D25527                     | D25529                 |

## TULINA

Shown in Satin Nickel

### TULINA Round Trim



### BOX PACK

| Model         | Function                           | WT/CTN | CTN QTY |          | US15<br>Satin Nickel | US26<br>Bright Chrome | US19<br>Matte Black |
|---------------|------------------------------------|--------|---------|----------|----------------------|-----------------------|---------------------|
| 500T-TA Round | Push Button Entrance (Panic Proof) | 26 lb  | 20 Pcs  | Item No. | D20220P              | D20226P               | D20229P             |
| 501T-TA Round | Passage                            | 23 lb  | 20 Pcs  | Item No. | D24220               | D24226                | D24229              |
| 502T-TA Round | Push Button Privacy (Panic Proof)  | 24 lb  | 20 Pcs  | Item No. | D22220P              | D22226P               | D22229P             |
| 515T-TA Round | Dummy                              | 15 lb  | 20 Pcs  | Item No. | D25220               | D25226                | D25229              |

### TULINA Square Trim

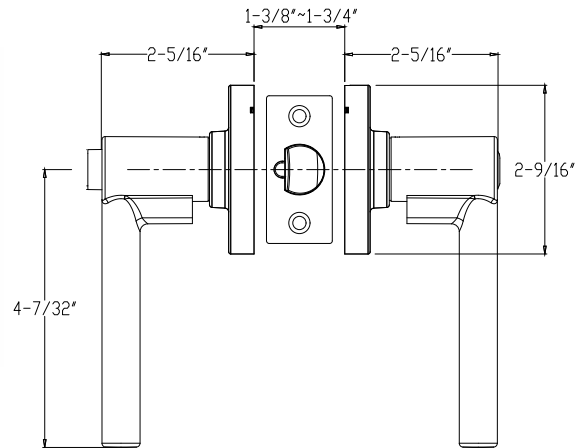



### BOX PACK

| Model          | Function                           | WT/CTN | CTN QTY |          | US15<br>Satin Nickel | US26<br>Bright Chrome | US19<br>Matte Black |
|----------------|------------------------------------|--------|---------|----------|----------------------|-----------------------|---------------------|
| 500T-TA Square | Push Button Entrance (Panic Proof) | 26 lb  | 20 Pcs  | Item No. | D20220PS             | D20226PS              | D20229PS            |
| 501T-TA Square | Passage                            | 23 lb  | 20 Pcs  | Item No. | D24220S              | D24226S               | D24229S             |
| 502T-TA Square | Push Button Privacy (Panic Proof)  | 24 lb  | 20 Pcs  | Item No. | D22220PS             | D22226PS              | D22229PS            |
| 515T-TA Square | Dummy                              | 15 lb  | 20 Pcs  | Item No. | D25220S              | D25226S               | D25229S             |

## RD LEVER

Shown in Satin Nickel



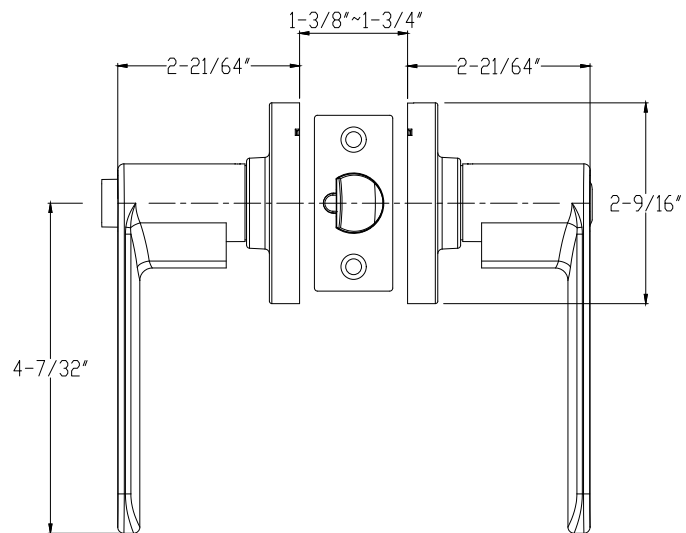
 ADA Compliant  
Panic Proof Function

### BOX PACK

| Model   | Function               | WT/LB | CTN QTY |          | US15<br>Satin Nickel | US26<br>Bright Chrome | US19<br>Matte Black |
|---------|------------------------|-------|---------|----------|----------------------|-----------------------|---------------------|
| 500T-RD | Entrance (Panic Proof) | 26 lb | 10 Pcs  | Item No. | D50501               | D50506                | D50509              |
| 501T-RD | Passage                | 23 lb | 10 Pcs  | Item No. | D50511               | D50516                | D50519              |
| 502T-RD | Privacy (Panic Proof)  | 24 lb | 10 Pcs  | Item No. | D50521               | D50526                | D50529              |
| 515T-RD | Dummy                  | 24 lb | 20 Pcs  | Item No. | D50551               | D50556                | D50559              |

## VL LEVER

Shown in Satin Nickel



### BOX PACK

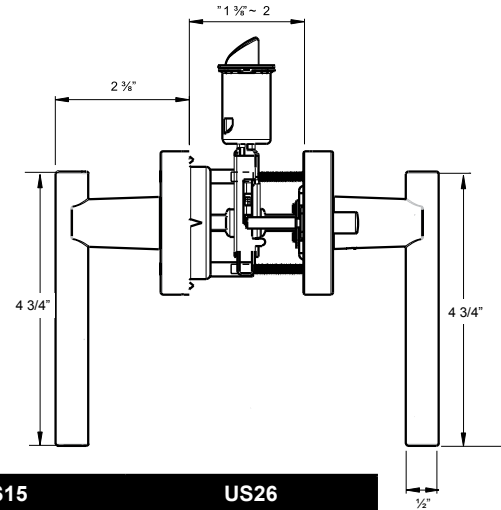
| Model   | Function               | WT/LB | CTN QTY |          | US15<br>Satin Nickel |
|---------|------------------------|-------|---------|----------|----------------------|
| 500T-VL | Entrance (Panic Proof) | 23 lb | 10 Pcs  | Item No. | D54501               |
| 501T-VL | Passage                | 23 lb | 10 Pcs  | Item No. | D54511               |
| 502T-VL | Privacy (Panic Proof)  | 24 lb | 10 Pcs  | Item No. | D54521               |
| 515T-VL | Dummy                  | 23 lb | 10 Pcs  | Item No. | D54551               |

## Specifications

|                       |  |                    |  |
|-----------------------|--|--------------------|--|
| <b>Door Prep</b>      | Cross bore: 2-1/8"<br>Edge bore: 1"<br>Latch face: 1" x 2-1/4" | <b>Latches</b>     | Passage/Privacy: 2-3/8" and 2-3/4" 6-way adjustable (9046R)<br>Faceplate: 1" x 2-1/4" round corner<br>Bolt: 1/2" throw |
| <b>Backset</b>        | Fits 2-3/8" and 2-3/4"   | <b>Strikes</b>     | 1-3/4" x 2-1/4" full lip round corner (9103)   |
| <b>Door Thickness</b> | 1-3/8" ~ 1-3/4" door standard                                  | <b>Wood Screws</b> | Combination screws that suit both wood or metal door mounting  |
| <b>Door Handing</b>   | Non-Handed, Privacy is reversible                              | <b>Features</b>    | Privacy Function is Panic Proof (Push Button)  |

## CIRA

Shown in Satin Nickel



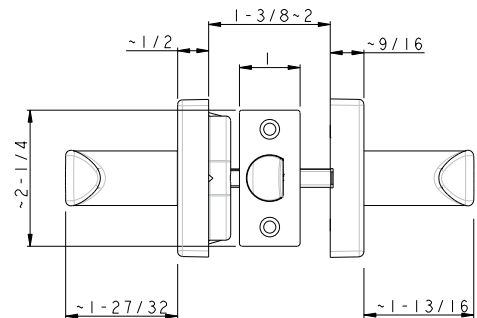
ADA Compliant  
Panic Proof Function

## BOX PACK

| Model   | Function              | WT/LB | CTN QTY |          | US15<br>Satin Nickel | US26<br>Bright Chrome |
|---------|-----------------------|-------|---------|----------|----------------------|-----------------------|
| 501T-CI | Passage               | 23 lb | 10 Pcs  | Item No. | 350511               | 350516                |
| 502T-CI | Privacy (Panic Proof) | 24 lb | 10 Pcs  | Item No. | 350521               | 350526                |
| 515T-CI | Dummy                 | 24 lb | 20 Pcs  | Item No. | 350551               | 350556                |

## KIRA

Shown in Satin Nickel



ADA Compliant  
Panic Proof Function

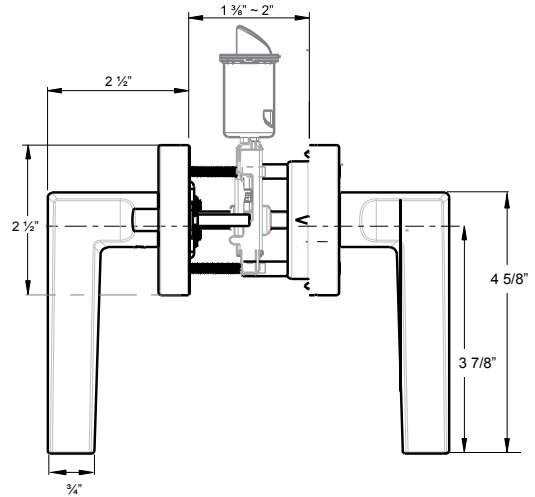
## BOX PACK

| Model   | Function              | WT/LB | CTN QTY |          | US15<br>Satin Nickel | US26<br>Bright Chrome | US19<br>Matte Black | US12P<br>Tuscany Bronze |
|---------|-----------------------|-------|---------|----------|----------------------|-----------------------|---------------------|-------------------------|
| 501T-KR | Passage               | 23 lb | 10 Pcs  | Item No. | 352511               | 352516                | 352519              | 352517                  |
| 502T-KR | Privacy (Panic Proof) | 23 lb | 10 Pcs  | Item No. | 352521L/R            | 352526L/R             | 353529L/R           | 352527L/R               |
| 515T-KR | Dummy                 | 24 lb | 20 Pcs  | Item No. | 352551               | 352556                | 352559              | 352557                  |

## VIDA

### Round Trim

Shown in Satin Nickel



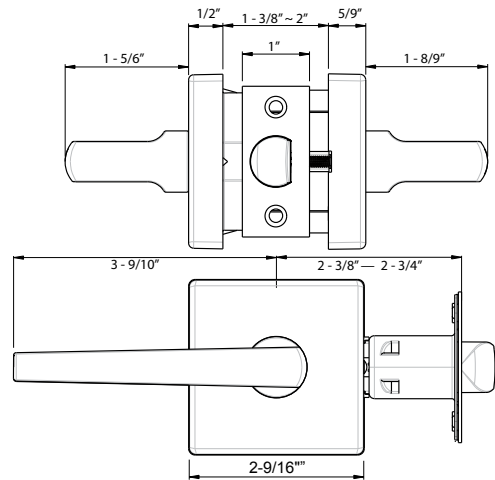
ADA Compliant  
Panic Proof Function

### BOX PACK

| Model            | Function              | WT/LB | CTN QTY |          | US15<br>Satin Nickel | US26<br>Bright Chrome | US19<br>Matte Black |
|------------------|-----------------------|-------|---------|----------|----------------------|-----------------------|---------------------|
| 501T-VI<br>Round | Passage               | 23 lb | 10 Pcs  | Item No. | 351511               | 351516                | 351519              |
| 502T-VI<br>Round | Privacy (Panic Proof) | 24 lb | 10 Pcs  | Item No. | 351521               | 351526                | 351529              |
| 515T-VI<br>Round | Dummy                 | 24 lb | 20 Pcs  | Item No. | 351551               | 351556                | 351559              |

### Square Trim

Shown in Satin Nickel



ADA Compliant  
Panic Proof Function

### BOX PACK

| Model             | Function              | WT/LB | CTN QTY |          | US15<br>Satin Nickel | US26<br>Bright Chrome | US19<br>Matte Black | US12P<br>Tuscany Bronze |
|-------------------|-----------------------|-------|---------|----------|----------------------|-----------------------|---------------------|-------------------------|
| 501T-VI<br>Square | Passage               | 23 lb | 10 Pcs  | Item No. | 353511               | 353516                | 353519              | 353517                  |
| 502T-VI<br>Square | Privacy (Panic Proof) | 24 lb | 10 Pcs  | Item No. | 353521               | 353526                | 353529              | 353527                  |
| 515T-VI<br>Square | Dummy                 | 24 lb | 20 Pcs  | Item No. | 353551               | 353556                | 353559              | 353557                  |



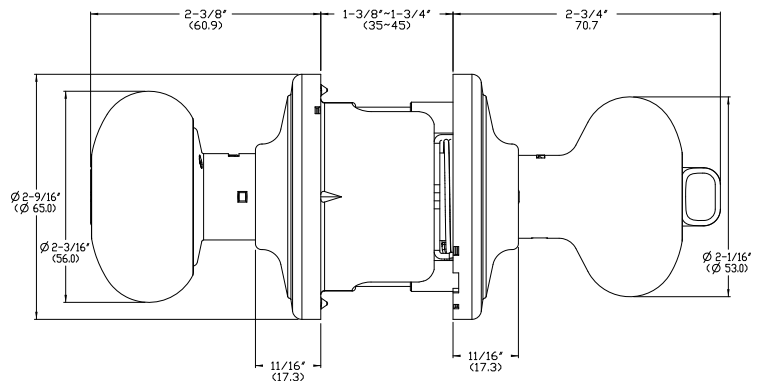
# DELANEY® KNOBS GRADE 2

## Specifications

|                       |  |                         |  |
|-----------------------|--|-------------------------|--|
| <b>Door Prep</b>      | Cross bore: 2-1/8"<br>Edge bore: 1"<br>Latch face: 1" x 2-1/4" | <b>Latches</b>          | Entrance: 2-3/8" and 2-3/4" 6-way adjustable<br>Passage/Privacy: 2-3/8" and 2-3/4" 6-way adjustable<br>Faceplate: 1" x 2-1/4" round corner<br>Bolt: 1/2" throw |
| <b>Backset</b>        | Fits 2-3/8" and 2-3/4"   | <b>Strikes</b>          | 1-3/4" x 2-1/4" full lip round corner (9103)   |
| <b>Door Thickness</b> | 1-3/8" ~ 1-3/4" door standard                                  | <b>Wood Screws</b>      | Combination screws that suit both wood or metal door mounting  |
| <b>Cylinder</b>       | SC1 5-pin standard. Entries packed KA4<br>KW1 5-pin optional   | <b>Grade 2 Features</b> | Concealed screws    Panic Proof    UL Rated<br>Full Protection Collar  |

## AUBRYN

Shown in Satin Nickel

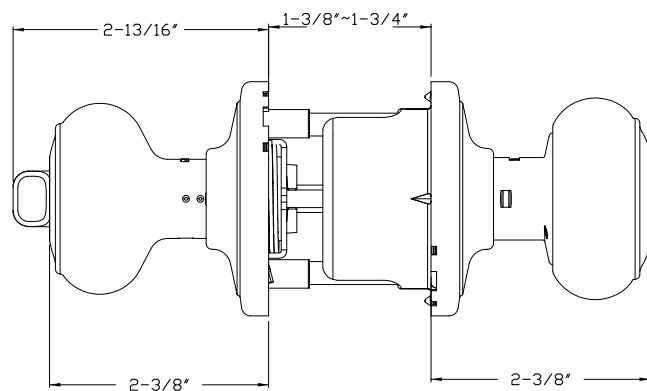


## VISUAL PACK

| Model       | Function     | WT/CTN | CTN QTY |          | US15<br>Satin Nickel | US19<br>Matte Black | US12P<br>Tuscany Bronze |
|-------------|--------------|--------|---------|----------|----------------------|---------------------|-------------------------|
| 100TT-AU-G2 | Entrance     | 24 lb  | 12 Pcs  | Item No. | 311522               | 311529              | 311527                  |
| 101TT-AU-G2 | Passage      | 22 lb  | 12 Pcs  | Item No. | 314522               | 314529              | 314527                  |
| 102TT-AU-G2 | Privacy      | 22 lb  | 12 Pcs  | Item No. | 312522               | 312529              | 312527                  |
| 115TT-AU-G2 | Dummy (Pair) | 21 lb  | 12 Pcs  | Item No. | 315522               | 315529              | 315527                  |

## ORLYN

Shown in Satin Nickel



## VISUAL PACK

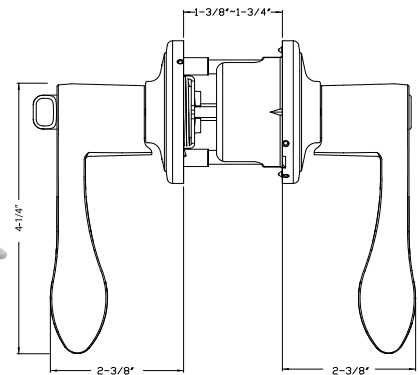
| Model       | Function     | WT/CTN | CTN QTY |          | US15<br>Satin Nickel | US12P<br>Tuscany Bronze |
|-------------|--------------|--------|---------|----------|----------------------|-------------------------|
| 100TT-OR-G2 | Entrance     | 24 lb  | 12 Pcs  | Item No. | 311422               | 311427                  |
| 101TT-OR-G2 | Passage      | 22 lb  | 12 Pcs  | Item No. | 314422               | 314427                  |
| 102TT-OR-G2 | Privacy      | 22 lb  | 12 Pcs  | Item No. | 312422               | 312427                  |
| 115TT-OR-G2 | Dummy (Pair) | 21 lb  | 12 Pcs  | Item No. | 315422               | 315427                  |

## Specifications

|                       |  |                         |  |
|-----------------------|--|-------------------------|--|
| <b>Door Prep</b>      | Cross bore: 2-1/8"<br>Edge bore: 1"<br>Latch face: 1" x 2-1/4" | <b>Latches</b>          | Entrance: 2-3/8" and 2-3/4" 6-way adjustable<br>Passage/Privacy: 2-3/8" and 2-3/4" 6-way adjustable<br>Faceplate: 1" x 2-1/4" round corner<br>Bolt: 1/2" throw |
| <b>Backset</b>        | Fits 2-3/8" and 2-3/4"   | <b>Strikes</b>          | 1-3/4" x 2-1/4" full lip round corner (9103)   |
| <b>Door Thickness</b> | 1-3/8" ~ 1-3/4" door standard                                  | <b>Wood Screws</b>      | Combination screws that suit both wood or metal door mounting  |
| <b>Cylinder</b>       | SC1 5-pin standard. Entries packed KA4<br>KW1 5-pin optional   | <b>Grade 2 Features</b> | Concealed screws, Panic Proof, UL Rated, Full Protection Collar  |
| <b>Door Handing</b>   | Reversible Lever Handing required for all functions            |                         |  |

## LASHBROOK

Shown in Satin Nickel

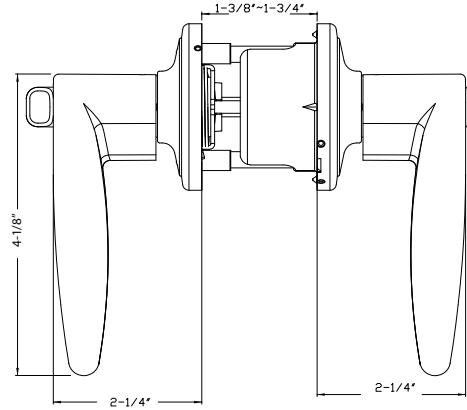


## VISUAL PACK

| Model       | Function     | WT/CTN | CTN QTY |          | US15<br>Satin Nickel | US19<br>Matte Black | US12P<br>Tuscany Bronze |
|-------------|--------------|--------|---------|----------|----------------------|---------------------|-------------------------|
| 500TT-LB-G2 | Entrance     | 24 lb  | 12 Pcs  | Item No. | 320820               | 320829              | 320827                  |
| 501TT-LB-G2 | Passage      | 22 lb  | 12 Pcs  | Item No. | 324820               | 324829              | 324827                  |
| 502TT-LB-G2 | Privacy      | 22 lb  | 12 Pcs  | Item No. | 322820               | 322829              | 322827                  |
| 515TT-LB-G2 | Dummy (Pair) | 21 lb  | 12 Pcs  | Item No. | 325820               | 325829              | 325827                  |

## MIRCET

Shown in Satin Nickel

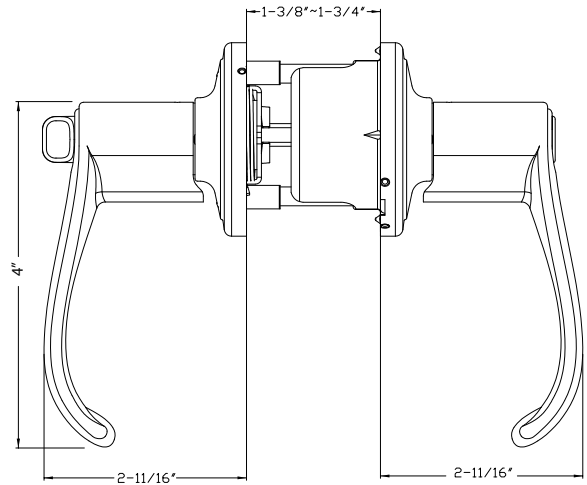


### VISUAL PACK

| Model       | Function     | WT/<br>CTN | CTN<br>QTY | Item No. | US15<br>Satin Nickel | US19<br>Matte Black |
|-------------|--------------|------------|------------|----------|----------------------|---------------------|
| 500TT-MC-G2 | Entrance     | 24 lb      | 12 Pcs     | Item No. | 320620               | 320629              |
| 501TT-MC-G2 | Passage      | 22 lb      | 12 Pcs     | Item No. | 324620               | 324629              |
| 502TT-MC-G2 | Privacy      | 22 lb      | 12 Pcs     | Item No. | 322620               | 322629              |
| 515TT-MC-G2 | Dummy (Pair) | 21 lb      | 12 Pcs     | Item No. | 325620               | 325629              |

## VONCET

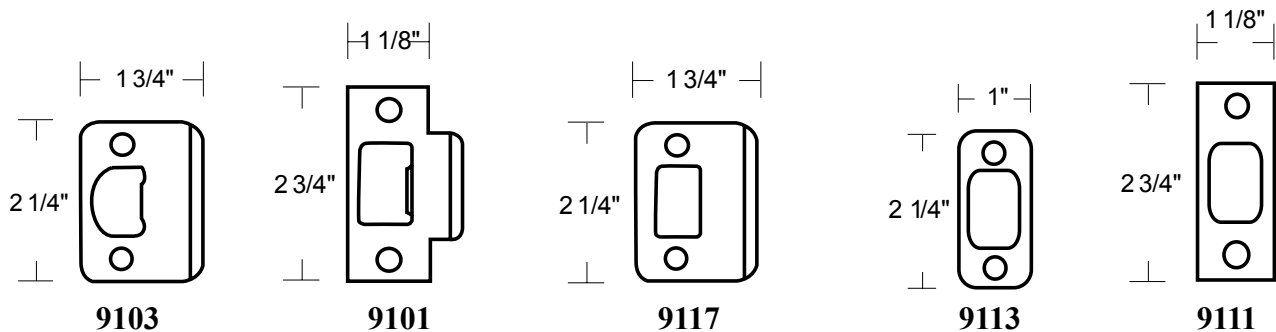
Shown in Satin Nickel



### VISUAL PACK

| Model        | Function     | WT/<br>CTN | CTN<br>QTY | Item No. | US15<br>Satin Nickel |
|--------------|--------------|------------|------------|----------|----------------------|
| 500TT-VT-GR2 | Entrance     | 24 lb      | 12 Pcs     | Item No. | 320420               |
| 501TT-VT-GR2 | Passage      | 24 lb      | 12 Pcs     | Item No. | 324420               |
| 502TT-VT-GR2 | Privacy      | 24 lb      | 12 Pcs     | Item No. | 322420               |
| 515TT-VT-GR2 | Dummy (Pair) | 22 lb      | 12 Pcs     | Item No. | 325420               |

## STRIKE PLATES



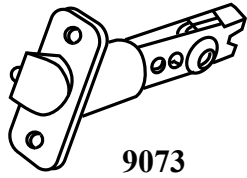
| Description              | Style | US15/US32D<br>Satin Nickel<br>Satin Stainless<br>Steel |         |         |         |         | US3<br>Bright Brass | US26<br>Bright Chrome | US15A<br>Antique Nickel | US19<br>Matte Black |
|--------------------------|-------|--|---------|---------|---------|---------|---------------------|-----------------------|-------------------------|---------------------|
|                          |       | Item No.   | 280002  | 280003  | 280006  | 280008  | 280009              | —                     | —                       | —                   |
| Full Lip Entry Strike    | 9103  | Item No.   | 280002  | 280003  | 280006  | 280008  | 280009              | —                     | —                       | —                   |
| Entry T-Strike           | 9101  | Item No.   | 282002  | 282003  | —       | —       | 282009              | —                     | —                       | —                   |
| Full Lip Deadbolt Strike | 9117  | Item No.   | 280102  | 280103  | 280106  | 280108  | 280109              | —                     | —                       | —                   |
| Deadbolt Strike          | 9113  | Item No.   | 2891132 | 2891133 | 2891136 | 2891138 | 2891139             | —                     | —                       | —                   |
| Deadbolt Strike          | 9111  | Item No.   | 2891112 | 2891113 | —       | —       | 2891110             | —                     | —                       | —                   |

## EXTENSION KITS

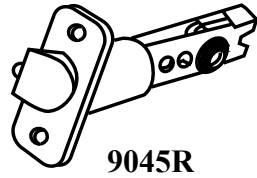
|   | Item No. | US15<br>Satin Nickel | US3<br>Bright Brass | US19<br>Matte Black |
|---|----------|----------------------|---------------------|---------------------|
|   |          | 211001               | 211003              | 211000              |
| 2-1/4" Handleset Extension Kit<br>KN / TR / AV / WF | Item No. | 211001               | 211003              | 211000              |
| 2-1/4" Handleset Extension Kit<br>WI / KA           | Item No. | 211021               | —                   | 211022              |
| 2-1/4" Single Deadbolt<br>Extension Kit             | Item No. | 211011               | 211013              | 211012              |
| 2-1/4" Double Deadbolt<br>Extension Kit             | Item No. | 211006               | 211008*             | 211007              |

# DELANEY® STRIKES & LATCHES

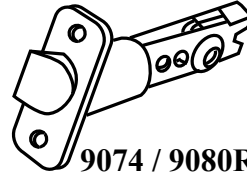
## DELANEY LATCHES 2-3/4" ~ 2-3/8"



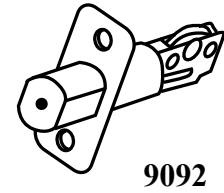
9073



9045R



9074 / 9080R



9092

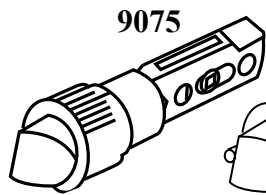
### Grade 3 Mortise Latches

| Description                                    | Style           |          | US15/US32D<br>Satin Nickel<br>Satin Stainless<br>Steel | US3<br>Bright Brass | US26<br>Polished<br>Chrome | US15A<br>Antique<br>Nickel | US19<br>Matte Black |
|--|-----------------|----------|--|---------------------|----------------------------|----------------------------|---------------------|
| Adjustable Dead Latch<br>(Entry Knob)          | 9073            | Item No. | 260001   | 260003              | —                          | 260008                     | 260009              |
| Adjustable Dead Latch<br>(Entry Lever)         | 9045R           | Item No. | 260041   | —                   | 260022                     | 260048                     | 260049              |
| Adjustable Spring Latch<br>(Passage / Privacy) | 9074 /<br>9080R | Item No. | 260051   | 260053              | 260052                     | 260058                     | 260059              |
| Adjustable Latch<br>(Deadbolt)                 | 9092            | Item No. | 261001   | 261003              | 261007                     | 261008                     | 261009              |

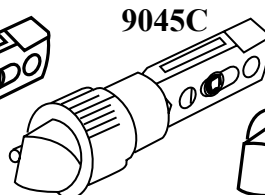
### Grade 2 UL Mortise Latches



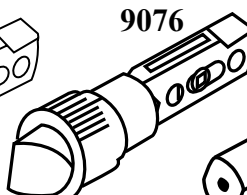
| Description                               | Style              |          | US15/US32D<br>Satin Nickel<br>Satin Stainless Steel | US15A<br>Antique Nickel | US19<br>Matte Black |
|---|--------------------|----------|---|-------------------------|---------------------|
| Adjustable Dead Latch<br>(UL Entry Knob)  | 9073 UL            | Item No. | 260001UL  | 260008UL                | 260009UL            |
| Adjustable Dead Latch<br>(UL Entry Lever) | 9045R UL           | Item No. | 260041UL  | 260048UL                | 260049UL            |
| Adjustable Spring Latch<br>(UL Passage)   | 9074 UL<br>(9080R) | Item No. | 260051UL  | —                       | 260059UL            |
| Adjustable Latch<br>(UL Deadbolt)         | 9092 UL            | Item No. | 261001UL  | 261008UL                | 261009UL            |



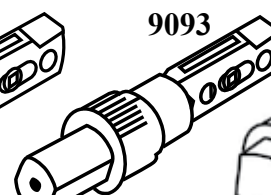
9075



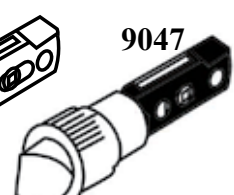
9045C



9076



9093



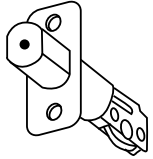
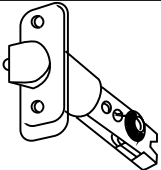
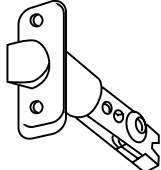
9047

### Grade 3 Drive-In Latches

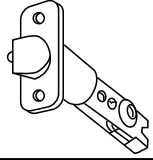
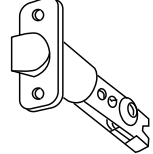
| Description  | Style |          | US32D - Satin Stainless Steel |
|--|-------|----------|-------------------------------|
| 1" Drive-In Adj. Dead Latch<br>(Entry Knob)          | 9075  | Item No. | 260061*                       |
| 1" Drive-In Adj. Dead Latch<br>(Entry Lever)         | 9045C | Item No. | 260060*                       |
| 1" Drive-In Adj. Spring Latch<br>(Passage / Privacy) | 9076  | Item No. | 260121*                       |
| 1" Drive-In Adj. Latch<br>(Deadbolt)                 | 9093  | Item No. | 261061                        |
| 7/8" Drive-In Spring Latch<br>(Fixed 2-3/8" backset) | 9047  | Item No. | 260120*                       |

\*Special Order Product. Call Customer Service at 800-952-4430

## SANDCAST ONLY ADJUSTABLE LATCHES 2-3/8" ~ 2-3/4" BACKSET

|   | Model | Description   |          | Aged Bronze / Aged Black |
|---|-------|---|----------|--------------------------|
|  | 9092  | Deadbolt Latch<br>w/ Rd. Faceplate                    | Item No. | 210008                   |
|  | 9050R | Entry<br>Deadlatch<br>w/ Rd. Faceplate                | Item No. | 210010                   |
|  | 9079R | Passage / Privacy<br>Spring Latch<br>w/ Rd. Faceplate | Item No. | 210012                   |

## GRADE 2 LATCHES

|   | Model   | Description  |          | US15/US26<br>Satin Nickel<br>Bright Chrome | US19/US12P<br>Matte Black<br>Tuscany Bronze |
|---|---------|--|----------|--|---|
|  | 9060 UL | GR2 UL Entry<br>Deadlatch<br>w/ Rd. or Sq. Faceplate<br>3-Hour Fire Rating | Item No. | 262001                                     | 262009                                      |
|  | 9064RUL | GR2 Passage / Privacy<br>Spring Latch<br>w/ Rd. Faceplate                  | Item No. | 262051                                     | 262059                                      |

# Bravura

## **Add A Touch of Luxury**

Our Bravura, solid forged-brass designer hardware provides timeless sophistication and craftsmanship that can't be duplicated. It is heavy and strong, yet smooth and luxurious to the touch.

With high-end design features and options such as push button privacy, smooth internal mechanics, premium scratch resistant lead-free crystal, and easy installation, our Bravura collection delivers long lasting quality you can feel.

## **Entrance Hardware**

- Handlesets
- Deadbolts
- Keyed Entry

## **Knobs & Levers**

- Knobs
- Crystal Knobs
- Levers
- Elite Series

Jacksonville in  
Oil Rubbed Bronze

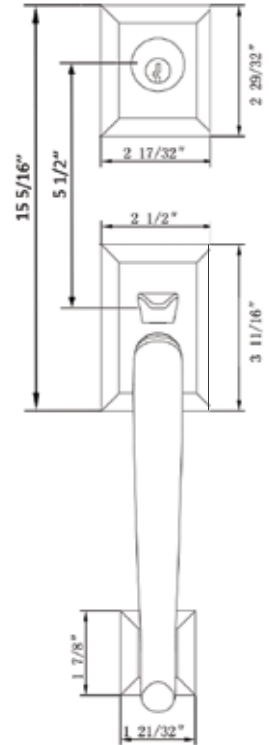
# ENTRANCE HANDLESETS

## Specifications:

|                       |   |                 |  |
|-----------------------|---|-----------------|--|
| <b>Door Prep</b>      | Deadbolt cross bore: 2-1/8"<br>Handleset cross bore: 2-1/8"<br>Edge bore: 1"<br>Latch Face: 1" x 2-1/4"<br>Mounting (center to center) 5-1/2" | <b>Latches</b>  | 2-3/8" Mortise Latch Standard<br>2-3/4" Mortise Latch Available<br>Faceplate: 1" x 2 1/4" Rd & Square Corner |
|                       |   | <b>Cylinder</b> | SC1 5-Pin C Keyway   |
| <b>Door Thickness</b> | 1-3/4" Standard<br>2", 2-1/4", & 2-1/2" Extension Kits Available  | <b>Strikes</b>  | Deadbolt: Full lip round corner (9117 & 9113)<br>Handle: Full lip round corner (9103 )                       |
| <b>Door Handing</b>   | Specify handing when ordering lever as Interior option  |                 |  |



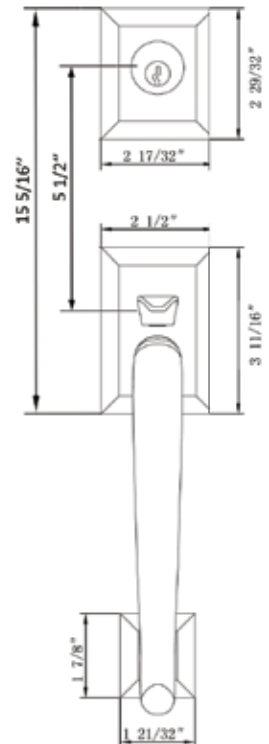
**913-SAVANNAH**  
*Handleset with*  
**615 Interior Plate and**  
**906 Interior Knob**  
*Shown in Satin Nickel*



| Function        | Finish                    | CTN Qty | Item No.     |
|-----------------|---------------------------|---------|--------------|
| Single Cylinder | Oil Rubbed Bronze (US10B) | 2       | BV913002906R |
| Single Cylinder | Satin Nickel (US15)       | 2       | BV913001906R |
| Single Cylinder | Matte Black (US19)        | 2       | BV913004906R |
| Single Cylinder | Bright Chrome (US26)      | 2       | BV913003906R |



**913-SAVANNAH**  
*Handleset with*  
**615 Interior Plate and**  
**939 Interior Lever**  
*Shown in Satin Nickel*



| Function        | Finish                    | CTN Qty | Item No.          |
|-----------------|---------------------------|---------|-------------------|
| Single Cylinder | Oil Rubbed Bronze (US10B) | 2       | BV913002939 (R/L) |
| Single Cylinder | Satin Nickel (US15)       | 2       | BV913001939 (R/L) |
| Single Cylinder | Matte Black (US19)        | 2       | BV913004939 (R/L) |
| Single Cylinder | Bright Chrome (US26)      | 2       | BV913003939 (R/L) |



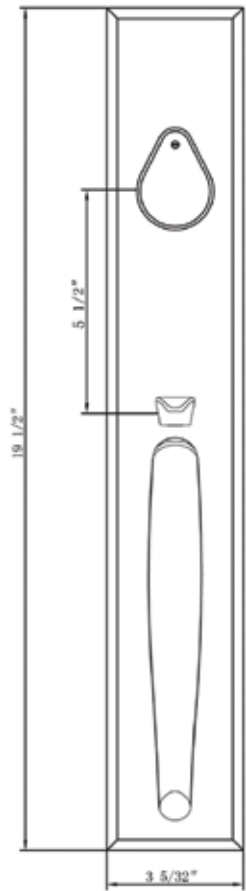
# Bravura ENTRANCE HANDLESETS



## 980G-1-CHARLESTON

*Handleset with*  
**615 Interior Plate and**  
**906 Interior Knob**  
 Shown in Satin Nickel

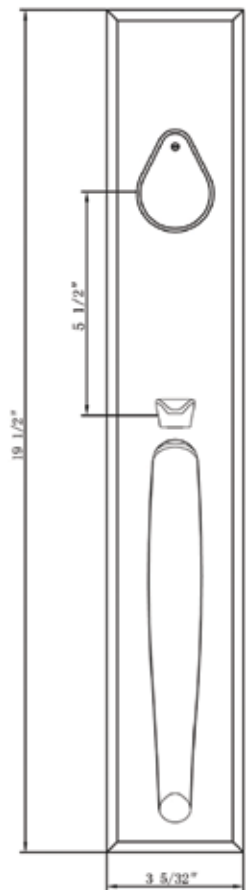
| Function        | Finish                    | CTN Qty | Item No.     |
|-----------------|---------------------------|---------|--------------|
| Single Cylinder | Oil Rubbed Bronze (US10B) | 2       | BV980001906R |
| Single Cylinder | Satin Nickel (US15)       | 2       | BV980000906R |
| Single Cylinder | Matte Black (US19)        | 2       | BV980005906R |
| Single Cylinder | Bright Chrome (US26)      | 2       | BV980003906R |



## 980G-1-CHARLESTON

*Handleset with*  
**615 Interior Plate and**  
**939 Interior Lever**  
 Shown in Satin Nickel

| Function        | Finish                    | CTN Qty | Item No.          |
|-----------------|---------------------------|---------|-------------------|
| Single Cylinder | Oil Rubbed Bronze (US10B) | 2       | BV980001939 (R/L) |
| Single Cylinder | Satin Nickel (US15)       | 2       | BV980000939 (R/L) |
| Single Cylinder | Matte Black (US19)        | 2       | BV980005939 (R/L) |
| Single Cylinder | Bright Chrome (US26)      | 2       | BV980003939 (R/L) |



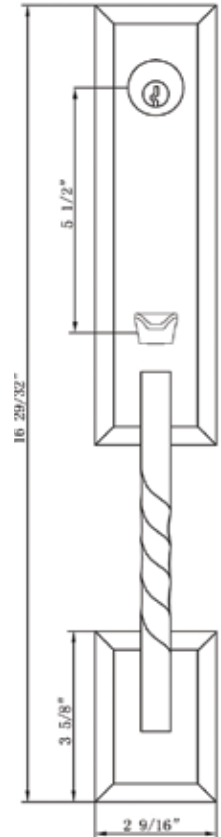
# Bravura. HANDLESETS



## 915-JACKSONVILLE

*Handleset with*  
**615 Interior Plate and**  
**906 Interior Knob**  
 Shown in Satin Nickel

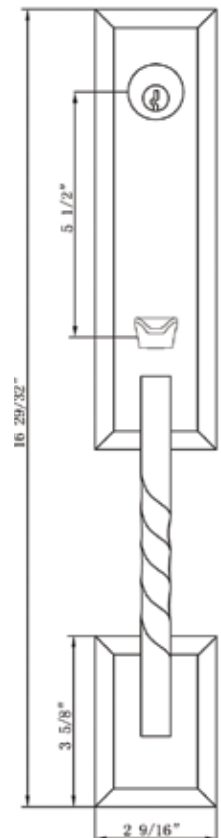
| Function        | Finish                    | CTN Qty | Item No.     |
|-----------------|---------------------------|---------|--------------|
| Single Cylinder | Oil Rubbed Bronze (US10B) | 2       | BV915002906R |
| Single Cylinder | Satin Nickel (US15)       | 2       | BV915001906R |
| Single Cylinder | Matte Black (US19)        | 2       | BV915005906R |
| Single Cylinder | Bright Chrome (US26)      | 2       | BV915003906R |



## 915-JACKSONVILLE

*Handleset with*  
**615 Interior Plate and**  
**939 Interior Lever**  
 Shown in Satin Nickel

| Function        | Finish                    | CTN Qty | Item No.          |
|-----------------|---------------------------|---------|-------------------|
| Single Cylinder | Oil Rubbed Bronze (US10B) | 2       | BV915002906 (R/L) |
| Single Cylinder | Satin Nickel (US15)       | 2       | BV915001906 (R/L) |
| Single Cylinder | Matte Black (US19)        | 2       | BV915005906 (R/L) |
| Single Cylinder | Bright Chrome (US26)      | 2       | BV915003906 (R/L) |



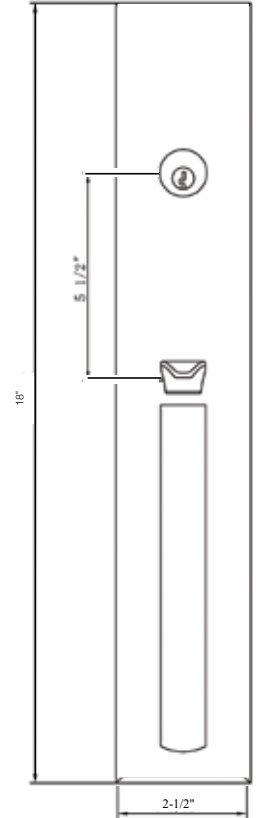
# Bravura® HANDLESETS



## 973-MONTGOMERY

*Handleset with*  
**672 Interior Plate and**  
**906 Interior Knob**  
 Shown in Satin Brass

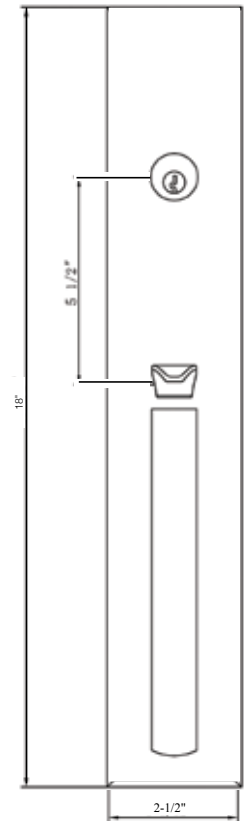
| Function        | Finish                    | CTN Qty | Item No.          |
|-----------------|---------------------------|---------|-------------------|
| Single Cylinder | Oil Rubbed Bronze (US10B) | 2       | BV973002906 (R/L) |
| Single Cylinder | Satin Nickel (US15)       | 2       | BV973001906 (R/L) |
| Single Cylinder | Matte Black (US19)        | 2       | BV973005906 (R/L) |
| Single Cylinder | Bright Chrome (US26)      | 2       | BV973003906 (R/L) |
| Single Cylinder | Satin Brass (US4)         | 2       | BV973004906 (R/L) |



## 973-MONTGOMERY

*Handleset with*  
**672 Interior Plate and**  
**939 Interior Lever**  
 Shown in Satin Brass

| Function        | Finish                    | CTN Qty | Item No.          |
|-----------------|---------------------------|---------|-------------------|
| Single Cylinder | Oil Rubbed Bronze (US10B) | 2       | BV973002939 (R/L) |
| Single Cylinder | Satin Nickel (US15)       | 2       | BV973001939 (R/L) |
| Single Cylinder | Matte Black (US19)        | 2       | BV973005939 (R/L) |
| Single Cylinder | Bright Chrome (US26)      | 2       | BV973003939 (R/L) |
| Single Cylinder | Satin Brass (US4)         | 2       | BV973004939 (R/L) |

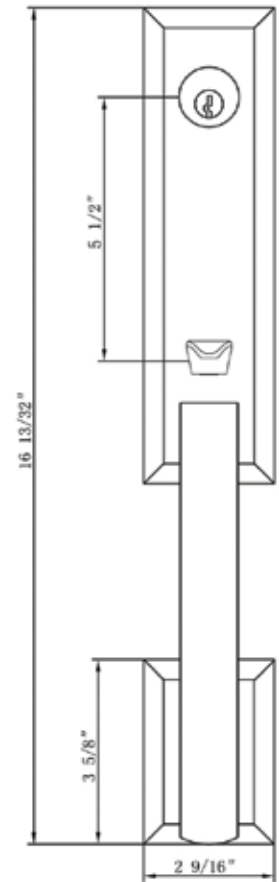


# Bravura® HANDLESETS



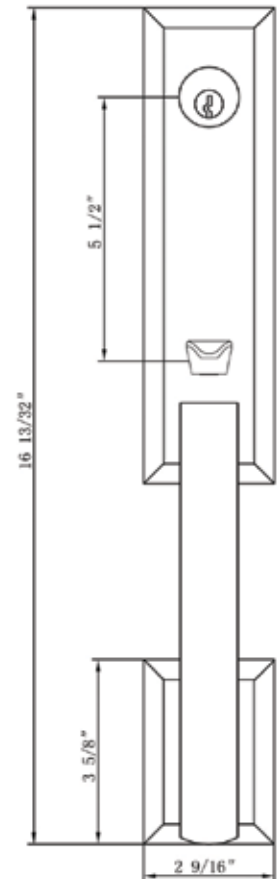
**971-AUSTIN**  
*Handleset with*  
**615 Interior Plate and**  
**906 Interior Knob**  
 Shown in Satin Nickel

| Function        | Finish                    | CTN Qty | Item No.     |
|-----------------|---------------------------|---------|--------------|
| Single Cylinder | Oil Rubbed Bronze (US10B) | 2       | BV971002906R |
| Single Cylinder | Satin Nickel (US15)       | 2       | BV971001906R |
| Single Cylinder | Matte Black (US19)        | 2       | BV971005906R |
| Single Cylinder | Bright Chrome (US26)      | 2       | BV971003906R |



**971-AUSTIN**  
*Handleset with*  
**615 Interior Plate and**  
**939 Interior Lever**  
 Shown in Satin Nickel

| Function        | Finish                    | CTN Qty | Item No.          |
|-----------------|---------------------------|---------|-------------------|
| Single Cylinder | Oil Rubbed Bronze (US10B) | 2       | BV971002939 (R/L) |
| Single Cylinder | Satin Nickel (US15)       | 2       | BV971001939 (R/L) |
| Single Cylinder | Matte Black (US19)        | 2       | BV971005939 (R/L) |
| Single Cylinder | Bright Chrome (US26)      | 2       | BV971003939 (R/L) |



# HANDLESET FINISH OPTIONS

|                   | US10B<br>OIL RUBBED<br>BRONZE | US15<br>SATIN<br>NICKEL | US19<br>MATTE<br>BLACK | US26<br>BRIGHT<br>CHROME | US4<br>SATIN<br>BRASS |
|-------------------|-------------------------------|-------------------------|------------------------|--------------------------|-----------------------|
| 980G-1-Charleston | •                             | •                       | •                      | •                        |                       |
| 913-Savannah      | •                             | •                       | •                      | •                        |                       |
| 915-Jacksonville  | •                             | •                       | •                      | •                        |                       |
| 973-Montgomery    | •                             | •                       | •                      | •                        | •                     |
| 971-Austin        | •                             | •                       | •                      | •                        |                       |

## DEADBOLTS

### Specifications: ANSI Rated Grade 2

|                       |   |                  |  |
|-----------------------|---|------------------|--|
| <b>Door Prep</b>      | Deadbolt cross bore: 2-1/8"<br>Edge bore: 1"<br>Latch Face: 1" x 2-1/4"           | <b>Latches</b>   | 2-3/8 to 2-3/4" Adjustable Latch Standard              |
|                       |   | <b>Cylinder</b>  | SC1 5-Pin C Keyway                                     |
| <b>Door Thickness</b> | 1-3/4" Standard, 1-3/8" Optional<br>2", 2-1/4", & 2-1/2" Extension Kits Available | <b>Strikes</b>   | Deadbolt: 9118R/S with Reinforcement Plate<br>Dust Box |
|                       |   | <b>Functions</b> | Single Cylinder  |

### RECTANGLE DEADBOLT

Shown in Satin Nickel



| Cylinder        | Finish                    | Item No. |
|-----------------|---------------------------|----------|
| Single Deadbolt | Satin Nickel (US15)       | BV910005 |
| Single Deadbolt | Oil Rubbed Bronze (US10B) | BV910006 |
| Single Deadbolt | Matte Black (US19)        | BV910097 |
| Single Deadbolt | Bright Chrome (US26)      | BV910103 |

### ARCHED DEADBOLT

Shown in Satin Nickel



| Cylinder        | Finish                    | Item No. |
|-----------------|---------------------------|----------|
| Single Deadbolt | Satin Nickel (US15)       | BV910007 |
| Single Deadbolt | Oil Rubbed Bronze (US10B) | BV910008 |
| Single Deadbolt | Matte Black (US19)        | BV910025 |
| Single Deadbolt | Bright Chrome (US26)      | BV910009 |

### ROUND DEADBOLT

Shown in Satin Nickel



| Cylinder        | Finish                    | Item No. |
|-----------------|---------------------------|----------|
| Single Deadbolt | Satin Nickel (US15)       | BV910604 |
| Single Deadbolt | Oil Rubbed Bronze (US10B) | BV910606 |
| Single Deadbolt | Matte Black (US19)        | BV910609 |
| Single Deadbolt | Bright Chrome (US26)      | BV910605 |

### SQUARE DEADBOLT

Shown in Satin Nickel



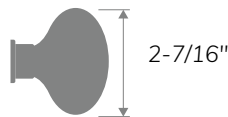
| Cylinder        | Finish                    | Item No. |
|-----------------|---------------------------|----------|
| Single Deadbolt | Satin Nickel (US15)       | BV910700 |
| Single Deadbolt | Oil Rubbed Bronze (US10B) | BV910702 |
| Single Deadbolt | Matte Black (US19)        | BV910709 |
| Single Deadbolt | Bright Chrome (US26)      | BV910701 |

# KNOBS & LEVERS

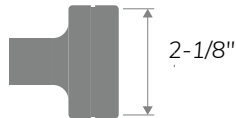
## Specifications:

|                       |  |                |  |
|-----------------------|--|----------------|--|
| <b>Door Prep</b>      | Cross bore: 2-1/8"<br>Edge bore: 1"<br>Latch Face: 1" x 2-1/4" | <b>Latches</b> | 2-3/8" Standard and 2-3/4" Optional<br>Faceplate: 1" x 2-1/4" round corner<br>Bolt: 1/2" Solid Brass throw<br>Drive-in or UL Available |
| <b>Backset</b>        | 2-3/8" Standard and 2-3/4" Optional                            | <b>Strikes</b> | Supplied with full lip round corner (9103) and square corner strikes (9102)  |
| <b>Door Thickness</b> | 1-3/8" ~ 2", 2-1/4" & 2-1/2" Extension Kits Available          |                |  |

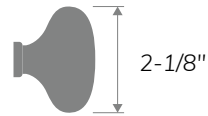
**905-OXFORD KNOB**



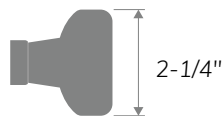
**947-DALLAS KNOB**



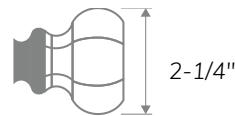
**906-MACON KNOB**



**936- NASHVILLE KNOB**



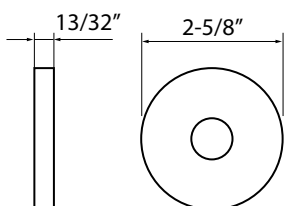
**925-BANCROFT KNOB**



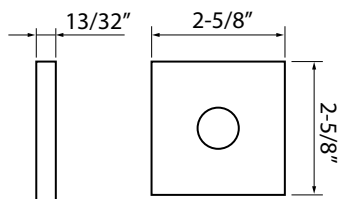
## TRIM DIMENSIONS

Examples shown in Satin Nickel

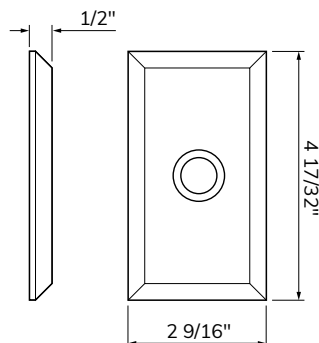
**-6  
ROUND**



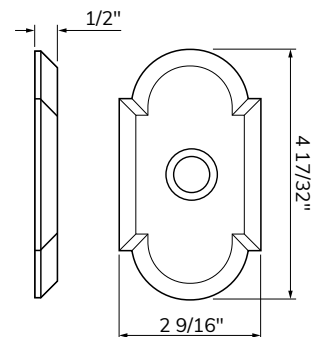
**-7  
SQUARE**



**G-1  
RECTANGLE**



**G-2  
ARCHED**



## 905-OXFORD KNOB

### 905-6 OXFORD

Shown in Satin Nickel  
with Round Trim



| Function | Finish                    | CTN Qty | Item No.  |
|----------|---------------------------|---------|-----------|
| Passage  | Oil Rubbed Bronze (US10B) | 12      | BV905-607 |
|          | Satin Nickel (US15)       | 12      | BV905-601 |
|          | Matte Black (US19)        | 12      | BV905-605 |
|          | Bright Chrome (US26)      | 12      | BV905-603 |
| Privacy  | Oil Rubbed Bronze (US10B) | 12      | BV905-617 |
|          | Satin Nickel (US15)       | 12      | BV905-611 |
|          | Matte Black (US19)        | 12      | BV905-615 |
|          | Bright Chrome (US26)      | 12      | BV905-613 |
| Dummy    | Oil Rubbed Bronze (US10B) | 12      | BV905-627 |
|          | Matte Black (US19)        | 12      | BV905-625 |
|          | Satin Nickel (US15)       | 12      | BV905-621 |
|          | Bright Chrome (US26)      | 12      | BV905-623 |

### 905-7 OXFORD

Shown in Satin Nickel  
with Square Trim



| Function | Finish                    | CTN Qty | Item No.  |
|----------|---------------------------|---------|-----------|
| Passage  | Matte Black (US19)        | 12      | BV905-705 |
|          | Oil Rubbed Bronze (US10B) | 12      | BV905093  |
|          | Satin Nickel (US15)       | 12      | BV905-701 |
|          | Bright Chrome (US26)      | 12      | BV905-703 |
| Privacy  | Oil Rubbed Bronze (US10B) | 12      | BV905094  |
|          | Satin Nickel (US15)       | 12      | BV905-711 |
|          | Matte Black (US19)        | 12      | BV905-715 |
|          | Bright Chrome (US26)      | 12      | BV905-713 |
| Dummy    | Oil Rubbed Bronze (US10B) | 12      | BV905095  |
|          | Satin Nickel (US15)       | 12      | BV905-721 |
|          | Matte Black (US19)        | 12      | BV905-725 |
|          | Bright Chrome (US26)      | 12      | BV905-723 |

### 905G-1 OXFORD

Shown in Satin Nickel  
with Rectangle Trim



| Function | Finish                    | CTN Qty | Item No.  |
|----------|---------------------------|---------|-----------|
| Passage  | Oil Rubbed Bronze (US10B) | 12      | BV905108  |
|          | Satin Nickel (US15)       | 12      | BV905107  |
|          | Matte Black (US19)        | 12      | BV905-105 |
|          | Bright Chrome (US26)      | 12      | BV905-103 |
| Privacy  | Oil Rubbed Bronze (US10B) | 12      | BV905118  |
|          | Satin Nickel (US15)       | 12      | BV905117  |
|          | Matte Black (US19)        | 12      | BV905-115 |
|          | Bright Chrome (US26)      | 12      | BV905-113 |
| Dummy    | Oil Rubbed Bronze (US10B) | 12      | BV905128  |
|          | Satin Nickel (US15)       | 12      | BV905127  |
|          | Matte Black (US19)        | 12      | BV905-125 |
|          | Bright Chrome (US26)      | 12      | BV905-123 |

## 905G-2 OXFORD

Shown in Satin Nickel  
with Arched Trim



| Function | Finish                    | CTN Qty | Item No.  |
|----------|---------------------------|---------|-----------|
| Passage  | Oil Rubbed Bronze (US10B) | 12      | BV905148  |
|          | Satin Nickel (US15)       | 12      | BV905147  |
|          | Matte Black (US19)        | 12      | BV905-205 |
|          | Bright Chrome (US26)      | 12      | BV905-203 |
| Privacy  | Oil Rubbed Bronze (US10B) | 12      | BV905158  |
|          | Satin Nickel (US15)       | 12      | BV905157  |
|          | Matte Black (US19)        | 12      | BV905-215 |
|          | Bright Chrome (US26)      | 12      | BV905-213 |
| Dummy    | Oil Rubbed Bronze (US10B) | 12      | BV905168  |
|          | Satin Nickel (US15)       | 12      | BV905167  |
|          | Matte Black (US19)        | 12      | BV905-225 |
|          | Bright Chrome (US26)      | 12      | BV905-223 |



## 906-MACON KNOB

### 906-6 MACON

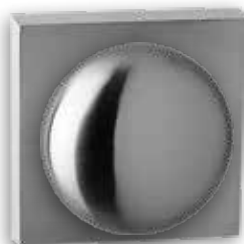
Shown in Satin Nickel  
with Round Trim



| Function | Finish                    | CTN Qty | Item No.  |
|----------|---------------------------|---------|-----------|
| Passage  | Oil Rubbed Bronze (US10B) | 12      | BV906-604 |
|          | Satin Nickel (US15)       | 12      | BV906-603 |
|          | Matte Black (US19)        | 12      | BV906-605 |
|          | Bright Chrome (US26)      | 12      | BV906-606 |
| Privacy  | Oil Rubbed Bronze (US10B) | 12      | BV906-612 |
|          | Satin Nickel (US15)       | 12      | BV906-613 |
|          | Matte Black (US19)        | 12      | BV906-615 |
|          | Bright Chrome (US26)      | 12      | BV906-616 |
| Dummy    | Oil Rubbed Bronze (US10B) | 12      | BV906-622 |
|          | Satin Nickel (US15)       | 12      | BV906-621 |
|          | Matte Black (US19)        | 12      | BV906-625 |
|          | Bright Chrome (US26)      | 12      | BV906-626 |

### 906-7 MACON

Shown in Satin Nickel  
with Square Trim



| Function | Finish                    | CTN Qty | Item No.  |
|----------|---------------------------|---------|-----------|
| Passage  | Oil Rubbed Bronze (US10B) | 12      | BV906-702 |
|          | Satin Nickel (US15)       | 12      | BV906-701 |
|          | Matte Black (US19)        | 12      | BV906-705 |
|          | Bright Chrome (US26)      | 12      | BV906-703 |
| Privacy  | Oil Rubbed Bronze (US10B) | 12      | BV906-712 |
|          | Satin Nickel (US15)       | 12      | BV906-711 |
|          | Matte Black (US19)        | 12      | BV906-715 |
|          | Bright Chrome (US26)      | 12      | BV906-713 |
| Dummy    | Oil Rubbed Bronze (US10B) | 12      | BV906-722 |
|          | Satin Nickel (US15)       | 12      | BV906-721 |
|          | Matte Black (US19)        | 12      | BV906-725 |
|          | Bright Chrome (US26)      | 12      | BV906-723 |

## 906-G-1 MACON

Shown in Satin Nickel  
with Rectangle Trim



| Function | Finish                    | CTN Qty | Item No.  |
|----------|---------------------------|---------|-----------|
| Passage  | Oil Rubbed Bronze (US10B) | 12      | BV906073  |
|          | Satin Nickel (US15)       | 12      | BV906072  |
|          | Matte Black (US19)        | 12      | BV906-105 |
|          | Bright Chrome (US26)      | 12      | BV906-103 |
| Privacy  | Oil Rubbed Bronze (US10B) | 12      | BV906083  |
|          | Satin Nickel (US15)       | 12      | BV906082  |
|          | Matte Black (US19)        | 12      | BV906-115 |
|          | Bright Chrome (US26)      | 12      | BV906-113 |
| Dummy    | Oil Rubbed Bronze (US10B) | 12      | BV906093  |
|          | Satin Nickel (US15)       | 12      | BV906092  |
|          | Matte Black (US19)        | 12      | BV906-125 |
|          | Bright Chrome (US26)      | 12      | BV906-123 |

## 906-G-2 MACON

Shown in Satin Nickel  
with Arched Trim



| Function | Finish                    | CTN Qty | Item No.  |
|----------|---------------------------|---------|-----------|
| Passage  | Oil Rubbed Bronze (US10B) | 12      | BV906-301 |
|          | Satin Nickel (US15)       | 12      | BV906-302 |
|          | Matte Black (US19)        | 12      | BV906-304 |
|          | Bright Chrome (US26)      | 12      | BV906-303 |
| Privacy  | Oil Rubbed Bronze (US10B) | 12      | BV906-311 |
|          | Satin Nickel (US15)       | 12      | BV906-312 |
|          | Matte Black (US19)        | 12      | BV906-314 |
|          | Bright Chrome (US26)      | 12      | BV906-313 |
| Dummy    | Oil Rubbed Bronze (US10B) | 12      | BV906-321 |
|          | Satin Nickel (US15)       | 12      | BV906-322 |
|          | Matte Black (US19)        | 12      | BV906-324 |
|          | Bright Chrome (US26)      | 12      | BV906-323 |

## 947-DALLAS KNOB

### 947-G-1 DALLAS

Shown in Satin Nickel  
with Rectangle Trim



| Function       | Finish            | CTN Qty | Item No.  |
|----------------|-------------------|---------|-----------|
| <b>Passage</b> | Satin Brass (US4) | 12      | BV947-200 |
| <b>Privacy</b> | Satin Brass (US4) | 12      | BV947-201 |
| <b>Dummy</b>   | Satin Brass (US4) | 12      | BV947-202 |

### 947-7 DALLAS

Shown in Satin Nickel  
with Square Trim



| Function       | Finish               | CTN Qty | Item No.  |
|----------------|----------------------|---------|-----------|
| <b>Passage</b> | Bright Chrome (US26) | 12      | BV947-703 |
|                | Satin Brass (US4)    | 12      | BV947-704 |
| <b>Privacy</b> | Bright Chrome (US26) | 12      | BV947-713 |
|                | Satin Brass (US4)    | 12      | BV947-714 |
| <b>Dummy</b>   | Bright Chrome (US26) | 12      | BV947-723 |
|                | Satin Brass (US4)    | 12      | BV947-724 |

## 936-NASHVILLE KNOB

### 936-6 NASHVILLE

Shown in Satin Nickel  
with Round Trim



| Function | Finish                    | CTN Qty | Item No.  |
|----------|---------------------------|---------|-----------|
| Passage  | Oil Rubbed Bronze (US10B) | 12      | BV936-606 |
|          | Satin Nickel (US15)       | 12      | BV936-601 |
|          | Matte Black (US19)        | 12      | BV936-608 |
|          | Bright Chrome (US26)      | 12      | BV936-603 |
| Privacy  | Oil Rubbed Bronze (US10B) | 12      | BV936-605 |
|          | Satin Nickel (US15)       | 12      | BV936-618 |
|          | Matte Black (US19)        | 12      | BV936-609 |
|          | Bright Chrome (US26)      | 12      | BV936-613 |
| Dummy    | Oil Rubbed Bronze (US10B) | 12      | BV936-607 |
|          | Satin Nickel (US15)       | 12      | BV936-628 |
|          | Matte Black (US19)        | 12      | BV936-610 |
|          | Bright Chrome (US26)      | 12      | BV936-623 |

### 936-7 NASHVILLE

Shown in Satin Nickel  
with Square Trim



| Function | Finish                    | CTN Qty | Item No.  |
|----------|---------------------------|---------|-----------|
| Passage  | Oil Rubbed Bronze (US10B) | 12      | BV936-707 |
|          | Satin Nickel (US15)       | 12      | BV936-701 |
|          | Matte Black (US19)        | 12      | BV936-702 |
|          | Bright Chrome (US26)      | 12      | BV936-703 |
| Privacy  | Oil Rubbed Bronze (US10B) | 12      | BV936-717 |
|          | Satin Nickel (US15)       | 12      | BV936-711 |
|          | Matte Black (US19)        | 12      | BV936-712 |
|          | Bright Chrome (US26)      | 12      | BV936-713 |
| Dummy    | Oil Rubbed Bronze (US10B) | 12      | BV936-727 |
|          | Satin Nickel (US15)       | 12      | BV936-721 |
|          | Matte Black (US19)        | 12      | BV936-720 |
|          | Bright Chrome (US26)      | 12      | BV936-723 |

## 936-G-1 NASHVILLE

Shown in Satin Nickel  
with Rectangle Trim



| Function | Finish                    | CTN Qty | Item No.  |
|----------|---------------------------|---------|-----------|
| Passage  | Oil Rubbed Bronze (US10B) | 12      | BV936-152 |
|          | Satin Nickel (US15)       | 12      | BV936-151 |
|          | Matte Black (US19)        | 12      | BV936-155 |
|          | Bright Chrome (US26)      | 12      | BV936-156 |
| Privacy  | Oil Rubbed Bronze (US10B) | 12      | BV936-162 |
|          | Satin Nickel (US15)       | 12      | BV936-161 |
|          | Matte Black (US19)        | 12      | BV936-165 |
|          | Bright Chrome (US26)      | 12      | BV936-166 |
| Dummy    | Oil Rubbed Bronze (US10B) | 12      | BV936-172 |
|          | Satin Nickel (US15)       | 12      | BV936-171 |
|          | Matte Black (US19)        | 12      | BV936-175 |
|          | Bright Chrome (US26)      | 12      | BV936-176 |

## 936-G-2 NASHVILLE

Shown in Satin Nickel  
with Arched Trim



| Function | Finish                    | CTN Qty | Item No.  |
|----------|---------------------------|---------|-----------|
| Passage  | Oil Rubbed Bronze (US10B) | 12      | BV936-252 |
|          | Satin Nickel (US15)       | 12      | BV936-251 |
|          | Matte Black (US19)        | 12      | BV936-255 |
|          | Bright Chrome (US26)      | 12      | BV936-256 |
| Privacy  | Oil Rubbed Bronze (US10B) | 12      | BV936-262 |
|          | Satin Nickel (US15)       | 12      | BV936-261 |
|          | Matte Black (US19)        | 12      | BV936-265 |
|          | Bright Chrome (US26)      | 12      | BV936-266 |
| Dummy    | Oil Rubbed Bronze (US10B) | 12      | BV936-272 |
|          | Satin Nickel (US15)       | 12      | BV936-271 |
|          | Matte Black (US19)        | 12      | BV936-275 |
|          | Bright Chrome (US26)      | 12      | BV936-276 |

# Bravura CRYSTAL KNOBS

## 925-BANCROFT CRYSTAL KNOB

### 925-6 BANCROFT

Shown in Satin Nickel  
with Round Trim



| Function | Finish                    | CTN Qty | Item No.  |
|----------|---------------------------|---------|-----------|
| Passage  | Oil Rubbed Bronze (US10B) | 12      | BV925-302 |
|          | Satin Nickel (US15)       | 12      | BV925-601 |
|          | Matte Black (US19)        | 12      | BV925-605 |
|          | Bright Chrome (US26)      | 12      | BV925-603 |
| Privacy  | Oil Rubbed Bronze (US10B) | 12      | BV925-312 |
|          | Satin Nickel (US15)       | 12      | BV925-611 |
|          | Matte Black (US19)        | 12      | BV925-615 |
|          | Bright Chrome (US26)      | 12      | BV925-613 |
| Dummy    | Oil Rubbed Bronze (US10B) | 12      | BV925-322 |
|          | Satin Nickel (US15)       | 12      | BV925-621 |
|          | Matte Black (US19)        | 12      | BV925-625 |
|          | Bright Chrome (US26)      | 12      | BV925-623 |

### 925-7 BANCROFT

Shown in Satin Nickel  
with Square Trim



| Function | Finish                    | CTN Qty | Item No.  |
|----------|---------------------------|---------|-----------|
| Passage  | Oil Rubbed Bronze (US10B) | 12      | BV925-702 |
|          | Satin Nickel (US15)       | 12      | BV925-701 |
|          | Matte Black (US19)        | 12      | BV925-705 |
|          | Bright Chrome (US26)      | 12      | BV925-703 |
| Privacy  | Oil Rubbed Bronze (US10B) | 12      | BV925-712 |
|          | Satin Nickel (US15)       | 12      | BV925-711 |
|          | Matte Black (US19)        | 12      | BV925-715 |
|          | Bright Chrome (US26)      | 12      | BV925-713 |
| Dummy    | Oil Rubbed Bronze (US10B) | 12      | BV925-722 |
|          | Satin Nickel (US15)       | 12      | BV925-721 |
|          | Matte Black (US19)        | 12      | BV925-725 |
|          | Bright Chrome (US26)      | 12      | BV925-723 |

# Bravura CRYSTAL KNOBS

## 925-BANCROFT CRYSTAL KNOB

### 925-G-1 BANCROFT

Shown in Satin Nickel  
with Rectangle Trim



| Function | Finish                    | CTN Qty | Item No.  |
|----------|---------------------------|---------|-----------|
| Passage  | Oil Rubbed Bronze (US10B) | 12      | BV925-152 |
|          | Satin Nickel (US15)       | 12      | BV925-151 |
|          | Matte Black (US19)        | 12      | BV925-155 |
|          | Bright Chrome (US26)      | 12      | BV925-153 |
| Privacy  | Oil Rubbed Bronze (US10B) | 12      | BV925-162 |
|          | Satin Nickel (US15)       | 12      | BV925-161 |
|          | Matte Black (US19)        | 12      | BV925-165 |
|          | Bright Chrome (US26)      | 12      | BV925-163 |
| Dummy    | Oil Rubbed Bronze (US10B) | 12      | BV925-122 |
|          | Satin Nickel (US15)       | 12      | BV925-121 |
|          | Matte Black (US19)        | 12      | BV925-125 |
|          | Bright Chrome (US26)      | 12      | BV925-123 |

### 925-G-2 BANCROFT

Shown in Satin Nickel  
with Arched Trim



| Function | Finish                    | CTN Qty | Item No.  |
|----------|---------------------------|---------|-----------|
| Passage  | Oil Rubbed Bronze (US10B) | 12      | BV925-602 |
|          | Satin Nickel (US15)       | 12      | BV925-251 |
|          | Matte Black (US19)        | 12      | BV925-655 |
|          | Bright Chrome (US26)      | 12      | BV925-253 |
| Privacy  | Oil Rubbed Bronze (US10B) | 12      | BV925-612 |
|          | Satin Nickel (US15)       | 12      | BV925-252 |
|          | Matte Black (US19)        | 12      | BV925-665 |
|          | Bright Chrome (US26)      | 12      | BV925-263 |
| Dummy    | Oil Rubbed Bronze (US10B) | 12      | BV925-622 |
|          | Satin Nickel (US15)       | 12      | BV925-626 |
|          | Matte Black (US19)        | 12      | BV925-675 |
|          | Bright Chrome (US26)      | 12      | BV925-273 |

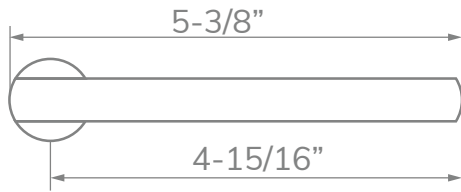
# Bravura LEVERS

## Specifications:

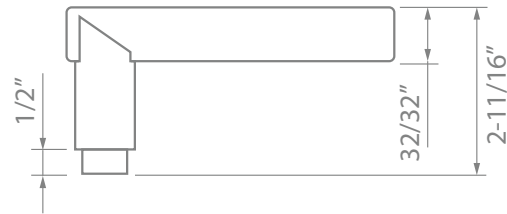
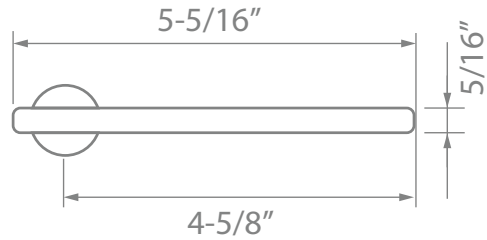
|                       |  |                  |  |
|-----------------------|--|------------------|--|
| <b>Door Prep</b>      | Cross bore: 2-1/8"<br>Edge bore: 1"<br>Latch Face: 1" x 2-1/4" | <b>Latches</b>   | 2-3/8" Standard and 2-3/4" Optional<br>Faceplate: 1" x 2-1/4" round corner<br>Bolt: 1/2" Solid Brass throw<br>Drive-in or UL Available |
| <b>Backset</b>        | 2-3/8" Standard and 2-3/4" Optional                            | <b>Strikes</b>   | Supplied with full lip round corner (9103) and square corner strikes (9102)  |
| <b>Door Thickness</b> | 1-3/8" ~ 2", 2-1/4" & 2-1/2" Extension Kits Available          | <b>Trim Size</b> | 2-5/8" diameter  |

## LEVER DIMENSIONS

**939 CHARLOTTE LEVER**



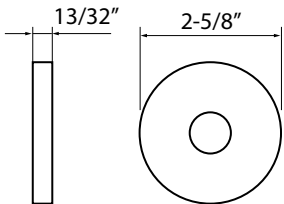
**943 RALEIGH LEVER**



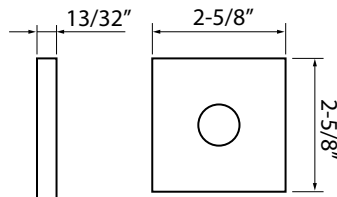
## TRIM DIMENSIONS

Examples shown in Chrome

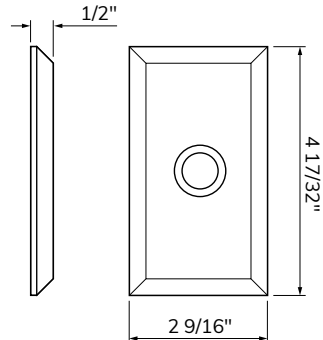
**-6 ROUND**



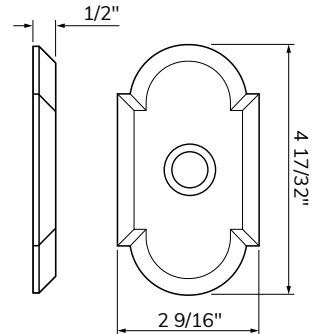
**-7 SQUARE**



**G-1 RECTANGLE**



**G-2 ARCHED**





## 939-CHARLOTTE LEVER

### 939-6 CHARLOTTE

Shown in Satin Nickel  
with Round Trim



| Function | Finish                    | CTN Qty | Item No.  |
|----------|---------------------------|---------|-----------|
| Passage  | Oil Rubbed Bronze (US10B) | 12      | BV939-102 |
|          | Satin Nickel (US15)       | 12      | BV939-100 |
|          | Matte Black (US19)        | 12      | BV939-142 |
|          | Bright Chrome (US26)      | 12      | BV939-101 |
| Privacy  | Oil Rubbed Bronze (US10B) | 12      | BV939-112 |
|          | Satin Nickel (US15)       | 12      | BV939-110 |
|          | Matte Black (US19)        | 12      | BV939-143 |
|          | Bright Chrome (US26)      | 12      | BV939-111 |
| Dummy    | Oil Rubbed Bronze (US10B) | 12      | BV939-122 |
|          | Satin Nickel (US15)       | 12      | BV939-120 |
|          | Matte Black (US19)        | 12      | BV939-144 |
|          | Bright Chrome (US26)      | 12      | BV939-121 |

### 939-7 CHARLOTTE

Shown in Satin Nickel  
with Square Trim

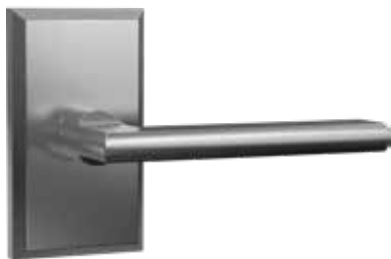


| Function | Finish                    | CTN Qty | Item No.  |
|----------|---------------------------|---------|-----------|
| Passage  | Oil Rubbed Bronze (US10B) | 12      | BV939-702 |
|          | Satin Nickel (US15)       | 12      | BV939-701 |
|          | Matte Black (US19)        | 12      | BV939-152 |
|          | Satin Brass (US4)         | 12      | BV939-743 |
|          | Bright Chrome (US26)      | 12      | BV939-703 |
| Privacy  | Oil Rubbed Bronze (US10B) | 12      | BV939-712 |
|          | Satin Nickel (US15)       | 12      | BV939-711 |
|          | Matte Black (US19)        | 12      | BV939-153 |
|          | Satin Brass (US4)         | 12      | BV939-753 |
| Dummy    | Bright Chrome (US26)      | 12      | BV939-713 |
|          | Oil Rubbed Bronze (US10B) | 12      | BV939-722 |
|          | Satin Nickel (US15)       | 12      | BV939-721 |
|          | Matte Black (US19)        | 12      | BV939-154 |
|          | Satin Brass (US4)         | 12      | BV939-763 |
|          | Bright Chrome (US26)      | 12      | BV939-723 |

# Bravura LEVERS

## 939-G-1 CHARLOTTE

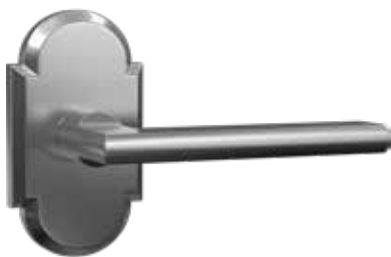
Shown in Satin Nickel  
with Rectangle Trim



| Function | Finish                    | CTN Qty | Item No.  |
|----------|---------------------------|---------|-----------|
| Passage  | Oil Rubbed Bronze (US10B) | 12      | BV939-104 |
|          | Satin Nickel (US15)       | 12      | BV939-105 |
|          | Matte Black (US19)        | 12      | BV939020  |
|          | Satin Brass (US4)         | 12      | BV939017  |
|          | Bright Chrome (US26)      | 12      | BV939103  |
| Privacy  | Oil Rubbed Bronze (US10B) | 12      | BV939-114 |
|          | Satin Nickel (US15)       | 12      | BV939-115 |
|          | Matte Black (US19)        | 12      | BV939025  |
|          | Satin Brass (US4)         | 12      | BV939027  |
|          | Bright Chrome (US26)      | 12      | BV939113  |
| Dummy    | Oil Rubbed Bronze (US10B) | 12      | BV939-124 |
|          | Satin Nickel (US15)       | 12      | BV939-125 |
|          | Matte Black (US19)        | 12      | BV939115  |
|          | Satin Brass (US4)         | 12      | BV939117  |
|          | Bright Chrome (US26)      | 12      | BV939123  |

## 939-G-2 CHARLOTTE

Shown in Satin Nickel  
with Arched Trim

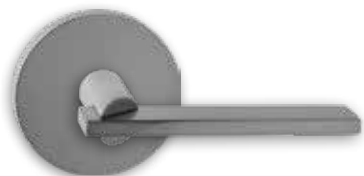


| Function | Finish                    | CTN Qty | Item No.  |
|----------|---------------------------|---------|-----------|
| Passage  | Oil Rubbed Bronze (US10B) | 12      | BV939-207 |
|          | Satin Nickel (US15)       | 12      | BV939-141 |
|          | Matte Black (US19)        | 12      | BV939-205 |
|          | Bright Chrome (US26)      | 12      | BV939-203 |
| Privacy  | Oil Rubbed Bronze (US10B) | 12      | BV939-217 |
|          | Satin Nickel (US15)       | 12      | BV939-211 |
|          | Matte Black (US19)        | 12      | BV939026  |
|          | Bright Chrome (US26)      | 12      | BV939-213 |
| Dummy    | Oil Rubbed Bronze (US10B) | 12      | BV939-227 |
|          | Satin Nickel (US15)       | 12      | BV939-191 |
|          | Matte Black (US19)        | 12      | BV939116  |
|          | Bright Chrome (US26)      | 12      | BV939-223 |

## 943-RALEIGH LEVER

### 943-6 RALEIGH

Shown in Satin Nickel  
with Round Trim



| Function | Finish                    | CTN Qty | Item No.  |
|----------|---------------------------|---------|-----------|
| Passage  | Oil Rubbed Bronze (US10B) | 12      | BV943-302 |
|          | Satin Nickel (US15)       | 12      | BV943-301 |
|          | Matte Black (US19)        | 12      | BV943-305 |
|          | Bright Chrome (US26)      | 12      | BV943-303 |
| Privacy  | Oil Rubbed Bronze (US10B) | 12      | BV943-312 |
|          | Satin Nickel (US15)       | 12      | BV943-311 |
|          | Matte Black (US19)        | 12      | BV943-315 |
|          | Bright Chrome (US26)      | 12      | BV943-313 |
| Dummy    | Oil Rubbed Bronze (US10B) | 12      | BV943-322 |
|          | Satin Nickel (US15)       | 12      | BV943-321 |
|          | Matte Black (US19)        | 12      | BV943-325 |
|          | Bright Chrome (US26)      | 12      | BV943-323 |

### 943-7 RALEIGH

Shown in Satin Nickel  
with Square Trim



| Function | Finish                    | CTN Qty | Item No.  |
|----------|---------------------------|---------|-----------|
| Passage  | Oil Rubbed Bronze (US10B) | 12      | BV943-702 |
|          | Satin Nickel (US15)       | 12      | BV943-701 |
|          | Matte Black (US19)        | 12      | BV943-705 |
|          | Bright Chrome (US26)      | 12      | BV943-703 |
| Privacy  | Oil Rubbed Bronze (US10B) | 12      | BV943-712 |
|          | Satin Nickel (US15)       | 12      | BV943-711 |
|          | Matte Black (US19)        | 12      | BV943-706 |
|          | Bright Chrome (US26)      | 12      | BV943-713 |
| Dummy    | Oil Rubbed Bronze (US10B) | 12      | BV943-722 |
|          | Satin Nickel (US15)       | 12      | BV943-721 |
|          | Matte Black (US19)        | 12      | BV943-707 |
|          | Bright Chrome (US26)      | 12      | BV943-723 |

# Bravura LEVERS

## 943-G-1 RALEIGH

Shown in Satin Nickel  
with Rectangle Trim



| Function | Finish                    | CTN Qty | Item No.  |
|----------|---------------------------|---------|-----------|
| Passage  | Oil Rubbed Bronze (US10B) | 12      | BV943-107 |
|          | Satin Nickel (US15)       | 12      | BV943-101 |
|          | Matte Black (US19)        | 12      | BV943-104 |
|          | Bright Chrome (US26)      | 12      | BV943-106 |
| Privacy  | Oil Rubbed Bronze (US10B) | 12      | BV943-117 |
|          | Satin Nickel (US15)       | 12      | BV943-111 |
|          | Bright Chrome (US26)      | 12      | BV943-116 |
|          | Matte Black (US19)        | 12      | BV943-114 |
| Dummy    | Oil Rubbed Bronze (US10B) | 12      | BV943-127 |
|          | Satin Nickel (US15)       | 12      | BV943-121 |
|          | Matte Black (US19)        | 12      | BV943-124 |
|          | Bright Chrome (US26)      | 12      | BV943-126 |

## 943-G-2 RALEIGH

Shown in Satin Nickel  
with Arched Trim



| Function | Finish                    | CTN Qty | Item No.  |
|----------|---------------------------|---------|-----------|
| Passage  | Oil Rubbed Bronze (US10B) | 12      | BV943-207 |
|          | Satin Nickel (US15)       | 12      | BV943-201 |
|          | Matte Black (US19)        | 12      | BV943-204 |
|          | Bright Chrome (US26)      | 12      | BV943-203 |
| Privacy  | Oil Rubbed Bronze (US10B) | 12      | BV943-217 |
|          | Satin Nickel (US15)       | 12      | BV943-211 |
|          | Matte Black (US19)        | 12      | BV943-214 |
|          | Bright Chrome (US26)      | 12      | BV943-213 |
| Dummy    | Oil Rubbed Bronze (US10B) | 12      | BV943-227 |
|          | Satin Nickel (US15)       | 12      | BV943-221 |
|          | Matte Black (US19)        | 12      | BV943-224 |
|          | Bright Chrome (US26)      | 12      | BV943-223 |

## 904S-MEMPHIS LEVER

### 904S-G-1 MEMPHIS

Shown in Satin Nickel  
with Rectangle Trim



| Function | Finish                    | CTN Qty | Item No. |
|----------|---------------------------|---------|----------|
| Passage  | Oil Rubbed Bronze (US10B) | 12      | BV904102 |
|          | Satin Nickel (US15)       | 12      | BV904104 |
|          | Matte Black (US19)        | 12      | BV904109 |
| Privacy  | Oil Rubbed Bronze (US10B) | 12      | BV904115 |
|          | Satin Nickel (US15)       | 12      | BV904114 |
|          | Matte Black (US19)        | 12      | BV904119 |
| Dummy    | Oil Rubbed Bronze (US10B) | 12      | BV904125 |
|          | Satin Nickel (US15)       | 12      | BV904124 |
|          | Matte Black (US19)        | 12      | BV904129 |

### 904S-G-2 MEMPHIS

Shown in Satin Nickel  
with Arched Trim

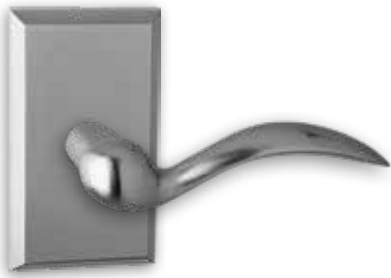


| Function | Finish                    | CTN Qty | Item No. |
|----------|---------------------------|---------|----------|
| Passage  | Oil Rubbed Bronze (US10B) | 12      | BV904145 |
|          | Satin Nickel (US15)       | 12      | BV904144 |
|          | Matte Black (US19)        | 12      | BV904149 |
| Privacy  | Oil Rubbed Bronze (US10B) | 12      | BV904155 |
|          | Satin Nickel (US15)       | 12      | BV904154 |
|          | Matte Black (US19)        | 12      | BV904159 |
| Dummy    | Oil Rubbed Bronze (US10B) | 12      | BV904165 |
|          | Satin Nickel (US15)       | 12      | BV904164 |
|          | Matte Black (US19)        | 12      | BV904169 |

## 909-COLUMBUS LEVER

### 909-G-1 COLUMBUS

Shown in Satin Nickel  
with Rectangle Trim



| Function | Finish                    | CTN Qty | Item No.                       |
|----------|---------------------------|---------|--------------------------------|
| Passage  | Oil Rubbed Bronze (US10B) | 12      | BV909002 (LH)<br>BV909003 (RH) |
|          | Satin Nickel (US15)       | 12      | BV909000 (LH)<br>BV909001 (RH) |
|          | Matte Black (US19)        | 12      | BV909010 (LH)<br>BV909011 (RH) |
| Privacy  | Oil Rubbed Bronze (US10B) | 12      | BV909016 (LH)<br>BV909017 (RH) |
|          | Satin Nickel (US15)       | 12      | BV909014 (LH)<br>BV909015 (RH) |
|          | Matte Black (US19)        | 12      | BV909018 (LH)<br>BV909019 (RH) |
| Dummy    | Oil Rubbed Bronze (US10B) | 12      | BV909030 (LH)<br>BV909031 (RH) |
|          | Satin Nickel (US15)       | 12      | BV909028 (LH)<br>BV909029 (RH) |
|          | Matte Black (US19)        | 12      | BV909038 (LH)<br>BV909039 (RH) |

### 909-G-2 COLUMBUS

Shown in Satin Nickel  
with Arched Trim



| Function | Finish                    | CTN Qty | Item No.                       |
|----------|---------------------------|---------|--------------------------------|
| Passage  | Oil Rubbed Bronze (US10B) | 12      | BV909058 (LH)<br>BV909059 (RH) |
|          | Satin Nickel (US15)       | 12      | BV909056 (LH)<br>BV909057 (RH) |
|          | Matte Black (US19)        | 12      | BV909052 (LH)<br>BV909053 (RH) |
| Privacy  | Oil Rubbed Bronze (US10B) | 12      | BV909072 (LH)<br>BV909073 (RH) |
|          | Satin Nickel (US15)       | 12      | BV909070 (LH)<br>BV909071 (RH) |
|          | Matte Black (US19)        | 12      | BV909074 (LH)<br>BV909075 (RH) |
| Dummy    | Oil Rubbed Bronze (US10B) | 12      | BV909086 (LH)<br>BV909087 (RH) |
|          | Satin Nickel (US15)       | 12      | BV909084 (LH)<br>BV909085 (RH) |
|          | Matte Black (US19)        | 12      | BV909092 (LH)<br>BV909093 (RH) |

## 940-MIRAMAR LEVER

### 940-6 MIRAMAR

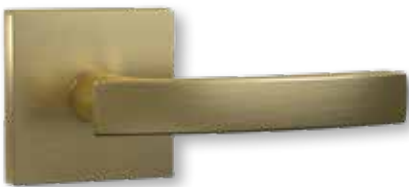
Shown in Satin Brass  
with Round Trim



| Function | Finish            | CTN Qty | Item No.  |
|----------|-------------------|---------|-----------|
| Passage  | Satin Brass (US4) | 12      | BV940-106 |
| Privacy  | Satin Brass (US4) | 12      | BV940-316 |
| Dummy    | Satin Brass (US4) | 12      | BV940-326 |

### 940-7 MIRAMAR

Shown in Satin Brass  
with Rectangle Trim



| Function | Finish            | CTN Qty | Item No.  |
|----------|-------------------|---------|-----------|
| Passage  | Satin Brass (US4) | 12      | BV940-706 |
| Privacy  | Satin Brass (US4) | 12      | BV940-716 |
| Dummy    | Satin Brass (US4) | 12      | BV940-726 |

# Bravura KNOBS & LEVERS

## Specifications:

|                       |   |                |  |
|-----------------------|---|----------------|--|
| <b>Door Prep</b>      | Deadbolt cross bore: 2-1/8"<br>Cross bore: 2-1/8"<br>Edge bore: 1"<br>Latch Face: 1" x 2-1/4" | <b>Latches</b> | 2-3/8" Standard and 2-3/4" Optional<br>Faceplate: 1" x 2-1/4" round corner<br>Bolt: 1/2" Solid Brass throw |
| <b>Backset</b>        | 2-3/8" Standard and 2-3/4" Optional   | <b>Strikes</b> | Full lip round corner (9103) and square  |
| <b>Door Thickness</b> | 1-3/8" ~ 2", 2-1/4" Extension Kits Available  |                |  |

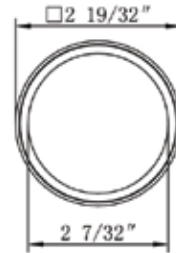
## ELITE SERIES

### 336B LYNCHBURG KNOB

Shown in Satin Nickel  
with Round Trim



| Function | Finish                    | CTN Qty | Item No. |
|----------|---------------------------|---------|----------|
| Passage  | Oil Rubbed Bronze (US10B) | 12      | BV336002 |
|          | Satin Nickel (US15)       | 12      | BV336001 |
| Privacy  | Oil Rubbed Bronze (US10B) | 12      | BV336012 |
|          | Satin Nickel (US15)       | 12      | BV336011 |
| Dummy    | Oil Rubbed Bronze (US10B) | 12      | BV336022 |
|          | Satin Nickel (US15)       | 12      | BV336021 |

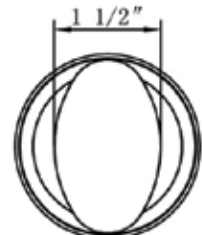
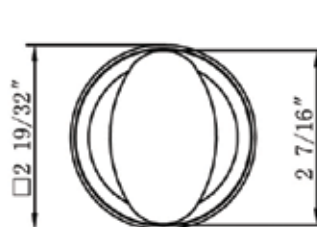
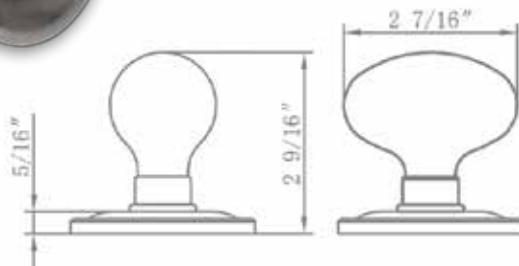


### 335B ALBANY KNOB

Shown in Satin Nickel  
with Round Trim



| Function | Finish                    | CTN Qty | Item No. |
|----------|---------------------------|---------|----------|
| Passage  | Oil Rubbed Bronze (US10B) | 12      | BV335002 |
|          | Satin Nickel (US15)       | 12      | BV335001 |
| Privacy  | Oil Rubbed Bronze (US10B) | 12      | BV335012 |
|          | Satin Nickel (US15)       | 12      | BV335011 |
| Dummy    | Oil Rubbed Bronze (US10B) | 12      | BV335022 |
|          | Satin Nickel (US15)       | 12      | BV335021 |



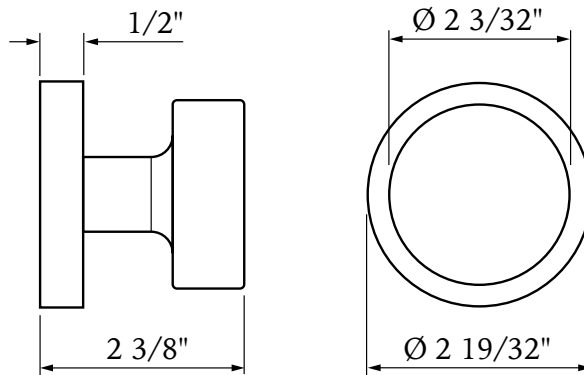


## 347RC NORFOLK KNOB

Shown in Satin Nickel  
with Round Trim



| Function | Finish                    | CTN Qty | Item No. |
|----------|---------------------------|---------|----------|
| Passage  | Oil Rubbed Bronze (US10B) | 12      | BV347602 |
|          | Satin Nickel (US15)       | 12      | BV347601 |
| Privacy  | Oil Rubbed Bronze (US10B) | 12      | BV347612 |
|          | Satin Nickel (US15)       | 12      | BV347611 |
| Dummy    | Oil Rubbed Bronze (US10B) | 12      | BV347622 |
|          | Satin Nickel (US15)       | 12      | BV347621 |

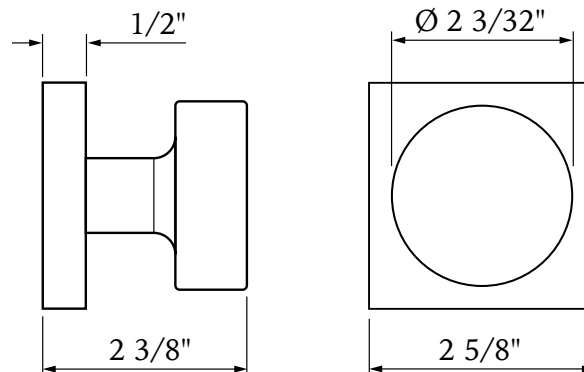


## 347SC BILOXI KNOB

Shown in Satin Nickel  
with Square Trim



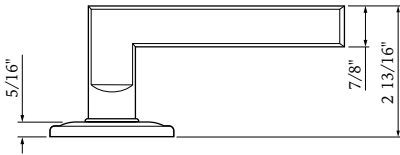
| Function | Finish                    | CTN Qty | Item No. |
|----------|---------------------------|---------|----------|
| Passage  | Oil Rubbed Bronze (US10B) | 12      | BV347702 |
|          | Satin Nickel (US15)       | 12      | BV347701 |
| Privacy  | Oil Rubbed Bronze (US10B) | 12      | BV347712 |
|          | Satin Nickel (US15)       | 12      | BV347711 |
| Dummy    | Oil Rubbed Bronze (US10B) | 12      | BV347722 |
|          | Satin Nickel (US15)       | 12      | BV347721 |



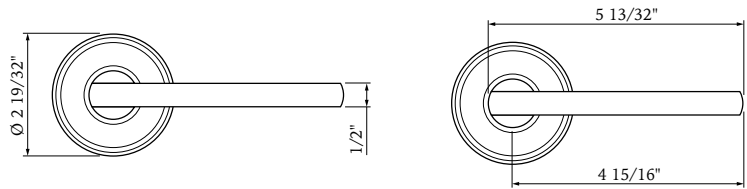
# Bravura KNOBS & LEVERS

## 333B ATLANTA LEVER

Shown in Satin Nickel  
with Round Trim

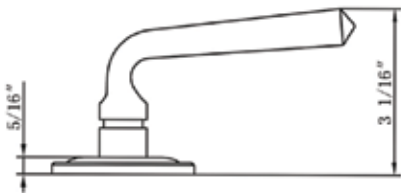


| Function | Finish                    | CTN Qty | Item No. |
|----------|---------------------------|---------|----------|
| Passage  | Oil Rubbed Bronze (US10B) | 12      | BV333002 |
|          | Satin Nickel (US15)       | 12      | BV333001 |
|          | Matte Black (US19)        | 12      | BV333004 |
| Privacy  | Oil Rubbed Bronze (US10B) | 12      | BV333012 |
|          | Satin Nickel (US15)       | 12      | BV333011 |
|          | Matte Black (US19)        | 12      | BV333014 |
| Dummy    | Oil Rubbed Bronze (US10B) | 12      | BV333022 |
|          | Satin Nickel (US15)       | 12      | BV333021 |
|          | Matte Black (US19)        | 12      | BV333024 |

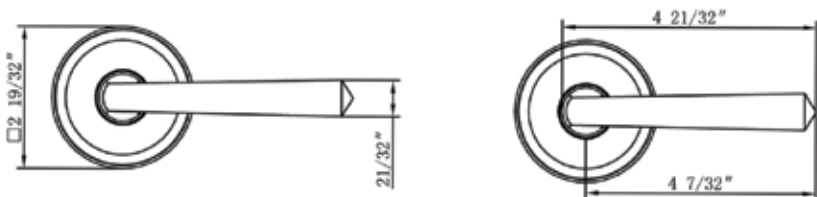


## 334SB HELEN LEVER

Shown in Satin Nickel  
with Round Trim



| Function | Finish                    | CTN Qty | Item No. |
|----------|---------------------------|---------|----------|
| Passage  | Oil Rubbed Bronze (US10B) | 12      | BV334002 |
|          | Satin Nickel (US15)       | 12      | BV334001 |
|          | Matte Black (US19)        | 12      | BV334004 |
| Privacy  | Oil Rubbed Bronze (US10B) | 12      | BV334012 |
|          | Satin Nickel (US15)       | 12      | BV334011 |
|          | Matte Black (US19)        | 12      | BV334014 |
| Dummy    | Oil Rubbed Bronze (US10B) | 12      | BV334022 |
|          | Satin Nickel (US15)       | 12      | BV334021 |
|          | Matte Black (US19)        | 12      | BV334024 |



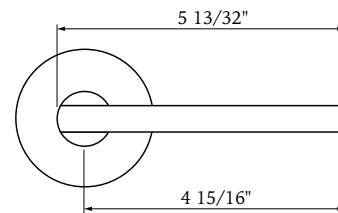
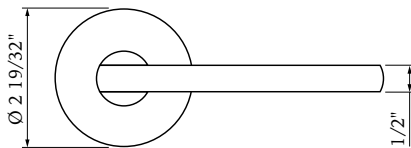
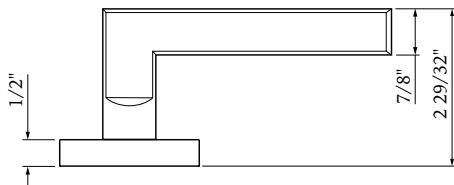
# Bravura KNOBS & LEVERS

## 333RC ORLANDO LEVER

Shown in Satin Nickel  
with Round Trim



| Function | Finish                    | CTN Qty | Item No. |
|----------|---------------------------|---------|----------|
| Passage  | Oil Rubbed Bronze (US10B) | 12      | BV333602 |
|          | Satin Nickel (US15)       | 12      | BV333601 |
|          | Matte Black (US19)        | 12      | BV333604 |
| Privacy  | Oil Rubbed Bronze (US10B) | 12      | BV333612 |
|          | Satin Nickel (US15)       | 12      | BV333611 |
|          | Matte Black (US19)        | 12      | BV333614 |
| Dummy    | Oil Rubbed Bronze (US10B) | 12      | BV333622 |
|          | Satin Nickel (US15)       | 12      | BV333621 |
|          | Matte Black (US19)        | 12      | BV333624 |

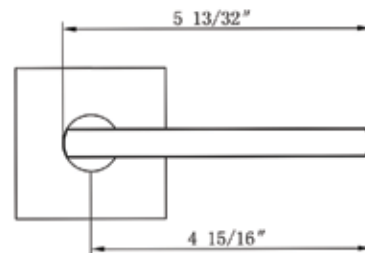
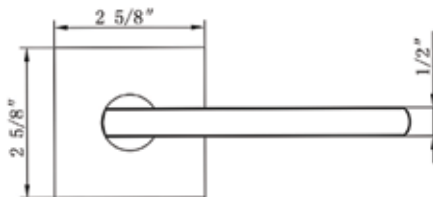
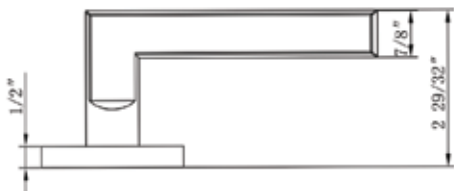


## 333SC TAMPA LEVER

Shown in Satin Nickel  
with Square Trim



| Function | Finish                    | CTN Qty | Item No. |
|----------|---------------------------|---------|----------|
| Passage  | Oil Rubbed Bronze (US10B) | 12      | BV333702 |
|          | Satin Nickel (US15)       | 12      | BV333701 |
|          | Matte Black (US19)        | 12      | BV333704 |
| Privacy  | Oil Rubbed Bronze (US10B) | 12      | BV333712 |
|          | Satin Nickel (US15)       | 12      | BV333711 |
|          | Matte Black (US19)        | 12      | BV333714 |
| Dummy    | Oil Rubbed Bronze (US10B) | 12      | BV333722 |
|          | Satin Nickel (US15)       | 12      | BV333721 |
|          | Matte Black (US19)        | 12      | BV333724 |



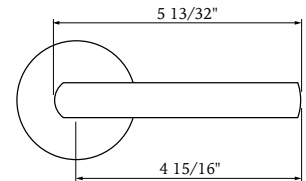
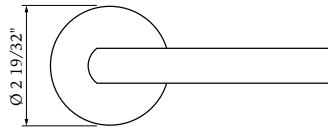
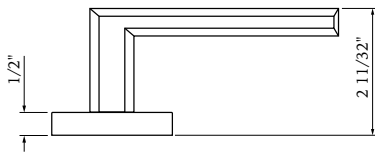
# Bravura KNOBS & LEVERS

## 338RC CARY LEVER

Shown in Satin Nickel  
with Round Trim



| Function | Finish                    | CTN Qty | Item No. |
|----------|---------------------------|---------|----------|
| Passage  | Oil Rubbed Bronze (US10B) | 12      | BV338602 |
|          | Satin Nickel (US15)       | 12      | BV338601 |
|          | Polished Nickel (US14)    | 12      | BV338603 |
| Privacy  | Oil Rubbed Bronze (US10B) | 12      | BV338612 |
|          | Satin Nickel (US15)       | 12      | BV338611 |
|          | Polished Nickel (US14)    | 12      | BV338613 |
| Dummy    | Oil Rubbed Bronze (US10B) | 12      | BV338622 |
|          | Satin Nickel (US15)       | 12      | BV338621 |
|          | Polished Nickel (US14)    | 12      | BV338623 |

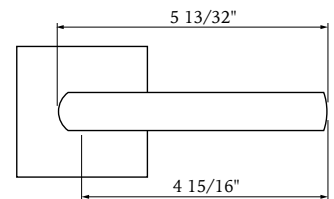
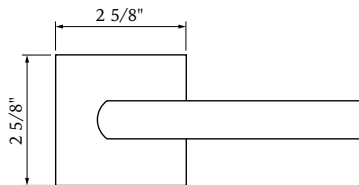
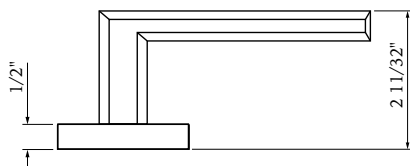


## 338SC FAYETTEVILLE LEVER

Shown in Satin Nickel  
with Square Trim



| Function | Finish                    | CTN Qty | Item No. |
|----------|---------------------------|---------|----------|
| Passage  | Oil Rubbed Bronze (US10B) | 12      | BV333002 |
|          | Satin Nickel (US15)       | 12      | BV333001 |
|          | Matte Black (US19)        | 12      | BV333004 |
| Privacy  | Oil Rubbed Bronze (US10B) | 12      | BV333012 |
|          | Satin Nickel (US15)       | 12      | BV333011 |
|          | Matte Black (US19)        | 12      | BV333014 |
| Dummy    | Oil Rubbed Bronze (US10B) | 12      | BV333022 |
|          | Satin Nickel (US15)       | 12      | BV333021 |
|          | Matte Black (US19)        | 12      | BV333024 |



# ELITE SERIES DEADBOLTS

## 310B ELITE DEADBOLT

Shown in Satin Nickel



| Cylinder        | Finish                    | Item No. |
|-----------------|---------------------------|----------|
| Single Deadbolt | Satin Nickel (US15)       | BV310001 |
| Single Deadbolt | Oil Rubbed Bronze (US10B) | BV310002 |
| Single Deadbolt | Matte Black (US19)        | BV310004 |

## 310RC ELITE DEADBOLT

Shown in Satin Nickel



| Cylinder        | Finish                    | Item No. |
|-----------------|---------------------------|----------|
| Single Deadbolt | Satin Nickel (US15)       | BV310601 |
| Single Deadbolt | Oil Rubbed Bronze (US10B) | BV310602 |
| Single Deadbolt | Matte Black (US19)        | BV310604 |

## 310SC ELITE DEADBOLT

Shown in Satin Nickel



| Cylinder        | Finish                    | Item No. |
|-----------------|---------------------------|----------|
| Single Deadbolt | Satin Nickel (US15)       | BV310701 |
| Single Deadbolt | Oil Rubbed Bronze (US10B) | BV310702 |
| Single Deadbolt | Matte Black (US19)        | BV310704 |

# ELECTRONIC LOCKS

## Electronic Deadbolts

KP400

KP300

LP250



KP300 in  
Satin Nickel



|                  |  |                                 |   |
|------------------|--|---------------------------------|---|
| <b>Door Prep</b> | Cross bore: 2-1/8"<br>Edge bore: 1"<br>Latch face: 1" x 2-1/4" | <b>Dimensions</b>               | Interior Unit: 7-1/2" x 2-7/8" x 1-3/4" (H x W x D)<br>Exterior Unit: 5-1/8" x 3-1/8" |
| <b>Backset</b>   | Fits 2-3/8" and 2-3/4"   | <b>Power</b>                    | 6V - 4 AA Batteries, Not Included. (Estimated battery life, 1-year)                   |
| <b>Strike</b>    | 9113 & 9117  | <b>Door Thickness</b>           | 1-3/8" ~ 2"   |
| <b>Throwbolt</b> | 1" for maximum security  | <b>Passcode</b>                 | 4 to 10 digits, Maximum of 6 Passcodes supported                                      |
| <b>Cylinder</b>  | KW1 5-pin cylinder <b>Standard</b> . SC1 optional<br>Packed KD | <b>No. of Remotes Supported</b> | Includes 1 Remote<br>Maximum 5 supported per unit                                     |

## KP400 GRADE 2 ELECTRONIC DEADBOLT

Shown in Matte Black



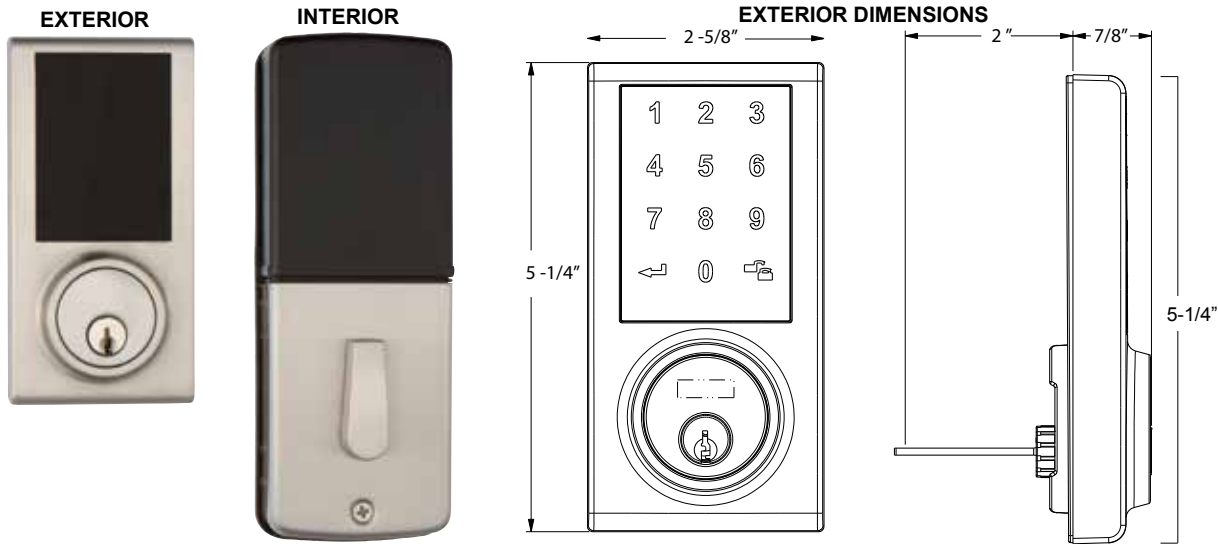
| Model | Function            | WT/CTN | CTN QTY |          | US15<br>Satin Nickel | US19<br>Matte Black |
|-------|---------------------|--------|---------|----------|----------------------|---------------------|
| KP400 | Electronic Deadbolt | 20 lb  | 6 Pcs   | Item No. | 311904               | 311909              |

# DELANEY® ELECTRONIC LOCKS

|                  |  |                       |   |
|------------------|--|-----------------------|---|
| <b>Door Prep</b> | Cross bore: 2-1/8"<br>Edge bore: 1"<br>Latch face: 1" x 2-1/4" | <b>Dimensions</b>     | Exterior Unit: 5-1/4" x 2-5/8" x 7/8" (H x W x D)<br>Interior Unit: 7-1/2" x 2-7/8" x 1-1/16" |
|                  |  | <b>Door Thickness</b> | 1-3/8" ~ 2" door  |
| <b>Backset</b>   | Fits 2-3/8" and 2-3/4", Adjustable                             | <b>Power</b>          | 6V (4 AA batteries required. Estimated battery life, 1-year)                                  |
| <b>Strike</b>    | 9118R & 9117   | <b>Entry Methods</b>  | Touchscreen & Conventional Key  |
| <b>Throwbolt</b> | 1" for maximum security  | <b>Passcode</b>       | Maximum of 30 User Passcodes &<br>1 Master code supported                                     |
| <b>Cylinder</b>  | KW1 5-pin standard. SC1 5-pin optional. Packed KD.             |                       |   |

## KP300 ELECTRONIC TOUCHPAD DEADBOLT

Shown in Satin Nickel



| Model | Function            | WT/<br>CTN | CTN<br>QTY |          | US15<br>Satin Nickel | US26<br>Bright Chrome | US19<br>Matte Black | US12P<br>Tuscany Bronze |
|-------|---------------------|------------|------------|----------|----------------------|-----------------------|---------------------|-------------------------|
| KP300 | Electronic Deadbolt | 19 lb      | 12 Pcs     | Item No. | 301671               | 301676                | 301679              | 301677                  |

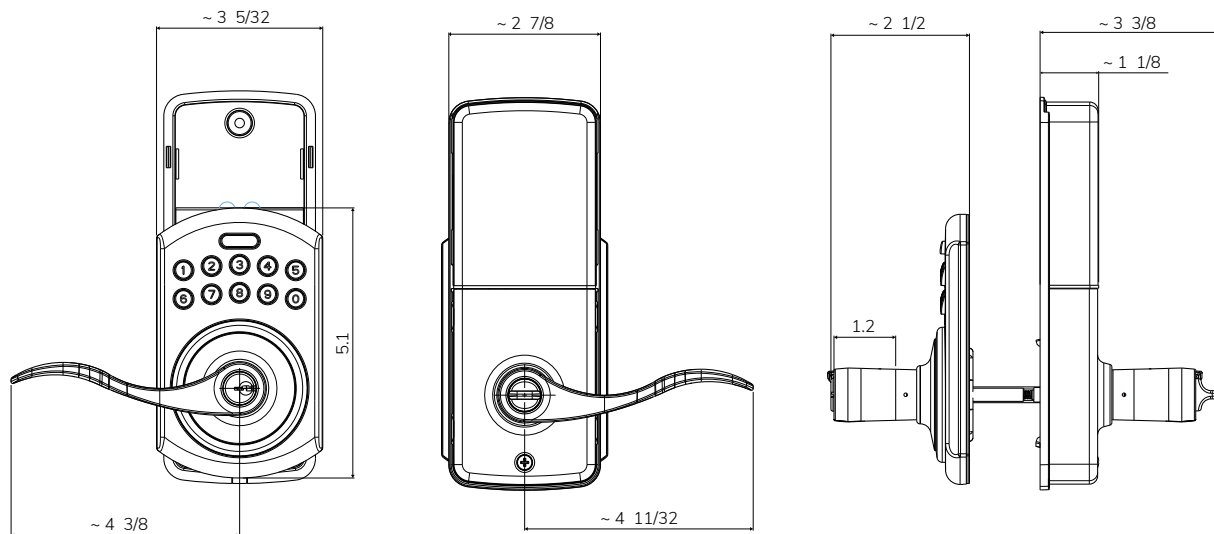


# DELANEY® ELECTRONIC LOCKS

|                  |  |                       |   |
|------------------|--|-----------------------|---|
| <b>Door Prep</b> | Cross bore: 2-1/8"<br>Edge bore: 1"<br>Latch face: 1" x 2-1/4" | <b>Dimensions</b>     | Interior Unit: 7-1/2" x 2-7/8" x 1-3/4" (H x W x D)<br>Exterior Unit: 5-1/8" x 3-1/8" |
| <b>Backset</b>   | Fits 2-3/8" and 2-3/4"   | <b>Power</b>          | 6V - 4 AA Batteries, Not Included. (Estimated battery life, 1-year)                   |
| <b>Strike</b>    | 9103   | <b>Door Thickness</b> | 1-3/8" ~ 2" door  |
| <b>Throwbolt</b> | 1/2"   | <b>Passcode</b>       | 4 to ten digits, Maximum of 6 Passcodes supported                                     |
| <b>Cylinder</b>  | KW1 5-pin cylinder <b>Standard</b> . SC1 optional<br>Packed KD | <b>Feature</b>        | Panic Proof<br>Reversible   |

## LP250 ELECTRONIC KEYPAD LEVERLOCK

Shown in Tuscany Bronze



| Model | Function                             | WT/CTN | CTN QTY | Item No. | US12P<br>Tuscany Bronze |
|-------|--------------------------------------|--------|---------|----------|-------------------------|
| LP250 | Electronic Deadbolt<br>w/Logan Lever | 20 lb  | 6 Pcs   |          | 311805                  |

# BARN DOOR HARDWARE

5000 Series  
in Matte Black

## Flat Track Kits

1000 Series

3000 Series

5000 Series

## Handles and Pulls

## Accessories

Add a distinctive, stylish upgrade to your home while optimizing space with barn doors. Our Barn door hardware is available in a variety of styles and quality finishes with smooth, quiet wheels and durability to hold up to 330 lb.

# DELANEY® FLAT TRACK

## Each Flat Split Track Series Includes:

- Two Hangers with Quiet Bearing Wheels
- Steel Split Tracks (Pre-drilled)
- Standoffs and Lag Bolts (6'- 5ct bolts and 8'- 5ct bolts)
- Two Door Stops
- One Door T-Guide
- Anti-Jump Discs
- Bolts, Nuts, and Washers

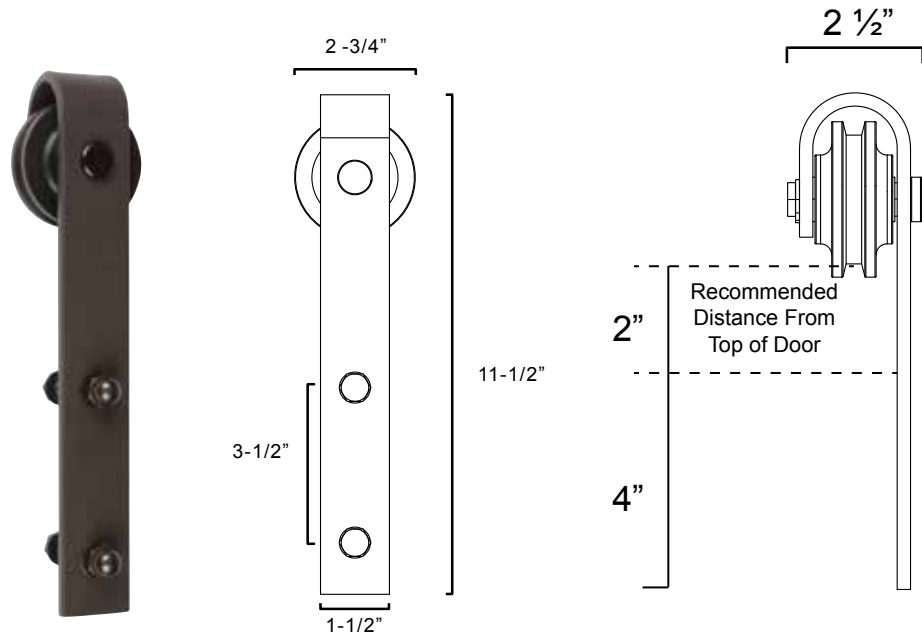
## Each Flat Track Series Includes:

- Two Hangers with Quiet Bearing Wheels
- Steel Track (Pre-drilled)
- Standoffs and Lag Bolts (6'- 5ct bolts and 8'- 5ct bolts)
- Two Door Stops
- One Door T-Guide
- Anti-Jump Discs
- Bolts, Nuts, and Washers

## 1000 SERIES

### Standard

Shown in Matte Black



### Weight Limit:

330 lb per set

| Description  | WT/<br>CTN | CTN<br>QTY |          | US10B<br>Oil Rubbed<br>Bronze | US15<br>Satin Nickel | US19<br>Matte Black | US32D<br>Satin<br>Stainless<br>Steel |
|--|------------|------------|----------|-------------------------------|----------------------|---------------------|--------------------------------------|
| 1000 Series 5ft Barn Door Hardware (Split Track)         | 16 lb      | 1          | Item No. | —                             | —                    | BD1054S             | —                                    |
| 1000 Series 6ft Barn Door Hardware (Split Track)         | 16 lb      | 1          | Item No. | BD1069S                       | BD1062S              | BD1064S             | BD1061S                              |
| 1000 Series 6ft, 5 inch Barn Door Hardware (Split Track) | 16 lb      | 1          | Item No. | —                             | —                    | BD1664S             | —                                    |
| 1000 Series 8ft, Barn Door Hardware (Split Track)        | 18 lb      | 1          | Item No. | BD1089S                       | BD1082S              | BD1084S             | —                                    |

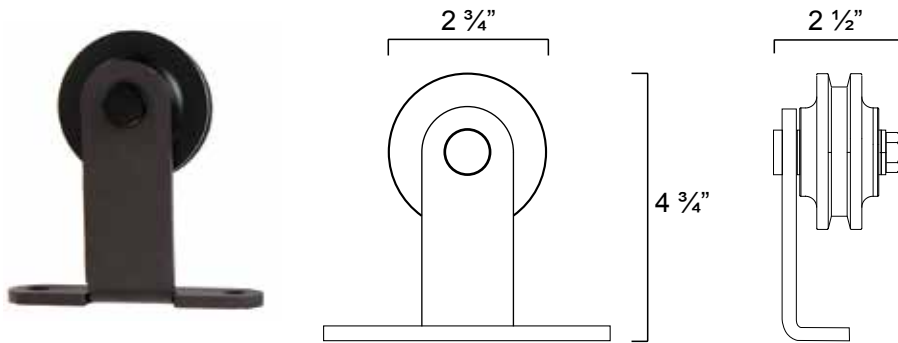
| Description   | WT/<br>CTN | CTN<br>QTY |          | US10B<br>Oil Rubbed<br>Bronze | US15<br>Satin Nickel | US19<br>Matte Black | US32D<br>Satin<br>Stainless<br>Steel |
|---|------------|------------|----------|-------------------------------|----------------------|---------------------|--------------------------------------|
| 1000 Series 5ft Barn Door Hardware (Standard)         | 16 lb      | 1          | Item No. | —                             | —                    | BD1054*             | —                                    |
| 1000 Series 6ft Barn Door Hardware (Standard)         | 16 lb      | 1          | Item No. | BD1069*                       | BD1062*              | BD1064*             | BD1061*                              |
| 1000 Series 6ft, 5 inch Barn Door Hardware (Standard) | 16 lb      | 1          | Item No. | —                             | —                    | BD1664*             | —                                    |
| 1000 Series 8ft, Barn Door Hardware (Standard)        | 18 lb      | 1          | Item No. | BD1089*                       | BD1082*              | BD1084*             | —                                    |

\*Special Order Product. Call Customer Service at 800-952-4430

# DELANEY® FLAT TRACK

## 3000 SERIES Top Mount

Shown in Matte Black



**Weight Limit:**  
260 lb per set

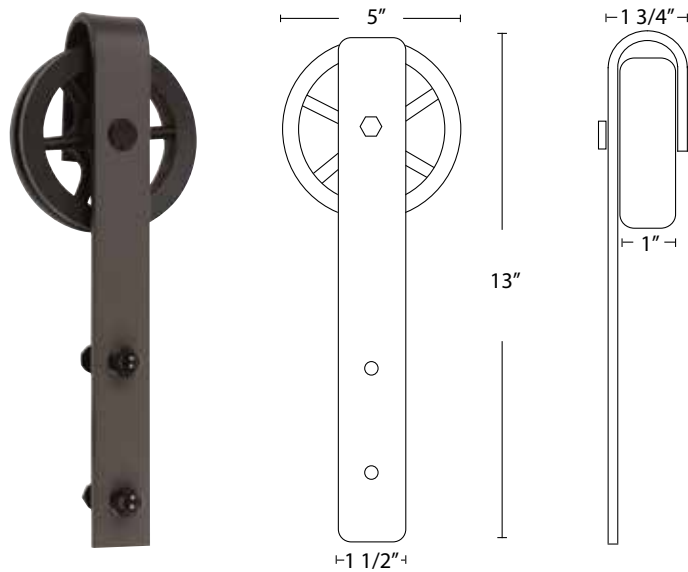
| Description   | WT/CTN | CTN QTY | US19 Matte Black |
|---|--------|---------|------------------|
| 3000 Series 6ft Barn Door Hardware (Low Profile Top Mount w/ Split Track) | 15 lb  | 1       | Item No. BD3064S |

| Description   | WT/CTN | CTN QTY | US19 Matte Black |
|---|--------|---------|------------------|
| 3000 Series 6ft Barn Door Hardware (Low Profile Top Mount Standard) | 15 lb  | 1       | Item No. BD3064* |

\*Special Order Product. Call Customer Service at 800-952-4430

## 5000 SERIES Wagon Wheel

Shown in Matte Black



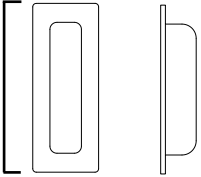
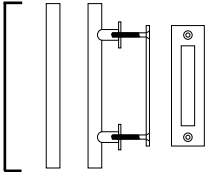
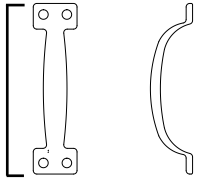
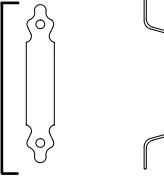
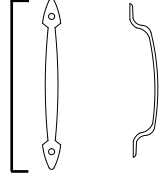
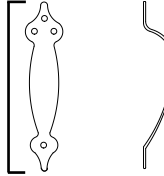
**Weight Limit:**  
330 lb per set

| Description   | WT/CTN | CTN QTY | US19 Matte Black |
|---|--------|---------|------------------|
| 5000 Series 6ft Barn Door Hardware (Wagon Wheel w/ Split Track) | 18 lb  | 1       | Item No. BD5064S |

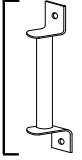
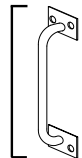
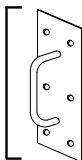

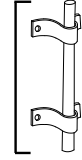
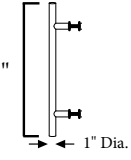
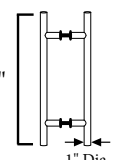
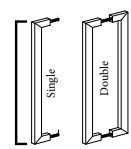
| Description   | WT/CTN | CTN QTY | US19 Matte Black |
|---|--------|---------|------------------|
| 5000 Series 6ft Barn Door Hardware (Wagon Wheel Standard) | 18 lb  | 1       | Item No. BD5064* |

\*Special Order Product. Call Customer Service at 800-952-4430



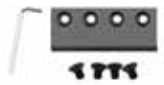


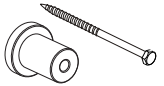

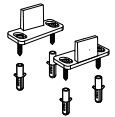

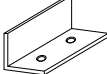

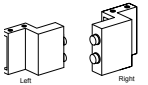
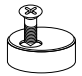
## BARN DOOR HANDLES

|      | Description   | Finish   | Item No. | CTN QTY | WT/ CTN |        |
|------|---|--|----------|---------|---------|--------|
| 4¾"  |    | Barn Door Finger Pull - Flush                          | US19     | BD0164  | 1       | 1 lb   |
|      |   | Barn Door Finger Pull - Flush                          | US15     | BD0161  | 1       | 1 lb   |
|      |   | Barn Door Finger Pull - Flush                          | US10B    | BD0169  | 1       | 1 lb   |
| 12"  |    | Barn Door Combo Pull Handle - (Round with Flush Mount) | US19     | BD0804  | 1       | 2.6 lb |
| 6½"  |    | Barn Door Pull Handle - Square                         | US19     | BD0124  | 1       | 1 lb   |
|      |   | Barn Door Pull Handle - Square                         | US10B    | BD0129  | 1       | 1 lb   |
| 7"   |   | Barn Door Pull Handle - Clover                         | US19     | BD0134  | 1       | 1 lb   |
| 7½"  |  | Barn Door Pull Handle - Spade                          | US15     | BD0141  | 1       | 1 lb   |
| 10¼" |  | Barn Door Pull Handle - Spade                          | US19     | BD0144  | 1       | 1 lb   |

## BARN DOOR HANDLES

|   | Description   | Finish | Item No. | CTN QTY | WT/CTN |
|---|---|--------|----------|---------|--------|
|    | Barn Door Pull Handle - Round 002   | US19   | BD0024   | 1       | 1 lb   |
|    | Barn Door Pull Handle - Round 036   | US19   | BD0364   | 1       | 1 lb   |
|   | Barn Door Pull Handle - Round 036   | US10B  | BD0369   | 1       | 1 lb   |
|   | Barn Door Pull Handle - Round 036   | US15   | BD0361   | 1       | 1 lb   |
|    | Barn Door Pull Handle - Round Handle with Plate<br>(Handle Length 2-1/2", width 3-1/8") | US19   | BD0034   | 1       | 1 lb   |
|   | Barn Door Pull Handle - Flat Square   | US19   | BD0044   | 1       | 1 lb   |
|   | Barn Door Pull Handle - Flat Square   | US10B  | BD0049   | 1       | 1 lb   |
|   | Barn Door Pull Handle - Flat Square   | US15   | BD0041   | 1       | 1 lb   |
|  | Barn Door Pull Handle - Tubular 026   | US19   | BD0264   | 1       | 1 lb   |
|   | Barn Door Pull Handle - Tubular 026   | US10B  | BD0269   | 1       | 1 lb   |
|  | Barn Door Pull Handle - Single-Sided Round  | US19   | BD0174   | 1       | 1 lb   |
|   | Barn Door Pull Handle - Single-Sided Round  | US10B  | BD0159   | 1       | 1 lb   |
|   | Barn Door Pull Handle - Single-Sided Round  | US15   | BD0151   | 1       | 1 lb   |
|  | Barn Door Pull Handle - Double-Sided Round  | US19   | BD0464   | 1       | 3 lb   |
|   | Barn Door Pull Handle - Double-Sided Round  | US10B  | BD0469   | 1       | 3 lb   |
|   | Barn Door Pull Handle - Double-Sided Round  | US15   | BD0461   | 1       | 3 lb   |
|  | Barn Door Pull Handle - 17" Single-Sided Square   | US19   | BD0604   | 1       | 2 lb   |
|   | Barn Door Pull Handle - 17" Single-Sided Square   | US15   | BD0601   | 1       | 2 lb   |
|   | Barn Door Pull Handle - 17" Double-Sided Square   | US19   | BD0664   | 1       | 3 lb   |

## FLAT TRACK KIT COMPONENTS

|   | Description   | Finish | Item No. | CTN / QTY |
|---|---|--------|----------|-----------|
|    | 1000 Series Hanger Only w/ Mounting Screws                    | US19   | BD1004   | 1         |
|   | 1000 Series Hanger Only w/ Mounting Screws                    | US10B  | BD1009   | 1         |
|    | Barn Door Flat Track Dual Soft Closer (All series)*Pair       | US19   | BD0001A  | 1         |
|    | Barn Door Flat Track Connector Plate (All Series)             | US19   | BD0003   | 1         |
|   | Barn Door Flat Track Connector Plate (All Series)             | US10B  | BD0002   | 1         |
|   | Barn Door Flat Track Connector Plate (All Series)             | US15   | BD0063   | 1         |
|    | Barn Door ByPass Track Connector Bracket                      | US19   | BD0054   | 1         |
|   | Barn Door Tear Drop Privacy Lock - 2 3/16" tall, 1 5/16" wide | US19   | BD0504   | 1         |
|  | Barn Door Lag Bolt & Spacer- 1 3/8", Standard                 | BS     | BD0061   | 1         |
|   | Barn Door Lag Bolt & Spacer- 1 3/8", Standard                 | BLK    | BD0064   | 1         |
|   | Barn Door Lag Bolt & Spacer- 1 3/8", Standard                 | ORB    | BD0069   | 1         |
|  | Barn Door Lag Bolt and Spacer - 2" Extended (each)            | US19   | BD0017   | 1         |
|  | Barn Door Double Floor Guide                                  | US19   | BD0005   | 1         |
|  | Barn Door Wall Mount Guide                                    | US19   | BD0104   | 1         |
|  | Barn Door L Guide - 7/8" tall, 7/8" wide, 1/2" thick, 2" long | US19   | BD0004   | 1         |
|  | Barn Door T Guide   | US19   | BD0015   | 1         |
|  | Barn Door Flat Track Stops (Pair)                             | US19   | BD0006   | 1         |
|  | Barn Door Anti-Jump Disc (Pair)                               | US19   | BD0010   | 1         |



# BATH HARDWARE

900 Series-Acadia  
Shown in Satin Brass

## **Bath Series**

1100 Series-Denali  
900 Series-Acadia  
800 Series-Shenandoah  
700 Series-Sequoia  
600 Series-Everglade  
500 Series-Yellowstone  
400 Series-Yosemite  
300 Series-Cascade  
200 Series-Congaree

## **Bath Accessories**

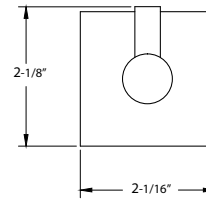
Medicine Cabinets  
Shower Rods  
Grab Bars



## 1100 SERIES-DENALI SQUARE CONTEMPORARY

Shown in Satin Nickel

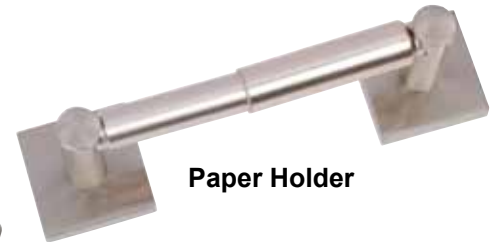
Trim Size:



Towel Ring



Euro Paper Holder



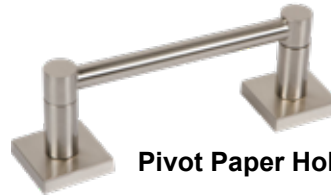
Paper Holder



Towel Bar Set



Single Robe Hook



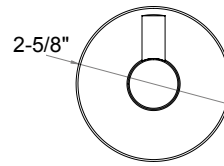
Pivot Paper Holder

| DESCRIPTION                               | WT/LB | CT/<br>QTY |          | US26<br>Bright Chrome | US15<br>Satin Nickel | US4<br>Satin Brass | US19<br>Matte Black | US12P<br>Tuscany<br>Bronze |
|---|-------|------------|----------|-----------------------|----------------------|--------------------|---------------------|----------------------------|
| Paper Holder<br>(Metallic Plastic Roller) | 48 lb | 50<br>Pcs  | Item No. | 510006                | 510008               | 510000             | 510004              | 510002                     |
| Euro Paper Holder                         | 40 lb | 50<br>Pcs  | Item No. | 510106                | 510108               | 510100             | 510104              | 510102                     |
| Towel Ring                                | 37 lb | 50<br>Pcs  | Item No. | 510506                | 510508               | 510500             | 510504              | 510502                     |
| Pivot Paper Holder                        | 37 lb | 50<br>Pcs  | Item     | —                     | —                    | 510400             | 510404              | —                          |
| Single Robe Hook                          | 20 lb | 50<br>Pcs  | Item No. | 510606                | 510608               | 510600             | 510604              | 510602                     |
| 18" Towel Bar Set                         | 64 lb | 50<br>Pcs  | Item No. | 511186K               | 511188K              | 511180K            | 511184K             | 511182K                    |
| 24" Towel Bar Set                         | 42 lb | 50<br>Pcs  | Item No. | 511246K               | 511248K              | 511240K            | 511244K             | 511242K                    |
| Towel Bar Post Only                       | 42 lb | 50<br>Pcs  | Item No. | 512006                | 512008               | 512000             | 512004              | 512002                     |
| 5/8" Diameter 18" Towel<br>Bar Only       | 18 lb | 50<br>Pcs  | Item No. | 580186                | 580188               | 580180             | 580184              | 580182                     |
| 5/8" Diameter 24" Towel<br>Bar Only       | 22 lb | 50<br>Pcs  | Item No. | 580246                | 580248               | 580240             | 580244              | 580242                     |

## 900 SERIES-ACADIA ROUND CONTEMPORARY

Shown in Satin Nickel

Trim Size:



Towel Ring



Euro Paper Holder



Paper Holder



Towel Bar Set



Single Robe Hook



Pivot Paper Holder



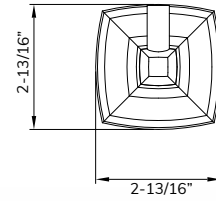
Rod Paper Holder

| DESCRIPTION                               | WT/<br>LB | CT/QTY |          | US26<br>Bright Chrome | US15<br>Satin Nickel | US4<br>Satin Brass | US19<br>Matte Black | US12P<br>Tuscany<br>Bronze |
|---|-----------|--------|----------|-----------------------|----------------------|--------------------|---------------------|----------------------------|
| Paper Holder<br>(Metallic Plastic Roller) | 48 lb     | 50 Pcs | Item No. | 598006                | 598008               | 598000             | 598004              | 598002                     |
| Euro Paper Holder                         | 40 lb     | 50 Pcs | Item No. | 598106                | 598108               | 598100             | 598104              | 598102                     |
| Rod Paper Holder                          | 48 lb     | 50 Pcs | Item No. | 598706                | 598708               | —                  | 598704              | —                          |
| Pivot Paper Holder                        | 48 lb     | 50 Pcs | Item No. | 598406                | 598408               | 598400             | 598404              | 598402                     |
| Towel Ring                                | 37 lb     | 50 Pcs | Item No. | 598506                | 598508               | 598500             | 598504              | 598502                     |
| Single Robe Hook                          | 20 lb     | 50 Pcs | Item No. | 598606                | 598608               | 598600             | 598604              | 598602                     |
| 26" Towel Bar Set                         | 42 lb     | 50 Pcs | Item No. | 598246                | 598248               | 598240             | 598244              | 598242                     |
| 34" Towel Bar Set                         | 64 lb     | 50 Pcs | Item No. | 598306                | 598308               | 598300             | 598304              | 598302                     |

## 800 SERIES-SHENANDOAH

Shown in Satin Nickel

Trim Size:



Towel Ring



Euro Paper Holder



Paper Holder



Towel Bar Set



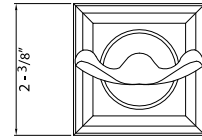
Single Robe Hook

| DESCRIPTION                      | WT/<br>LB | CT/QTY |          | US26<br>Bright Chrome | US15<br>Satin Nickel | US12P<br>Tuscany Bronze |
|----------------------------------|-----------|--------|----------|-----------------------|----------------------|-------------------------|
| Paper Holder (Metal Roller)      | 48 lb     | 50 Pcs | Item No. | 588006                | 588008               | 588002                  |
| Euro Paper Holder                | 40 lb     | 50 Pcs | Item No. | 588106                | 588108               | 588102                  |
| Towel Ring                       | 37 lb     | 50 Pcs | Item No. | 588506                | 588508               | 588502                  |
| Single Robe Hook                 | 20 lb     | 50 Pcs | Item No. | 588606                | 588608               | 588602                  |
| 18" Towel Bar Set                | 62 lb     | 50 Pcs | Item No. | 588186K               | 588188K              | 588182K                 |
| 24" Towel Bar Set                | 64 lb     | 50 Pcs | Item No. | 588246K               | 588248K              | 588242K                 |
| Towel Bar Post Only              | 42 lb     | 50 Pcs | Item No. | 588206                | 588208               | 588202                  |
| 3/4" Diameter 18" Towel Bar Only | 18 lb     | 50 Pcs | Item No. | 540186                | 540188               | 540182                  |
| 3/4" Diameter 24" Towel Bar Only | 22 lb     | 50 Pcs | Item No. | 540246                | 540248               | 540242                  |

## 700 SERIES-SEQUOIA

Shown in Satin Nickel

Trim Size:



Towel Ring



Euro Paper Holder



Paper Holder



Towel Bar Set



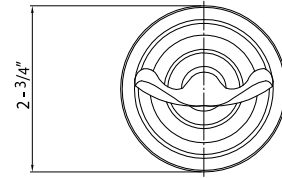
Double Robe Hook

| DESCRIPTION                      | WT/<br>LB | CT/QTY |          | US26<br>Bright<br>Chrome | US15<br>Satin Nickel | US19<br>Matte Black | US12P<br>Tuscany<br>Bronze |
|----------------------------------|-----------|--------|----------|--------------------------|----------------------|---------------------|----------------------------|
| Paper Holder (Metal Roller)      | 48 lb     | 50 Pcs | Item No. | 520006                   | 520008               | 520004              | 520002                     |
| Euro Paper Holder                | 40 lb     | 50 Pcs | Item No. | 520106                   | 520108               | 520104              | 520102                     |
| Towel Ring                       | 37 lb     | 50 Pcs | Item No. | 520506                   | 520508               | 520504              | 520502                     |
| Double Robe Hook                 | 20 lb     | 50 Pcs | Item No. | 520606                   | 520608               | 520604              | 520602                     |
| 18" Towel Bar Set                | 59 lb     | 50 Pcs | Item No. | 521186K                  | 521188K              | 521184K             | 521182K                    |
| 24" Towel Bar Set                | 64 lb     | 50 Pcs | Item No. | 521246K                  | 521248K              | 521244K             | 521242K                    |
| Towel Bar Post Only              | 42 lb     | 50 Pcs | Item No. | 522006                   | 522008               | 522004              | 522002                     |
| 5/8" Diameter 18" Towel Bar Only | 18 lb     | 50 Pcs | Item No. | 580186                   | 580188               | 580184              | 580182                     |
| 5/8" Diameter 24" Towel Bar Only | 22 lb     | 50 Pcs | Item No. | 580246                   | 580248               | 580244              | 580242                     |

## 600 SERIES-EVERGLADE

Shown in Satin Nickel

Trim Size:



Towel Ring



Euro Paper Holder



Paper Holder



Towel Bar Set



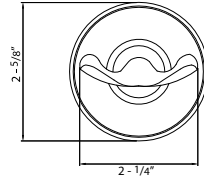
Double Robe Hook

| DESCRIPTION                      | WT/<br>LB | CT/<br>QTY |          | US26<br>Bright Chrome | US15<br>Satin Nickel | US12P<br>Tuscany Bronze |
|----------------------------------|-----------|------------|----------|-----------------------|----------------------|-------------------------|
| Paper Holder (Metal Roller)      | 48 lb     | 50 Pcs     | Item No. | 550006                | 550008               | 550002                  |
| Euro Paper Holder                | 40 lb     | 50 Pcs     | Item No. | 550106                | 550108               | 550102                  |
| Towel Ring                       | 37 lb     | 50 Pcs     | Item No. | 550506                | 550508               | 550502                  |
| Double Robe Hook                 | 20 lb     | 50 Pcs     | Item No. | 550606                | 550608               | 550602                  |
| 18" Towel Bar Set                | 59 lb     | 50 Pcs     | Item No. | 551186K               | 551188K              | 551182K                 |
| 24" Towel Bar Set                | 64 lb     | 50 Pcs     | Item No. | 551246K               | 551248K              | 551242K                 |
| Towel Bar Post Only              | 42 lb     | 50 Pcs     | Item No. | 552006                | 552008               | 552002                  |
| 3/4" Diameter 18" Towel Bar Only | 18 lb     | 50 Pcs     | Item No. | 540186                | 540188               | 540182                  |
| 3/4" Diameter 24" Towel Bar Only | 22 lb     | 50 Pcs     | Item No. | 540246                | 540248               | 540242                  |
| 3/4" Diameter 30" Towel Bar Only | 22 lb     | 50 Pcs     | Item No. | 540306                | 540308               | 540302                  |

## 500 SERIES-YELLOWSTONE

Shown in Satin Nickel

Trim Size:



Towel Ring



Euro Paper Holder



Paper Holder



Towel Bar Set



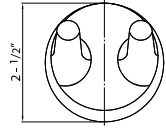
Double Robe Hook

| DESCRIPTION                      | WT/<br>LB | CT/<br>QTY |          | US26<br>Bright<br>Chrome | US15<br>Satin Nickel | US4<br>Satin Brass | US19<br>Matte Black | US12P<br>Tuscany<br>Bronze |
|----------------------------------|-----------|------------|----------|--------------------------|----------------------|--------------------|---------------------|----------------------------|
| Paper Holder (Metal Roller)      | 33 lb     | 50 Pcs     | Item No. | 590006                   | 590008               | 590000             | 590004              | 590002                     |
| Euro Paper Holder                | 31 lb     | 50 Pcs     | Item No. | 590106                   | 590108               | 590100             | 590104              | 590102                     |
| Towel Ring                       | 24 lb     | 50 Pcs     | Item No. | 590506                   | 590508               | 590500             | 590504              | 590502                     |
| Double Robe Hook                 | 18 lb     | 50 Pcs     | Item No. | 590606                   | 590608               | 590600             | 590604              | 590602                     |
| 18" Towel Bar Set                | 42 lb     | 50 Pcs     | Item No. | 591186K                  | 591188K              | 591180K            | 591184K             | 591182K                    |
| 24" Towel Bar Set                | 46 lb     | 50 Pcs     | Item No. | 591246K                  | 591248K              | 591240K            | 591244K             | 591242K                    |
| Towel Bar Post Only              | 29 lb     | 50 Pcs     | Item No. | 592006                   | 592008               | 592000             | 592004              | 592002                     |
| 3/4" Diameter 18" Towel Bar Only | 13 lb     | 50 Pcs     | Item No. | 540186                   | 540188               | 540180             | 540184              | 540182                     |
| 3/4" Diameter 24" Towel Bar Only | 18 lb     | 50 Pcs     | Item No. | 540246                   | 540248               | 540240             | 540244              | 540242                     |
| 3/4" Diameter 30" Towel Bar Only | 22 lb     | 50 Pcs     | Item No. | 540306                   | 540308               | —                  | —                   | 540302                     |

## 400 SERIES-YOSEMITE

Shown in Satin Nickel

Trim Size:



Towel Ring



Euro Paper Holder



Paper Holder



Towel Bar Set



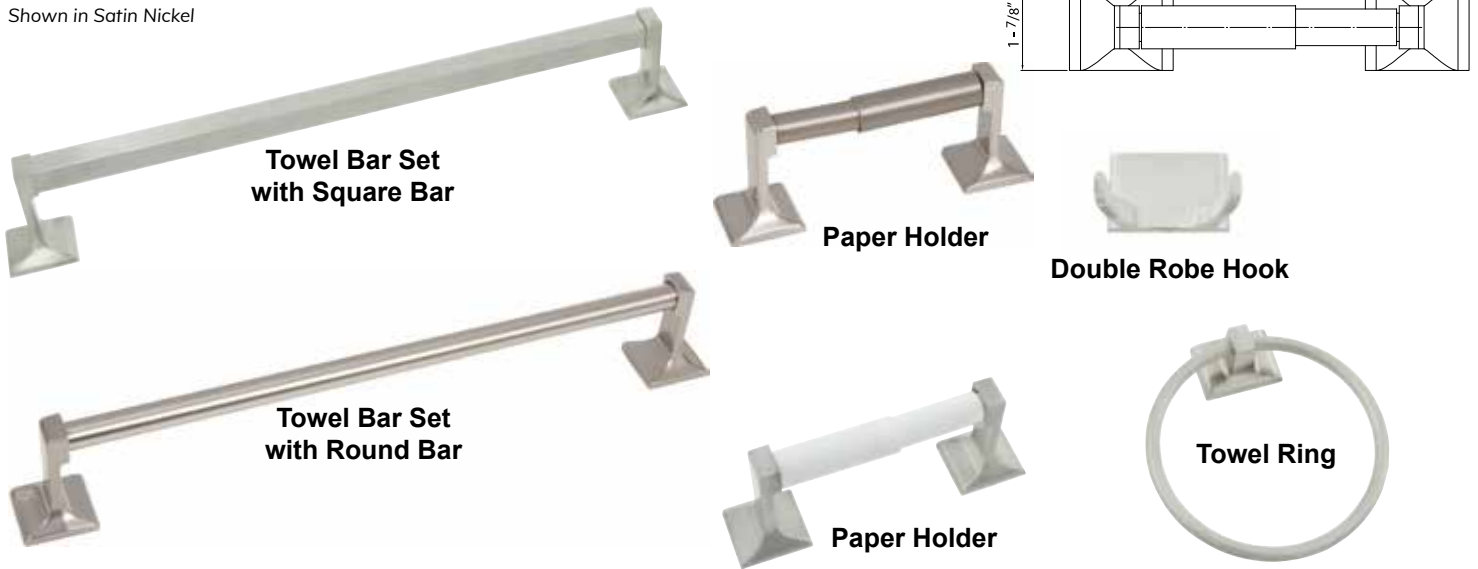
Double Robe Hook

| DESCRIPTION                               | WT/<br>LB | CT/<br>QTY |          | US26<br>Bright Chrome | US15<br>Satin Nickel | US12P<br>Tuscany Bronze |
|---|-----------|------------|----------|-----------------------|----------------------|-------------------------|
| Paper Holder<br>(Metallic Plastic Roller) | 33 lb     | 50 Pcs     | Item No. | 580006                | 580008               | 580002                  |
| Euro Paper Holder                         | 31 lb     | 50 Pcs     | Item No. | 580106                | 580108               | 580102                  |
| Towel Ring                                | 24 lb     | 50 Pcs     | Item No. | 580506                | 580508               | 580502                  |
| Double Robe Hook                          | 18 lb     | 50 Pcs     | Item No. | 580606                | 580608               | 580602                  |
| 18" Towel Bar Set                         | 40 lb     | 50 Pcs     | Item No. | 581186K               | 581188K              | 581182K                 |
| 24" Towel Bar Set                         | 46 lb     | 50 Pcs     | Item No. | 581246K               | 581248K              | 581242K                 |
| Towel Bar Post Only                       | 29 lb     | 50 Pcs     | Item No. | 582006                | 582008               | 582002                  |
| 3/4" Diameter 18" Towel Bar Only          | 13 lb     | 50 Pcs     | Item No. | 540186                | 540188               | 540182                  |
| 3/4" Diameter 24" Towel Bar Only          | 18 lb     | 50 Pcs     | Item No. | 540246                | 540248               | 540242                  |
| 3/4" Diameter 30" Towel Bar Only          | 22 lb     | 50 Pcs     | Item No. | 540306                | 540308               | 540302                  |



## 300 SERIES-CASCADE

Shown in Satin Nickel



| DESCRIPTION                            | WT/LB | CT/QTY | Item No. | US26          | US15         |
|--|-------|--------|----------|---------------|--------------|
|  |       |        |          | Bright Chrome | Satin Nickel |
| Paper Holder (White Plastic Roller)    | 29 lb | 50 Pcs | Item No. | 502001B       | 502801B      |
| Paper Holder (Metallic Plastic Roller) | 29 lb | 50 Pcs | Item No. | 502002B       | 502802B      |
| Double Robe Hook                       | 18 lb | 50 Pcs | Item No. | 502012B       | 502812B      |
| Towel Ring                             | 12 lb | 50 Pcs | Item No. | 502022B       | 502822B      |
| 18" Towel Bar Set (Square)             | 32 lb | 50 Pcs | Item No. | 572018BK      | 572818BK     |
| 24" Towel Bar Set (Square)             | 36 lb | 50 Pcs | Item No. | 572024BK      | 572824BK     |
| Towel Bar Post Only (Square)           | 25 lb | 50 Pcs | Item No. | 502100B       | 502800B      |
| 3/4" x 18" Towel Bar Only (Square)     | 8 lb  | 50 Pcs | Item No. | 582118        | 580118       |
| 3/4" x 24" Towel Bar Only (Square)     | 11 lb | 50 Pcs | Item No. | 582124        | 580124       |
| 18" Towel Bar Set (Round)              | 32 lb | 50 Pcs | Item No. | 572018RK      | 572818RK     |
| 24" Towel Bar Set (Round)              | 36 lb | 50 Pcs | Item No. | 572024RK      | 572824RK     |
| Towel Bar Post Only (Round)            | 25 lb | 50 Pcs | Item No. | 502100R       | 502800R      |
| 3/4" x 18" Towel Bar Only (Round)      | 8 lb  | 50 Pcs | Item No. | 540186        | 540188       |
| 3/4" x 24" Towel Bar Only (Round)      | 8 lb  | 50 Pcs | Item No. | 540246        | 540248       |



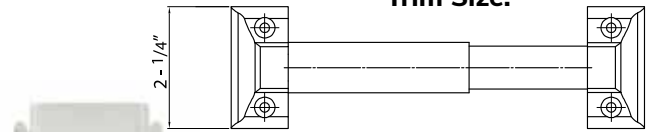
## 200 SERIES-CONGAREE BATHROOM ACCESSORIES

Shown in Bright Chrome



Towel Bar Set

Paper Holder



Trim Size:

Double Robe Hook



Towel Ring

| DESCRIPTION                         | WT/LB | CT/QTY | Item No. | US26 Bright Chrome |
|-------------------------------------|-------|--------|----------|--------------------|
| Paper Holder (White Plastic Roller) | 25 lb | 50 Pcs | Item No. | 501001B            |
| Towel Ring                          | 11 lb | 50 Pcs | Item No. | 501022             |
| 24" Towel Bar Set                   | 26 lb | 50 Pcs | Item No. | 501024K            |
| Towel Bar Post Only                 | 15 lb | 50 Pcs | Item No. | 501100             |
| 3/4" x 18" Towel Bar Only           | 11 lb | 50 Pcs | Item No. | 582118             |
| 3/4" x 24" Towel Bar Only           | 12 lb | 50 Pcs | Item No. | 582124             |

## MEDICINE CABINETS



Framed Medicine Cabinet



Beveled Edge Medicine Cabinet

| Item No. | Description  | SIZE      | CTN QTY | WT/CTN |
|----------|--|-----------|---------|--------|
| 500001   | Satin Satin Stainless Steel Framed Medicine Cabinet                              | 16" x 20" | 1 Pcs   | 9 lb   |
| 500002   | Beveled Edge Mirror Medicine Cabinet   | 16" x 22" | 1 Pcs   | 9 lb   |
|          | ~~SPECIFICATIONS~~<br>- Recessed Mounting -<br>- Rough Opening 13-1/2" x 17-1/2" |           |         |        |

## CURVED SHOWER ROD SET (CONCEALED SCREW FLANGE)

Shown in Matte Black



| Description                                     | Finish | SIZE | Item No. | CTN QTY | WT/CTN |
|---|--------|------|----------|---------|--------|
| Curved Shower Rod Set w/ Concealed Screw Flange | US19   | 5 FT | 504254   | 12      | 14 lb  |
| Curved Shower Rod Set w/ Concealed Screw Flange | US26   | 5 FT | 504156   | 12      | 12 lb  |

## CONSTANT CURVE SHOWER ROD

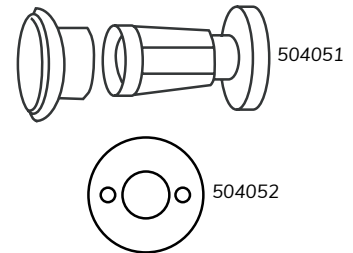
Shown in Bright Chrome



| Description                                  | Finish | SIZE | Item No. | CTN QTY | WT/CTN |
|--|--------|------|----------|---------|--------|
| Constant Curve Shower Rod Set-Satin Nickel   | US15   | 5 FT | 504350   | 12      | 48 lb  |
| Constant Curve Shower Rod Set- Bright Chrome | US26   | 5 FT | 504356   | 12      | 48 lb  |
| Constant Curve Shower Rod Set- Matte Black   | US19   | 5 FT | 504354   | 12      | 48 lb  |

## SHOWER ROD SETS (W/ ADJUSTABLE FLANGES)

Shown in Bright Chrome



| Description                    | Finish | SIZE | Item No. | CTN QTY | WT/CTN |
|--------------------------------|--------|------|----------|---------|--------|
| Shower Rod Set w/ Adj. Flange  | US26   | 5 FT | 504050K  | 50      | 33 lb  |
| Adj. Shower Rod Flange Only    | US26   |      | 504051   | 50      | 6 lb   |
| Exposed Screw Flange Only      | US26   |      | 504052   | 50      | 6 lb   |
| Satin Aluminum Shower Rod Only | US26   | 5 Ft | 504005   | 50      | 27 lb  |
| Satin Aluminum Shower Rod Only | US26   | 6 Ft | 504006   | 50      | 30 lb  |

## STAINLESS GRAB BARS (CONCEALED SCREW FLANGE)

Hospitality & Public Washroom  
Accessories Available  
Please call for additional sizes

 ADA Compliant



| Description  | SIZE | Item No. | CTN QTY | WT/CTN |
|--|------|----------|---------|--------|
| 1-1/2" Satin Satin Stainless Steel Grab Bar Concealed Screw Flange | 18"  | 512018C  | 12      | 23 lb  |
| 1-1/2" Satin Satin Stainless Steel Grab Bar Concealed Screw Flange | 24"  | 512024C  | 12      | 27 lb  |

# TRIM HARDWARE & HINGES

Pocket Door Locks  
Door Knockers & Viewers  
Plates & Pulls  
Exterior Shutter Hardware  
Handrail Brackets  
Surface & Flush Bolts  
Door Stops  
Closet Hardware  
Hinges

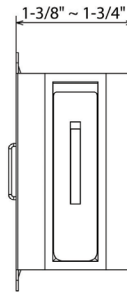
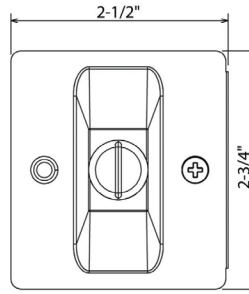


*Contemporary Square Pocket Door Lock  
in Matte Black*

## TRADITIONAL SQUARE SLIDING POCKET DOOR LOCKS

Requires Door Edge Prep

Passage Shown



Privacy Shown

Base Metal: Zinc

| Function | WT/LB | CTN QTY | Item No. | US15 Satin Nickel | US3 Bright Brass | US5 Antique Brass | US26 Bright Chrome | US15A Antique Nickel | US10B Oil Rubbed Bronze | US12P Tuscany Bronze | Matte Black |
|----------|-------|---------|----------|-------------------|------------------|-------------------|--------------------|----------------------|-------------------------|----------------------|-------------|
| Passage  | 5 lb  | 10 Pcs  | Item No. | 270209            | 270203*          | 270205*           | 270206             | 270207*              | 270210                  | 270211               | 270214      |
| Privacy  | 5 lb  | 10 Pcs  | Item No. | 270109            | 270103*          | 270105*           | 270106             | 270107*              | 270110                  | 270111               | 270114      |

\*Special Order Product. Call Customer Service at 800-952-4430

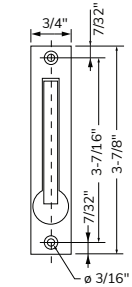
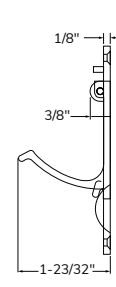
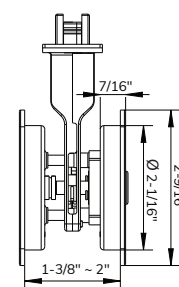
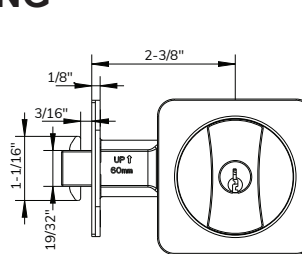
## CONTEMPORARY SQUARE SLIDING POCKET DOOR LOCKS

Requires Standard Door Prep

Includes Privacy Color Indicator



Privacy Shown



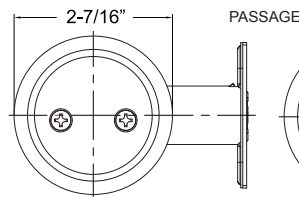
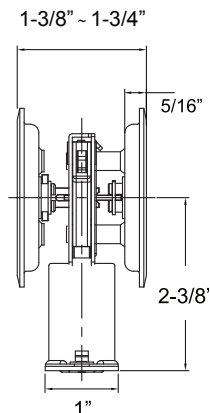
Base Metal: Zinc

| Function | WT/LB | CTN QTY | Item No. | US15 Satin Nickel | US26 Bright Chrome | Matte Black |
|----------|-------|---------|----------|-------------------|--------------------|-------------|
| Entrance | 10 lb | 20 Pcs  | Item No. | 370009            | 370006             | 370004      |
| Passage  | 10 lb | 20 Pcs  | Item No. | 370209            | 370206             | 370204      |
| Privacy  | 10 lb | 20 Pcs  | Item No. | 370109            | 370106             | 370104      |

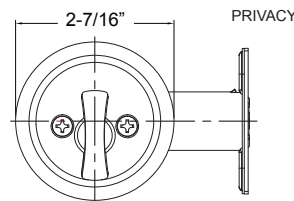
## ROUND SLIDING POCKET DOOR LOCKS

Requires Standard Door Prep

Passage Shown



PASSAGE

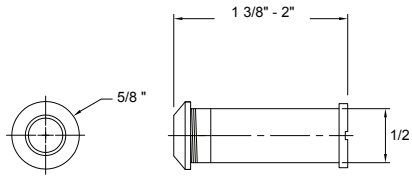


PRIVACY

Base Metal: Zinc

| Function | WT/LB | CTN QTY | Item No. | US15 Satin Nickel | US10B Oil Rubbed Bronze | US26 Bright Chrome | Matte Black |
|----------|-------|---------|----------|-------------------|-------------------------|--------------------|-------------|
| Passage  | 5 lb  | 10 Pcs  | Item No. | 442220            | 442227                  | 442226             | 442224      |
| Privacy  | 5 lb  | 10 Pcs  | Item No. | 442420            | 442427                  | 442426             | 442424      |

## 160° SOLID BRASS VIEWER

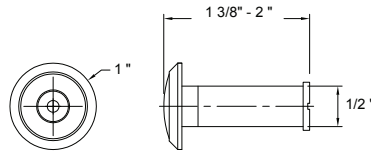


Base Metal: Brass

1/2" Installation Hole

|  | Description             | Finish | Item No. | CTN QTY | WT/ CTN |
|--|-------------------------|--------|----------|---------|---------|
|  | Solid Brass Viewer 160° | US19   | 400129   | 500     | 22 lbs  |
|  | Solid Brass Viewer 160° | US15   | 400139   | 500     | 22 lbs  |

## 180° SOLID BRASS VIEWER

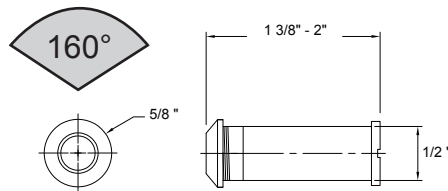


Base Metal: Brass

1/2" Installation Hole

|  | Description             | Finish | Item No. | CTN QTY | WT/ CTN |
|--|-------------------------|--------|----------|---------|---------|
|  | Solid Brass Viewer 180° | US10B  | 400111   | 500     | 22 lbs  |
|  | Solid Brass Viewer 180° | US15   | 400119   | 500     | 22 lbs  |
|  | Solid Brass Viewer 180° | US19   | 400114   | 500     | 22 lbs  |

## UL SOLID BRASS VIEWER



160°

Base Metal: Brass



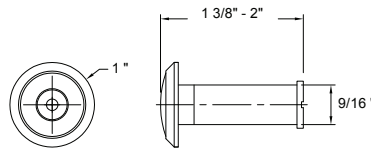
1/2" Installation Hole

1/2" Installation Hole

|  | Description                | Finish | Item No. | CTN QTY | WT/ CTN |
|--|----------------------------|--------|----------|---------|---------|
|  | UL Solid Brass Viewer 160° | US3    | 400115   | 500     | 22 lbs  |
|  | UL Solid Brass Viewer 160° | US10B  | 400001   | 500     | 22 lbs  |
|  | UL Solid Brass Viewer 160° | US15   | 400009   | 500     | 22 lbs  |
|  | UL Solid Brass Viewer 160° | US19   | 400010*  | 500     | 22 lbs  |

\*Special Order Product. Call Customer Service at 800-952-4430

## UL 200° SOLID BRASS VIEWER



Base Metal: Brass

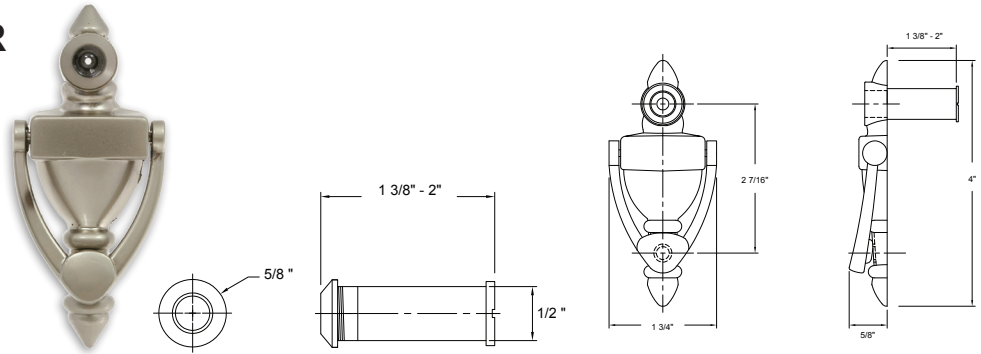


9/16" Installation Hole

|  | Description                | Finish | Item No. | CTN QTY | WT/ CTN |
|--|----------------------------|--------|----------|---------|---------|
|  | UL Solid Brass Viewer 200° | US10B  | 400021   | 500     | 22 lbs  |
|  | UL Solid Brass Viewer 200° | US15   | 400029   | 500     | 22 lbs  |



## 4" DOOR KNOCKER WITH 160° VIEWER

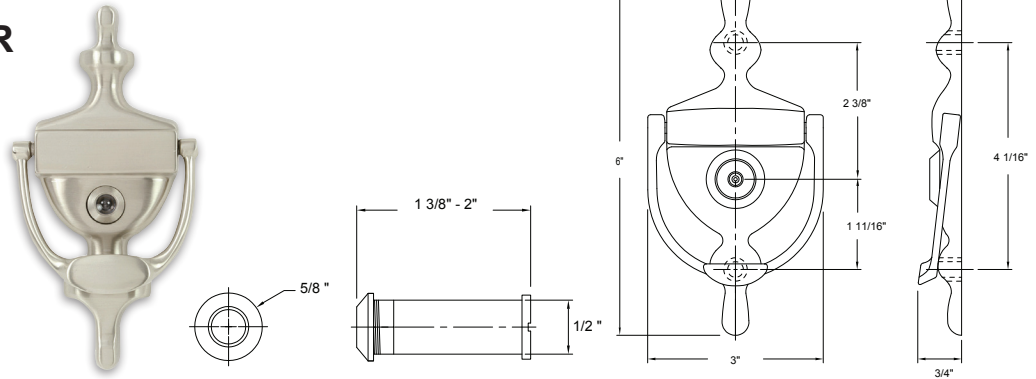


Base Metal: Brass

|  | Description                       | Finish | Item No.  | CTN QTY | WT/ CTN |
|--|-----------------------------------|--------|-----------|---------|---------|
|  | 4" Door Knocker w/ 160° Viewer    | US15   | 400410    | 50      | 10 lb   |
|  | 4" Door Knocker w/ 160° Viewer    | US10B  | 400210*   | 50      | 10 lb   |
|  | 4" Door Knocker w/ 160° Viewer    | US19   | 400310    | 50      | 10 lb   |
|  | 4" Door Knocker w/ 160° Viewer    | US26   | 400149    | 50      | 10 lb   |
|  | 4" Door Knocker w/ 160° UL Viewer | US15   | 400410UL  | 50      | 10 lb   |
|  | 4" Door Knocker w/ 160° UL Viewer | US19   | 400310UL* | 50      | 10 lb   |

\*Special Order Product. Call Customer Service at 800-952-4430

## 6" DOOR KNOCKER W/ 160° VIEWER

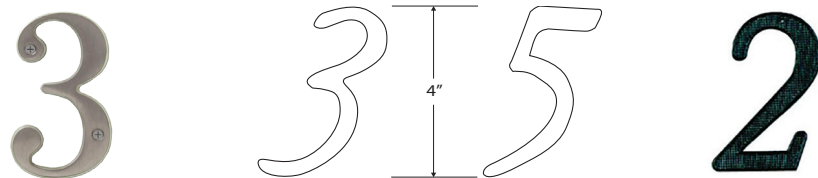


Base Metal: Brass

|  | Description                           | Finish | Item No. | CTN QTY | WT/ CTN |
|--|---------------------------------------|--------|----------|---------|---------|
|  | 6" Solid Brass Door Knocker w/ Viewer | US3    | 400145*  | 50      | 10 lb   |
|  | 6" Solid Brass Door Knocker w/ Viewer | US15   | 400146*  | 50      | 10 lb   |
|  | 6" Solid Brass Door Knocker w/ Viewer | US10B  | 400147*  | 50      | 10 lb   |

\*Special Order Product. Call Customer Service at 800-952-4430

## 4" METAL HOUSE NUMBERS

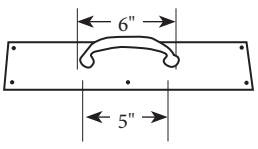
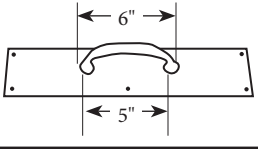
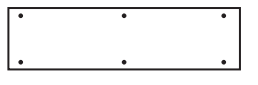
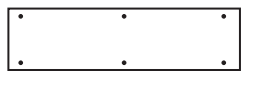
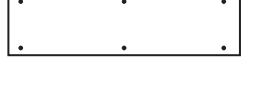
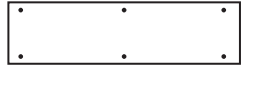
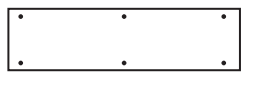


Base Metal: Matte Black-Zinc; US15-Brass

|  | Description                          | Finish      | Item No.    | CTN QTY | WT/ CTN |
|--|--------------------------------------|-------------|-------------|---------|---------|
|  | Metal 4" House Numbers               | Matte Black | 420500(0-9) | 500     | 21 lbs  |
|  | Metal 4" House Numbers (Solid Brass) | US15        | Z38(0-9)15  | 200     | 10 lbs  |

## PULL PLATES, PUSH PLATES, & KICK PLATES

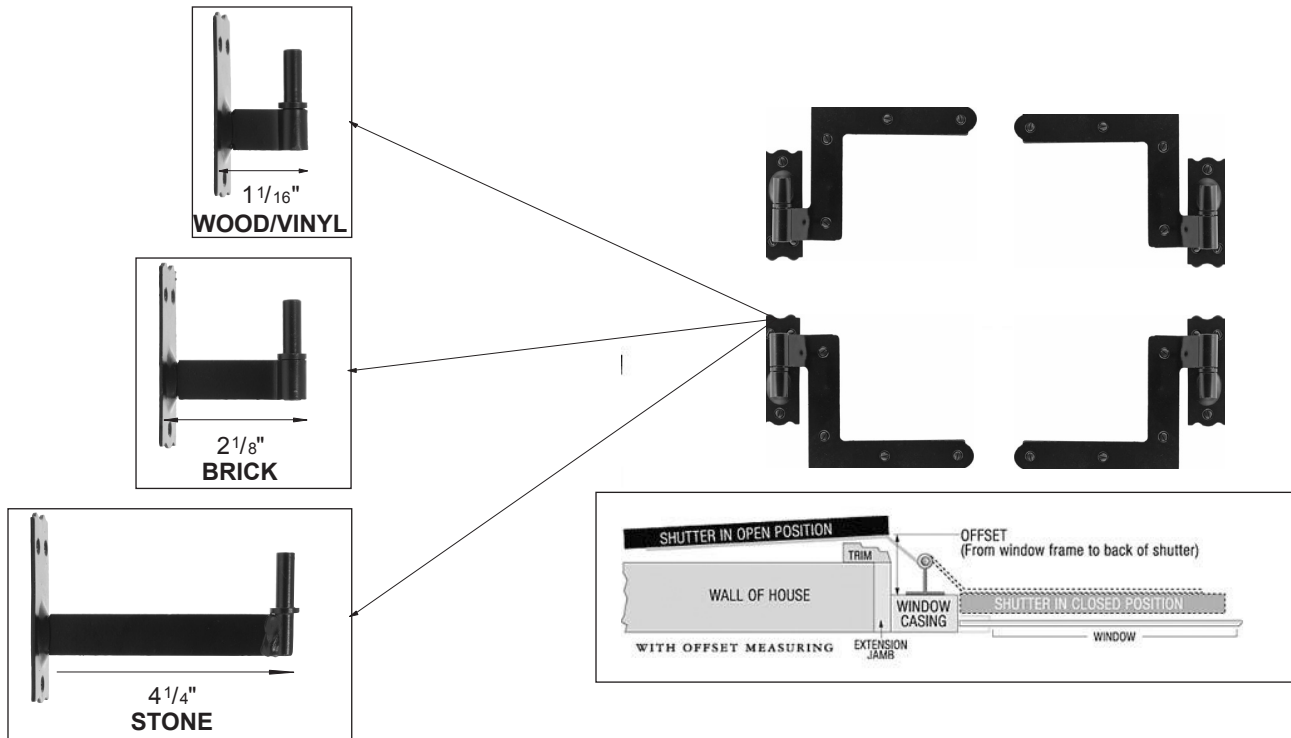
Base Metal: Solid Brass or Satin Stainless Steel

|   | Description   | Finish | Item No. | CTN QTY | WT/ CTN |
|---|---|--------|----------|---------|---------|
|    | 3-1/2" x 15" Satin Stainless Steel Pull Plate       | US32D  | 490002*  | 10      | 16 lb   |
|   | 3-1/2" x 15" Solid Brass Pull Plate                 | US10B  | 490010   | 10      | 16 lb   |
|    | 4" x 16" Satin Stainless Steel Pull Plate           | US32D  | 490500*  | 10      | 16 lb   |
|   | 4" x 16" Solid Brass Pull Plate                     | US10B  | 490110   | 10      | 16 lb   |
|    | 3-1/2" x 15" Satin Stainless Steel Push Plate       | US32D  | 490502   | 10      | 12 lb   |
|   | 3-1/2" x 15" Solid Brass Push Plate                 | US10B  | 490510   | 10      | 12 lb   |
|    | 4" x 16" Satin Stainless Steel Push Plate           | US32D  | 490600*  | 10      | 12 lb   |
|   | 4" x 16" Solid Brass Push Plate                     | US10B  | 490011   | 10      | 12 lb   |
|  | 6" x 34" Satin Stainless Steel Kick Plate w/ Screws | US32D  | 496342   | 10      | 20 lb   |
|   | 6" x 34" Solid Brass Kick Plate w/ Screws           | US10B  | 496349*  | 10      | 24 lb   |
|  | 8" x 34" Solid Brass Kick Plate w/ Screws           | US3    | 498034*  | 10      | 22 lb   |
|   | 8" x 34" Satin Stainless Steel Kick Plate w/ Screws | US32D  | 498342   | 10      | 22 lb   |
|   | 8" x 34" Solid Brass Kick Plate w/ Screws           | US10B  | 498349*  | 10      | 22 lb   |
|   | 8" x 34" Solid Brass Kick Plate w/ Screws           | US15   | 498341*  | 10      | 22 lb   |
|  | 8" x 34" Anodized Kick Plate w/ Screws              | US15   | 498142   | 10      | 12 lb   |
|   | 8" x 34" Anodized Kick Plate w/ Screws              | US10B  | 498149*  | 10      | 12 lb   |

\*Special Order Product. Call Customer Service at 800-952-4430

Call for additional sizes and finishes.

## EXTERIOR SHUTTER BLIND HINGES SOLD IN SETS (Two Pair)

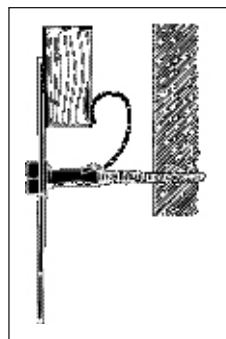
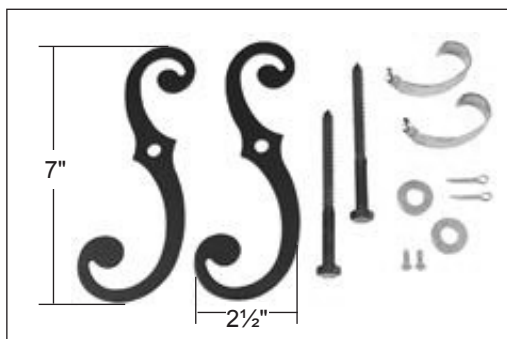


| Description   | Item No.  | CTN QTY | WT/CTN |
|---|-----------|---------|--------|
| Exterior Shutter Hinges for Wood/Vinyl Siding                       | 489200    | 20 Sets | 37 lbs |
| Exterior Shutter Hinges for Brick Siding                            | 489100    | 20 Sets | 40 lbs |
| Exterior Shutter Hinges for Stone Siding                            | 489400    | 20 Sets | 40 lbs |
| Satin Stainless Steel Exterior Shutter Hinges for Wood/Vinyl Siding | 489200SS  | 20 Sets | 40 lbs |
| Satin Stainless Steel Exterior Shutter Hinges for Brick Siding      | 489100SS  | 20 Sets | 40 lbs |
| Satin Stainless Steel Exterior Shutter Hinges for Stone Siding      | 489400SS* | 20 Sets | 40 lbs |

\*Special Order Product. Call Customer Service at 800-952-4430

Base Metal: Iron or Satin Stainless Steel

## S HOOKS SOLD IN PAIRS



### 'S' Hook with Non-Rattling Spring

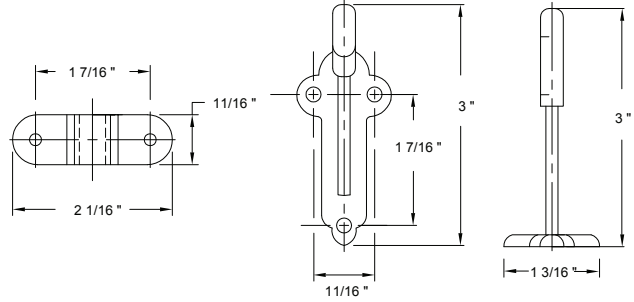
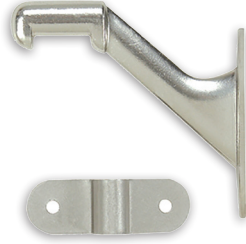
Application of non-rattling spring requires a minimum space of 1-3/8" between the house and the shutter.

| Description                                      | Item No. | CTN QTY  | WT/CTN |
|--|----------|----------|--------|
| Exterior Shutter 'S' Hooks                       | 489300   | 50 Pairs | 40 lbs |
| Satin Stainless Steel Exterior Shutter 'S' Hooks | 489300SS | 50 Pairs | 40 lbs |

Base Metal: Iron or Satin Stainless Steel



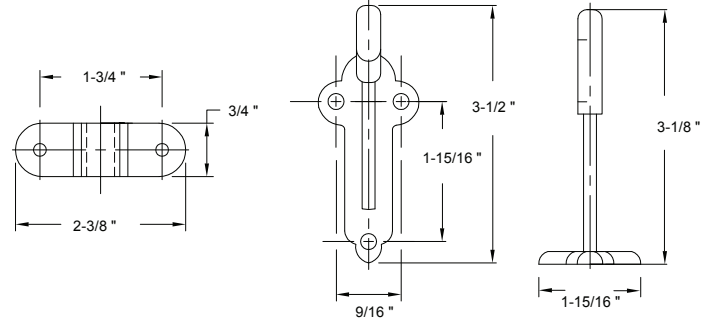
## 3" HANDRAIL BRACKET



Base Metal: Zinc

|  | Description         | Finish | Item No. | CTN QTY | WT/ CTN |
|--|---------------------|--------|----------|---------|---------|
|  | 3" Handrail Bracket | US3    | 406102   | 250     | 40 lbs  |
|  | 3" Handrail Bracket | US26   | 406105   | 250     | 40 lbs  |
|  | 3" Handrail Bracket | US15A  | 406107   | 250     | 40 lbs  |
|  | 3" Handrail Bracket | US15   | 406106   | 250     | 40 lbs  |
|  | 3" Handrail Bracket | US10B  | 406110   | 250     | 40 lbs  |

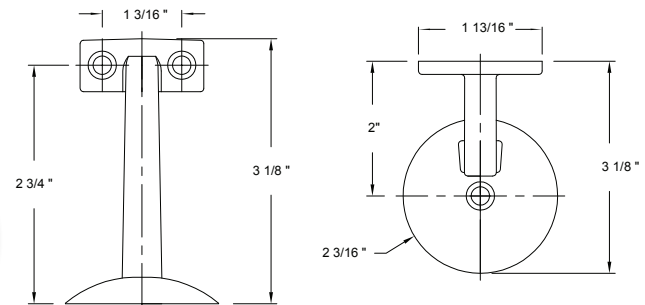
## HEAVY DUTY 3 1/2" HANDRAIL BRACKET



Base Metal: Zinc

|  | Description                         | Finish | Item No. | CTN QTY | WT/ CTN |
|--|-------------------------------------|--------|----------|---------|---------|
|  | 3 1/2" Heavy Duty Hand Rail Bracket | US3    | 406152   | 200     | 53 lbs  |
|  | 3 1/2" Heavy Duty Hand Rail Bracket | US15   | 406159   | 200     | 53 lbs  |
|  | 3 1/2" Heavy Duty Hand Rail Bracket | US10B  | 406150   | 200     | 53 lbs  |
|  | 3 1/2" Heavy Duty Hand Rail Bracket | US19   | 406154   | 200     | 53 lbs  |

## DECORATIVE HANDRAIL BRACKET



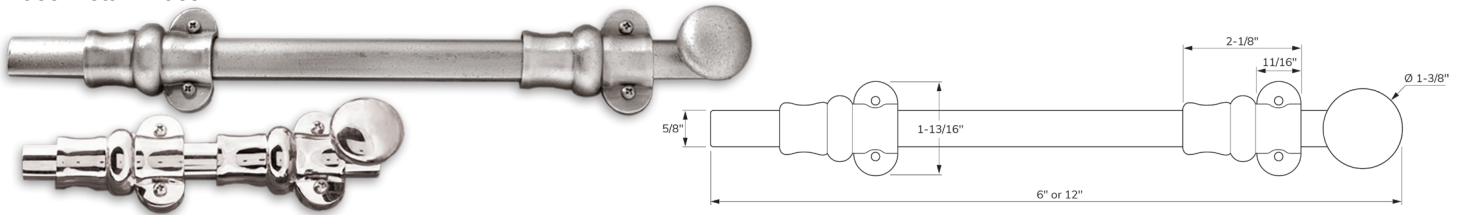
Base Metal: Zinc

|  | Description                  | Finish | Item No. | CTN QTY | WT/ CTN |
|--|------------------------------|--------|----------|---------|---------|
|  | Decorative Hand Rail Bracket | US3    | 406100*  | 100     | 33 lbs  |
|  | Decorative Hand Rail Bracket | US15   | 406111   | 100     | 33 lbs  |
|  | Decorative Hand Rail Bracket | US10B  | 406118   | 100     | 33 lbs  |
|  | Decorative Hand Rail Bracket | US19   | 406114   | 100     | 33 lbs  |

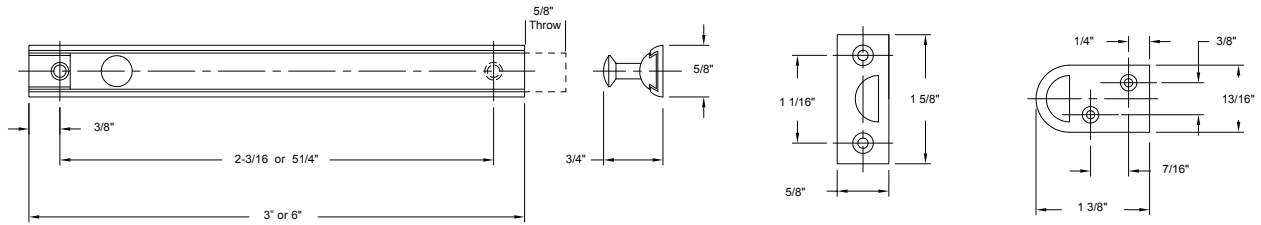
\*Special Order Product. Call Customer Service at 800-952-4430

## SOLID BRASS SURFACE BOLTS

Base Metal: Brass



| Description          | Finish | Item No. | CTN QTY | WT/CTN |
|----------------------|--------|----------|---------|--------|
| 762 Surface Bolt 12" | US15   | BV760016 | 48      | 33 lbs |
| 762 Surface Bolt 12" | US10B  | BV760017 | 48      | 33 lbs |
| 762 Surface Bolt 12" | US26   | BV760021 | 48      | 33 lbs |
| 766 Surface Bolt 6"  | US15   | BV760011 | 76      | 33 lbs |
| 766 Surface Bolt 6"  | US10B  | BV760012 | 76      | 33 lbs |
| 766 Surface Bolt 6"  | US26   | BV760020 | 76      | 33 lbs |

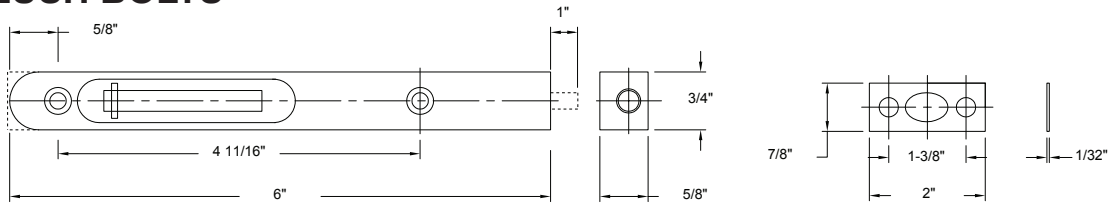


| Description | Finish                      | Item No. | CTN QTY | WT/CTN |        |
|-------------|-----------------------------|----------|---------|--------|--------|
|             | Solid Brass Surface Bolt 3" | US3      | 410303* | 100    | 29 lbs |
|             | Solid Brass Surface Bolt 3" | US15     | 410309* | 100    | 29 lbs |
|             | Solid Brass Surface Bolt 3" | US10B    | 410310* | 100    | 29 lbs |
|             | Solid Brass Surface Bolt 6" | US3      | 410503* | 100    | 29 lbs |
|             | Solid Brass Surface Bolt 6" | US26D    | 410507* | 100    | 29 lbs |
|             | Solid Brass Surface Bolt 6" | US15     | 410509* | 100    | 29 lbs |
|             | Solid Brass Surface Bolt 6" | US10B    | 410510* | 100    | 29 lbs |

\*Special Order Product. Call Customer Service at 800-952-4430

## SOLID BRASS FLUSH BOLTS

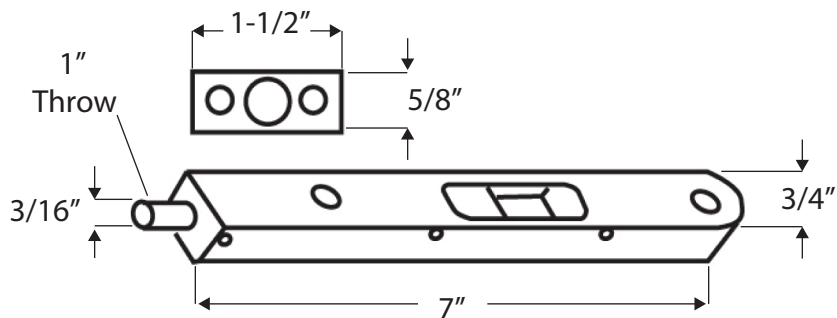
Base Metal: Brass



| Description | Finish                               | Item No. | CTN QTY | WT/CTN |        |
|-------------|--------------------------------------|----------|---------|--------|--------|
|             | Flush Bolt Solid Brass 6" Round End  | US3      | 410600* | 150    | 40 lbs |
|             | Flush Bolt Solid Brass 6" Round End  | US15     | 410215  | 150    | 40 lbs |
|             | Flush Bolt Solid Brass 6" Round End  | US10B    | 410210  | 150    | 40 lbs |
|             | Flush Bolt Solid Brass 6" Square End | US3      | 410800* | 150    | 40 lbs |
|             | Flush Bolt Solid Brass 6" Square End | US15     | 410315* | 150    | 40 lbs |
|             | Flush Bolt Solid Brass 6" Square End | US10B    | 410810  | 150    | 40 lbs |
|             | Flush Bolt Solid Brass 6" Square End | US19     | 410504  | 150    | 40 lbs |
|             | Strike Plate Only for 6" Flush Bolt  | US15     | 480415* | 150    | 40 lbs |
|             | Strike Plate Only for 6" Flush Bolt  | US10B    | 480400* | 150    | 40 lbs |

\*Special Order Product. Call Customer Service at 800-952-4430

## MORTISE IN FLUSH BOLT 7" SLIDE TYPE

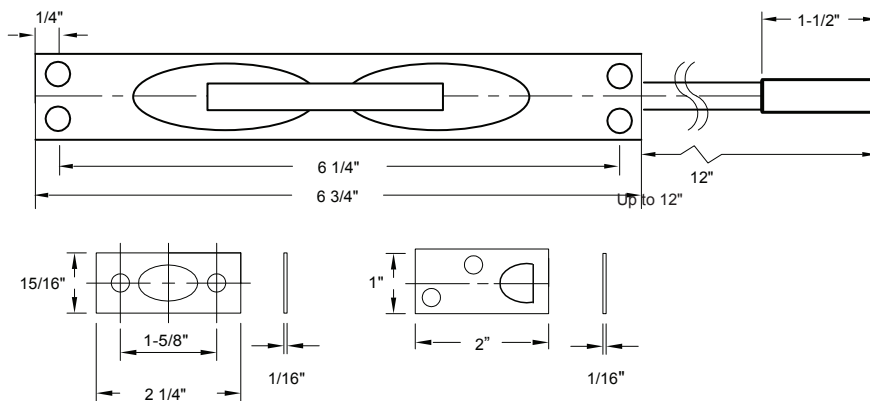


Base Metal: Zinc

|  | Description                                 | Finish | Item No. | CTN QTY | WT/CTN |
|--|---|--------|----------|---------|--------|
|  | Mortise In Flush Bolt 7" (Slide Type)       | US15   | 410107   | 25      | 7 lb   |
|  | Mortise In Flush Bolt 7" (Slide Type)       | US10B  | 410112   | 25      | 7 lb   |
|  | Strike Plate Only for Mortise In Flush Bolt | US15   | 481401*  | 1000    | 22 lbs |
|  | Strike Plate Only for Mortise In Flush Bolt | US10B  | 481400*  | 1000    | 22 lbs |

\*Special Order Product. Call Customer Service at 800-952-4430

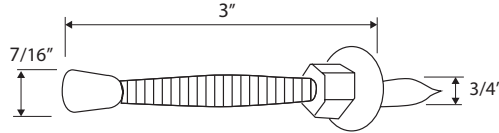
## MORTISE IN EXTENSION FLUSH BOLT




Base Metal: Zinc

|  | Description                             | Finish | Item No. | CTN QTY | WT/CTN |
|--|---|--------|----------|---------|--------|
|  | Mortise in Extension Flush Bolt 1" x 7" | US26D  | 436302   | 25      | 7 lb   |
|  | Mortise in Extension Flush Bolt 1" x 7" | US10B  | 436310   | 25      | 7 lb   |

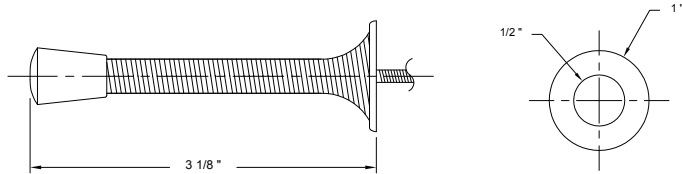
## SPRING DOOR STOP



Base Metal: Zinc

|   | Description                            | Finish | Item No. | CTN QTY | WT/CTN |
|---|--|--------|----------|---------|--------|
|  | Spring Door Stop 3"                    | US15   | 402102   | 1000    | 40 lbs |
|   | Spring Door Stop 3" w/ Matte Black Tip | US10B  | 402100   | 1000    | 40 lbs |

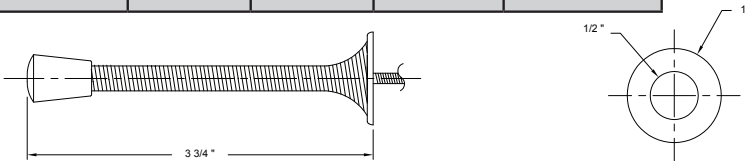
## JUMBO SPRING DOOR STOP



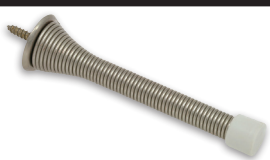
Base Metal: Zinc

|   | Description                                  | Finish | Item No. | CTN QTY | WT/CTN |
|---|--|--------|----------|---------|--------|
|  | Jumbo Spring Door Stop 3"                    | US3    | 402511   | 500     | 33 lbs |
|   | Jumbo Spring Door Stop 3"                    | US5    | 402519   | 500     | 33 lbs |
|   | Jumbo Spring Door Stop 3"                    | US26   | 402516   | 500     | 33 lbs |
|   | Jumbo Spring Door Stop 3"                    | US15   | 402518   | 500     | 33 lbs |
|   | Jumbo Spring Door Stop 3" w/ Matte Black Tip | US15A  | 402517   | 500     | 33 lbs |
|   | Jumbo Spring Door Stop 3" w/ Matte Black Tip | US10B  | 402510   | 500     | 33 lbs |
|   | Jumbo Spring Door Stop 3" w/ Matte Black Tip | US19   | 402514   | 500     | 33 lbs |

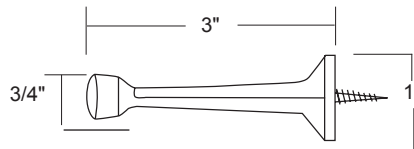
## 3-3/4" SPRING DOOR STOP




Base Metal: Zinc

|   | Description                                 | Finish | Item No. | CTN QTY | WT/CTN |
|---|---|--------|----------|---------|--------|
|  | Spring Door Stop 3 3/4"                     | US15   | 402118   | 500     | 37 lbs |
|   | Spring Door Stop 3 3/4" w/ Matte Black Tips | US15A  | 402113   | 500     | 37 lbs |
|   | Spring Door Stop 3 3/4" w/ Matte Black Tips | US10B  | 402108   | 500     | 37 lbs |

## HD RIGID DOOR STOP



Base Metal: Zinc

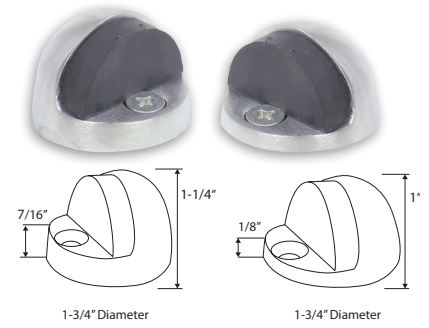
|   | Description                                 | Finish | Item No. | CTN QTY | WT/CTN |
|---|---|--------|----------|---------|--------|
|  | H.D. Rigid Door Stop 3"                     | US3    | 402150   | 250     | 24 lbs |
|   | H.D. Rigid Door Stop 3"                     | US26   | 402170   | 250     | 24 lbs |
|   | H.D. Rigid Door Stop 3" w/ Matte Black Tips | US15A  | 402185   | 250     | 24 lbs |
|   | H.D. Rigid Door Stop 3"                     | US15   | 402190   | 250     | 24 lbs |
|   | H.D. Rigid Door Stop 3" w/ Matte Black Tips | US10B  | 402175   | 250     | 24 lbs |
|   | H.D. Rigid Door Stop 3" w/ Matte Black Tips | US19   | 402195   | 250     | 24 lbs |
|   | 920 Solid Brass Door Stop US15              | US15   | BV920001 | 250     | 24 lbs |
|   | 920 Solid Brass Door Stop US10B             | US10B  | BV920002 | 250     | 24 lbs |
|   | 920 Solid Brass Door Stop US26              | US26   | BV920003 | 250     | 24 lbs |

## DOMESTOP

Base Metal: Zinc

| Description                              | Finish | Item No. | CTN QTY | WT/CTN |
|--|--------|----------|---------|--------|
| Dome Stop Low Profile (1/8" Clearance)   | US26D  | 412614   | 25      | 10 lb  |
| Dome Stop Low Profile (1/8" Clearance)   | US10B  | 412615*  | 25      | 10 lb  |
| Dome Stop High Profile (7/16" Clearance) | US26D  | 402604   | 25      | 12 lb  |
| Dome Stop High Profile (7/16" Clearance) | US10B  | 402605   | 25      | 12 lb  |

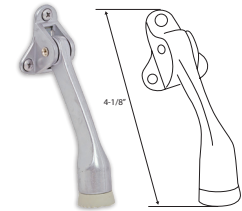
\*Special Order Product. Call Customer Service at 800-952-4430



## DROP DOWN DOOR HOLDER

Base Metal: Zinc

| Description           | Finish | Item No. | CTN QTY | WT/CTN |
|-----------------------|--------|----------|---------|--------|
| Drop Down Door Holder | US26D  | 402806   | 15      | 12 lb  |

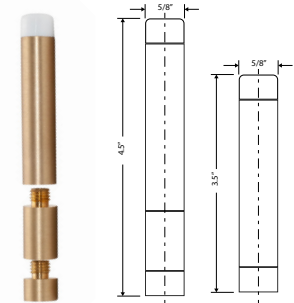


## 3-1/2" / 4-1/2" ADJUSTABLE BRASS DOOR STOP

Base Metal: Brass

| Description                            | Finish | Item No. | CTN QTY | WT/CTN |
|--|--------|----------|---------|--------|
| Solid Brass Adjustable Base Board Stop | US10B  | 402010*  | 10      | 5 lb   |
| Solid Brass Adjustable Base Board Stop | US15   | 402015*  | 10      | 5 lb   |
| Solid Brass Adjustable Base Board Stop | US26   | 402016*  | 10      | 5 lb   |
| Solid Brass Adjustable Base Board Stop | US4    | 402017*  | 10      | 5 lb   |
| Solid Brass Adjustable Base Board Stop | US19   | 402019*  | 10      | 5 lb   |

\*Special Order Product. Call Customer Service at 800-952-4430

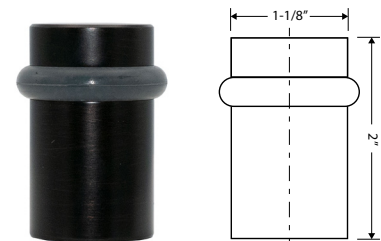


## 2" ROUND BRASS FLOOR BUMPER

Base Metal: Brass

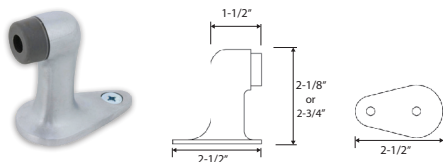
| Description                    | Finish | Item No. | CTN QTY | WT/CTN |
|--------------------------------|--------|----------|---------|--------|
| Solid Brass Round Floor Bumper | US10B  | 402910*  | 60      | 35 lbs |
| Solid Brass Round Floor Bumper | US15   | 402905*  | 60      | 35 lbs |
| Solid Brass Round Floor Bumper | US26   | 402906*  | 60      | 35 lbs |
| Solid Brass Round Floor Bumper | US4    | 402917*  | 60      | 35 lbs |
| Solid Brass Round Floor Bumper | US19   | 402919*  | 60      | 35 lbs |

\*Special Order Product. Call Customer Service at 800-952-4430



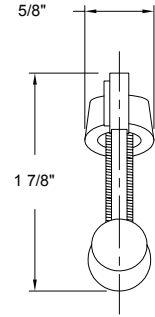
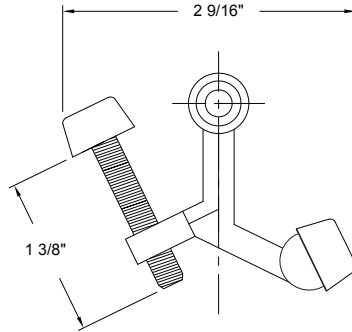
## BRASS GOOSE NECK DOOR STOP

Base Metal: Brass



| Description                             | Finish | Item No. | CTN QTY | WT/CTN |
|---|--------|----------|---------|--------|
| Gooseneck Door Stop 2 1/8"              | US26D  | 401187   | 4       | 3 lb   |
| Gooseneck Door Stop 2 1/8"              | US10B  | 401180   | 4       | 3 lb   |
| Gooseneck Door Stop 2 3/4"              | US26D  | 401340   | 4       | 3 lb   |
| Gooseneck Door Stop 2 3/4"              | US10B  | 401347   | 4       | 3 lb   |
| 921 1 3/8" Solid Brass Floor Stop US15  | US15   | BV921001 | 100     | 15 lb  |
| 921 1 3/8" Solid Brass Floor Stop US10B | US10B  | BV921002 | 100     | 15 lb  |
| 921 1 3/8" Solid Brass Floor Stop US26  | US26   | BV921003 | 100     | 15 lb  |
| 922 2 3/4" Solid Brass Floor Stop US15  | US15   | BV922001 | 100     | 15 lb  |
| 922 2 3/4" Solid Brass Floor Stop US10B | US10B  | BV922002 | 100     | 15 lb  |
| 922 2 3/4" Solid Brass Floor Stop US26  | US26   | BV922003 | 100     | 15 lb  |

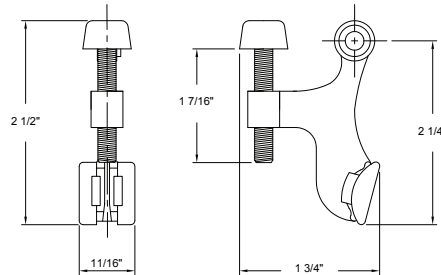
## HEAVY DUTY HINGE PIN DOOR STOP



Base Metal: Zinc

|  | Description                                  | Finish | Item No. | CTN QTY | WT/CTN |
|--|--|--------|----------|---------|--------|
|  | H.D. Hinge Pin Door Stop                     | US3    | 402300   | 500     | 42 lbs |
|  | H.D. Hinge Pin Door Stop                     | US26   | 402500   | 500     | 42 lbs |
|  | H.D. Hinge Pin Door Stop w/ Matte Black Tips | US15A  | 402600   | 500     | 42 lbs |
|  | H.D. Hinge Pin Door Stop                     | US15   | 402601   | 500     | 42 lbs |
|  | H.D. Hinge Pin Door Stop w/ Matte Black Tips | US10B  | 402310   | 500     | 42 lbs |
|  | H.D. Hinge Pin Door Stop w/ Matte Black Tips | US19   | 402602   | 500     | 42 lbs |

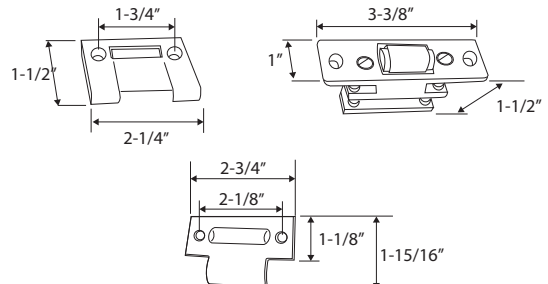
## HALF LEAF HINGE PIN DOOR STOP



Base Metal: Zinc

|  | Description                                       | Finish | Item No. | CTN QTY | WT/CTN |
|--|---|--------|----------|---------|--------|
|  | Half Leaf Hinge Pin Door Stop                     | US15   | 402452   | 100     | 13 lb  |
|  | Half Leaf Hinge Pin Door Stop w/ Matte Black Tips | US10B  | 402459   | 100     | 13 lb  |
|  | Half Leaf Hinge Pin Door Stop                     | US19   | 402454   | 100     | 13 lb  |

## HEAVY DUTY BRASS JUMBO ROLLER CATCH

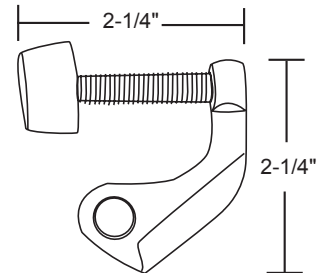
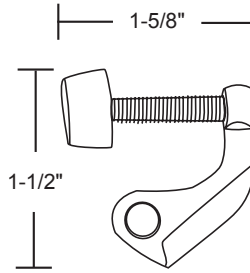


Base Metal: Brass

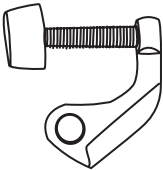
|  | Description                   | Finish | Item No. | CTN QTY | WT/CTN |
|--|-------------------------------|--------|----------|---------|--------|
|  | Heavy Duty Jumbo Roller Catch | US26D  | 420706   | 15      | 8 lb   |
|  | Heavy Duty Jumbo Roller Catch | US10B  | 420710   | 15      | 8 lb   |

## DOOR SAVER HINGE PIN DOOR STOP

*DOORSAVER*



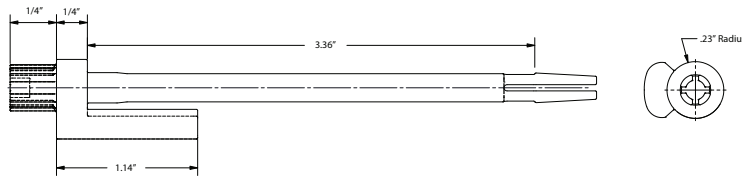
Base Metal: Zinc

| Description   | Finish                         | Item No. | CTN QTY | WT/CTN |       |
|---|--------------------------------|----------|---------|--------|-------|
|  | Door Saver Hinge Pin Door Stop | US3      | 402200  | 100    | 8 lb  |
|   | Door Saver Hinge Pin Door Stop | US5      | 402201  | 100    | 8 lb  |
|   | Door Saver Hinge Pin Door Stop | US26     | 402202  | 100    | 8 lb  |
|   | Door Saver Hinge Pin Door Stop | US15A    | 402203  | 100    | 8 lb  |
|   | Door Saver Hinge Pin Door Stop | US15     | 402204  | 100    | 8 lb  |
|   | Door Saver Hinge Pin Door Stop | US10B    | 402199  | 100    | 8 lb  |
|   | Door Saver Hinge Pin Door Stop | US1      | 402198* | 100    | 8 lb  |
|   | Door Saver Hinge Pin Door Stop | US19     | 402196  | 100    | 8 lb  |
|   | Commercial Door Saver          | US3      | 401220* | 100    | 10 lb |
|   | Commercial Door Saver          | US26     | 401202* | 100    | 10 lb |
|   | Commercial Door Saver          | US15     | 401204* | 100    | 10 lb |
|   | Commercial Door Saver          | US10B    | 401199* | 100    | 10 lb |


\*Special Order Product. Call Customer Service at 800-952-4430

## DOOR SAVER 2 HINGE PIN DOOR STOP

*DOORSAVER II*



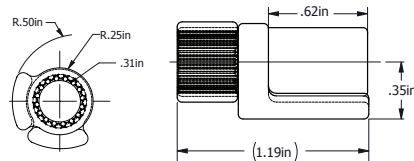
Base Metal: Zinc

| Description   | Finish                            | Item No. | CTN QTY | WT/CTN |       |
|---|-----------------------------------|----------|---------|--------|-------|
|  | Door Saver II Hinge Pin Door Stop | US3      | 402303* | 100    | 10 lb |
|   | Door Saver II Hinge Pin Door Stop | US26     | 402304  | 100    | 10 lb |
|   | Door Saver II Hinge Pin Door Stop | US15     | 402301  | 100    | 10 lb |
|   | Door Saver II Hinge Pin Door Stop | US10B    | 402302  | 100    | 10 lb |
|   | Door Saver II Hinge Pin Door Stop | US19     | 402306  | 100    | 10 lb |


\*With adjustable swing angle \*Replaces existing pin from hinge

## DOOR SAVER 3 HINGE PIN DOOR STOP

*DOORSAVER III*



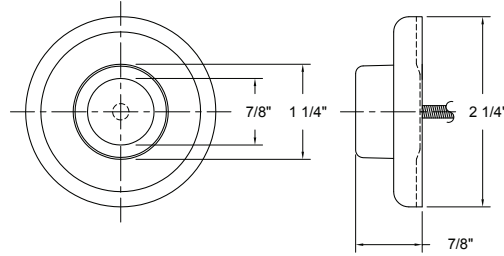
Base Metal: Zinc

| Description   | Finish                             | Item No. | CTN QTY | WT/CTN |       |
|---|------------------------------------|----------|---------|--------|-------|
|  | Door Saver III Hinge Pin Door Stop | US3      | 402404* | 100    | 10 lb |
|   | Door Saver III Hinge Pin Door Stop | US15     | 402434  | 100    | 10 lb |
|   | Door Saver III Hinge Pin Door Stop | US10B    | 402436  | 100    | 10 lb |
|   | Door Saver III Hinge Pin Door Stop | US19     | 402496  | 100    | 10 lb |
|   | Door Saver III Hinge Pin Door Stop | US26     | 402433  | 100    | 10 lb |

\*With max adjustable swing angle of 160°



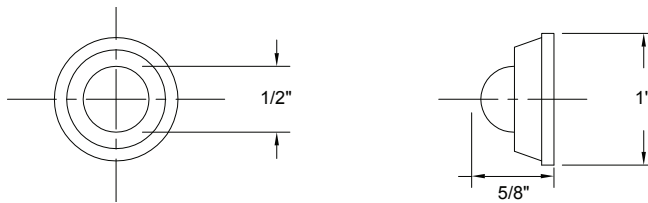
## 2 1/4" CONCAVE WALL BUMPER



Base Metal: Zinc

|  | Description        | Finish | Item No. | CTN QTY | WT/ CTN |
|--|--------------------|--------|----------|---------|---------|
|  | 2 1/4" Wall Bumper | US26D  | 402707   | 25      | 6 lb    |
|  | 2 1/4" Wall Bumper | US15   | 402708   | 25      | 6 lb    |
|  | 2 1/4" Wall Bumper | US10B  | 402710   | 25      | 6 lb    |

## 1" CONVEX WALL BUMPER

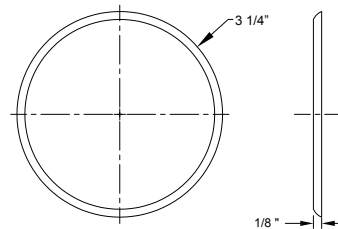


Base Metal: Zinc

|  | Description    | Finish | Item No. | CTN QTY | WT/ CTN |
|--|----------------|--------|----------|---------|---------|
|  | 1" Wall Bumper | US26D  | 403015   | 100     | 7 lb    |
|  | 1" Wall Bumper | US10B  | 403010*  | 100     | 7 lb    |

\*Special Order Product. Call Customer Service at 800-952-4430

## KNOB PROTECTOR PLATE



Base Material: Plastic

|  | Description                             | Finish | Item No. | CTN QTY | WT/ CTN |
|--|---|--------|----------|---------|---------|
|  | 3" Knob Protector Plate (Self Adhesive) | US1    | 457701   | 100     | 5 lb    |

## HOLE PLATE COVER

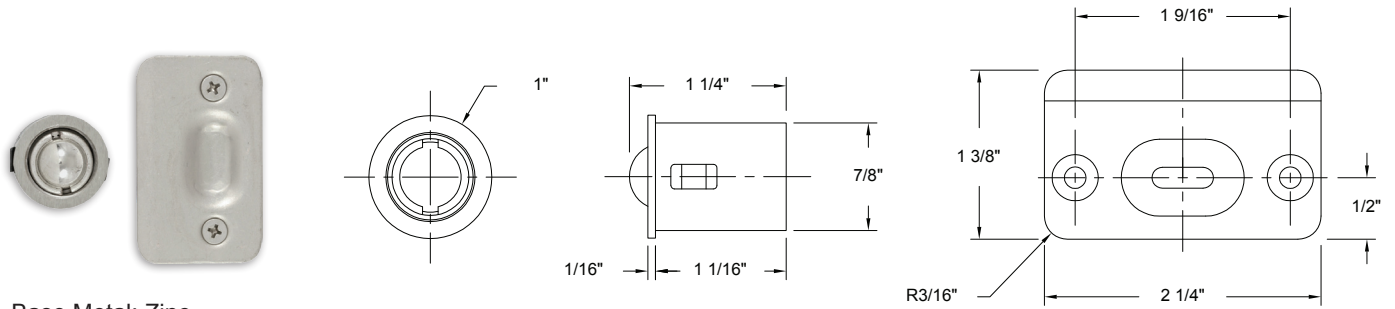
Base Material: Metal

|  | Description              | Finish | Item No. | CTN QTY | WT/ CTN |
|--|--------------------------|--------|----------|---------|---------|
|  | 2-1/8" Hole Plate Cover* | USP    | 2310011  | 10      | 2 lb    |

\*Can be painted



## DRIVE-IN BALL CATCH

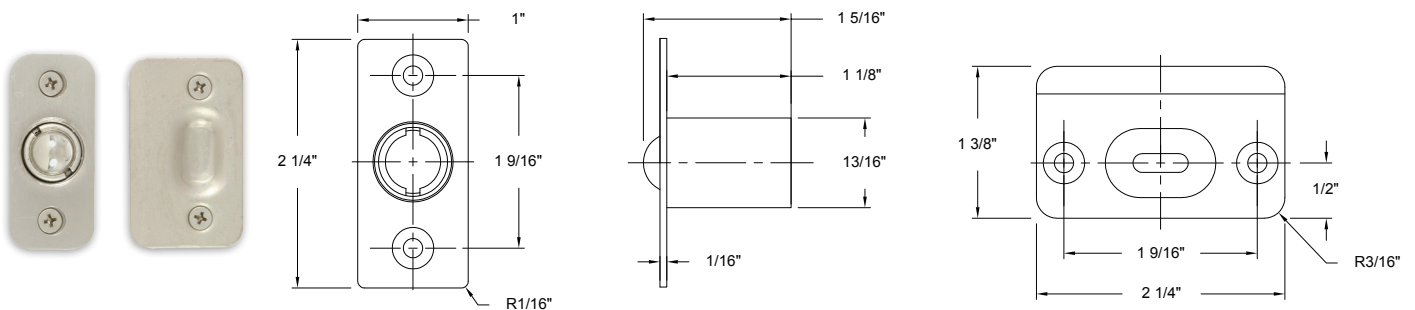


Base Metal: Zinc

|  | Description                      | Finish | Item No. | CTN QTY | WT/ CTN |
|--|----------------------------------|--------|----------|---------|---------|
|  | Drive-In Ball Catch 2 1/4" x 1"  | US3    | 420103   | 50      | 8 lb    |
|  | Drive-In Ball Catch 2 1/4" x 1"  | US26   | 420107   | 50      | 8 lb    |
|  | Drive-In Ball Catch 2 1/4" x 1"  | US15   | 420109   | 50      | 8 lb    |
|  | Drive-In Ball Catch 2 1/4" x 1"  | US10B  | 420110   | 50      | 8 lb    |
|  | Drive-In Ball Catch 2 1/4" x 1"  | US19   | 420111   | 50      | 8 lb    |
|  | Strike Plate Only for Ball Catch | US3    | 480303*  | 100     | 10 lb   |
|  | Strike Plate Only for Ball Catch | US26   | 480306   | 100     | 10 lb   |
|  | Strike Plate Only for Ball Catch | US15   | 480315   | 100     | 10 lb   |
|  | Strike Plate Only for Ball Catch | US10B  | 480300   | 100     | 10 lb   |

\*Special Order Product. Call Customer Service at 800-952-4430

## MORTISE BALL CATCH

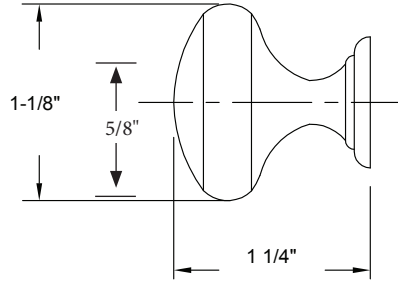


Base Metal: Zinc


|  | Description                    | Finish | Item No. | CTN QTY | WT/ CTN |
|--|--------------------------------|--------|----------|---------|---------|
|  | Mortise Ball Catch 2 1/4" x 1" | US3    | 420100*  | 50      | 8 lb    |
|  | Mortise Ball Catch 2 1/4" x 1" | US15   | 420400   | 50      | 8 lb    |
|  | Mortise Ball Catch 2 1/4" x 1" | US10B  | 420401   | 50      | 8 lb    |

\*Special Order Product. Call Customer Service at 800-952-4430

## SOLID BRASS CABINET KNOB

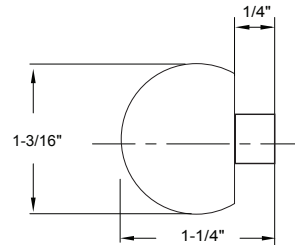


Base Metal: Brass

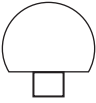
|   | Description              | Finish | Item No. | CTN QTY | WT/ CTN |
|---|--------------------------|--------|----------|---------|---------|
|  | Cabinet Knob Solid Brass | US15   | 437015*  | 20      | 5 lb    |
|   | Cabinet Knob Solid Brass | US10B  | 437010*  | 20      | 5 lb    |

\*Special Order Product. Call Customer Service at 800-952-4430

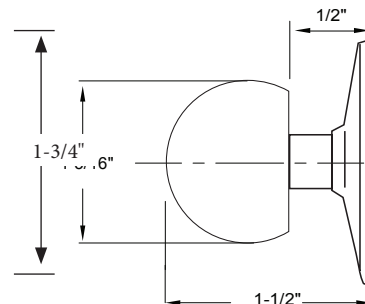
## BI-FOLD DOOR KNOB



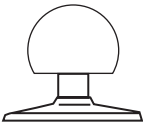
Base Metal: Zinc

|   | Description       | Finish | Item No. | CTN QTY | WT/ CTN |
|---|-------------------|--------|----------|---------|---------|
|  | Bi-Fold Door Knob | US15   | 430102   | 25      | 5 lb    |

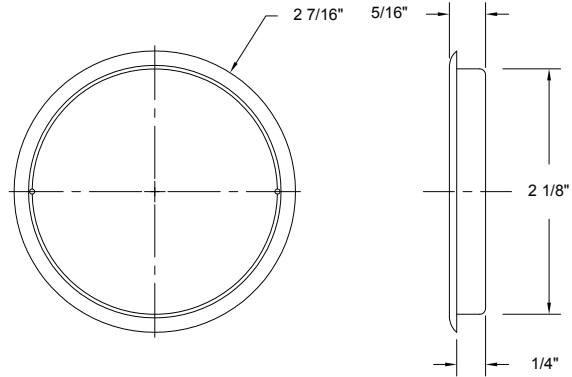
## BI-FOLD DOOR KNOB with BACK PLATE



Base Metal: Zinc

|   | Description                       | Finish | Item No. | CTN QTY | WT/ CTN |
|---|-----------------------------------|--------|----------|---------|---------|
|  | Bi-Fold Door Knob with Back Plate | US15   | 435102   | 25      | 6 lb    |

## DRIVE-IN FINGER PULL



Base Metal: Zinc

|  | Description                          | Finish | Item No. | CTN QTY | WT/ CTN |
|--|--------------------------------------|--------|----------|---------|---------|
|  | Drive-in Finger Pull 2-1/8" Diameter | US15   | 400515   | 150     | 10 lb   |
|  | Drive-in Finger Pull 2-1/8" Diameter | US10B  | 400910   | 150     | 10 lb   |

## TEMPORARY DOOR LATCH

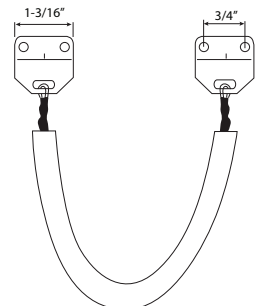


Base Material: Plastic

Fits 2-1/8" Bore  
Adjustable for 2-3/8" or 2-3/4" Backset

|  | Description                              | Finish  | Item No. | CTN QTY | WT/ CTN |
|--|--|---------|----------|---------|---------|
|  | Temporary Door Latch<br>"The Blue Thing" | Plastic | 410000   | 100     | 3 lb    |

## CHAIN DOOR STOP W/ VINYL COVER

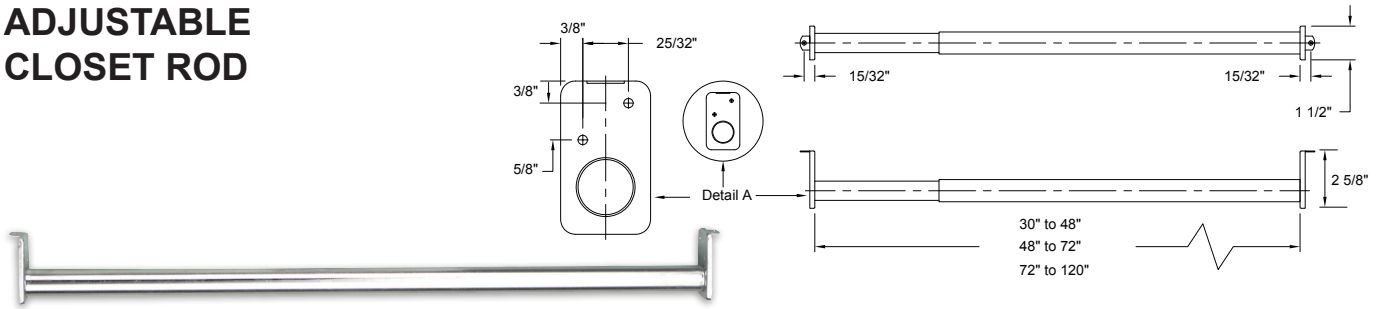


18" Chain Length

Base Metal: Zinc

|  | Description                      | Finish | Item No. | CTN QTY | WT/ CTN |
|--|----------------------------------|--------|----------|---------|---------|
|  | Chain Door Stop with Vinyl Cover | Zinc   | 474304   | 10      | 4 lb    |

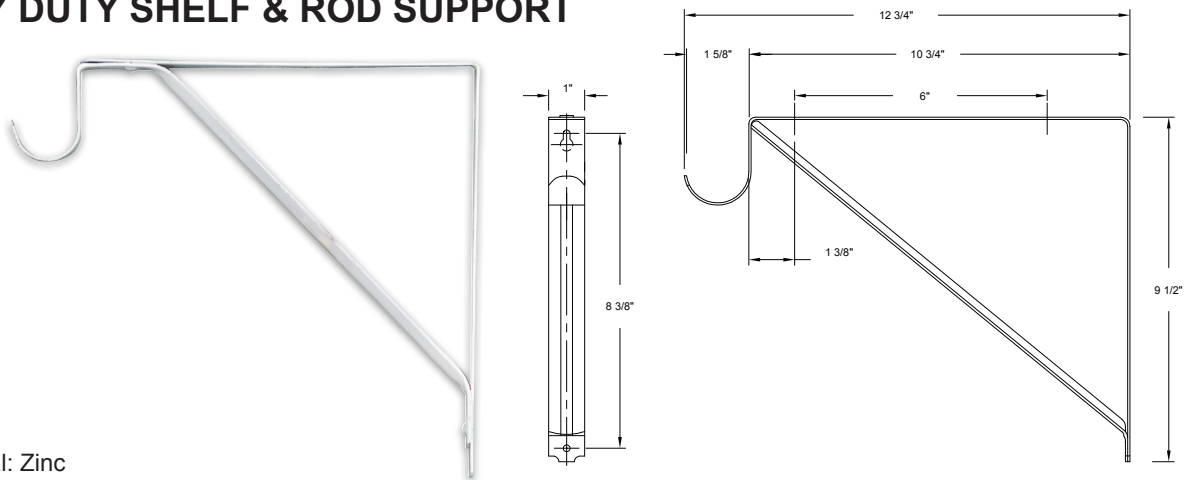
## ADJUSTABLE CLOSET ROD



Base Metal: Zinc

|  | Description                      | Finish     | Item No. | CTN QTY | WT/CTN |
|--|----------------------------------|------------|----------|---------|--------|
|  | 30" - 48" Adjustable Closet Rod  | Zinc Plate | 463048   | 10      | 18 lb  |
|  | 48" - 72" Adjustable Closet Rod  | Zinc Plate | 464872   | 10      | 24 lb  |
|  | 72" - 120" Adjustable Closet Rod | Zinc Plate | 469620   | 10      | 28 lb  |

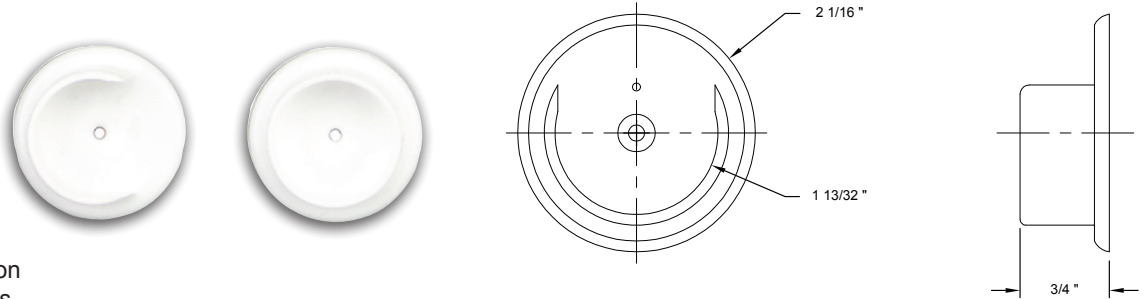
## HEAVY DUTY SHELF & ROD SUPPORT



Base Metal: Zinc

|  | Description  | Finish | Item No. | CTN QTY | WT/CTN |
|--|--|--------|----------|---------|--------|
|  | H.D. Shelf & Rod Support<br>(Sold in carton quantities only) | US1    | 474700   | 20      | 20 lb  |
|  | H.D. Adjustable Shelf Support Bracket                        | US1    | 474800   | 20      | 20 lb  |

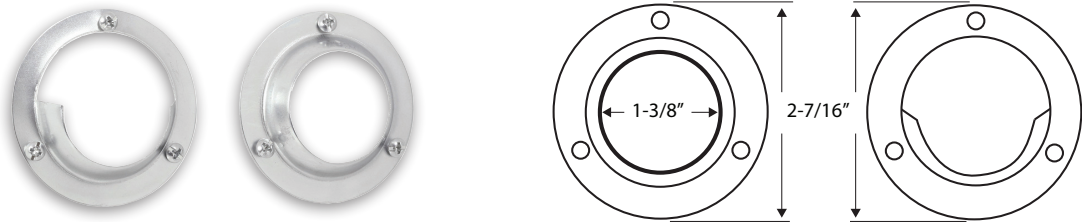
## PLASTIC CLOSET POLE SOCKET



Base Material: Nylon  
Comes wiith screws

|  | Description                        | Finish | Item No. | CTN QTY | WT/ CTN |
|--|------------------------------------|--------|----------|---------|---------|
|  | Plastic Closet Pole Socket (White) | US1    | 407400   | 25 Pair | 5 lb    |

## METAL CLOSET POLE SOCKET

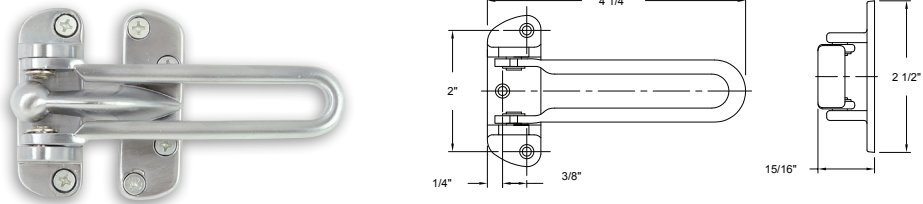


Base Metal: Zinc  
Comes wiith screws

|  | Description              | Finish | Item No. | CTN QTY | WT/ CTN |
|--|--------------------------|--------|----------|---------|---------|
|  | Metal Closet Pole Socket | US3    | 407403*  | 50 Pair | 6 lb    |
|  | Metal Closet Pole Socket | US26D  | 407406   | 50 Pair | 6 lb    |

\*Special Order Product. Call Customer Service at 800-952-4430

## SAFETY DOOR GUARD



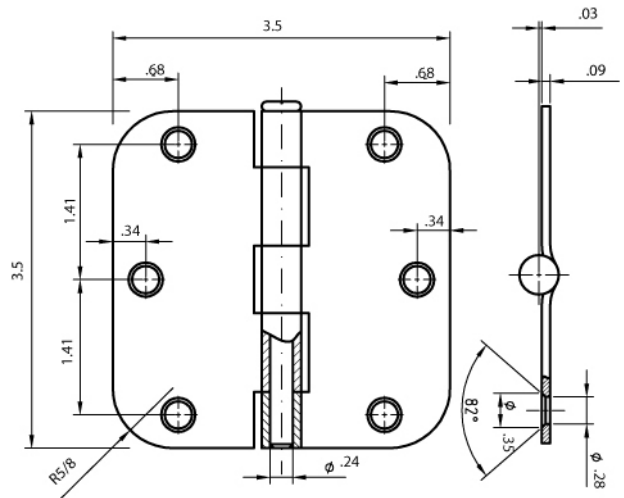
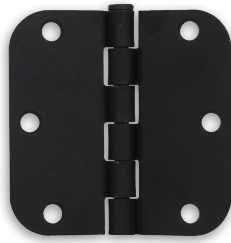
Base Metal: Zinc

|  | Description                      | Finish | Item No. | CTN QTY | WT/ CTN |
|--|----------------------------------|--------|----------|---------|---------|
|  | Safety Door Guard (Ball Bearing) | US26D  | 465800   | 20      | 8 lb    |

## 3 1/2" X 3 1/2" BULK RESIDENTIAL HINGES INTERIOR

### SPECIFICATIONS

- #9 X 3/4" wood screws supplied
- #9 x 1" wood screws additional
- #9 x 2" wood screws additional
- Gauge 0.087" Steel
- Bulk packaged 50 pair / CTN, 45 lbs.
- Priced and sold by the pair (2 Hinges)



Base Metal: Steel

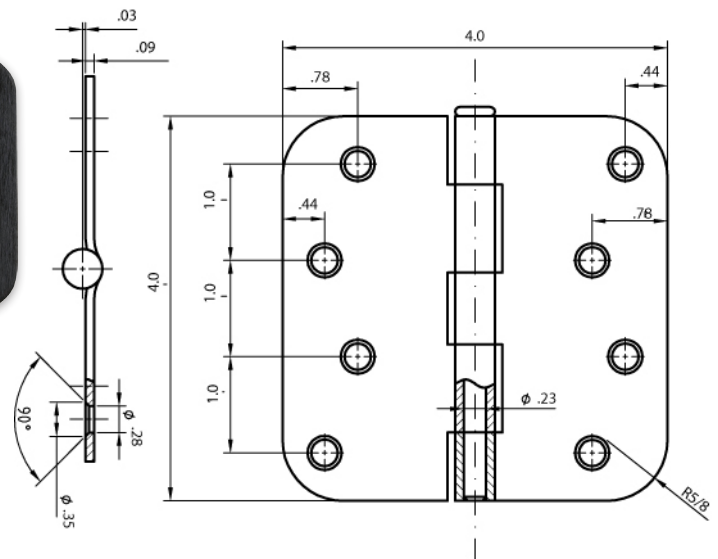
| Radius | USP<br>Prime<br>Coat | US4<br>Satin<br>Brass | US26S<br>Satin<br>Chrome | US3<br>Bright<br>Brass | US5<br>Antique<br>Brass | US26D<br>Satin<br>Chrome | US26<br>Bright<br>Chrome | US15A<br>Antique<br>Nickel | US10B<br>Oil Rubbed<br>Bronze | US15<br>Satin<br>Nickel | US19<br>Matte<br>Black |        |
|--------|----------------------|-----------------------|--------------------------|------------------------|-------------------------|--------------------------|--------------------------|----------------------------|-------------------------------|-------------------------|------------------------|--------|
| 5/8"   | Item No.             | RH3500                | RH3504                   | RH3508*                | RH3503                  | RH3505                   | RH3506                   | RH3507                     | RH3509                        | RH3510                  | RH3515                 | RH3519 |

\*Special Order Product. Call Customer Service at 800-952-4430

## 4" X 4" BULK RESIDENTIAL HINGES EXTERIOR

### SPECIFICATIONS

- #9 X 1" wood screws supplied
- #9 x 3/4" wood screws additional
- #9 x 2" wood screws additional
- Gauge 0.087" Steel
- Bulk packaged 50 pair / CTN, 50 lbs
- Priced and sold by the pair (2 Hinges)

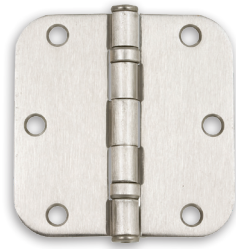


Base Metal: Steel

| Radius   | US4<br>Satin<br>Brass | US3<br>Bright<br>Brass | US5<br>Antique<br>Brass | US26D<br>Satin<br>Chrome | US26<br>Bright<br>Chrome | US15A<br>Antique<br>Nickel | US10B<br>Oil Rubbed<br>Bronze | US15 Satin<br>Nickel | US19<br>Matte<br>Black |        |
|----------|-----------------------|------------------------|-------------------------|--------------------------|--------------------------|----------------------------|-------------------------------|----------------------|------------------------|--------|
| 5/8"     | Item No.              | RH4504                 | RH4503*                 | RH4505*                  | RH4506*                  | RH4507                     | RH4509*                       | RH4510               | RH4515                 | RH4519 |
| 5/8" NRP | Item No.              | —                      | —                       | —                        | RH4530                   | —                          | —                             | RH4531               | —                      | —      |

\*Special Order Product. Call Customer Service at 800-952-4430

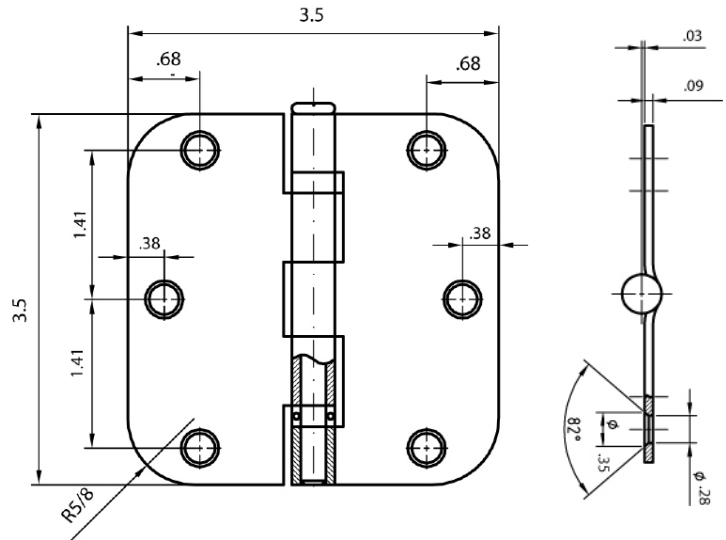
## 3 1/2" X 3 1/2" RESIDENTIAL BALL BEARING HINGES



### SPECIFICATIONS

- #9 x 1" wood screws supplied
- #9 x 2" wood screws additional
- Gauge 0.087" Steel
- Bulk packaged 50 pair / CTN, 45 lbs.
- Priced and sold by the pair (2 Hinges)

Base Metal: Steel



| Description                        | Radius |          | US3<br>Bright Brass | US10B<br>Oil Rubbed Bronze | US15<br>Satin Nickel |
|------------------------------------|--------|----------|---------------------|----------------------------|----------------------|
| 3 1/2" x 3 1/2" Ball Bearing Hinge | 5/8"   | Item No. | RH6503*             | RH6510*                    | RH6515*              |

\*Special Order Product. Call Customer Service at 800-952-4430

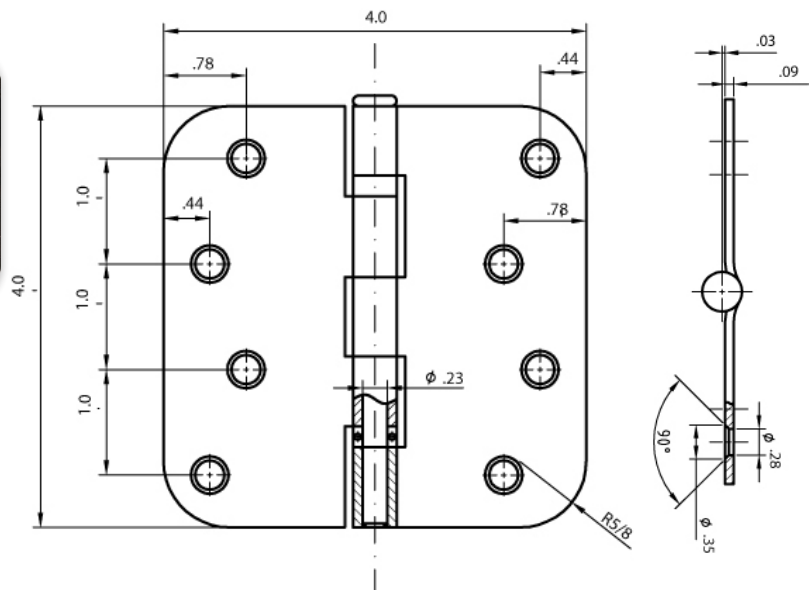
## 4" X 4" RESIDENTIAL BALL BEARING HINGES



### SPECIFICATIONS

- #9 X 1" wood screws supplied
- #9 x 2" wood screws additional
- Gauge 0.087" Steel
- Bulk packaged 50 pair / CTN, 50 lbs.
- Priced and sold by the pair (2 Hinges)

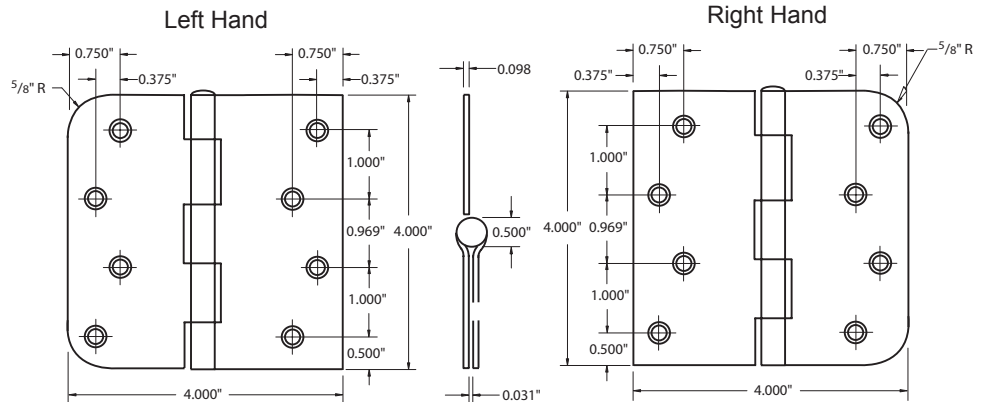
Base Metal: Steel



|                            | Radius |          | US3<br>Bright Brass | US10B<br>Oil Rubbed Bronze | US15<br>Satin Nickel |
|----------------------------|--------|----------|---------------------|----------------------------|----------------------|
| 4" x 4" Ball Bearing Hinge | 5/8"   | Item No. | RH7503*             | RH7510                     | RH7515               |

\*Special Order Product. Call Customer Service at 800-952-4430

## 4" x 4" 5/8R x SQ HINGES FOR CASTLEGATE



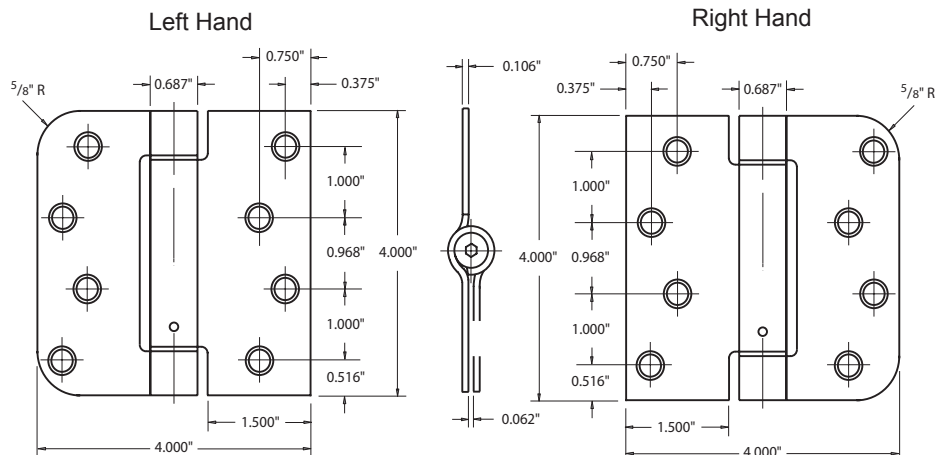
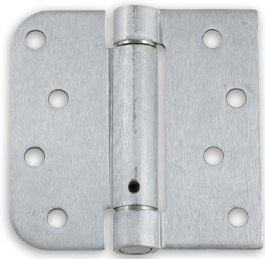
### SPECIFICATIONS

- #10 X 1/2" machine screw (10-24NC) standard (8 pcs).
- #10 x 3/4" wood screw standard (16 pcs)
- Gauge 0.106" Steel
- Bulk packaged 50 Pair / CTN, 50 lbs
- Specify LH or RH
- Priced & sold by the pair (2 Hinges)

Base Metal: Steel

| Description                  | Radius    |          | US15<br>Satin Nickel | US26D<br>Satin Chrome | US10B<br>Oil Rubbed Bronze |
|------------------------------|-----------|----------|----------------------|-----------------------|----------------------------|
| 4" x 4" Hinge for Castlegate | 5/8" x SQ | Item No. | RH4054               | RH4056                | RH4059                     |

## 4" X 4" 5/8R x SQ SPRING HINGE FOR CASTLEGATE



### SPECIFICATIONS

- #10 X 1/2" machine screw (10-24NC) standard (8 pcs)
- #10 x 3/4" wood screw standard (16 pcs)
- Box Pack: 1Pair (2 pcs) per box.  
20 Pair / CTN, 28 Lbs
- Gauge: 0.106" Steel
- Specify LH or RH
- Priced & sold by the pair (2 Hinges)

Base Metal: Steel

| Description                         | Radius    |          | US26D<br>Satin Chrome |
|-------------------------------------|-----------|----------|-----------------------|
| 4" x 4" Spring Hinge for Castlegate | 5/8" x SQ | Item No. | SP4056R* / SP4056L    |

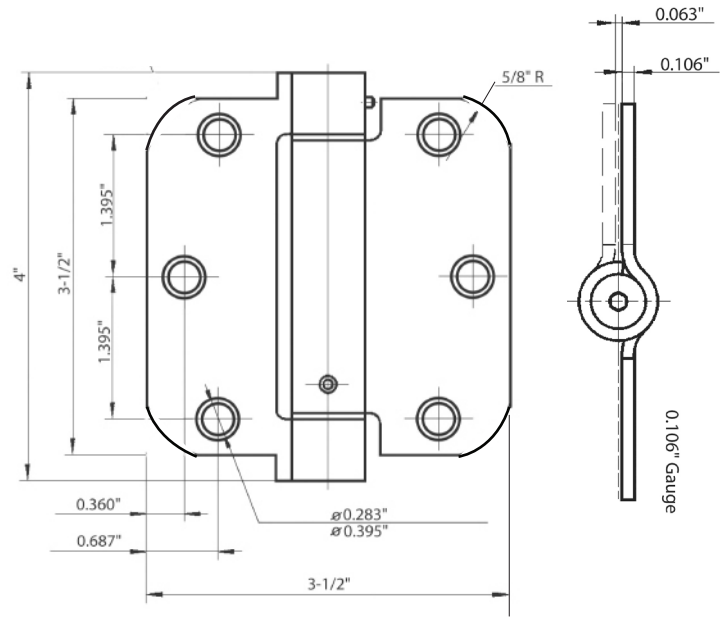
\*Special Order Product. Call Customer Service at 800-952-4430



## 3 1/2" X 3 1/2" SPRING HINGES

### SPECIFICATIONS

- #10 X 1/2" machine screw (10-24NC) standard
- #10 x 1" wood screw standard
- Box Pack: 1 Pair (2 pcs) per box.  
20 Pair / CTN, 28 Lbs
- Gauge: 0.106" Steel
- Priced and sold by the pair (2 Hinges)



Base Metal: Steel

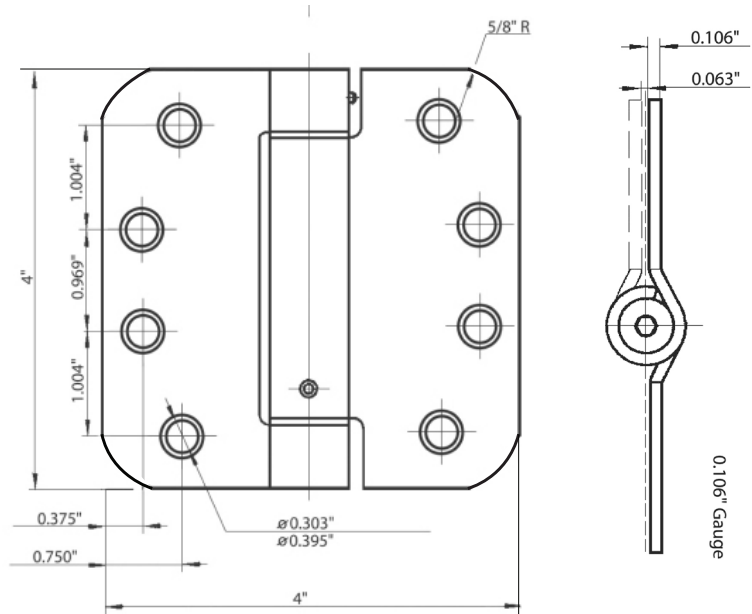
| Description                  | Radius |          | US26D<br>Satin Chrome | US10B<br>Oil Rubbed Bronze |
|------------------------------|--------|----------|-----------------------|----------------------------|
| 3 1/2" x 3 1/2" Spring Hinge | 5/8"   | Item No. | SP3506*               | SP3510*                    |

\*Special Order Product. Call Customer Service at 800-952-4430

## 4" X 4" SPRING HINGES

### SPECIFICATIONS

- #10 X 1/2" machine screw (10-24NC) standard
- #10 x 1" wood screw standard
- Box Pack: 1 Pair (2 pcs) per box  
20 Pair / CTN, 32 Lbs
- Gauge: 0.106" Steel
- Priced and sold by the pair (2 Hinges)



Base Metal: Steel

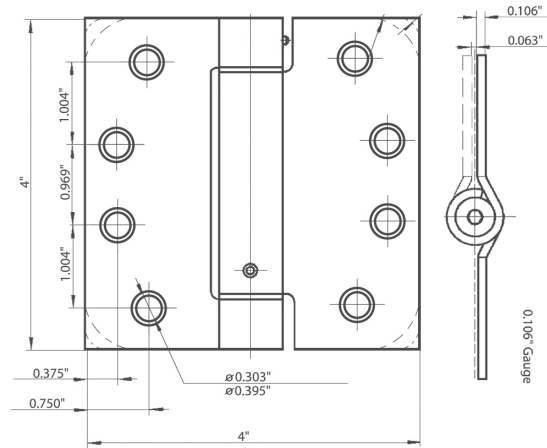
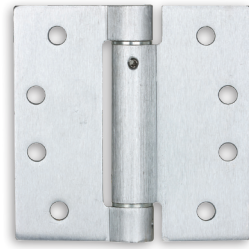
| Description          | Radius |          | US26D<br>Satin Chrome | US10B<br>Oil Rubbed Bronze |
|----------------------|--------|----------|-----------------------|----------------------------|
| 4" x 4" Spring Hinge | 5/8"   | Item No. | SP4506                | SP4510                     |

# DELANEY® RESIDENTIAL HINGES

## 4" X 4" SPRING HINGES

### SPECIFICATIONS

- #10 X 1/2" machine screw (10-24NC) standard.
- #10 x 1" wood screw standard.
- Box Pack: 1 Pair (2 pcs) per box.  
20 Pair / CTN, 32 Lbs
- Gauge: 0.106" Steel
- Priced and sold by the pair (2 Hinges)



Base Metal: Steel

| Description          | US26D<br>Satin Chrome | US10B<br>Oil Rubbed Bronze |
|----------------------|-----------------------|----------------------------|
| 4" x 4" Spring Hinge | Item No. SP4106       | SP4110*                    |

\*Special Order Product. Call Customer Service at 800-952-4430

## RESIDENTIAL HINGE SCREWS



Self Tapping Wood Screw

### PRICING (Per 100 Screws)

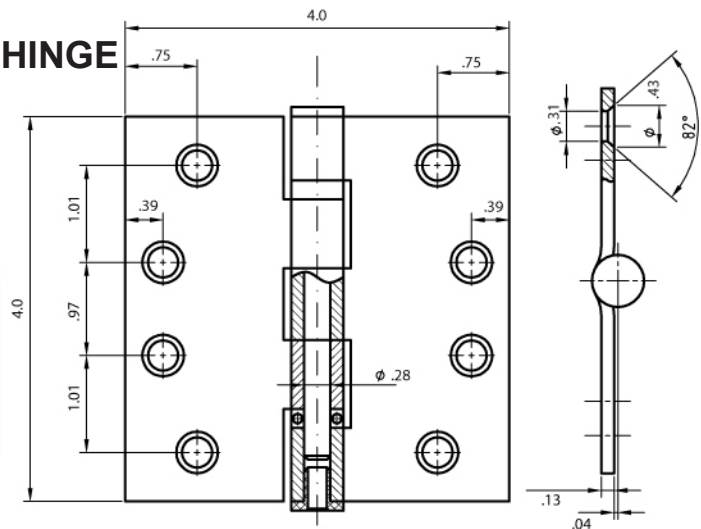
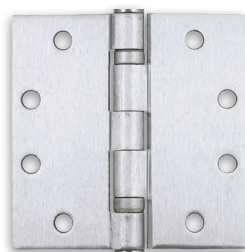
| Description         | Size      | US4              | USP     | US3     | US5     | US26D   | US26    | US15A   | US10B   | US15    | BL      |
|---------------------|-----------|------------------|---------|---------|---------|---------|---------|---------|---------|---------|---------|
| Self Tapping Screws | #9 x 3/4" | Item No. 109034* | —       | 139034* | 159034* | 169034* | 179034* | 189034* | 199034* | 199534* | 199520* |
| Self Tapping Screws | #9 x 1"   | Item No. 109010* | 119010* | 139010* | 159010* | 169010* | 179010* | 189010* | 199010* | 199510* | 199521* |

\*Special Order Product. Call Customer Service at 800-952-4430

## BALL BEARING 4" X 4" COMMERCIAL HINGE

### SPECIFICATIONS

- #10 X 1/2" Machine screws (12-24NC) standard
- #10 x 1 1/4" Wood screws standard
- Gauge 0.13" Steel
- Box packed 1.5 pair (3 pcs) per box.  
15 Pair / CTN, 20 Lbs
- Priced per pair (2 Hinges)
- Base Metal is Steel



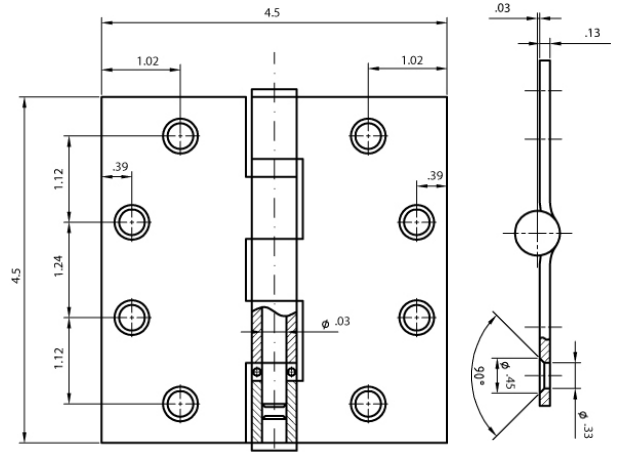
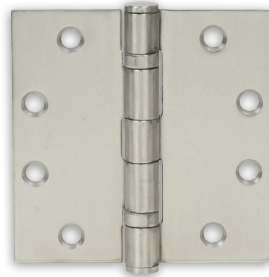
| Description   | US26D<br>Satin Chrome | US10B<br>Oil Rubbed Bronze |
|---|-----------------------|----------------------------|
| 4" x 4" Ball Bearing Hinge                            | Item No. CH4016       | CH4012                     |
| 4" x 4" Ball Bearing Hinge NRP<br>(Non-Removable Pin) | Item No. CN4016*      | CN4012*                    |

\*Special Order Product. Call Customer Service at 800-952-4430

## BALL BEARING 4 1/2" X 4 1/2" COMMERCIAL HINGE

### SPECIFICATIONS

- #10 X 1/2" Machine screws (12-24NC) standard
- #10 x 1 1/4" Wood screws standard
- Gauge 0.134" Steel
- Box packed 1.5 pair (3 pcs) per box  
15 Pair / CTN, 34 Lbs
- Priced per pair (2 Hinges)
- Base Metal is Steel or Satin Stainless Steel



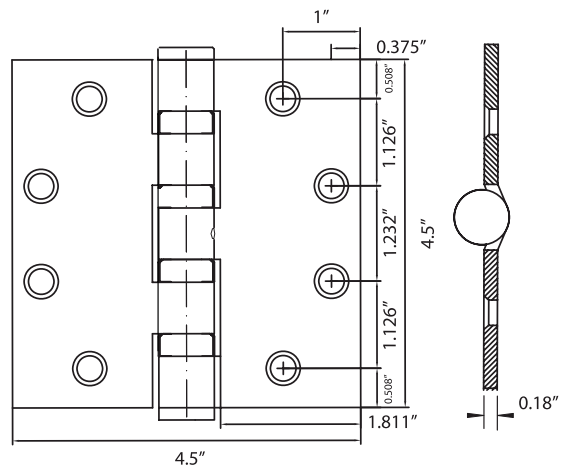
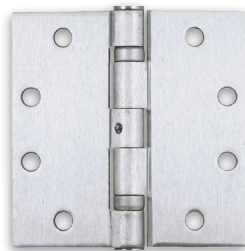
| Description   |          | US26D<br>Satin Chrome | US10B<br>Oil Rubbed<br>Bronze | US32D<br>Satin Stainless<br>Steel | US19<br>Matte<br>Black |
|---|----------|-----------------------|-------------------------------|-----------------------------------|------------------------|
| 4 1/2" x 4 1/2" Ball Bearing Hinge                            | Item No. | CH4516                | CH4512                        | CH4510                            | CH4519                 |
| 4 1/2" x 4 1/2" Ball Bearing Hinge NRP<br>(Non-Removable Pin) | Item No. | CN4516                | CN4512                        | CN4510                            | CN4519*                |

\*Special Order Product. Call Customer Service at 800-952-4430

## HEAVY DUTY BALL BEARING 4 1/2" X 4 1/2" COMMERCIAL HINGE

### SPECIFICATIONS

- #10 x 1/2" Machine Screws (12-24NC) standard
- #10 x 1 1/4" Wood Screws standard
- Gauge 0.18" Steel
- Box packed 1.5 pair (3 pcs) per box  
15 Pair / CTN, 34 Lbs
- Priced per pair (2 Hinges)
- Base Metal is Steel



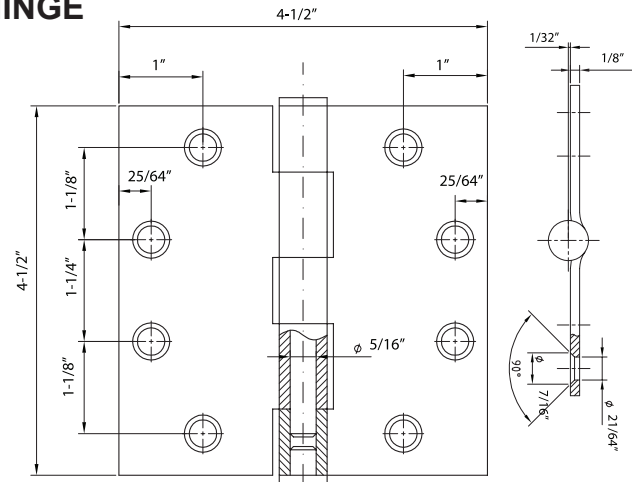
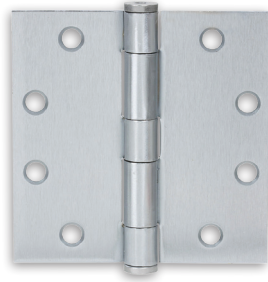
| Description  |          | US26D<br>Satin Chrome |
|--|----------|-----------------------|
| 4 1/2" x 4 1/2"<br>Heavy Duty 4 Ball Bearing Hinge NRP | Item No. | CH4616*               |

\*Special Order Product. Call Customer Service at 800-952-4430

## PLAIN BEARING 4½" X 4½" COMMERCIAL HINGE

### SPECIFICATIONS

- #12 x ½" Machine Screws (12-24NC) standard
- #12 x 1¼" Wood Screws standard
- Gauge 0.134" Steel
- Box packed 1.5 pair (3 pcs) per box  
15 Pair / CTN, 34 Lbs
- Priced per pair (2 Hinges)
- Base Metal is Steel



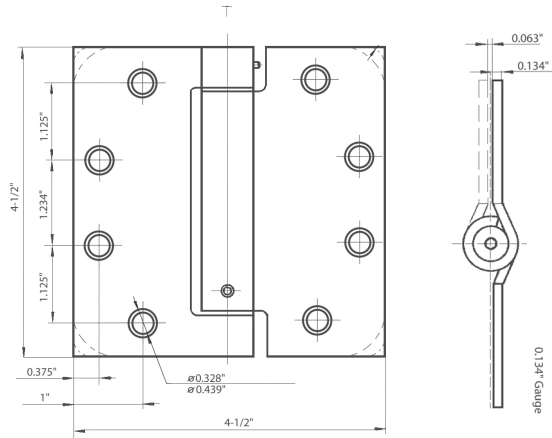
| Description                        |          | US26D<br>Satin Chrome |  |
|------------------------------------|----------|-----------------------|--|
| 4 ½" x 4 ½"<br>Plain Bearing Hinge | Item No. | CH4506*               |  |

\*Special Order Product. Call Customer Service at 800-952-4430

## SPRING HINGE 4½" X 4½"

### SPECIFICATIONS

- #12 X ½" Machine screws (12-24NC) standard
- #10 x 1¼" Wood screws standard
- Gauge 0.134" Steel
- Box packed 1 pair (2 pcs) per box  
20 Pair / CTN, 47 Lbs
- Priced per pair (2 Hinges)
- Base Metal is Steel



| Description            | Radius | Item No. | US26D<br>Satin Chrome | US10B<br>Oil Rubbed Bronze |
|------------------------|--------|----------|-----------------------|----------------------------|
| 4½" x 4½" Spring Hinge | Sq.    |          | SP5506                | SP5510                     |

## SPRING HINGE SIZING GUIDE

MAXIMUM DOOR SIZE RECOMMENDED 3'-0" WIDE X 7'-0" HIGH

| RECOMMENDED MAXIMUM DOOR WEIGHT (LBS.) |       |           | HINGE SELECTION |             |
|--|-------|-----------|-----------------|-------------|
| 3.5 X 3.5                              | 4 X 4 | 4.5 X 4.5 | SPRING HINGES   | BUTT HINGES |
| 50                                     | 60    | 70        | 1 EACH          | 2 EACH      |
| 70                                     | 85    | 115       | 2 EACH          | 1 EACH      |
| 90                                     | 110   | 150       | 3 EACH          | NONE        |

Wind Conditions, excessive air pressure on one side of an opening, weather stripping, or other adverse job conditions may require the use of all spring hinges. For maximum versatility use all spring hinges.





# COMMERCIAL

## Leversets

- Grade 1 Cylindrical Levers
- Grade 2 Cylindrical Levers
- Grade 2 Tubular Levers

## Deadbolts

- Grade 1
- Grade 2

## Exit Devices

- HD Grade 1 Rated & Non-Rated
- Grade 1 Rated & Non-Rated
- Exterior Trim

## Door Closers

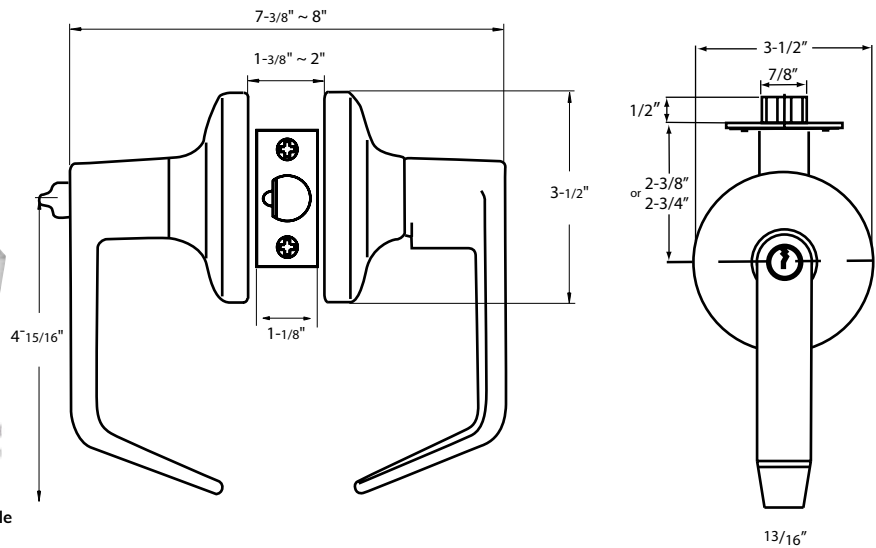
- 8000 Series
- 6000 Series
- 4400 Series
- Parts
- Door Hanging Guide

## Specifications

|                                     |   |                             |   |   |
|-------------------------------------|---|-----------------------------|---|---|
| <b>Door Prep</b>                    | Cross bore: 2-1/8"<br>Edge bore: 1"<br>Latch face: 1-1/8" x 2-1/4"<br>Dummies are surface mounted   | <b>Latches</b>              | Entrance: 2-3/4" (F9070T) standard. 2-3/8" (F9060T) optional<br>Pass/Priv: 2-3/4" (F9073T) standard 2-3/8" (F9063T) optional<br>Faceplate: 1-1/8" x 2-1/4" square corner<br>Bolt: 1/2" Satin Stainless Steel throw. Meets 3-Hr. Fire Rating |   |
| <b>Backset</b>                      | 2-3/4" UL Latch standard, 2-3/8" optional   | <b>Strikes</b>              | 4-7/8" ANSI Strike standard (9109)  |   |
| <b>Door Thickness</b>               | 1-3/8" ~ 2". Adjustable mounting plate  | <b>Door Handing</b>         | Not Required  |   |
| <b>Cylinder</b>                     | SC4 6-pin <b>standard</b> , KW1 5-pin optional<br>Entries packed KA2, SC1 5-pin optional  | <b>Interchangeable Core</b> | Optional small-format 6-pin available   |   |
| <b>ANSI &amp; Federal Standards</b> | <ul style="list-style-type: none"> <li>Meets &amp; exceeds requirements of BHMA/ANSI A156.2 Series 4000, GR1, 800,000 Cycles.</li> <li>Meets FF-H-106C Federal Standard.</li> </ul> | <b>Product Features</b>     | Independent Torsion Spring<br>Concealed Mounting Screws<br>Clutch Function  | Removable Through Bolts<br>Anti-Friction Latch Retractor<br>Panic Proof - Push/Turn |

## F SERIES - CT STYLE GRADE 1 CYLINDRICAL LEVER

Shown in Satin Chrome

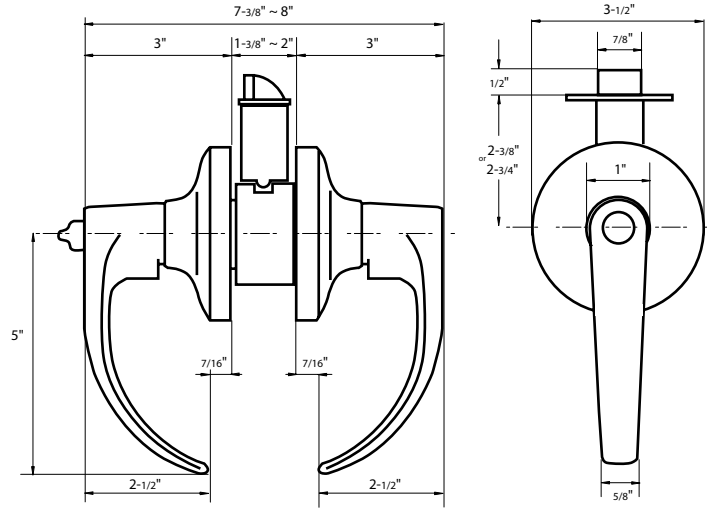


| Model    | Function  | WT/LB  | CTN QTY | Item No. | FC Series          |                         | FK Series - IC Core (Core not included) |                         |
|----------|-----------|--------|---------|----------|--------------------|-------------------------|---|-------------------------|
|          |           |        |         |          | US26D Satin Chrome | US10B Oil Rubbed Bronze | US26D Satin Chrome                      | US10B Oil Rubbed Bronze |
| 500-F-CT | Entrance  | 32 lb  | 6 Pcs   | Item No. | 3C6002*            | 3C6000*                 | 3K6002*                                 | 3K6000*                 |
| 504-F-CT | Storeroom | 32 lb  | 6 Pcs   | Item No. | —                  | 3C6040*                 | 3K6042*                                 | 3K6040*                 |
| 509-F-CT | Classroom | 32 lb  | 6 Pcs   | Item No. | 3C6092*            | —                       | 3K6092*                                 | 3K6090*                 |
| 501-F-CT | Passage   | 30 lb  | 6 Pcs   | Item No. | 3C6012*            | —                       | —                                       | —                       |
| 502-F-CT | Privacy   | 31 lb  | 6 Pcs   | Item No. | 3C6022*            | —                       | —                                       | —                       |
| 515-F-CT | Dummy     | 22 Lbs | 12 Pcs  | Item No. | 3C6052             | —                       | —                                       | —                       |

\*Special Order Product. Call Customer Service at 800-952-4430

## F SERIES - SD STYLE GRADE 1 CYLINDRICAL LEVER

Shown in Satin Chrome

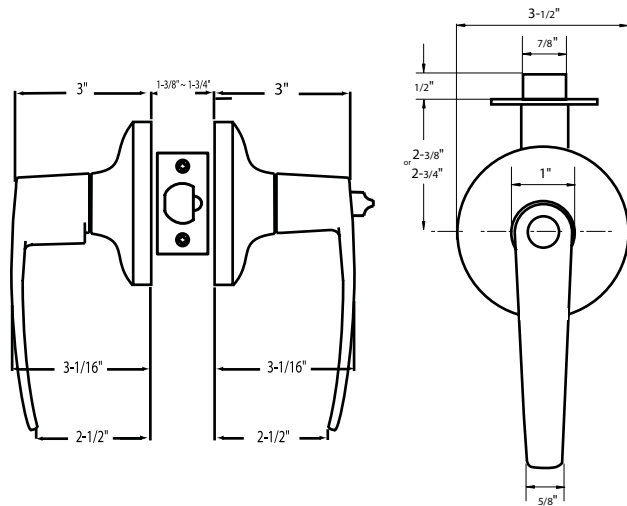


| Model    | Function  | WT/LB | CTN QTY |          | US26D<br>Satin Chrome | US10B<br>Oil Rubbed<br>Bronze |
|----------|-----------|-------|---------|----------|-----------------------|-------------------------------|
| 500-F-SD | Entrance  | 32 lb | 6 Pcs   | Item No. | 3C5002*               | 3C5000*                       |
| 504-F-SD | Storeroom | 32 lb | 6 Pcs   | Item No. | —                     | 3C5040*                       |

\*Special Order Product. Call Customer Service at 800-952-4430

## F SERIES - MD STYLE GRADE 1 CYLINDRICAL LEVER

Shown in Satin Chrome



| Model    | Function  | WT/LB | CTN QTY |          | US26D<br>Satin Chrome |
|----------|-----------|-------|---------|----------|-----------------------|
| 500-F-SD | Entrance  | 32 lb | 6 Pcs   | Item No. | 3N5002                |
| 504-F-SD | Storeroom | 32 lb | 6 Pcs   | Item No. | 3N5042                |

## Specifications

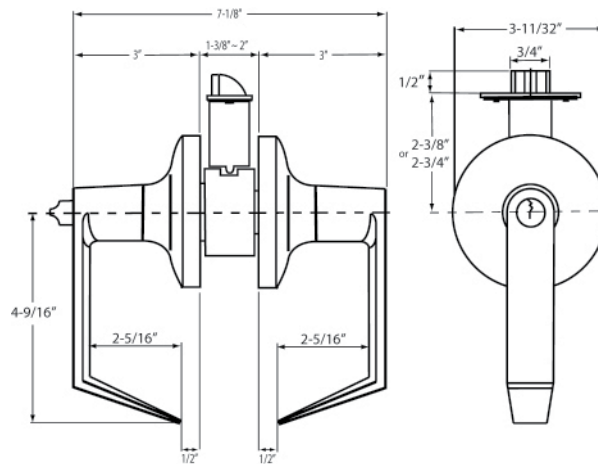
|                                     |  |                             |  |
|-------------------------------------|--|-----------------------------|--|
| <b>Door Prep</b>                    | Cross bore: 2-1/8"<br>Edge bore: 1"<br>Latch face: 2-3/4": 1-1/8" x 2-1/4"<br>2-3/8": 1" x 2-1/4"<br>Dummies are surface mounted | <b>Latches</b>              | Entrance: 2-3/4" (E9070T) standard. 2-3/8" (E9060T) optional<br>Pass/Priv: 2-3/4" (E9073T) standard. 2-3/8" (E9063T) optional<br>Faceplate: 2-3/4": 1-1/8" x 2-1/4". 2-3/8": 1" x 2-1/4" Sq. Corner<br>Bolt: 1/2" Satin Stainless Steel throw. Meets 3-Hr. Fire Rating |
| <b>Backset</b>                      | 2-3/4" UL Latch standard, 2-3/8" optional  | <b>Strikes</b>              | 4-7/8" ANSI Strike standard (9109)   |
| <b>Door Thickness</b>               | 1-3/8" ~ 2". Adjustable mounting plate   |                             |  |
| <b>Cylinder</b>                     | SC4 6-pin <b>standard</b> , KW1 5-pin optional<br>Entries packed KA2, SC1 5-pin optional   | <b>Interchangeable Core</b> | Optional small-format 6-pin available  |
| <b>ANSI &amp; Federal Standards</b> | Meets & exceeds requirements of BHMA/ANSI A156.2 Series 4000, GR2, 400,000 Cycles.<br>Meets FF-H-106C Federal Standard.          | <b>Product Features</b>     | Independent Torsion Spring<br>Concealed Mounting Screws<br>Clutch Function<br>Removable Through Bolts<br>Anti-Friction Latch Retractor<br>Panic Proof - Push/Turn  |

## E SERIES - CT STYLE GRADE 2 CYLINDRICAL LEVER

Shown in Satin Chrome



(SFIC) Interchangeable  
Core Available  
EC Series



| Model     | Function  | WT/LB | CTN QTY | Item No. | EV Series          | EC Series - IC Core (Core not included) |
|-----------|-----------|-------|---------|----------|--------------------|---|
|           |           |       |         |          | US26D Satin Chrome | US26D IC Core Satin Chrome              |
| 500-EV-CT | Entrance  | 29 lb | 6 Pcs   | Item No. | 3V5002             | 3V5102*                                 |
| 504-EV-CT | Storeroom | 29 lb | 6 Pcs   | Item No. | 3V5042             | 3V5142*                                 |
| 509-EV-CT | Classroom | 29 lb | 6 Pcs   | Item No. | 3V5092*            | 3V5192*                                 |
| 501-EV-CT | Passage   | 26 lb | 6 Pcs   | Item No. | 3V5012             | —                                       |
| 502-EV-CT | Privacy   | 28 lb | 6 Pcs   | Item No. | 3V5022             | —                                       |
| 515-EV-CT | Dummy     | 18 lb | 12 Pcs  | Item No. | 3V5052             | —                                       |

\*Special Order Product. Call Customer Service at 800-952-4430



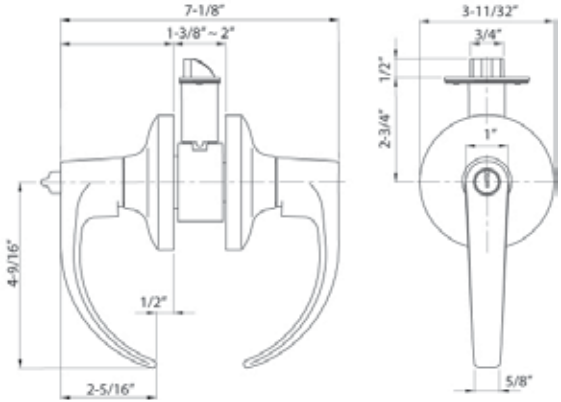
# DELANEY® LEVERSETS

## E SERIES - SD STYLE GRADE 2 CYLINDRICAL LEVER

Shown in Satin Chrome



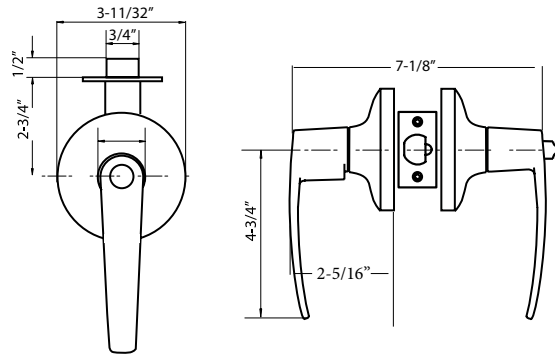
(SFC) Interchangeable  
Core Available  
EC Series



|           |           |       |         | EV Series             | EC Series - IC Core<br>(Core not included) |
|-----------|-----------|-------|---------|-----------------------|--|
| Model     | Function  | WT/LB | CTN QTY | US26D<br>Satin Chrome | US26D<br>IC Core<br>Satin Chrome           |
| 500-EV-SD | Entrance  | 29 lb | 6 Pcs   | Item No. 3S5002*      | 3S5102*                                    |
| 504-EV-SD | Storeroom | 29 lb | 6 Pcs   | Item No. 3S5042*      | 3S5142*                                    |
| 509-EV-SD | Classroom | 29 lb | 6 Pcs   | Item No. 3S5092*      | 3S5192*                                    |
| 501-EV-SD | Passage   | 26 lb | 6 Pcs   | Item No. 3S5012*      | —  |
| 502-EV-SD | Privacy   | 26 lb | 6 Pcs   | Item No. 3S5022*      | —  |
| 515-EV-SD | Dummy     | 18 lb | 12 Pcs  | Item No. 3S5052*      | —  |

\*Special Order Product. Call Customer Service at 800-952-4430

## E SERIES - MD STYLE GRADE 2 CYLINDRICAL LEVER



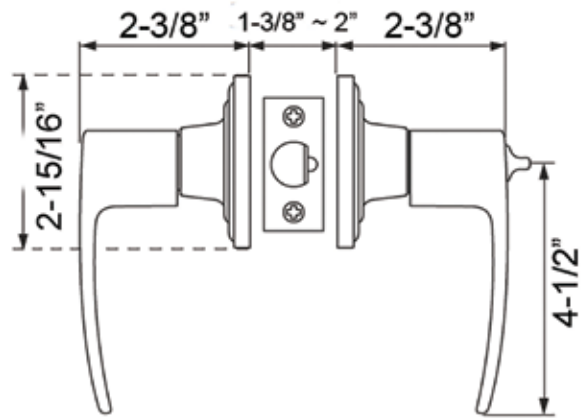
| Model     | Function  | WT/LB | CTN QTY | US26D<br>Satin Chrome | US19<br>Matte Black |
|-----------|-----------|-------|---------|-----------------------|---------------------|
| 500-EV-MD | Entrance  | 29 lb | 6 Pcs   | Item No. 3M5002       | 3M5009              |
| 504-EV-MD | Storeroom | 29 lb | 6 Pcs   | Item No. 3M5042       | 3M5049              |
| 509-EV-MD | Classroom | 29 lb | 6 Pcs   | Item No. 3M5092       | 3M5089              |
| 501-EV-MD | Passage   | 26 lb | 6 Pcs   | Item No. 3M5012       | 3M5019              |
| 502-EV-MD | Privacy   | 26 lb | 6 Pcs   | Item No. 3M5022       | 3M5029              |
| 515-EV-MD | Dummy     | 18 lb | 12 Pcs  | Item No. 3M5052       | 3M5059              |

## Specifications

|                                     |   |                         |   |
|-------------------------------------|---|-------------------------|---|
| <b>Door Prep</b>                    | Cross bore: 2-1/8"<br>Edge bore: 1"<br>Latch face: 1" x 2-1/4"  | <b>Latches</b>          | Entrance: 2-3/8" & 2-3/4" adjustable (9060 UL)<br>Passage/Privacy: 2-3/8" & 2-3/4" adjustable (9064)<br>Faceplate: 1" x 2-1/4" round corner<br>Bolt: 1/2" throw. Meets 3-Hr Fire Rating |
| <b>Backset</b>                      | Adjustable 2-3/8" and 2-3/4"  | <b>Strikes</b>          | 1-1/8" x 2-3/4" T-strike (9101)   |
| <b>Door Thickness</b>               | 1-3/8" ~ 2"   | <b>Door Handing</b>     | Not Required  |
| <b>Cylinder</b>                     | CT/MD: SC4 6-pin <b>standard</b> . KW1 5-pin optional<br>Entries packed KA2, SC1 5-pin optional<br>Regency/Ansley: KW1 5-pin <b>standard</b> . SC4 6-pin optional, SC1 5-pin optional | <b>Product Features</b> | Concealed Mounting Screws<br>Protective Sleeve<br>Interlocking Screw Posts<br>Push Button Locking<br>GR2 Regency Lever- Turn Locking<br>Panic Proof                                     |
| <b>ANSI &amp; Federal Standards</b> | Meets requirements of BHMA/ANSI A156.2 Series 4000, GR2, 400,000 Cycles.  |                         |   |

## RH SERIES - MD STYLE GRADE 2 TUBULAR LEVER

Shown in Satin Chrome

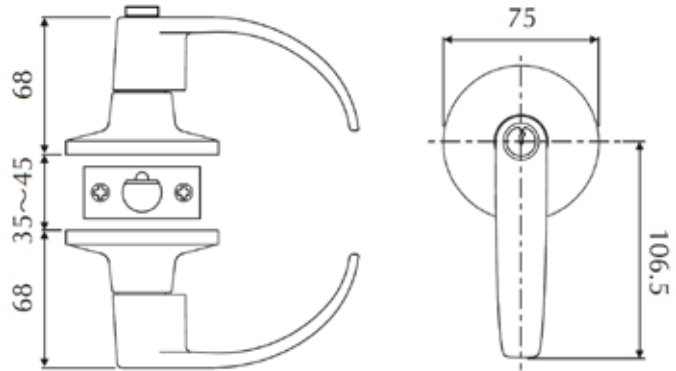


| Model     | Function  | WT/LB | CTN QTY | US26D<br>Satin Chrome |         |
|-----------|-----------|-------|---------|-----------------------|---------|
| 500-RH-MD | Entrance  | 29 lb | 10 Pcs  | Item No.              | 321522* |
| 504-RH-MD | Storeroom | 29 lb | 10 Pcs  | Item No.              | 326522* |
| 509-RH-MD | Classroom | 29 lb | 10 Pcs  | Item No.              | 329522* |
| 501-RH-MD | Passage   | 26 lb | 10 Pcs  | Item No.              | 324522* |
| 502-RH-MD | Privacy   | 26 lb | 10 Pcs  | Item No.              | 322522* |
| 515-RH-MD | Dummy     | 18 lb | 20 Pcs  | Item No.              | 325522* |

\*Special Order Product. Call Customer Service at 800-952-4430

## RH SERIES - SD STYLE GRADE 2 TUBULAR LEVER

Shown in Satin Chrome



| Model     | Function  | WT/LB | CTN QTY | US26D<br>Satin Chrome |         |
|-----------|-----------|-------|---------|-----------------------|---------|
| 500-RH-SD | Entrance  | 29 lb | 10 Pcs  | Item No.              | 371322* |
| 504-RH-SD | Storeroom | 29 lb | 10 Pcs  | Item No.              | 376322* |
| 509-RH-SD | Classroom | 29 lb | 10 Pcs  | Item No.              | 379322* |
| 501-RH-SD | Passage   | 26 lb | 10 Pcs  | Item No.              | 374322* |
| 502-RH-SD | Privacy   | 26 lb | 10 Pcs  | Item No.              | 372322* |
| 515-RH-SD | Dummy     | 18 lb | 20 Pcs  | Item No.              | 375322* |

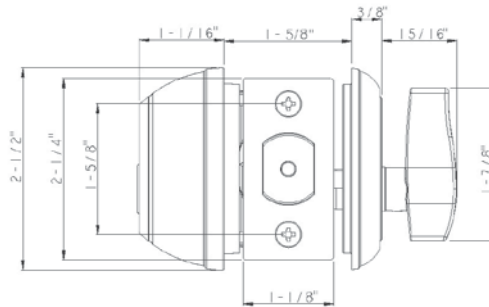
\*Special Order Product. Call Customer Service at 800-952-4430

# DELANEY® DEADBOLTS

## Specifications

|                             |  |                         |  |
|-----------------------------|--|-------------------------|--|
| <b>Door Prep</b>            | Cross bore: 2-1/8"<br>Edge bore: 1"<br>Latch face: 2-3/4: 1-1/8" x 2-1/4". 2-3/8": 1" x 2-1/4" | <b>Latches</b>          | Deadbolt: 2-3/4" (9058) standard, 2-3/8" (9057) optional<br>Faceplate: 2-3/4: 1-1/8" x 2-1/4". 2-3/8" 1" x 2-1/4" Sq. Corner<br>Bolt: Full 1" throw. 3 Hr. Fire Rating |
| <b>Backset</b>              | 2-3/4" UL Latch standard, 2-3/8" optional  | <b>Strikes</b>          | 1-1/8" x 2-1/4" (9121). Includes reinforcement plate   |
| <b>Door Thickness</b>       | 1-9/16" ~ 2" door standard   | <b>Screws</b>           | Combination screws that suit both wood or metal door mounting<br>Includes 3" Security Screws   |
| <b>Interchangeable Core</b> | Optional small-format 6-pin or 7-pin available   | <b>Product Features</b> | Protection Sleeve<br>Hardened Steel Rod Latch Insert<br>Free Spinning Cylinder Collar  |

### LM SERIES - GRADE 1 COMMERCIAL DEADBOLT



LM - SINGLE CYLINDER (200)



Shown in Satin Chrome



(SFIC) Interchangeable  
Core Available

| Model                       | Function                                      | WT/LB | CTN QTY | US26D - Satin Chrome |          |
|-----------------------------|---|-------|---------|----------------------|----------|
| 200 LM-IC<br>Removable Core | Single Cylinder Removable Core<br>(less core) | 41 lb | 12 Pcs  | Item No.             | 301702*  |
| Core Only                   | 6-Pin SFIC Core Only                          | 5 lb  | 10 Pcs  | Item No.             | 300600C* |

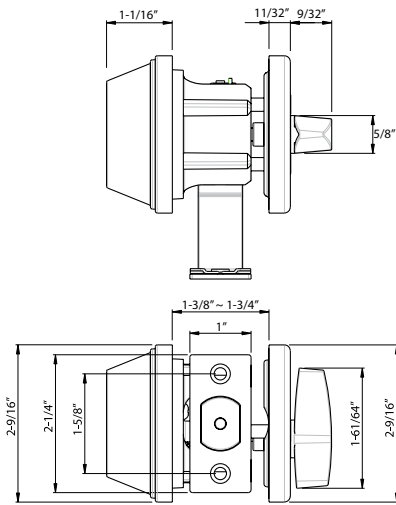
\*Special Order Product. Call Customer Service at 800-952-4430

## Specifications

|                             |  |                         |  |
|-----------------------------|--|-------------------------|--|
| <b>Door Prep</b>            | Cross bore: 2-1/8"<br>Edge bore: 1"<br>Latch face: 1" x 2-1/4"                     | <b>Latches</b>          | Deadbolt: 2-3/8" & 2-3/4" adjustable (9091 UL)<br>Faceplate: 1" x 2-1/4" square corner<br>Bolt: Full 1" throw. 3-Hr. Fire Rating |
| <b>Backset</b>              | Fits 2-3/8" and 2-3/4"   | <b>Strikes</b>          | 1-1/8" x 2-3/4" (9111). Includes reinforcement plate   |
| <b>Door Thickness</b>       | 1-3/8" ~ 1-3/4" door standard  | <b>Door Handing</b>     | Not Required   |
| <b>Cylinder</b>             | SC4 6-pin standard. KW1 5-pin optional<br>Deadbolts packed KA2, SC1 5-pin optional | <b>Screws</b>           | Combination screws that suit both wood or metal door mounting<br>Includes 3" Security Screws                                     |
| <b>Interchangeable Core</b> | Optional small-format 6-pin available  | <b>Product Features</b> | Protection Sleeve<br>Free Spinning Cylinder Collar<br>Hardened Steel Rod Latch Insert  |

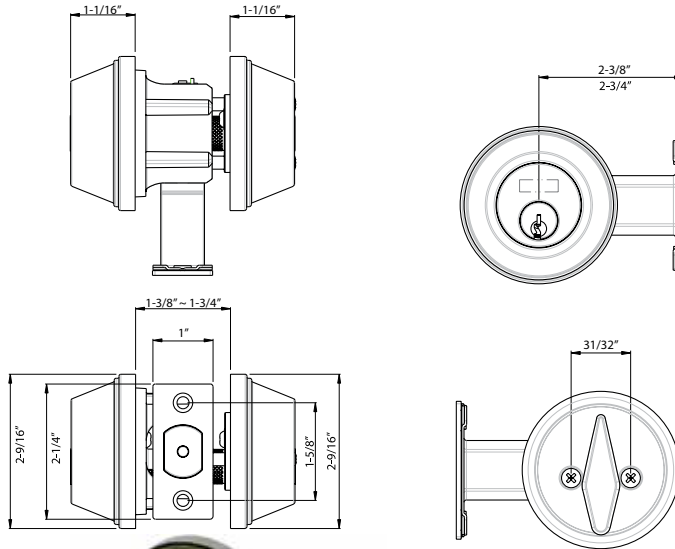
## LU SERIES - GRADE 2 COMMERCIAL DEADBOLT

LU - SINGLE CYLINDER (200)



LU - SINGLE CYLINDER (200)  
Shown in Satin Stainless Steel

LU - DOUBLE CYLINDER (210)

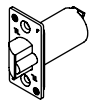
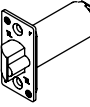
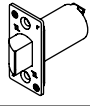
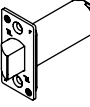
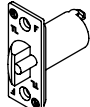
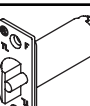
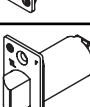
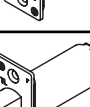

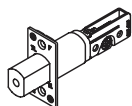
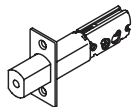


LU IC - SINGLE CYLINDER - IC CORE  
Shown in Satin Stainless Steel

| Model  | Function        | WT/LB | CTN QTY | US32D Satin Stainless Steel |
|--------|-----------------|-------|---------|-----------------------------|
| 200 LU | Single Cylinder | 21 lb | 20 Pcs  | Item No. 300602             |
| 210 LU | Double Cylinder | 34 lb | 20 Pcs  | Item No. 320601*            |

\*Special Order Product. Call Customer Service at 800-952-4430

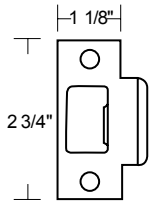
## COMMERCIAL LATCHES

|   | Model   | Function                                       | Description  | CTN QTY | WT/CTN | Item No.                      |
|---|---------|--|--|---------|--------|-------------------------------|
|    | F9060T  | G1 UL Latch for Entrance, Storeroom, Classroom | 2 3/8" Backset US26D<br>2 3/8" Backset US3<br>2 3/8" Backset US10B                   | 10 Pcs  | 6 Lbs  | 781311*<br>781313<br>781310*  |
|    | F9070T  |  | 2 3/4" Backset US26D<br>2 3/4" Backset US3<br>2 3/4" Backset US10B                   | 10 Pcs  | 6 Lbs  | 781301*<br>781303<br>781300*  |
|    | F9063T  | G1 UL Latch for Privacy, Passage               | 2 3/8" Backset US26D<br>2 3/8" Backset US3<br>2 3/8" Backset US10B                   | 10 Pcs  | 6 Lbs  | 781331*<br>781333<br>781330*  |
|    | F9073T  |  | 2 3/4" Backset US26D<br>2 3/4" Backset US3<br>2 3/4" Backset US10B                   | 10 Pcs  | 6 Lbs  | 781321*<br>781323<br>781320*  |
|    | E9060T  | G2 UL Latch for Entrance, Storeroom, Classroom | 2 3/8" Backset US26D<br>2 3/8" Backset US3<br>2 3/8" Backset US10B                   | 10 Pcs  | 5 Lbs  | 781381<br>781383*<br>781380*  |
|   | E9070T  |  | 2 3/4" Backset US26D<br>2 3/4" Backset US3<br>2 3/4" Backset US10B                   | 10 Pcs  | 5 Lbs  | 781341<br>781343*<br>781340   |
|  | E9063T  | G2 UL Latch for Privacy, Passage               | 2 3/8" Backset US26D<br>2 3/8" Backset US3<br>2 3/8" Backset US10B                   | 10 Pcs  | 5 Lbs  | 781281<br>781283*<br>781280*  |
|  | E9073T  |  | 2 3/4" Backset US26D<br>2 3/4" Backset US3<br>2 3/4" Backset US10B                   | 10 Pcs  | 5 Lbs  | 781241*<br>781243*<br>781240* |
|  | 1180    |  | Latch Front Adaptor<br>(Convert 1" Width Latch Faceplate for 1-1/8" Wide Door Preps) | 10 Pcs  | 1 Lbs  | 781101*                       |
|  | 9057    | G1 UL Latch for Deadbolt                       | 2-3/8" Backset US26D<br>2-3/8" Backset US10B   | 10 pcs  | 5 Lbs  | 781481*<br>781480*            |
|   | 9058    |  | 2-3/4" Backset US26D<br>2-3/4" Backset US10B   | 10 Pcs  | 5 Lbs  | 781441*<br>781440*            |
|  | 9091 UL | G2 UL Latch for Deadbolt                       | Adjustable Backset US26D<br>Adjustable Backset US10B                                 | 10 Pcs  | 5 Lbs  | 781411<br>781410              |

\*Special Order Product. Call Customer Service at 800-952-4430




















For faceplate dimensions see individual product specification tables.

## COMMERCIAL STRIKES

| Model   | Description  | Item No. | CTN QTY | WT/CTN |
|---|--|----------|---------|--------|
|  | 9106<br><br>T-Type Strike 2-3/4" x 1-1/8" US10B<br><br>*Supplied Standard with RH, EA, and IL Series | 785050*  | 800 Pcs | 161 lb |

\*Strike Plates do not include screws when purchased separately from locksets

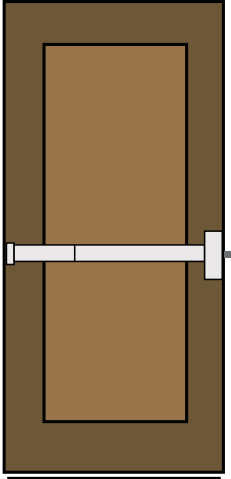
## FUNCTION GUIDE LEVERS, KNOBS, & DEADBOLTS

|   |   |   |  |
|---|---|---|--|
|   | <b>500/100 ENTRANCE (ANSI F109)</b><br>Pushing turn-button in inside lever locks outside lever. Turning inside lever or operating key in outside lever releases button automatically. Closing door does not release button. Button is fixed in the locked position by turning to horizontal position. |   | <b>514 INSTITUTION (ANSI F87)</b><br>Both inside and outside lever always locked. Dead locking latch bolt operated by key on either side.  |
|  | <b>501/101 PASSAGE (ANSI F75)</b><br>Latch bolt operated by lever or knob from either side at all times.  |  | <b>515/115 SINGLE DUMMY</b><br>Decorative trim that is non-functional.   |
|  | <b>502/102 PRIVACY (ANSI F76)</b><br>Latch bolt operated by lever from either side. Outside lever is locked by push button inside and unlocked by emergency release outside, rotating inside lever, or closing door.  |  | <b>517/117 ENTRANCE/OFFICE (ANSI F82)</b><br>Pushing button in inside lever locks outside lever. Turning inside lever or operating key in outside lever releases button automatically. Closing door does not release button. |
|  | <b>504/104 STOREROOM (ANSI F86)</b><br>Deadlocking latch bolt operated by key in outside lever or rotating inside lever. Outside lever is always locked.  |  | <b>519 INTRUDER/CLASSROOM (ANSI F110)</b><br>Both sides lock or unlock outside lever with key. Inside lever always unlocked.   |
|  | <b>506/106 PATIO (ANSI F77)</b><br>Operated by either side lever unless outside locked by push button inside. Unlocks by turning inside lever or closing door.  |  | <b>521 CORRIDOR (ANSI F90)</b><br>Operated by either side lever unless outside locked by key or inside push button. Unlocked by key, turning inside lever, or closing door.  |
|  | <b>507/107 EXIT NON-KEY (ANSI F111)</b><br>Blank plate outside. Inside lever always unlocked.   |  | <b>200 SINGLE CYLINDER</b><br>deadbolt thrown or retracted by key on the outside or by inside turn unit. Bolt automatically deadlocks when thrown.   |
|  | <b>508/108 DOUBLE CYLINDER (ANSI F91)</b><br>Deadlocking latch operated by either lever. Key either locks or unlocks both levers.   |  | <b>205 ONE SIDED HALF BORE</b><br>Deadbolt thrown by inside turn unit, bolt automatically deadlocks when fully thrown.   |
|  | <b>509/109 CLASSROOM (ANSI F84)</b><br>Deadlocking latch bolt operated by key in outside lever or rotating inside lever. Outside lever locked or unlocked by key. Inside lever is always unlocked.  |  | <b>206 ONE SIDED FULL BORE</b><br>Deadbolt thrown by inside turn unit, bolt automatically deadlocks when fully thrown. Blank plate outside.  |
|  | <b>511/111 EXIT WITH KEY (ANSI F113)</b><br>Blank plate inside. Locked or unlocked by key from outside.   |  | <b>210 DOUBLE CYLINDER</b><br>Deadbolt thrown or retracted by key on either side. Bolt automatically deadlocks when full thrown.   |
|  | <b>512 COMMUNICATING (ANSI F80)</b><br>Key locks or unlocks either lever independently of the other.  |   |  |

## EXIT DEVICE APPLICATION GUIDE

### STANDARD APPLICATIONS

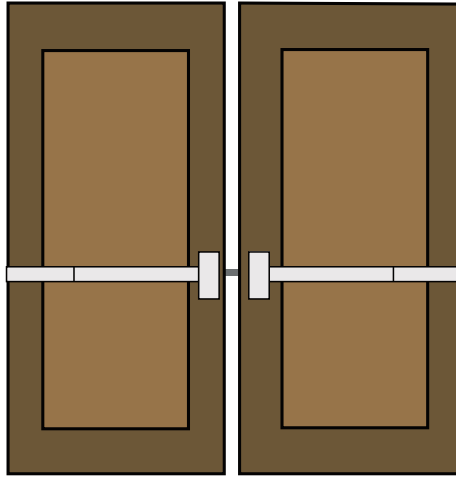
**Single Door**



**Rim Type**

8000/F8000 Series  
9000/F9000 Series

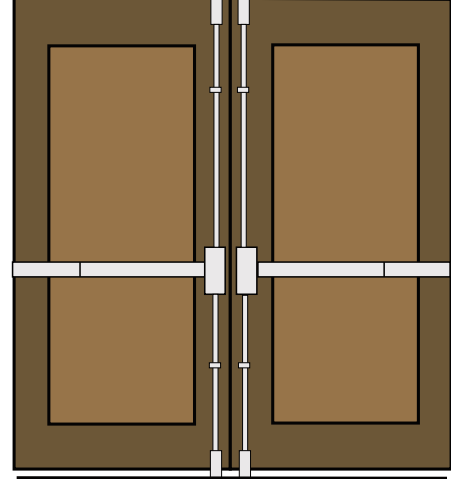
**Double Door with Mullion**



**2 Rim Type**

8000/F8000 Series  
9000/F9000 Series

**Double Door without Mullion**

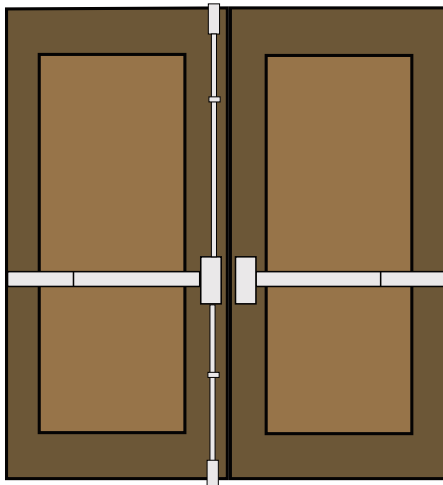


**2 Vertical Rod Type**

8100, F8100 Series, or F8100 LBR  
9100, F9100 Series, or F9100 LBR  
(Overlapping Strike & Door Coordinator Recommended)

### SPECIALTY APPLICATIONS

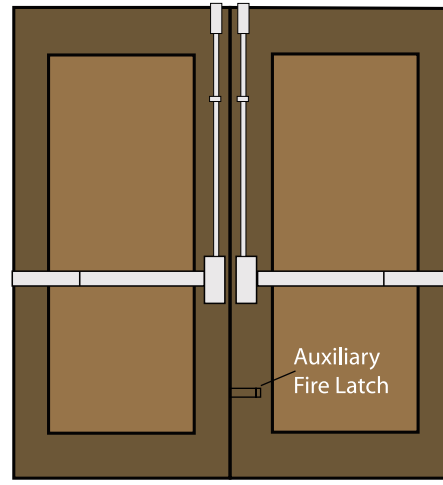
**Double Door without Mullion**



**1 Vertical Rod & 1 Rim Type**

8100, F8100, or F8100 LBR and  
8000 or F8000 Series  
9100, F9100, or F9100 LBR and  
9000 or F9000 Series

**Double Door without Mullion**



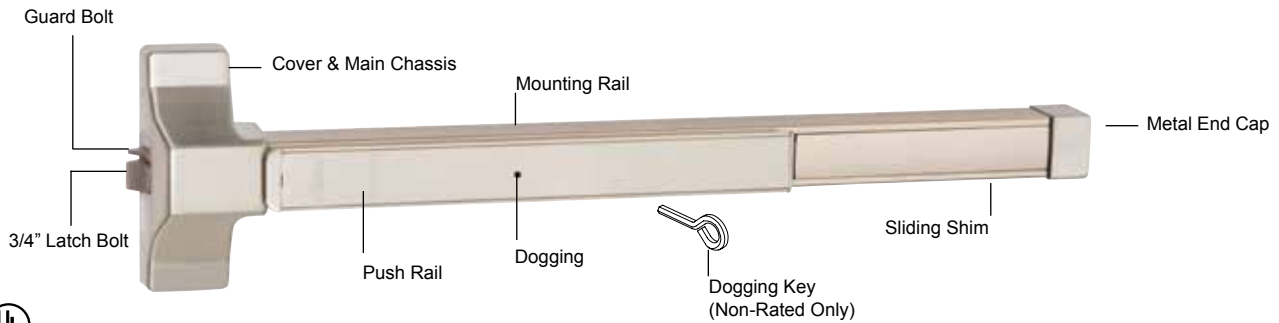
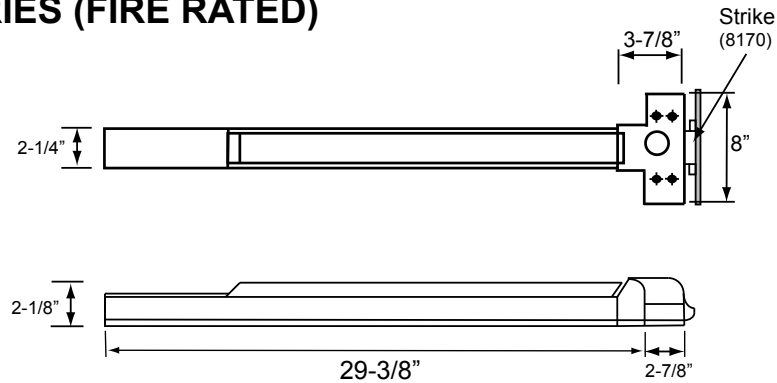
**2 Vertical Rod Less Bottom Rod**

F8100 LBR Series  
F9100 LBR Series



## 9000 SERIES / F9100 SERIES (FIRE RATED) GRADE 1 HEAVY DUTY RIM TYPE EXIT DEVICE

Shown in Satin Stainless Steel



### Specifications

**10 YEAR  
WARRANTY**

|   |   |                         |  |
|---|---|-------------------------|--|
| <b>Applications</b>                         | Offices, Schools, Hospitals, Apartments, Hotel/ Motels & other Public Buildings               | <b>Mounting</b>         | Furnished standard with wood & machine screws<br>Sex nuts and bolts (1346) optional  |
| <b>Door Thickness</b>                       | 1-3/4" ~ 2" standard, 2-1/4" optional   | <b>Latchbolt</b>        | Zinc with 3/4" throw   |
| <b>Door Size</b>                            | 33" to 36". Bar can be easily field cut to size   | <b>Latchbolt Spring</b> | Satin Satin Stainless Steel throughout   |
| <b>Stile Width</b>                          | Rim: 4-1/2" minimum stile width required<br>Vertical Rod: 3-1/2" minimum stile width required | <b>Strike</b>           | <b>9000 Series (Non-Rated)</b><br>#8170 Steel Roller Strike 2-3/4" Backset<br>Optional Strike #8070 for 2-3/8" Backset<br>4-7/8 Blank Strike & 161 Edge Filler |
| <b>Chassis, End Cap &amp; Rail Assembly</b> | Painted Steel (Alum & Duro) or Satin Satin Stainless Steel (US32D)                            |                         | <b>F9000 Series (Fire Rated)</b><br>#8070 Steel Roller Strike — 2-3/4" or 2-3/8" Backset<br>4-7/8" Blank Strike & 161 Edge Filler                              |
| <b>UL Listed</b>                            | Complies with UL 305 standards. Listed for safety as Panic Hardware                           |                         |  |
| <b>Rating</b>                               | ANSI 156.3 Grade 1  |                         |  |
| <b>Door Prep</b>                            | Will cover stock hollow metal doors with 161 cutout   | <b>Cover</b>            | Zinc Alloy   |
|   |   | <b>Handing</b>          | Non-Handed   |

### 9000 SERIES (NON-RATED) PANIC HARDWARE

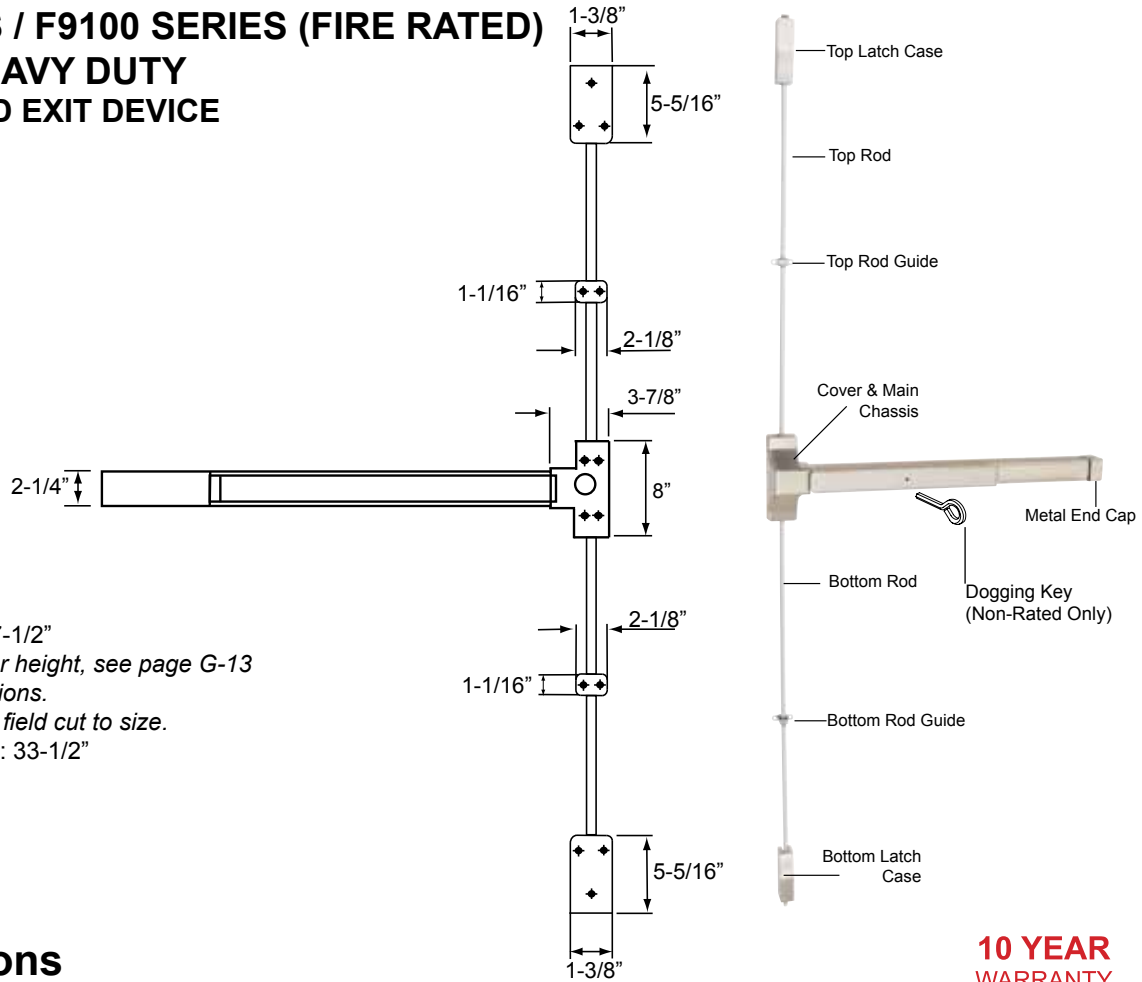
| Model      | Description   | WT/<br>CTN | QTY/<br>CTN |          | US28<br>Satin Aluminum | US32D<br>Satin Stainless Steel |
|------------|---|------------|-------------|----------|------------------------|--------------------------------|
| 9000-36 AL | HD Rim Type Device for 36" Door with Alarm Kit "C" Cylinder   | 46 lb      | 4           | Item No. | 691300C                | 691301C                        |
| 9000-36 AL | HD Rim Type Device for 36" Door with Alarm Kit "KW1" Cylinder | 46 lb      | 4           | Item No. | 691300K                | 691301K                        |

### F9000 SERIES (FIRE RATED) HARDWARE

| Model    | Description                          | WT/<br>CTN | QTY/<br>CTN |          | US28<br>Satin Aluminum | US32D<br>Satin Stainless Steel |
|----------|--------------------------------------|------------|-------------|----------|------------------------|--------------------------------|
| F9000-36 | HD Fire Rim Type Device for 36" Door | 46 Lbs     | 4           | Item No. | 693300*                | —                              |
| F9000-48 | HD Fire Rim Type Device for 48" Door | 48 Lbs     | 4           | Item No. | —                      | 693302*                        |

\*Special Order Product. Call Customer Service at 800-952-4430

## 9100 SERIES / F9100 SERIES (FIRE RATED) GRADE 1 HEAVY DUTY VERTICAL ROD EXIT DEVICE



Top Rod Length: 37-1/2"  
 For 96" or 120" door height, see page G-13  
 for Top Rod Extensions.  
 All Top Rods easily field cut to size.  
 Bottom Rod Length: 33-1/2"  
 1/2" Round Tubing



### Specifications

**10 YEAR  
WARRANTY**

|  |   |                         |   |
|--|---|-------------------------|---|
| <b>Applications</b>                        | Offices, Schools, Hospitals, Apartments, Hotel/Motels & other Public Buildings            | <b>Latchbolt</b>        | Zinc  |
| <b>Door Size</b>                           | 33" to 36" x 84". Top Rod Extension Available (up to 10')<br>Bar easily field cut to size | <b>Latchbolt Spring</b> | Satin Satin Stainless Steel throughout  |
| <b>Stile Width</b>                         | 3-1/2" minimum stile width required   | <b>Strike</b>           | <b>9100 Series (Non-Rated)</b><br>#8171 Steel Strike for Top Case<br>#8172 Zinc Strike for Bottom Case<br>#8285 Overlapping Strike    |
| <b>Chasis, End Cap &amp; Rail Assembly</b> | Painted Steel (Alum & Duro) or Satin Satin Stainless Steel (US32D)                        |                         | <b>F9100 Series (Fire Rated)</b><br>#8171 Steel Strike for Top Case<br>#8178 Steel Strike for Bottom Case<br>#8285 Overlapping Strike |
| <b>UL Listed</b>                           | Complies with UL 305 standards<br>Listed for safety as Panic Hardware                     | <b>Cover</b>            | Zinc Alloy  |
| <b>Door Prep</b>                           | Will cover stock hollow metal doors with 161 cutout                                       | <b>Door Thickness</b>   | 1-3/4" ~ 2" standard, 2-1/4" optional   |
| <b>Mounting</b>                            | Furnished standard with wood & machine screws<br>Sex nuts and bolts (1346) optional       |                         |   |

### 9100 SERIES (NON-RATED) PANIC HARDWARE

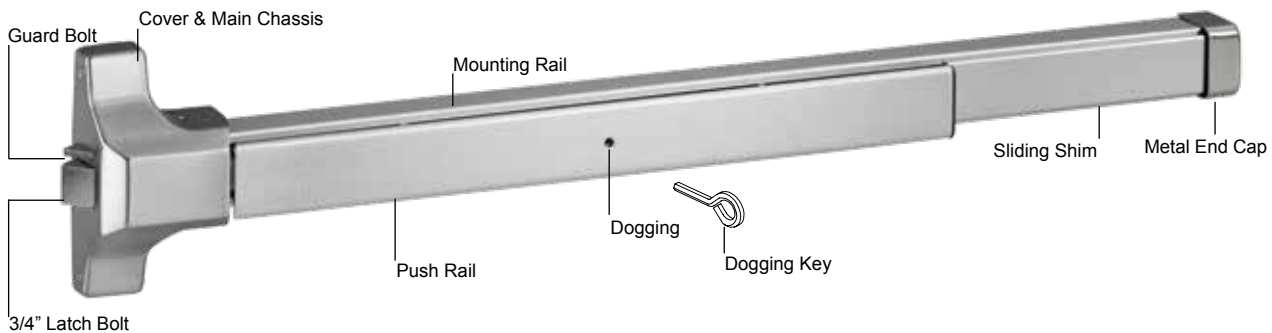
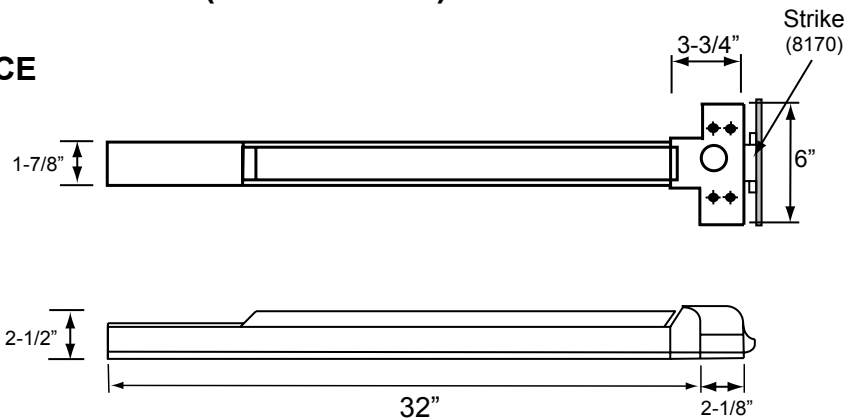
| Model     | Description                                    | WT/<br>CTN | QTY/<br>CTN | US32D<br>Satin Stainless Steel |
|-----------|--|------------|-------------|--------------------------------|
| 9100-3684 | HD Vertical Rod Type Device for 36" X 84" Door | 62 lb      | 4           | Item No. 692301                |

### F9100 SERIES (FIRE RATED)

| Model      | Description   | WT/<br>CTN | QTY/<br>CTN | US28<br>Satin Aluminum |
|------------|---|------------|-------------|------------------------|
| F9100-3684 | HD Fire Vertical Rod Type Device for 36" X 84" Door | 62 lb      | 4           | Item No. 694300        |

## 8000 SERIES / F8000 SERIES (FIRE RATED) GRADE 1 RIM TYPE EXIT DEVICE

Shown in Satin Aluminum



### Specifications

**10 YEAR  
WARRANTY**

|   |  |                         |  |
|---|--|-------------------------|--|
| <b>Applications</b>                         | Offices, Schools, Hospitals, Apartments, Hotel/Motels & other Public Buildings | <b>Mounting</b>         | Furnished standard with wood & machine screws<br>Sex nuts and bolts (1346) optional.   |
| <b>Door Thickness</b>                       | 1-3/4" ~ 2" standard, 2-1/4" optional  | <b>Latchbolt</b>        | Zinc with 3/4" throw   |
| <b>Door Size</b>                            | 33" to 36". Bar can be easily field cut to size                                | <b>Latchbolt Spring</b> | Satin Satin Stainless Steel throughout   |
| <b>Stile Width</b>                          | 4-1/2" minimum stile width required  | <b>Guard Bolt</b>       | Satin Satin Stainless Steel  |
| <b>Chassis, End Cap &amp; Rail Assembly</b> | Painted Steel (Alum & Duro) or Satin Satin Stainless Steel (US32D)             | <b>Strike</b>           | <b>8000 Series (Non-Rated)</b><br>#8170 Steel Roller Strike 2-3/4" Backset<br>Optional Strike #8070 for 2-3/8" Backset<br><b>F8000 Series (Fire Rated)</b><br>#8070 Steel Roller Strike — 2-3/4" or 2-3/8" Backset |
| <b>UL Listed</b>                            | Complies with UL 305 standards<br>Listed for safety as Panic Hardware          | <b>Cover</b>            | Zinc Alloy   |
| <b>Rating</b>                               | ANSI 156.3 Grade 1   | <b>Handing</b>          | Non Handed   |
| <b>Door Prep</b>                            | Will cover stock hollow metal doors with 161 cutout                            |                         |  |

### 8000 SERIES (NON-RATED) PANIC HARDWARE

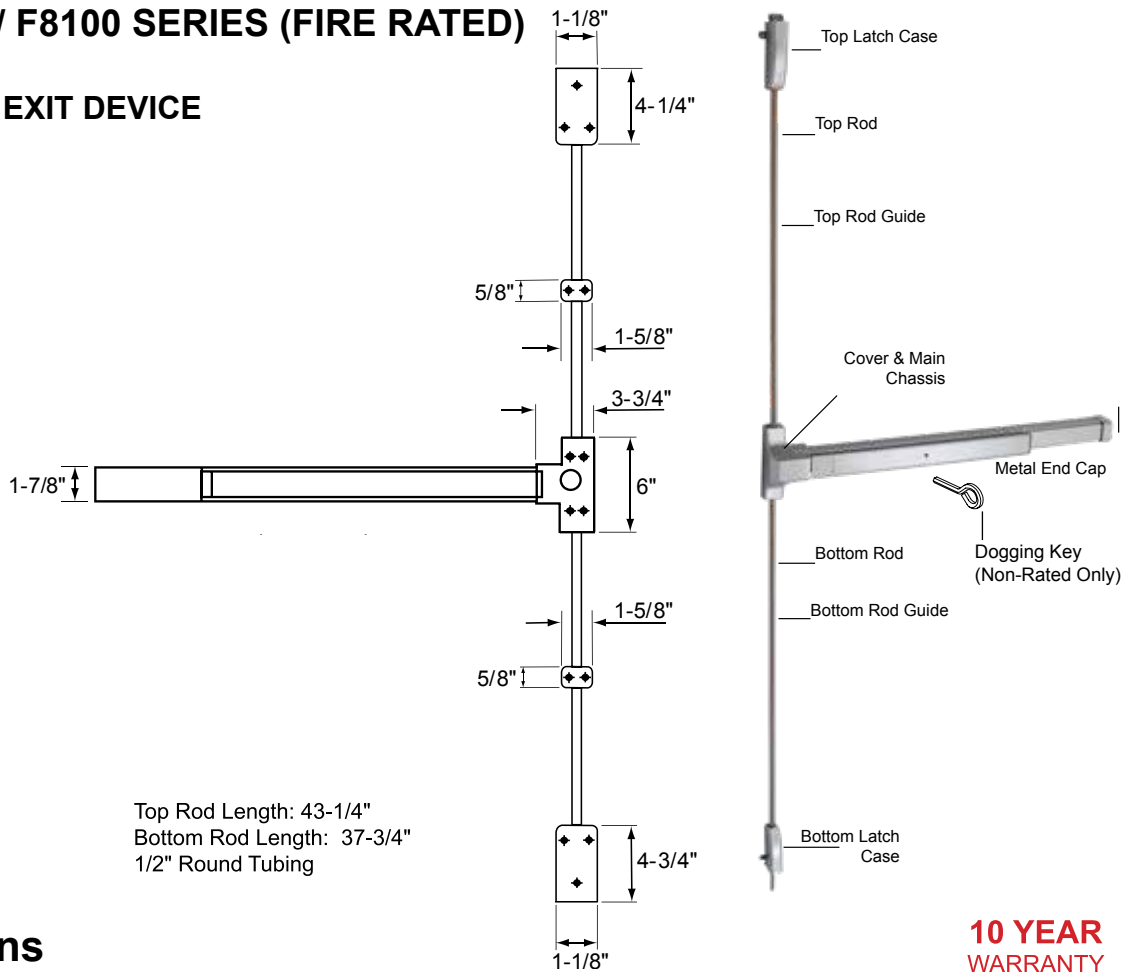
| Model   | Description                  | WT/<br>CTN | QTY/<br>CTN | Item No. | DURO    | US19<br>Matte Black | Satin<br>Aluminum |
|---------|------------------------------|------------|-------------|----------|---------|---------------------|-------------------|
| 8000-36 | Rim Type Device for 36" Door | 52 lb      | 6           |          | 681302* | 681309*             | 681300*           |

\*Special Order Product. Call Customer Service at 800-952-4430

### F8000 SERIES (FIRE-RATED)

| Model    | Description                       | WT/<br>CTN | QTY/<br>CTN | Item No. | DURO   | US32D<br>Satin Stainless<br>Steel | Satin<br>Aluminum |
|----------|-----------------------------------|------------|-------------|----------|--------|-----------------------------------|-------------------|
| F8000-36 | Fire Rim Type Device for 36" Door | 52 lbs     | 6           |          | 683302 | 683301                            | 683300            |
| F8000-48 | Fire Rim Type Device for 48" Door | 60 lbs     | 6           |          | —      | 683401                            | —                 |

## 8100 SERIES / F8100 SERIES (FIRE RATED) GRADE 1 VERTICAL ROD EXIT DEVICE



**10 YEAR  
WARRANTY**



### Specifications

|  |   |                         |  |
|--|---|-------------------------|--|
| <b>Applications</b>                        | Offices, Schools, Hospitals, Apartments, Hotel/Motels & other Public Buildings            | <b>Latchbolt</b>        | Zinc   |
| <b>Door Size</b>                           | 33" to 36" x 84". Top Rod Extension Available (up to 10')<br>Bar easily field cut to size | <b>Latchbolt Spring</b> | Satin Satin Stainless Steel throughout   |
| <b>Stile Width</b>                         | 3-1/2" minimum stile width required   | <b>Strike</b>           | 8100 Series (Non-Rated)<br>#8171 Steel Strike for Top Case<br>#8172 Zinc Strike for Bottom Case    |
| <b>Chasis, End Cap &amp; Rail Assembly</b> | Painted Steel (Alum & Duro) or Satin Satin Stainless Steel (US32D)                        |                         | F8100 Series (Fire Rated)<br>#8171 Steel Strike for Top Case<br>#8178 Steel Strike for Bottom Case |
| <b>UL Listed</b>                           | Complies with UL 305 standards<br>Listed for safety as Panic Hardware                     |                         |  |
| <b>Door Thickness</b>                      | 1-3/4" ~ 2" standard, 2-1/4" optional   |                         |  |
| <b>Door Prep</b>                           | Will cover stock hollow metal doors with 161 cutout                                       | <b>Cover</b>            | Zinc Alloy   |
| <b>Mounting</b>                            | Furnished standard with wood & machine screws<br>Sex nuts and bolts (1346) optional.      | <b>Handing</b>          | Reversible   |

### 8100 SERIES (NON-RATED) PANIC HARDWARE

| Model     | Description                                    | WT/<br>CTN | QTY/<br>CTN |          | US19<br>Matte Black | Satin<br>Aluminum | DURO    |
|-----------|--|------------|-------------|----------|---------------------|-------------------|---------|
| 8100-3684 | Vertical Rod Type Device<br>for 36" X 84" Door | 65 lb      | 6           | Item No. | 684309              | 682300            | 682302* |

\*Special Order Product. Call Customer Service at 800-952-4430

### F8100 SERIES (FIRE-RATED)

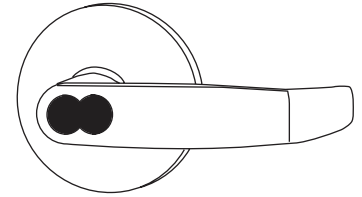
| Model      | Description   | WT/<br>CTN | QTY/<br>CTN |          | DURO   | US32D<br>Satin Stainless<br>Steel | Satin<br>Aluminum |
|------------|---|------------|-------------|----------|--------|-----------------------------------|-------------------|
| F8100-3684 | Fire Vertical Rod Type Device<br>for 36" x 84" Door | 52 lbs     | 6           | Item No. | 684302 | 684301                            | 684300            |
| F8100-4884 | Fire Vertical Rod Type Device<br>for 48" x 84" Door | 60 lbs     | 6           | Item No. | —      | 684401                            | —                 |

## 500L SERIES EXTERIOR LEVER TRIM WITH CLUTCH

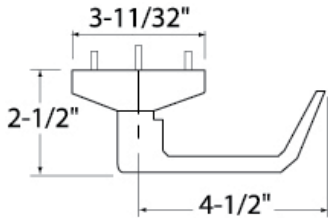
Shown in Satin Chrome



**500L or 504L Series\***  
Entrance or Night Latch  
Function



**500L-IC or 504L-IC Series**  
Entrance or Night Latch Function  
(CT Style Only)



**501L Series\***  
Passage Function

Interchangeable Core Design (not pictured)  
compatible with Small Format Interchangeable  
Core 6-Pin See page F-10.



(SFIC) Interchangeable  
Core Available  
CT Lever Only



ADA Compliant

\*Above products shown as CT Levers.  
SD & MD Levers also available.


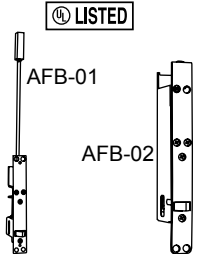
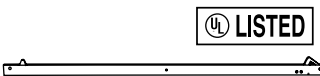
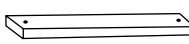
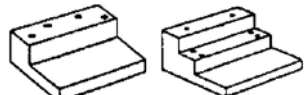

## Specifications

|            |             |   |                |  |
|------------|-------------|---|----------------|--|
| Functions: | Entrance    | Entrance by lever Key retracts latchbolt & unlocks lever          | Door Thickness | 1-3/4" - 2" Standard   |
|            | Night Latch | Entrance by lever when released by key<br>Otherwise always locked | Cylinder       | Schlage C-6-Pin Keyway standard KW1-5 Pin optional<br>SFIC 6-Pin available (CT style only) |
|            | Passage     | Entrance by lever (no cylinder)<br>Lever always active.           | Door Prep      | Will cover stock hollow metal doors with 161 cutout  |

| Model   | Description   | QTY/<br>CTN |          | US19<br>Matte<br>Black | US26D<br>Satin Chrome | US10B<br>Oil Rubbed<br>Bronze |
|---------|---|-------------|----------|------------------------|-----------------------|-------------------------------|
| 500L    | CT Lever Trim - Entrance  | 6           | Item No. | 699119                 | 699112                | 699115*                       |
| 504L    | CT Lever Trim - Night Latch   | 6           | Item No. | 699129                 | 699122                | 699125*                       |
| 501L    | CT Lever Trim - Passage   | 6           | Item No. | 699139                 | 699132                | 699135*                       |
| 500L-IC | CT Lever Trim - Entrance for IC Core<br><i>Core Not Included</i>    | 6           | Item No. | —                      | 699102*               | —                             |
| 504L-IC | CT Lever Trim - Night Latch for IC Core<br><i>Core Not Included</i> | 6           | Item No. | —                      | 699142*               | —                             |
| 500L    | SD Lever Trim - Entrance  | 6           | Item No. | 698119                 | 698112                | —                             |
| 504L    | SD Lever Trim - Night Latch   | 6           | Item No. | 698129                 | 698122                | —                             |
| 501L    | SD Lever Trim - Passage   | 6           | Item No. | 698139                 | 698132                | —                             |
| 500L    | MD Lever Trim - Entrance  | 6           | Item No. | 697119                 | 697112                | 697115*                       |
| 504L    | MD Lever Trim - Night Latch   | 6           | Item No. | 697129                 | 697122                | 697125                        |
| 501L    | MD Lever Trim - Passage   | 6           | Item No. | 697139                 | 697132                | 697135                        |


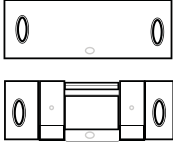

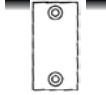

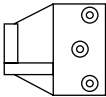



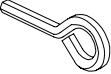
\*Special Order Product. Call Customer Service at 800-952-4430

## EXIT DEVICE HARDWARE

|  | Model No. | Description   | Finish | Item No. |
|--|-----------|---|--------|----------|
|   | 560V-120  | Top Rod for 120" Door Height for 8100 Series                                    | US32D  | 690440*  |
|  | 560V-120  | Top Rod for 120" Door Height for 8100 Series                                    | Duro   | 690442*  |
|  | 560V-120  | Top Rod for 120" Door Height for 8100 Series                                    | US19   | 690449   |
|  | 960V-120  | <b>FOR USE WITH 9100 SERIES</b><br>Top Rod for 120" Door Height for 9100 Series | US32D  | 695440*  |
|   | AFB-02    | Automatic Flush Bolt for Wood Door (per pair)                                   | US32D  | 699971*  |
|    | C52       | Fire Door Coordinators 52"  | US28   | 699750   |
|  | C52       | Fire Door Coordinators 52"  | Duro   | 699752   |
|  | C60       | Fire Door Coordinators 60"  | US28   | 699760*  |
|  | C60       | Fire Door Coordinators 60"  | Duro   | 699762   |
| <p>Flush Bolt for Wood Door</p>  <p>Flush Bolt for Metal Door</p> | FB1858    | 18-5/8" Filler Bar for Coordinator  | US28   | 699840   |
|  | FB1858    | 18-5/8" Filler Bar for Coordinator  | Duro   | 699842   |
|  | FB3200    | 32" Filler Bar for Coordinator  | US28   | 699800*  |
|  | FB3200    | 32" Filler Bar for Coordinator  | Duro   | 699802   |
|   | MB-01     | Mounting Bracket for Stop Width Over 2-1/4"                                     | US19   | 699010   |
|  | MB-01     | Mounting Bracket for Stop Width 7/8" to 2-1/4"                                  | US19   | 699020*  |
|   | CB-01     | Coordinator Carry Bar   | US19   | 699700   |

\*Special Order Product. Call Customer Service at 800-952-4430

## EXIT DEVICE HARDWARE

|   | Model No. | Description  | Finish                    | Item No. |
|---|-----------|--|---------------------------|----------|
|    | 9101      | 1/8" Glass Bead Shim Kit - 9000/F9000 (2pc)  | US26                      | 691683*  |
|    | 8070      | F8000 Roller Strike w/Shim - 2-3/4" or 2-3/8" Backset<br>Optional 8000 Series Rim Devices - 2-3/8" Backset | US28<br>Satin<br>Aluminum | 698070   |
|    | 8170      | 8000 Rim Device Roller Strike - 2-3/4" Backset Only  | US28<br>Satin<br>Aluminum | 698070   |
|    | 9222      | 1-1/8" x 2-1/4" Filler for Latch Front - Steel   | US10B                     | 698815*  |
|    | 9209      | 1-1/4" x 4-7/8" Filler for ANSI Strike - Steel   | US10B                     | 698885*  |
|   | 8285      | Overlapping Strike for Double Door w/ 3 Mounting Screws<br>For use with 8100, F8100, 9100, and F9100       | US32D                     | 698100*  |
|  | LBR-AFL   | Auxilliary Fire Latch<br>For use with LBR - Less Bottom Rod  |                           | 698900*  |
|  | 1346      | S.S. Sex Bolt for Door Size 1-3/4" - 2" (6pc)<br>Included w/ Fire Exit Hardware.                           | US32                      | 699951*  |
|   | 1346      | S.S. Sex Bolt for Door Size 1-3/4" - 2" (6pc)<br>Included w/ Fire Exit Hardware.                           | Duro                      | 699952*  |
|  |           | Alarm Kits for Exit Device 36"<br>Alarm Kits for Exit Device 36"<br>Alarm Kits for Exit Device 36"         | US28<br>US32D<br>Duro     |          |
|  |           | Dogging Tool (Key) for Panic Hardware  |                           | 699999*  |

\*Special Order Product. Call Customer Service at 800-952-4430

# DELANEY® DOOR CLOSERS

## PRODUCT SPECIFICATIONS

- ANSI 156.4 Grade 1
- UL / UL10C listed, 3-hour fire rating
- Compliant with ADA reduced opening force requirements
- Same mounting hole pattern as LCN 4041
- Adjustable power size
- Factory preset Size 3
- Independent latch, sweep & backcheck intensity valve
- Heavy duty rack & pinion
- Heat treated high tension piston
- High lubricity hydraulic fluid to ensure smooth operation
- DA series equipped with delay action feature
- Standard arm and parallel bracket included for regular arm, top jamb, and parallel arm applications
- Standard arm Installation allows door to swing 180°
- Heavy duty cast iron closer body
- Sex Bolts included
- Non-Handed

| MAXIMUM SIZE OF DOOR (RECOMMENDED) |             |                   |                    |              |                    |
|------------------------------------|-------------|-------------------|--------------------|--------------|--------------------|
| Power Size                         | Regular Arm |                   |                    | Parallel Arm |                    |
|                                    | Interior    | Exterior Swing-In | Exterior Swing-Out | Interior     | Exterior Swing-Out |
| 1                                  | 28"         | N/A               | N/A                | N/A          | N/A                |
| 2                                  | 36"         | N/A               | N/A                | 30"          | N/A                |
| 3                                  | 42"         | 30"               | 36"                | 36"          | 30"                |
| 4                                  | 48"         | 36"               | 42"                | 42"          | 36"                |
| 5                                  | 54"         | 42"               | 48"                | 48"          | 42"                |
| 6                                  | 60"         | 48"               | 54"                | 54"          | 48"                |

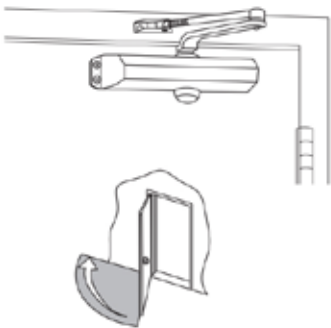
| Series   | Power Size (Adjustable) | Duty         | Door Weight  | Function Availability |              |     | Optional Accessories |                    |                    |            |            |       |
|----------|-------------------------|--------------|--------------|-----------------------|--------------|-----|----------------------|--------------------|--------------------|------------|------------|-------|
|          |                         |              |              | Back Check            | Delay Action | ADA | Hold Open Arm        | Parallel Rigid Arm | Hold Open CUSH Arm | Drop Plate | Thru Bolts | Cover |
| 8000     | No. 1-6                 | Heavy        | 33 - 300 Lbs | ●                     |              | ●   | ●                    | ●                  | ●                  | ●          | ●          | ●     |
| 8000/DA  | No. 1-6                 | Heavy        | 33 - 300 Lbs |                       | ●            | ●   | ●                    | ●                  | ●                  | ●          | ●          | ●     |
| 6000     | No. 1-6                 | Medium-Heavy | 55 - 300 Lbs | ●                     |              | ●   | ●                    | ●                  | ●                  | ●          | ●          | ●     |
| 6000S    | No. 1-6                 | Medium Heavy | 55 - 300 Lbs | ●                     |              | ●   | ●                    | ●                  | ●                  | ●          | ●          | ●     |
| 6000/DS  | No. 1-6                 | Medium-Heavy | 55 - 300 Lbs | ●                     | ●            | ●   | ●                    | ●                  | ●                  | ●          | ●          | ●     |
| 6000S/DS | No. 1-6                 | Medium-Heavy | 55 - 300 Lbs | ●                     | ●            | ●   | ●                    | ●                  | ●                  | ●          | ●          | ●     |
| 4400     | No. 1-4                 | Light-Medium | 33 - 187 Lbs | ●                     |              | ●   | ●                    |                    |                    |            | ●          | ●     |
| 3000     | No. 3                   | Light        | 99 - 143 Lbs |                       |              |     |                      |                    |                    |            | ●          |       |

## CROSS REFERENCE

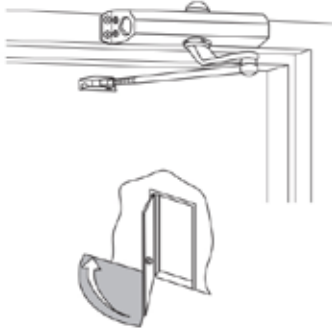
| DELANEY      | NORTON | YALE | DOR-O-MATIC | INTERNATIONAL | DORMA | LCN  | SARGENT | CAL-ROYAL  |
|--------------|--------|------|-------------|---------------|-------|------|---------|------------|
| 8000 Series  | 7500   | 4400 |             | 4400          | 8900  | 4041 |         | CR441      |
| 6000 Series  | 8501   | 3501 | SC81        | 5000          | 8600  | 1461 | 1431    | CR801-BF   |
| 6000S Series | 8301   | 3301 | SC80        | 5000          | 8600  | 1461 | 1430    | CR801S-BF  |
| 4400 Series  | 1601BF | 51BF | SC61        |               |       |      | 1131    | 300-PBFCOV |
| 3000 Series  | 1600   | 50   | SC90 Series | 650/750       |       | 1050 |         | 400        |

## All Closers Tri-Packed for Three Installation Options

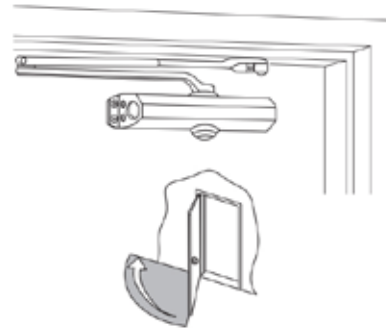
**REGULAR ARM INSTALLATION**  
Closer is installed on PULL/HINGE side of door



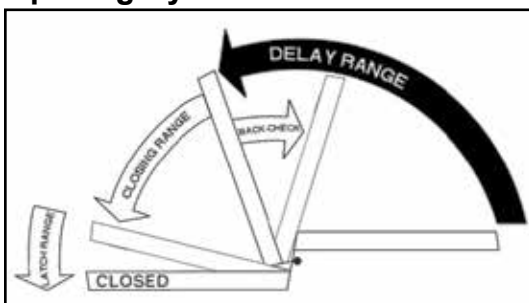
**TOP JAMB INSTALLATION**  
Closer is installed on frame on PUSH/STOP side of door



**PARALLEL ARM INSTALLATION**  
Closer is installed on PUSH/STOP side of door



## Opening Cycle



## Top Rail Guide

### 8000 Series

- RA: 3 1/2"
- PA: 5"

### 6000 Series

- RA: 3"
- PA: 4"

### 4400 Series

- RA: 2 3/8"
- PA: 4 5/8"

### 3000 Series

- RA: 2"
- PA: 4"



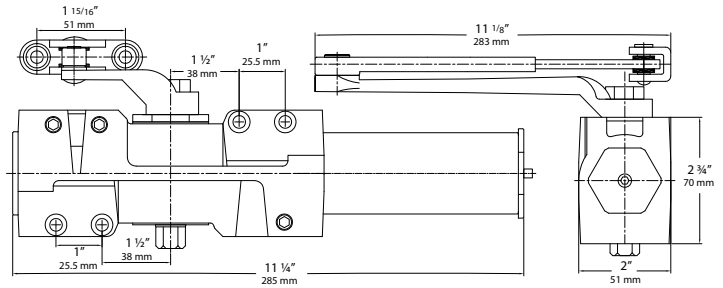
# DELANEY® DOOR CLOSERS

## 8000 / 8000-DA SERIES

Power Size 1-6

UL LISTED

**10 YEAR**  
WARRANTY



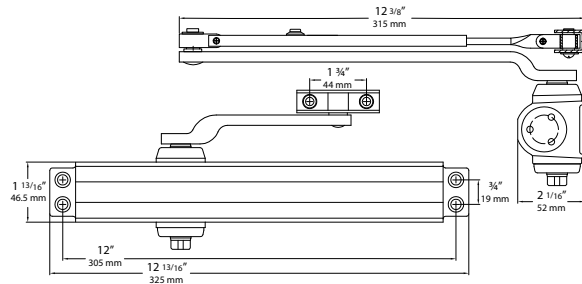
| Model  | WT/CTN | QTY/CTN |          | Duro Bronze | US28<br>Satin Aluminum |
|--|--------|---------|----------|-------------|------------------------|
| 8000 Series Door Closer with Standard Full Cover                     | 26 lb  | 2 Pcs   | Item No. | 608811      | 608810                 |
| 8000 Series Door Closer with Delay Action (DA) & Standard Full Cover | 26 lb  | 2 Pcs   | Item No. | 608841      | 608840                 |

## 6000 / 6000-DA SERIES

Power Size 1-6

UL LISTED

**10 YEAR**  
WARRANTY



| Model  | WT/CTN | QTY/CTN |          | Duro Bronze | US28<br>Satin Aluminum | US19<br>Matte Black |
|--|--------|---------|----------|-------------|------------------------|---------------------|
| 6000 Series Door Closer with Standard Full Cover                     | 44 lb  | 4 Pcs   | Item No. | 606711      | 606710                 | 606719              |
| 6000 Series Door Closer with Delay Action (DA) & Standard Full Cover | 44 lb  | 4 Pcs   | Item No. | 606741*     | 606740                 | —                   |

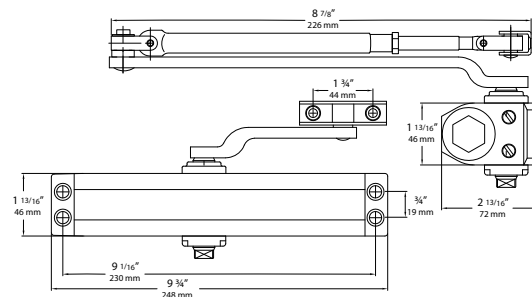
\*Special Order Product. Call Customer Service at 800-952-4430

## 4400 SERIES

Power Size 1-4

UL LISTED

**10 YEAR**  
WARRANTY


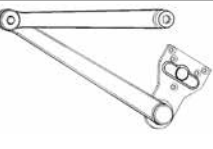
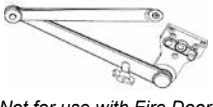
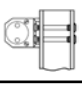
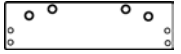

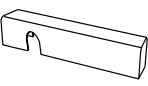


| Model  | WT/CTN | QTY/CTN |          | Duro Bronze | US28<br>Satin Aluminum |
|--|--------|---------|----------|-------------|------------------------|
| 4400 Series Door Closer with Standard Full Cover | 62 lb  | 10 Pcs  | Item No. | 604411*     | 604410                 |

\*Special Order Product. Call Customer Service at 800-952-4430

# DELANEY® DOOR CLOSERS

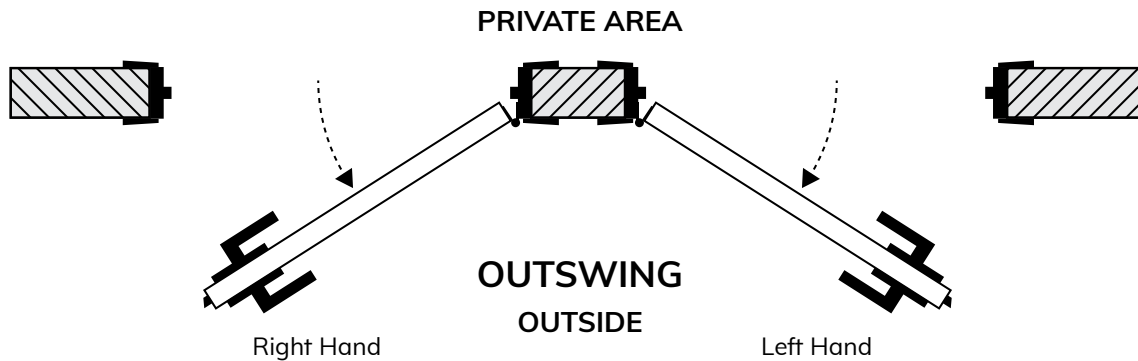
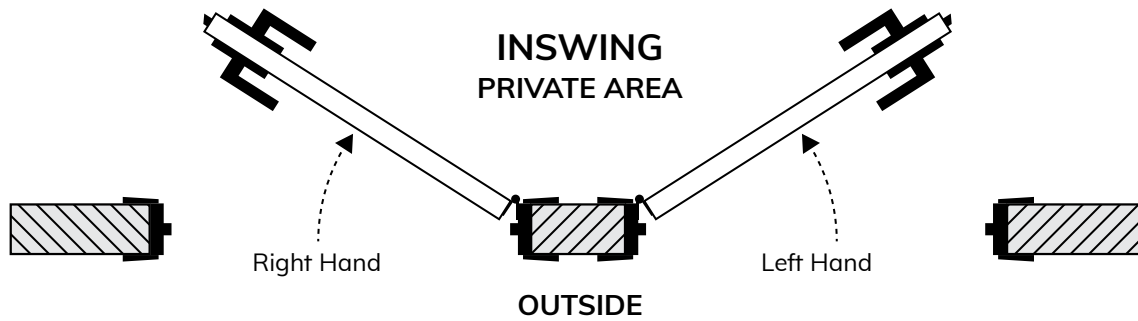
## DOOR CLOSER PARTS

|  | Description   | Finish | Item No. | CTN QTY   | WT/CTN |
|--|---|--------|----------|-----------|--------|
|  <p>With Parallel Bracket *Can not use Hold Open Arm for Fire Doors</p> | Friction Hold Open Arm - 8000                         | US28   | 600840   | 12        | 33 lb  |
|  | Friction Hold Open Arm - 8000                         | Duro   | 600841*  | 12        | 33 lb  |
|  | Friction Hold Open Arm - 6000                         | US28   | 600640*  | 12        | 33 lb  |
|  | Friction Hold Open Arm - 6000 (with parallel Bracket) | Duro   | 600641*  | 12        | 33 lb  |
|  | Friction Hold Open Arm - 5000/4400                    | US28   | 600440*  | 12        | 33 lb  |
|  | Friction Hold Open Arm - 5000/4400                    | Duro   | 600441*  | 12        | 33 lb  |
|   | Parallel Rigid Cush Arm - 8000                        | US28   | 600850*  | 12        | 33 lb  |
|  | Parallel Rigid Cush Arm - 8000                        | Duro   | 600851*  | 12        | 33 lb  |
|  | Parallel Rigid Cush Arm - 6000                        | Duro   | 600651*  | 12        | 33 lb  |
|  <p>*Not for use with Fire Doors</p>                                    | Hold Open Cush Arm for 8000                           | US28   | 600860*  | 12        | 46 lb  |
|  | Hold Open Cush Arm for 8000                           | Duro   | 600861*  | 12        | 46 lb  |
|  | Hold Open Cush Arm for 6000                           | US28   | 600660*  | 12        | 51 lb  |
|  | Hold Open Cush Arm for 6000                           | Duro   | 600661*  | 12        | 51 lb  |
|   | Sex Bolt w/ Screw (All Series)                        | US28   | 600180*  | 4 Pcs/Set |        |
|  | Sex Bolt w/ Screw (All Series)                        | Duro   | 600181*  | 4 Pcs/Set |        |
|   | 8000-Series Drop Plate                                | US28   | 600820   | 20 Pcs    | 66 lb  |
|  | 8000-Series Drop Plate                                | Duro   | 600821*  | 20 Pcs    | 66 Lbs |
|   | 6000/6000S-Series Drop Plate                          | US28   | 600620*  | 20 Pcs    | 40 lb  |
|  | 6000/6000S-Series Drop Plate                          | Duro   | 600621*  | 20 Pcs    | 40 lb  |
|   | 6000S Replacement Slim Cover Only                     | US28   | 600610*  |           |        |
|  | 6000S Replacement Slim Cover Only                     | Duro   | 600611*  |           |        |
|  | 6000 Replacement Cover Only                           | US28   | 600630*  |           |        |
|  | 6000 Replacement Cover Only                           | Duro   | 600631*  |           |        |
|  | 8000 Replacement Cover Only                           | US28   | 600830*  |           |        |
|  | 8000 Replacement Cover Only                           | Duro   | 600831*  |           |        |

\*Special Order Product. Call Customer Service at 800-952-4430

Standing OUTSIDE the private area, regardless of whether the door swings towards you or away from you, if the Hinges are on the left, order a Left Hand (LH) lock.

Likewise, if the Hinges are on the right, order a Right Hand (RH) lock.





# DELANEY®



**E-mail us:**

[orders@delaneyhardware.com](mailto:orders@delaneyhardware.com)  
[quotes@delaneyhardware.com](mailto:quotes@delaneyhardware.com)

**Visit us online:**

[www.DelaneyHardware.com](http://www.DelaneyHardware.com)

Delaney Hardware | 655 Peachtree Industrial Blvd, Building 100 | Sugar Hill, GA 30518  
1-800-952-4430 | Fax 770-844-8658

© October 2023 Delaney Hardware. All rights reserved. No portion of this catalog may be reprinted without the written consent of Delaney Hardware. All specifications are subject to change without notice.