

Delaney. Where
Style Meets
Security.



DELANEY®

CALLAN®
BY DELANEY®



Unlock style,
lock in savings.



Bravura®

ELEVATE
EVERY
DETAIL.



DELANEY HARDWARE

At Delaney Hardware, we're dedicated to making your home the best it can be. Our commitment goes beyond just door hardware – we're here to create spaces that feel safe, stylish, and uniquely yours.

We pride ourselves on quality excellence, delivering products that are built to last and look great doing it. From sleek designs to sturdy craftsmanship, we've got you covered every step of the way. Our customer-centric approach means we're here to listen and help you find exactly what you need.

Whether you're a seasoned pro, passionate DIY'er or just getting started, we'll guide you with friendly advice and personalized service. Innovation and adaptability are at the core of what we do. We're always looking for new ways to make life easier, with cutting-edge technology and a knack for thinking outside the box. Integrity and transparency are our guiding principles. We believe in being straight-up with our customers – no hidden fees or fine print, just honest, upfront pricing and a commitment to doing right by you, every time. By working together with our suppliers, retailers, consumers, and designers we can achieve great things and make your place the envy of everyone.

Our mission is simple: to make your space the best it can be. With quality products, friendly service, and a whole lot of heart, we're on a mission to make your dreams a reality. This is Delaney Hardware. Building Trust, Unlocking Excellence.



TABLE OF CONTENTS

Information

Sales Policies & Services	4
Freight & Payment Terms.....	5
Keying Charges.....	5

Door Hardware

Delaney..... 7-38

Sandcast	
Handlesets.....	8-9
Deadbolts.....	10
Knobs & Levers.....	11-12
Entrance Hardware	
Handlesets.....	13-17
Interior options	17-18
Deadbolts.....	19-21
Knobs & Levers	
Grade 3 Knobs & Levers.....	22-32
Grade 2 Knobs & Levers.....	33-35
Strikes & Latches.....	36-38

Callan..... 39-63

Entrance Hardware	
Handlesets.....	40-45
Deadbolts.....	46-47
Knobs & Levers	
Grade 3 Knobs & Levers.....	49-57
Grade 2 Knobs & Levers.....	58-61
Strikes & Latches.....	62-63

Bravura..... 64-94

Entrance Hardware	
Handlesets.....	65-69
Deadbolts.....	70
Knobs & Levers	
Knobs.....	71-78
Crystal Knobs.....	79-80
Levers.....	81-88
Elite.....	89-94
Levers.....	89-91
Knobs.....	92-93
Deadbolts.....	94

Electronic Locks..... 95-99

Electronic locks	95-99
------------------------	-------

Barn Door Hardware..... 100-108

Flat Track Series.....	101-102
Split Track Series.....	103-104
Handles & Pulls	105-106
Accessories.....	107-108

Bath Hardware..... 109-119

1100 series-Denali	110
900 series-Acadia.....	111
800 series-Shenandoah.....	112
700 series-Sequoia.....	113
600 series-Everglade.....	114
500 series-Yellowstone.....	115
400 series-Yosemite.....	116
300 series-Cascade	117
200 series-Congaree	118
Accessories.....	119

Trim Hardware & Hinges..... 120-145

Pocket Door Locks.....	121
Door Knockers & Viewers.....	122-123
Plates & Pulls.....	124
Exterior Shutter Hardware.....	125
Handrail Brackets.....	126
Surface & Flush Bolts.....	127-128
Door Stops.....	129-132
Wall Bumper & Ball Catch	133-134
Cabinet Knobs & Finger Pull.....	135-136
Closet Hardware.....	137-138
Residential Hinges.....	139-143
Commercial Hinges.....	144-145

Commercial..... 146-167

Leversets.....	147-152
Deadbolts	153-154
Latches & Strikes	155-156
Exit Devices.....	157-164
Door Closers	165-167

SALES POLICIES & SERVICE TERMS

RETURNS & CREDIT POLICY

All returned goods will require prior authorization, proof of purchase, and a Return Goods Authorization (RGA) number. The Delaney Hardware RGA is valid for 15 days from date of issue.

- Requests to return must be made within 45 days from date of invoice. Items must be in original packaging and in resalable condition to be determined at our discretion. Specially fabricated, discontinued, made-to-order, or custom-machined items are not returnable.
- All Returns are subject to inspection. Products not in resalable condition will not be approved and customer will have the option for Delaney Hardware to destroy or for the Customer to pick up at their expense. Products not picked up within five days of notification will be destroyed.
- All Returned merchandise is subject to a 25% restocking fee plus 2-way freight.
- Pricing and quantity discrepancies must be made within 15 days from date of invoice.
- If you wish to make a warranty claim based upon product defect, please contact us at orders@delaneyhardware.com. You must include images of the reported defect and purchase order history details.

PRICE LIST

Prices subject to change without notice. Not responsible for typographical errors.

PRODUCT AVAILABILITY

While it is our goal to ship all in stock items within 24 hours, some items require additional lead times. Please contact Customer Service to verify product availability.

LIMITED WARRANTY

Goods are warranted against manufacturing defects for one year unless other Manufacturers' warranty apply. In no case is Delaney Hardware Inc. responsible for user-caused damage or damage incurred in installation. This warranty is void if the goods have been subjected to misapplication or abuse. Call 1-800-952-4430 for copies of applicable manufacturers' warranties.

ADVERTISING TOOLS

Digital, Full-color product brochures and catalogs are available for all of our product lines. Please call your sales representative for more information.

DESIGN CENTER / SHOWROOM MERCHANDISING

Delaney can provide product displays and brochures for showrooms or design centers upon request (charges apply).

ORDER TRACKING

Delaney customers may track UPS shipments by using either the assigned tracking number (available from customer service the morning following your shipment) or by using the shipment reference number (customer PO#). If you would like to sign up for automatic shipment notifications via email, please contact your inside sales representative.

SHIPPING INFORMATION

With the rise in operational costs over the last two years, we have implemented a minimum order threshold of \$50.00. Any order below \$50.00 will incur a \$5.00 processing fee. Spend \$1000+ in products and get Free Shipping.

- Orders are entered into our fulfillment system upon receipt.
- Add-ons are handled as a separate order; freight charges will apply per order.
- Keyed orders and displays are excluded from same day shipping.
- A \$7.50 drop ship fee will be added per ship direct order. Due to global freight price increases, we have revised our 2024 Shipping Fees. Both individually-labeled parcel shipping and the larger Less-than-Truckload (LTL) pallet shipping will be affected.
- Prepaid freight is included on orders totaling more than \$1,000.00. Whether a shipment is sent small parcel or LTL, if that order meets or exceeds \$1,000.00, the order is shipped prepaid, regardless of weight.

SALES POLICIES & SERVICE TERMS

PARCEL SHIPPING

- Expedited Parcel Freight charges are estimated, and actual freight will be billed at shipment.
- Freight costs will be added to the invoice to be paid by the customer.
- Please note: All orders with 2+ Barn Door Tracks must ship LTL and not Parcel.

LTL SHIPPING

- All LTL Freight charges are estimated, and actual freight will be billed at shipment.
- Expedited charges are the responsibility of the customer.
- Freight costs will be added to the invoice to be paid by the customer.

STANDARD AND SPLIT TRACK BARN DOOR KITS SHIPPING

- Additional shipping charges will apply to all orders. Contact Customer Service for a shipping quote.

OVERSIZE ITEM CHARGE

All oversize items (as defined by UPS) are subject to an Oversize Item Charge of \$185. To make sure our customers are aware of when and where this charge will apply, our customer service team will communicate any oversize items during the order process.

OVERSIZE STANDARDS

As defined by UPS, a package weighing 50 lbs. (23 kg) or more and measuring greater than 48 inches (122 cm) on its longest side or 30 inches (76 cm) on its second side will be classified by UPS as an "Oversize" package. All packages must have a combined length and girth of no more than 165 inches (419 cm).

Total Order Value:	Standard Ground Shipping Fee:
\$0 - \$199.99	\$16.00
\$200.00-\$299.99	\$22.00
\$300.00-\$349.99	\$28.00
\$350.00 +	FREE

KEYING

RESIDENTIAL KEYING

910010	Keyed Alike	\$3.00
910020	Master Key (per cylinder)	\$5.00
910040	Builder/Construction Key (per cylinder)	\$5.00
910030	Builder Master Key	\$7.00
910035	Grand Master Key	\$7.00
910050	Common Keying	\$8.00
910100	Key Cutting	\$1.30

COMMERCIAL KEYING

791010	Commercial Key Alike	\$4.50
791020	Commercial Master Key	\$6.00
791040	Commercial Builder/Construction Key	\$6.00
791030	Commercial Builder Master Key	\$8.00
791035	Commercial Grand Master Key	\$8.00
791050	Commercial Common Key	\$9.00

KEYING TERMS

KD	Key Different - Locks keyed to different unit key numbers.
KA	Key Alike - Locks keyed to same unit key numbers.
MK	Master Key - Locks keyed to different unit key numbers while having a Master Key that will also open each unit. Master Keys provide permanent access.
CK	Construction Key - Locks keyed to different unit key numbers while having a Construction Key that will also open each unit. Construction Keys are voided when the unit keys are used.
MCK	Master Construction Key - Locks keyed to different unit key numbers while having a Master and Construction Key that will open each unit. Master Keys provide permanent access. Construction Keys are voided when the unit or master key is used.
GMCK	Grand Master Construction Key - Locks keyed as above with multiple Master Keys under one Grand Master Key. Locks can also be construction keyed with this system.
COMMON	Common Key - Allows multiple unit keys to open one common lock. This lock can also be Master and/or Construction Keyed.

KEYING KITS & PINS

		QTY	
293101	Delaney Keying Kit "K"	1	\$135.00
293102	Delaney Keying Kit "C"	1	\$135.00
934300	Delaney "C" Bottom Pins #0-#9	100	\$10.00
944300	Delaney "C" Master Pins #2 -#9	100	\$10.00
292350	Construction Balls	100	\$10.00
KA3101	Callan Keying Kit "K"	1	\$156.00
KA3101C	Callan Keying Kit "C"	1	\$134.00
KA3103	Callan "K" Bottom Pins #1-#7	100	\$9.00
292150	Callan "K" Master Pins #1-#6	100	\$11.00
934300	Callan "C" Bottom Pins #0-#9	100	\$10.00
944300	Callan "C" Master Pins #2-#9	100	\$10.00

Keying Kits include: Nut Driver, Plug Follower, Spanner/Cylinder Removal Tool, Tweezers, Replacement Springs, Clips and Pins.

KEY BLANKS

		QTY	
KA3105	Delaney KW1 5-Pin Key Blank Silver	1	\$1.00
291155	Delaney Lg Head SC4 6-Pin Key Blank Silver	1	\$2.00
KA3102	Callan KW1 5-Pin Key Blank Silver	1	\$1.00
KA3104	Callan2 SC1 5-Pin Key Blank	1	\$2.00
934301	SC1 Key Blank 5-Pin Silver	1	\$2.00
934301G	SC1 Key Blank 5-Pin Gold	1	\$2.00
934302	SC4 Key Blank 6-Pin Silver	1	\$2.00
934302G	SC4 Key Blank 6-Pin Gold	1	\$2.00
791210	IC Core Key Blanks (Best Keyway) Silver	1	\$3.00

CUSTOMER SERVICE DEPARTMENT (Hours of Operation: 7:00AM - 5:00PM ET)

Place Orders or Request Quotes by:

Local Phone..... **770-844-1941** (Press 2 for Customer Service)
 Toll Free..... **800-952-4430** (Press 2 for Customer Service)

Fax..... **770-844-8658**
 Email..... **orders@delaneyhardware.com**
 Email..... **quotes@delaneyhardware.com**

AVAILABLE FINISHES



US3 / 605
BRIGHT BRASS



US4 / 696
SATIN BRASS



US5 / 609
ANTIQUÉ BRASS



US10B / 680
OIL RUBBED
BRONZE



US10BE / 704
OIL RUBBED BRONZE
EDGED



ABR / 624
AGED BRONZE



US12P / 616
TUSCANY BRONZE



ABK / 622
AGED BLACK



US19 / 676
MATTE BLACK



US15 / 646
SATIN NICKEL



US26 / 681
BRIGHT CHROME



US26D / 682
SATIN CHROME



AS
ANTIQUÉ SILVER



US32D / 630
SATIN STAINLESS STEEL



US28 (AL) / 673
ALUMINUM



DURO / 695
DURO BRONZE



DELANEY®

DELANEY. WHERE STYLE MEETS SECURITY.

SANDCAST COLLECTION

Premium door hardware with a variety of styles and finishes.

Handlesets

Castille
Cordoba

Deadbolts

Rectangle

Knobs

Sorrento
Tulum

Levers

Tiara



Cordoba in
Aged Black

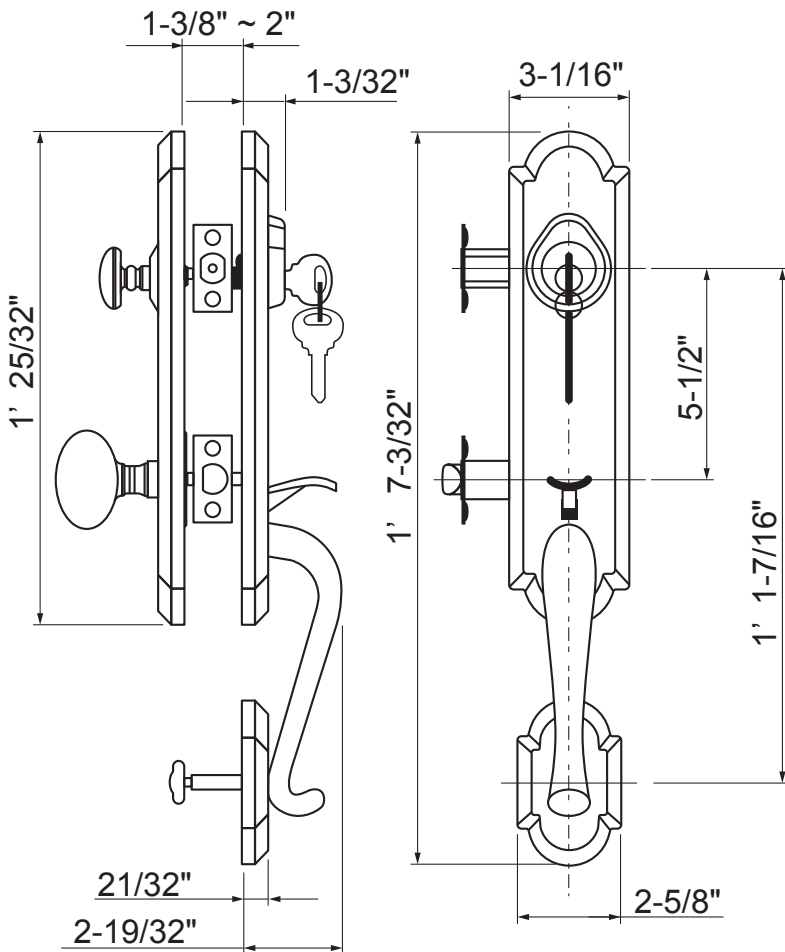
DELANEY® SANDCAST HANDLESETS

Specifications

Door Prep	Deadbolt cross bore: 2-1/8" Handleset cross bore: 2-1/8" Edge bore: 1" Latch Face: 1" x 2-1/4" Mounting (center to center) 5-1/2"	Latches	Deadbolt: 2-3/8 and 2-3/4 adjustable (9092) Faceplate: 1" x 2-1/4" round corner Bolt: Brass with hardened steel rod, full 1" throw Handle: 2-3/8" & 2-3/4" adjustable (9079R) Faceplate: 1" x 2-1/4" round corner Bolt: 1/2" Solid Brass throw
Backset	Fits 2-3/8" and 2-3/4"	Strikes	Deadbolt: Full lip round corner (9117 & 9113) Handle: Full lip round corner (9103)
Door Thickness	1-3/8" ~ 2" door standard, 2-1/4" Ext. Kit Available		
Cylinder	SC4 6-pin standard. KW1 5-Pin Optional. SC1 5-Pin Optional. Handlesets packed KD	Wood Screws	Combination screws that suit both wood or metal door mounting Includes 3" Security Screws
Interconnected	600-Single Cylinder Handleset only	Door Handing	Specify handing when ordering lever as Interior option

CASTILLE

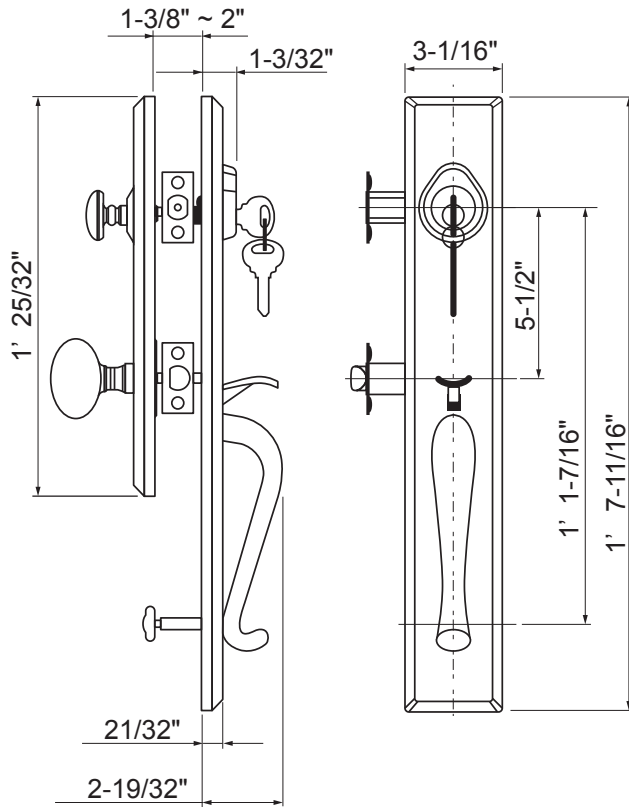
Shown in Aged Bronze



Model	Function	WT/CTN	CTN QTY	ABR Aged Bronze		ABK Aged Black	
				Item No.	List Price	Item No.	List Price
600-CA	Single Cylinder	29 lb	2 Pcs	Item No.	660800	Item No.	660809
				List Price	\$522.00	List Price	\$522.00
605-CA	Dummy	29 lb	2 Pcs	Item No.	661800	Item No.	661809
				List Price	\$517.00	List Price	\$517.00

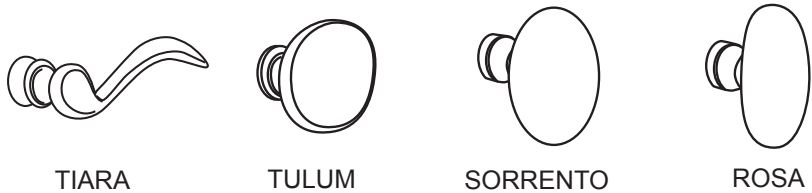
CORDOBA

Shown in Aged Black



Model	Function	WT/CTN	CTN QTY	ABR Aged Bronze		ABK Aged Black	
				Item No.	List Price	Item No.	List Price
600-CD	Single Cylinder	29 lb	2 Pcs	660500	\$522.00	660509	\$522.00
605-CD	Dummy	29 lb	2 Pcs	661500	\$517.00	661509	\$517.00

INTERIOR OPTIONS SANDCAST COLLECTION



Style	Function	ABR Aged Bronze		ABK Aged Black	
		Item No.	List Price	Item No.	List Price
Tiara - TI	Interior Lever Only	697600C (L/R)	\$35.07	697609C (L/R)	\$35.07
Tulum - TU	Interior Knob Only	687500C	\$43.00	687509C	\$43.00
Sorrento - SO	Interior Knob Only	687300C	\$43.00	687309C	\$43.00
Rosa - RO	Interior Knob Only	687400C	\$43.00	687409C	\$43.00

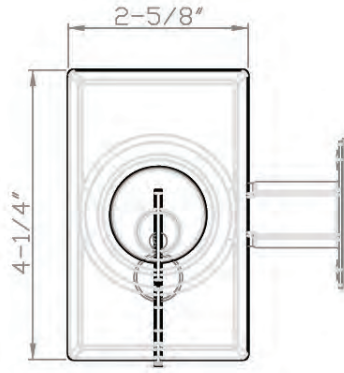
DELANEY® SANDCAST HANDLESETS

Specifications

Door Prep	Cross bore: 2-1/8" Edge bore: 1" Latch face: 1" x 2-1/4"	Latches	Deadbolt: 2-3/8" & 2-3/4" adjustable (9092) Faceplate: 1" x 2-1/4" round corner Bolt: Brass with hardened steel rod. Full 1" throw
Backset	Fits 2-3/8" and 2-3/4"	Strikes	1-3/4" x 2-1/4" round corner (9113 & 9117)
Door Thickness	1-3/8" ~ 1-3/4" door standard	Wood Screws	Combination screws that suit both wood or metal door mounting Includes 3" Security Screws
Cylinder	SC4 6-pin standard. KW1 5-Pin Optional. Deadbolts packed KA4		

RECTANGLE DEADBOLT

Shown in Aged Black



Model	Function	WT/CTN	CTN QTY	ABR / ABK		
				Aged Bronze	Aged Black	
200-IM	Single Cylinder	34 lb	12 Pcs	Item No.	631000S	631009S
				List Price	\$103.00	\$103.00

EXTENSION KITS (For SandCast Locksets)

Description	ABR / ABK	
	Aged Bronze / Aged Black	
2-1/4" Extension Kit for Handleset	Item No.	210002
	List Price	\$36.00
2-1/4" Extension Kit for Deadbolt	Item No.	210004
	List Price	\$7.00
2-1/4" Extension Kit for Knob/Lever (Passage and Privacy only)	Item No.	210006
	List Price	\$20.00

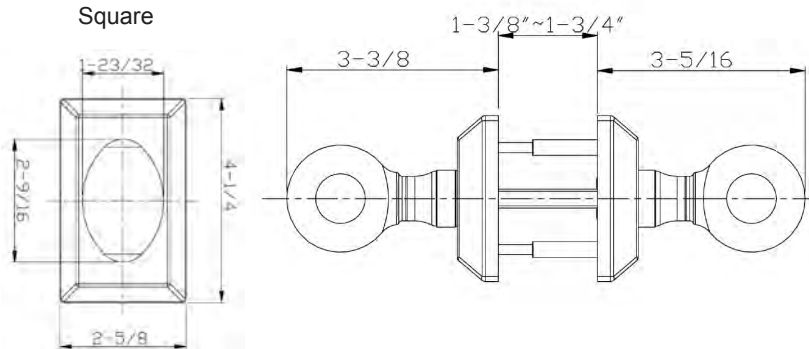
Specifications

Door Prep	Cross bore: 2-1/8" Edge bore: 1" Latch face: 1" x 2-1/4"	Latches	Entrance: 2-3/8" & 2-3/4" adjustable (9050R) Passage/Privacy: 2-3/8" & 2-3/4" adjustable (9079R) Faceplate: 1" x 2-1/4" round corner Bolt: 1/2" Solid Brass throw
Backset	Fits 2-3/8" and 2-3/4"	Strikes	1-3/4" x 2-1/4" full lip round corner (9103)
Door Thickness	1-3/8" ~ 1-3/4" door standard.	Wood Screws	Combination screws that suit both wood or metal door mounting

Cylinder SC4 6-pin standard. KW1 5-Pin Optional. SC1 5-Pin Optional. Entries packed KA4

SORRENTO

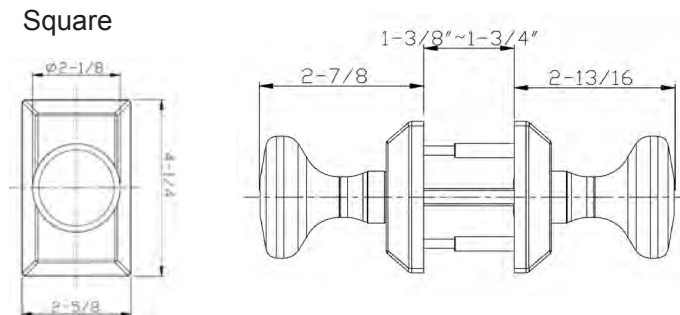
Shown in Aged Black



Model	Function	WT/CTN	CTN QTY	ABR Aged Bronze		ABK Aged Black	
				SQUARE		SQUARE	
100T-SO	Entrance	21 lb	4pcs	Item No.	681300S	681309S	
				List Price	\$216.00	\$216.00	
101T-SO	Passage	31 lb	6 Pcs	Item No.	684300S	684309S	
				List Price	\$185.00	\$185.00	
102T-SO	Privacy	31 lb	6 Pcs	Item No.	682300S	682309S	
				List Price	\$186.00	\$186.00	
115TB-SO	Dummy	30 lb	6 Pcs	Item No.	685300S	685309S	
				List Price	\$90.00	\$90.00	

TULUM

Shown in Aged Black



Model	Function	WT/CTN	CTN QTY	ABR Aged Bronze		ABK Aged Black	
				SQUARE		SQUARE	
100T-TU	Entrance	21 lb	4 Pcs	Item No.	681500S	681509S	
				List Price	\$216.00	\$216.00	
101T-TU	Passage	31 lb	6 Pcs	Item No.	6814500S	684509S	
				List Price	\$185.00	\$185.00	
102T-TU	Privacy	31 lb	6 Pcs	Item No.	682500S	682509S	
				List Price	\$186.00	\$186.00	
115TB-TU	Dummy	31 lb	12 Pcs	Item No.	685500S	685509S	
				List Price	\$90.00	\$90.00	

Specifications

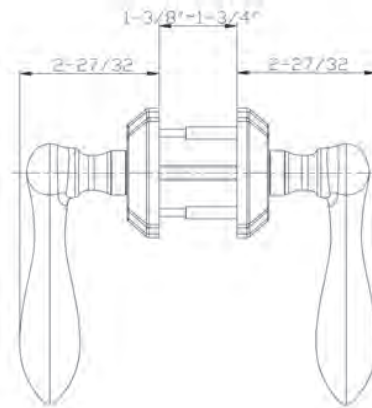
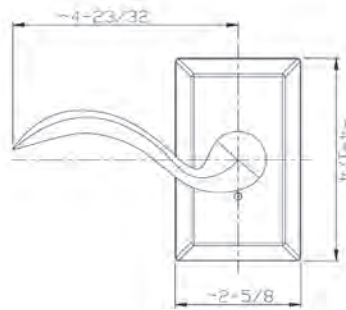
Door Prep	Cross bore: 2-1/8" Edge bore: 1" Latch face: 1" x 2-1/4"	Latches	Entrance: 2-3/8" & 2-3/4" adjustable (9050R) Passage/Privacy: 2-3/8" & 2-3/4" adjustable (9079R) Faceplate: 1" x 2-1/4" round corner Bolt: 1/2" Solid Brass throw
Backset	Fits 2-3/8" and 2-3/4"	Strikes	1-3/4" x 2-1/4" full lip round corner (9103)
Door Thickness	1-3/8" ~ 1-3/4" door standard.	Wood Screws	Combination screws that suit both wood or metal door mounting
Cylinder	SC4 6-pin standard . KW1 5-Pin Optional. SC1 5-Pin Optional. Entries packed KA4	Door Handing	Specify LH or RH for Entry and Dummy. Privacy and Passage functions are Reversible

TIARA

Shown in Aged Black



Square



Model	Function	WT/CTN	CTN QTY	ABR Aged Bronze		ABK Aged Black	
				Item No.	List Price	Item No.	List Price
500T-TI	Entrance	20 Lbs	4 Pcs	691600S (L/R)	\$224.00	691609S (L/R)	\$224.00
501T-TI	Passage	28 Lbs	6 Pcs	694600S	\$185.00	694609S	\$185.00
502T-TI	Privacy	28 Lbs	6 Pcs	692600S	\$186.00	692609S	\$186.00
515TB-TI	Dummy	24 Lbs	12 Pcs	695600S (L/R)	\$93.00	695609S (L/R)	\$93.00



DELANEY®

DELANEY. WHERE STYLE MEETS SECURITY.

ENTRANCE HARDWARE

Grade 3

Avino
Kellington
Tralee
Wicklow

Grade 2

Katana
Waterford

Grade 3 Deadbolts

Traditional
Contemporary

Grade 2 Deadbolts

Traditional

Avino in
Matte Black

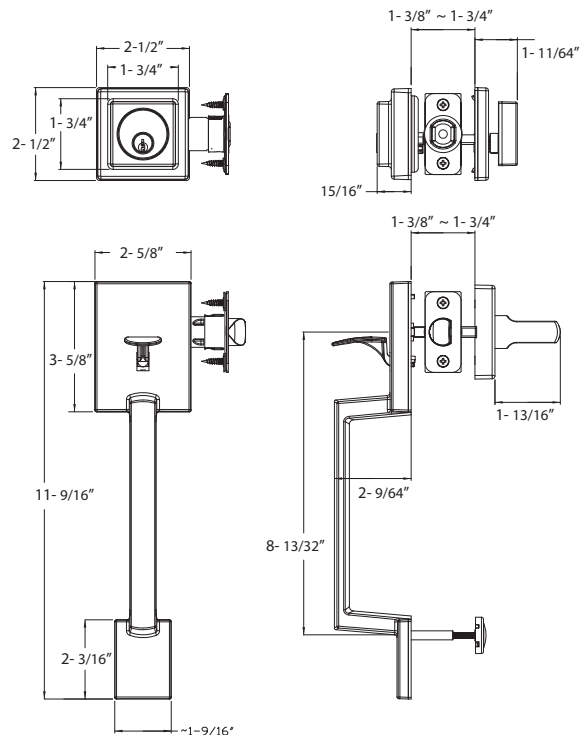
DELANEY® ENTRANCE HANDLESETS

Specifications

Door Prep	Deadbolt cross bore: 2-1/8" Handleset cross bore: 2-1/8" Edge bore: 1" Latch face: 1" x 2-1/4" Mounting (center to center): 5-1/2" recommended	Strikes	Deadbolt: 2-1/4" Rd. and Sq. corner (9111 and 9117) Thumbpiece: 2-1/4" full lip round corner (9103)
		Cylinder	GR3 KW1 5-pin Standard, SC1 Optional GR2 SC1 5-pin Standard, KW1 Optional. Handlesets packed KD
Backset	Fits 2-3/8" and 2-3/4"	Door Handing	Specify handing when ordering lever as interior option
Latches	Deadbolt: 2-3/8" and 2-3/4" adjustable (9092) Faceplate: 1" x 2-1/4" round corner Bolt: Solid Brass with hardened steel rod, full 1" throw Handle: 2-3/8" and 2-3/4" adjustable (9074) (for lever and knob) Faceplate: 1" x 2-1/4" round corner Bolt: Solid Brass 1/2" throw	Door Thickness	1-3/8" ~ 1-3/4" door standard 2-1/4" Ext. Kits Available
		Wood Screws	Combination screws that suit both wood or metal door mounting. Includes 3" Security Screws

AVINO

Shown in Satin Nickel



BOX PACK

Model	Function	WT/CTN	CTN QTY		US15 Satin Nickel	US26 Bright Chrome	US19 Matte Black
400-AV	Single Cylinder	42 lbs	10 Pcs	Item No.	D40201	D40206	D40209
				List Price	\$201.30	\$201.30	\$209.90
405-AV	Dummy	35 lbs	10 Pcs	Item No.	D45201	D45206	D45209
				List Price	\$179.30	\$179.30	\$187.00

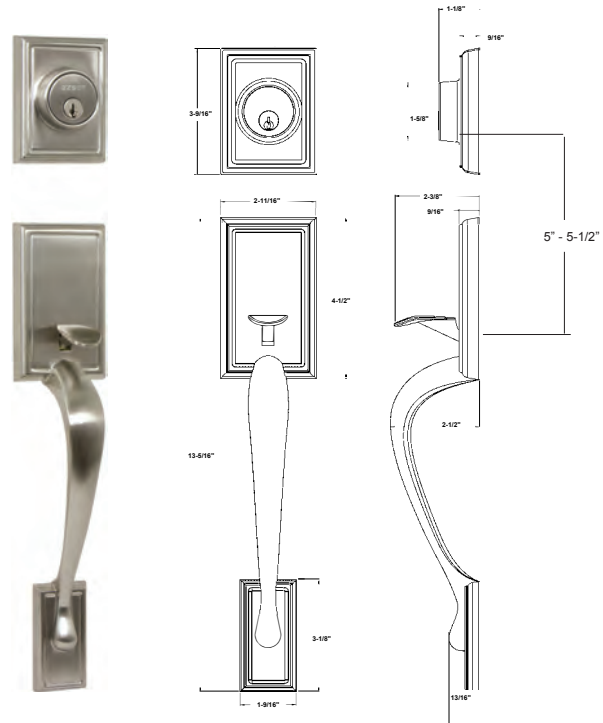
VISUAL PACK

AVINO HANDLESET WITH KP300 DIGITAL TOUCHPAD DEADBOLT

Model	Function	WT/CTN	CTN QTY		US15 Satin Nickel	US26 Bright Chrome	US19 Matte Black
430-AV/VI (VIDA Int)	Single Cylinder w/ Electronic Deadbolt	27 lb	4 Pcs	Item No.	D43201V	D43206V	D43209V
				List Price	\$321.30	\$321.30	\$329.90
430-AV/KI (KIRA Int)	Single Cylinder w/ Electronic Deadbolt	27 lb	4 Pcs	Item No.	D43201K	D43206K	D43209K
				List Price	\$321.30	\$321.30	\$329.90

KELLINGTON

Shown in Satin Nickel

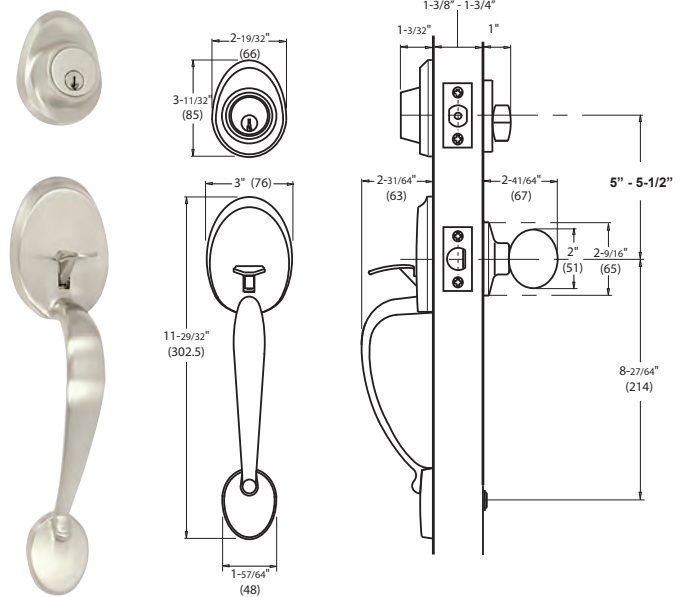


BOX PACK

Model	Function	WT/CTN	CTN QTY		US15 Satin Nickel	US19 Matte Black	US12P Tuscany Bronze
400-KN	Single Cylinder	33 lbs	10 Pcs	Item No.	240600	240607	240612
				List Price	\$165.60	\$186.90	\$186.90
405-KN	Dummy	33 lbs	10 Pcs	Item No.	240601	240617	240657
				List Price	\$149.30	\$167.90	\$167.90

TRALEE

Shown in Satin Nickel

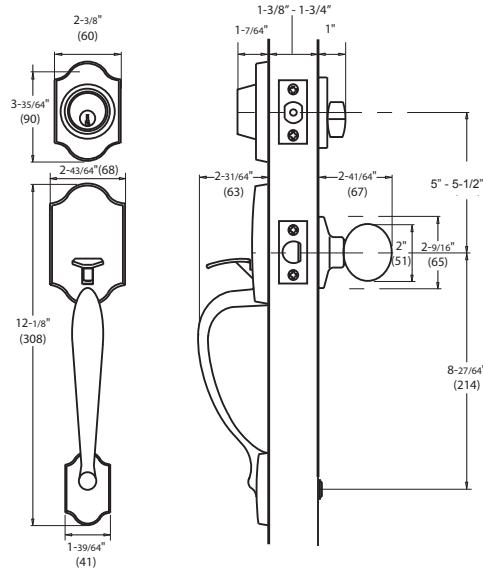


BOX PACK

Model	Function	WT/CTN	CTN QTY		US15 Satin Nickel	US12P Tuscany Bronze
400-TR	Single Cylinder	33 lbs	10 Pcs	Item No.	D40700	D40712
				List Price	\$165.60	\$186.90
405-TR	Dummy	33 lbs	10 Pcs	Item No.	D40701	D40757
				List Price	\$149.30	\$167.90

WICKLOW

Shown in Satin Nickel



BOX PACK

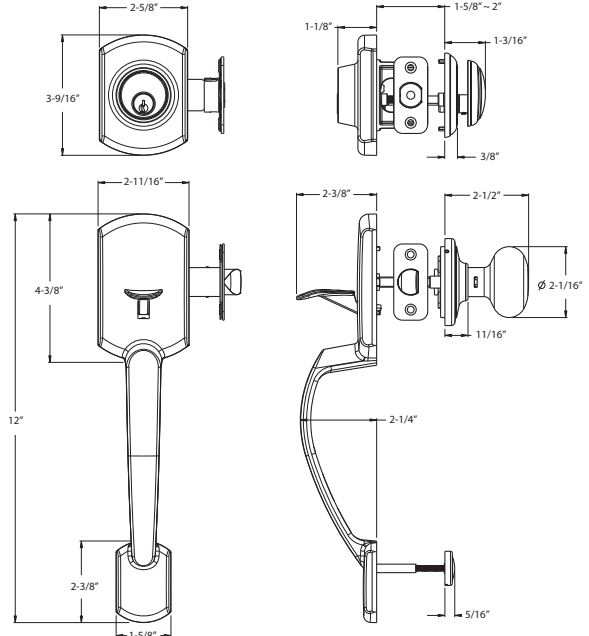
Model	Function	WT/CTN	CTN QTY	US15 Satin Nickel
400-WI	Single Cylinder	33 lbs	4 Pcs	Item No. D40900
				List Price \$165.60
405-WI	Dummy	33 lbs	4 Pcs	Item No. D40901
				List Price \$149.30

KATANA GRADE 2

Shown in Satin Nickel



AUBRYN INTERIOR



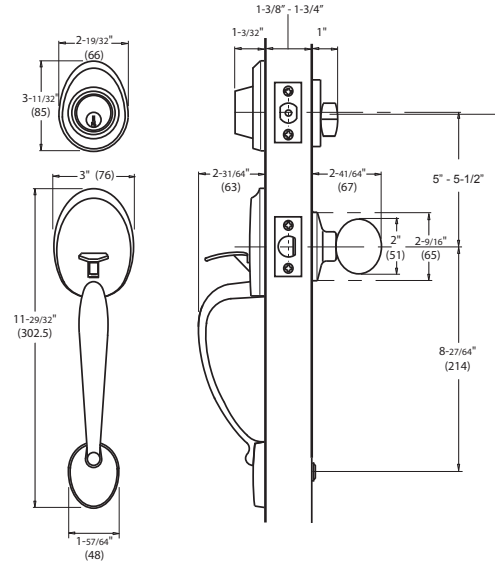
VISUAL PACK

Model	Function	WT/CTN	CTN QTY	US15 Satin Nickel	US26 Bright Chrome	US19 Matte Black	US12P Tuscany Bronze
GR2 400-KA/AU	Single Cylinder	28 Lbs	4 Pcs	Item No. 340100	340102	340109	340107
				List Price \$234.30	\$234.30	\$241.30	\$241.30
GR2 405-KA/AU	Dummy	24 Lbs	4 Pcs	Item No. 340101	340112	340119	340117
				List Price \$227.60	\$227.60	\$231.60	\$231.60

Aubryn Interior comes standard packed in the box.

WATERFORD GRADE 2

Shown in Satin Nickel



VISUAL PACK

Model	Function	WT/CTN	CTN QTY		US15 Satin Nickel	US3 Bright Brass	US19 Matte Black	US12P Tuscany Bronze
GR2 VB-400-WF/AU	Single Cylinder	41 Lbs	4 Pcs	Item No.	340800	340803	340809	340810
				List Price	\$281.90	\$275.60	\$288.00	\$288.00
GR2 VB-405-WF/AU	Dummy	36 Lbs	4 Pcs	Item No.	340801	340813	340819	340811
				List Price	\$275.60	\$261.90	\$280.30	\$280.30

Aubryn Interior comes standard packed in the box.

INTERIOR KNOB OPTIONS

GRADE 3

GRADE 2



Style	Function		US15 Satin Nickel	US3 Bright Brass	US19 Matte Black	US12P Tuscany Bronze
Belton - BT	Interior	Item No.	217322	—	217329	217327
		List Price	\$13.00		\$13.60	\$13.60
Derby - RB	Interior	Item No.	217820	—	—	217827
		List Price	\$14.00			\$14.30
Galway - GL	Interior	Item No.	217522	217523	—	—
		List Price	\$13.60	\$15.00		
Olivia - OL	Interior	Item No.	217422	—	217429	217427
		List Price	\$14.00		\$14.70	\$14.70
Brookhaven-Round	Interior	Item No.	D17220R	—	D17229R	—
		List Price	\$17.00		\$17.00	
Brookhaven-Square	Interior	Item No.	D17220S	—	D17229S	—
		List Price	\$17.00		\$17.00	
Aubryn - AU	Interior	Item No.	317522	—	317529	317527
		List Price	\$19.10		\$23.30	\$23.30
Orlyn - OR	Interior	Item No.	317420	—	—	317427
		List Price	\$19.10			\$23.30

INTERIOR LEVER OPTIONS

For 405-Dummy Handleset Interior, list Dummy Knob or Dummy Lever as separate item.



Style	Function	US15		US3		US26		US19		US12P	
		Item No.	Satin Nickel	Item No.	Bright Brass	Item No.	Bright Chrome	Item No.	Matte Black	Item No.	Tuscany Bronze
Cira - CI	Interior	Item No.	350571	—	—	350576	—	—	—	—	—
		List Price	\$38.60			\$38.60					
Dayton - DT	Interior	Item No.	D27720 (L/R)	—	—	D27726 (L/R)	—	—	—	—	—
		List Price	\$16.60			\$16.60					
ET Style - ET	Interior	Item No.	227320	—	—	—	—	—	—	—	—
		List Price	\$16.60								
Kerry - KY	Interior	Item No.	227420	—	—	—	—	—	—	227427	—
		List Price	\$17.00							\$17.50	
Kira - KR (Turnbutton)	Interior	Item No.	352571	—	—	352576	—	352579	—	352577	—
		List Price	\$55.90			\$55.90		\$59.50		\$59.50	
Lashbrook - LB	Interior	Item No.	327821 (L/R)	327823 (L/R)	—	—	—	317829 (L/R)	—	327827 (L/R)	—
		List Price	\$24.60	\$24.60				\$25.20		\$25.20	
Logan - LO	Interior	Item No.	227820 (L/R)	—	—	—	—	227829 (L/R)	—	227827 (L/R)	—
		List Price	\$17.00					\$17.50		\$17.50	
Milton - MO	Interior	Item No.	227520	—	—	227526	—	227529	—	227527	—
		List Price	\$17.50			\$17.50		\$21.30		\$21.30	
RD Lever	Interior	Item No.	D50751	—	—	D50756	—	D50759	—	—	—
		List Price	\$20.90			\$20.90		\$22.00			
VL Lever	Interior	Item No.	D54751	—	—	—	—	—	—	—	—
		List Price	\$22.00								
Tulina - TA (Round)	Interior	Item No.	D27220	—	—	D27226	—	D27229	—	D27227	—
		List Price	\$17.00			\$17.00		\$17.50		\$17.50	
Tulina-TA (Square)	Interior	Item No.	D27220S	—	—	D27226S	—	D27229S	—	D27227S	—
		List Price	\$20.90			\$20.90		\$22.00		\$22.00	
Vida - VI (Round)	Interior	Item No.	351571	—	—	351576	—	351579	—	351577	—
		List Price	\$38.60			\$38.60		\$39.60		\$39.60	
Vida - VI (Square)	Interior	Item No.	353571	—	—	353576	—	353579	—	353577	—
		List Price	\$55.90			\$55.90		\$59.50		\$59.50	
Voncet - VT	Interior	Item No.	327420	—	—	—	—	—	—	—	—
		List Price	\$26.50								

Specifications

Door Prep	Cross bore: 1-3/4" or 2-1/8" cross bore Edge bore: 1" Latch face: 1" x 2-1/4" *205's Require Special 1-3/4" or 2-1/8" Cross Bore	Latches	Deadbolt: 2-3/8" and 2-3/4" 6-way adjustable (9092) Faceplate: 1" x 2-1/4" round corner Bolt: 1" Solid Brass throw with hardened steel rod
Backset	Fits 2-3/8" and 2-3/4"	Strikes	2-1/4" full lip round corner (9113 and 9117)
Door Thickness	1-3/8" ~ 1-3/4" standard. 2-1/4" Ext. Kit Available	Wood Screws	Combination screws that suit both wood or metal door mounting
Cylinder KW1 5-pin standard. SC1 5-Pin optional (Single Cylinder only). Packed KA5			

TRADITIONAL DEADBOLTS

Shown in Satin Nickel



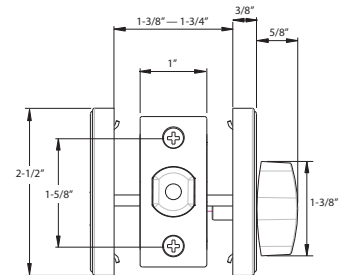
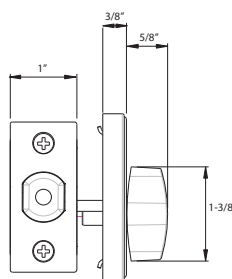
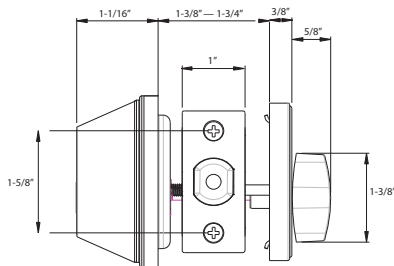
Single Cylinder (200)



One-Sided Half Bore (205)



One-Sided Full Bore (206)



BOX PACK

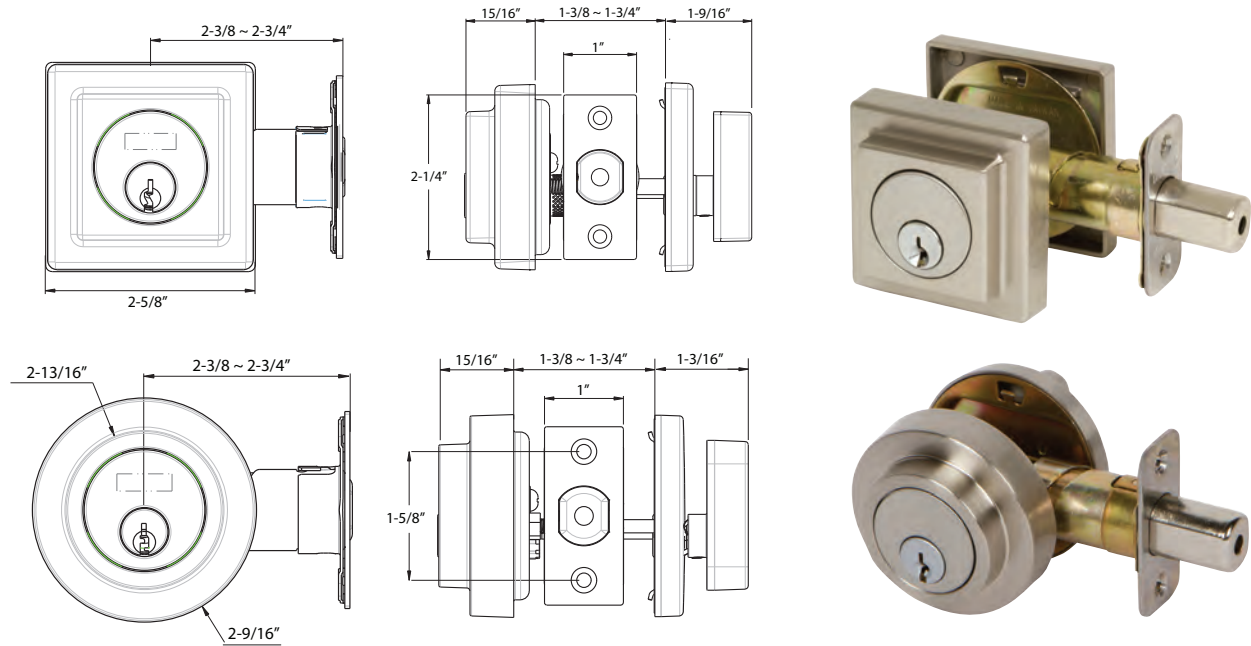
Model	Function	WT/ LB	CTN QTY		US5 Antique Brass	US32D Satin Stainless Steel	US15 Satin Nickel	US26 Bright Chrome	US19 Matte Black	US12P Tuscany Bronze
200-B	Single Cylinder	27 lb	20 Pcs	Item No.	—	D31002	D31004	D31006	D31009	D31007
				List Price		\$30.90	\$30.90	\$30.90	\$31.90	\$31.90
205-S	One-Sided (Half Bore)	15 lb	20 Pcs	Item No.	—	D35002	D35004	D35006	D35009	—
				List Price		\$16.20	\$17.90	\$17.90	\$21.20	
206-S	One-Sided (Full Bore)	15 lb	20 Pcs	Item No.	—	D36002	D36004	—	—	—
				List Price		\$20.75	\$22.90			
	Turn Button Only		Each	Item No.	D32005	D32002	D32008	D32006	D32009	D32007
				List Price	\$10.00	\$10.00	\$10.00	\$10.00	\$10.00	\$10.00

Specifications

Door Prep	Cross bore: 2-1/8" Edge bore: 1" Latch face: 1" x 2-1/4"	Latches	2-3/8" and 2-3/4" adjustable (9092) Faceplate: 1" x 2-1/4" round corner Bolt: Brass with hardened steel rod. Full 1" throw
Backset	Fits 2-3/8" and 2-3/4"	Strikes	1-3/4" x 2-1/4" Rd and Sq Corner (9113 and 9117) Includes Reinforcement Strike
Door Thickness	1-3/8" ~ 1-3/4" door standard , 2-1/4" Ext. Kit Available	Wood Screws	Combination screws that suit both wood or metal door mounting. Includes 3" Security Screws
Cylinder	KW1 5-Pin standard / SC1 5-pin Optional Deadbolts packed KA4		

CONTEMPORARY DEADBOLTS

Shown in Satin Nickel



BOX PACK

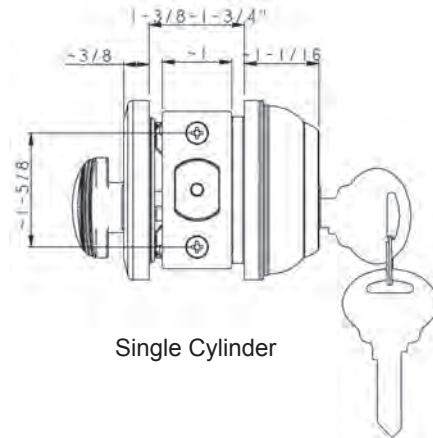
Model	Function	WT/LB	CTN QTY		US15 Satin Nickel	US26 Bright Chrome	US19 Matte Black	US12P Tuscany Bronze
200-LTS	Square Single Cylinder	20 lb	12 Pcs	Item No.	355001	355006	355009	355007
				List Price	\$58.90	\$58.90	\$64.30	\$64.30
205-LTS	Square One-Sided (Half Bore)	13 lb	12 Pcs	Item No.	353001	353006	353009	—
				List Price	\$38.95	\$38.95	\$42.95	
200-LTR	Round Single Cylinder	20 lb	12 Pcs	Item No.	345001	—	345009	—
				List Price	\$56.30		\$58.50	
	Square Turn Button		12 Pcs	Item No.	310601	310606	310619	310610
				List Price	\$25.00	\$25.00	\$25.00	\$25.00

Specifications

Door Prep	Cross bore: 2-1/8" Edge bore: 1" Latch face: 1" x 2-1/4"	Latches	2-3/8" and 2-3/4" adjustable (9092 UL) Faceplate: 1" x 2-1/4" round corner Bolt: Brass with hardened steel rod. Full 1" throw
Backset	Fits 2-3/8" and 2-3/4"	Strikes	1-3/4" x 2-1/4" Rd and Sq Corner (9111 and 9117) Includes Reinforcement Strike
Door Thickness	1-3/8" ~ 1-3/4" door standard 2-1/4" Ext. Kit Available	Wood Screws	Combination screws that suit both wood or metal door mounting Includes 3" Security Screws
Cylinder	Visual Packaging- SC1 5-pin standard Deadbolts packed KA6	Grade 2 Features in Visual Packaging	Protective Collar 3-Hr Fire Latch High Security Strike Plate Assembly

GRADE 2 TRADITIONAL DEADBOLTS

Shown in Satin Nickel



Single Cylinder

VISUAL PACK

Model	Function	WT/LB	CTN QTY	Finish Options				
				US3 Bright Brass	US15 Satin Nickel	US19 Matte Black	US12P Tuscany Bronze	
200-LU-G2	Single Cylinder	27 lb	6 Pcs	Item No.	330603	330601	330609	330610
				List Price	\$47.90	\$47.90	\$60.30	\$60.30



DELANEY[®]

DELANEY. WHERE STYLE MEETS SECURITY.

KNOBS & LEVERS

Grade 3

Knobs

Brookhaven
Belton
Derby
Galway
Olivia

Traditional Levers

Dayton
ET Lever
Kerry
Logan
Milton

Contemporary Levers

Tulina
RD
VL
Cira
Kira
Vida

Grade 2

Knobs

Aubryn
Orlyn

Levers

Lashbrook
Mircet
Voncet



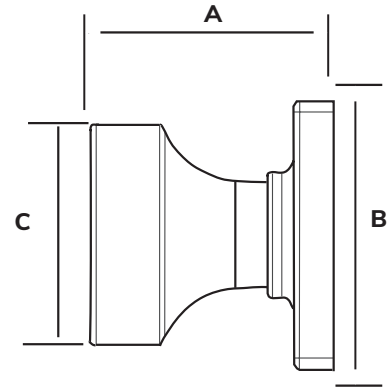
Olivia in
Satin Nickel

Specifications

Door Prep	Cross bore: 2-1/8" Edge bore: 1" Latch face: 1" x 2-1/4"	Latches (6-Way Available)	Entrance: 2-3/8" and 2-3/4" 6-way adjustable (9073) Passage/Privacy: 2-3/8" and 2-3/4" 6-way adjustable (9074) Faceplate: 1" x 2-1/4" round corner Bolt: 1/2" throw
Backset	Fits 2-3/8" and 2-3/4"	Strikes	1-3/4" x 2-1/4" full lip round corner (9103)
Door Thickness	1-3/8" ~ 1-3/4" door standard	Wood Screws	Combination screws that suit both wood or metal door mounting
Cylinder	KW1 5-pin standard SC1 5-Pin optional. Entries packed KA5		



Dimensions



Design	A	B	C
Square Trim	2-1/4"	2-9/16"	1-7/8"
Round Trim	2-1/4"	2-9/16"	1-7/8"

BROOKHAVEN KNOB

Introducing the Brookhaven by Delaney Hardware. Featuring a clean, contemporary design, the Brookhaven complements today's more modern aesthetic. Available in both matte black or satin nickel finish and either round or square trim options, our newest knobset features the superior quality, finish and durability we're known for at Delaney.

Brookhaven Round Trim

Model	Function	WT/CTN	CTN QTY	US15 Satin Nickel		US19 Matte Black	
				Item No.	List Price	Item No.	List Price
100T-BH	Entrance	24 lb	12 Pcs	D11220R	\$33.60	D11229R	\$41.60
101T-BH	Passage	22 lb	12 Pcs	D14220R	\$28.40	D14229R	\$36.40
102T-BH	Privacy	22 lb	12 Pcs	D12220R	\$31.20	D12229R	\$39.20
115T-BH	Dummy	21 lb	12 Pcs	D15220R	\$12.80	D15229R	\$16.40

Brookhaven Square Trim

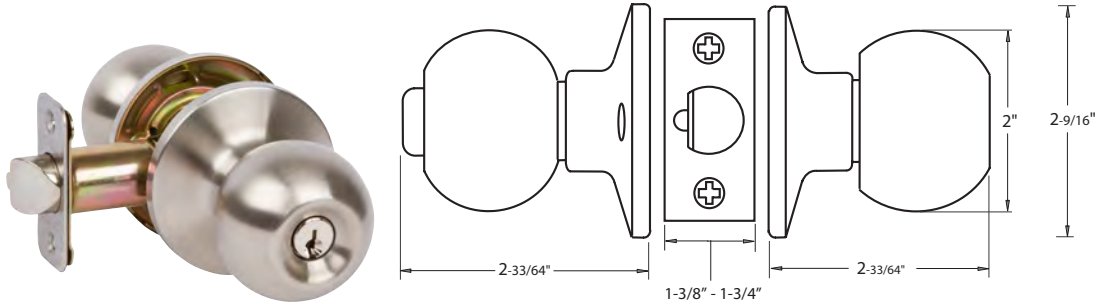
Model	Function	WT/CTN	CTN QTY	US15 Satin Nickel		US19 Matte Black	
				Item No.	List Price	Item No.	List Price
100T-BH	Entrance	24 lb	12 Pcs	D11220S	\$35.20	D11229S	\$43.20
101T-BH	Passage	22 lb	12 Pcs	D14220S	\$29.60	D14229S	\$37.60
102T-BH	Privacy	22 lb	12 Pcs	D12220S	\$32.40	D12229S	\$40.40
115T-BH	Dummy	21 lb	12 Pcs	D15220S	\$13.60	D15229S	\$16.80

Specifications

Door Prep	Cross bore: 2-1/8" Edge bore: 1" Latch face: 1" x 2-1/4"	Latches	Entrance: 2-3/8" and 2-3/4" 6-way adjustable (9073) Passage/Privacy: 2-3/8" and 2-3/4" 6-way adjustable (9074) Faceplate: 1" x 2-1/4" round corner Bolt: 1/2" throw
Backset	Fits 2-3/8" and 2-3/4"	Strikes	1-3/4" x 2-1/4" full lip round corner (9103)
Door Thickness	1-3/8" ~ 1-3/4" door standard	Wood Screws	Combination screws that suit both wood or metal door mounting
Cylinder	KW1 5-pin standard SC1 5-Pin optional. Entries packed KA5		

BELTON

Shown in Satin Stainless Steel

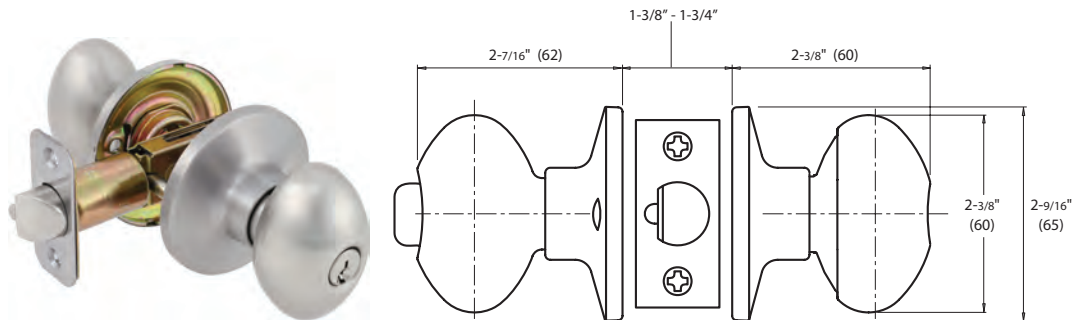


BOX PACK

Model	Function	WT/LB	CTN QTY		US32D Satin Stainless Steel	US19 Matte Black	US12P Tuscany Bronze
100T - BT	Entrance	27 lb	20 Pcs	Item No.	D11322	D11329	D11327
				List Price	\$27.60	\$32.30	\$32.30
101T - BT	Passage	22 lb	20 Pcs	Item No.	D14322	D14329	D14327
				List Price	\$19.30	\$27.90	\$27.90
102T - BT	Privacy	22 lb	20 Pcs	Item No.	D12322	D12329	D12327
				List Price	\$22.30	\$29.30	\$29.30
115T - BT	Dummy	9 lb	20 Pcs	Item No.	D15322	D15329	D15327
				List Price	\$10.30	\$12.30	\$12.30

DERBY

Shown in Satin Nickel

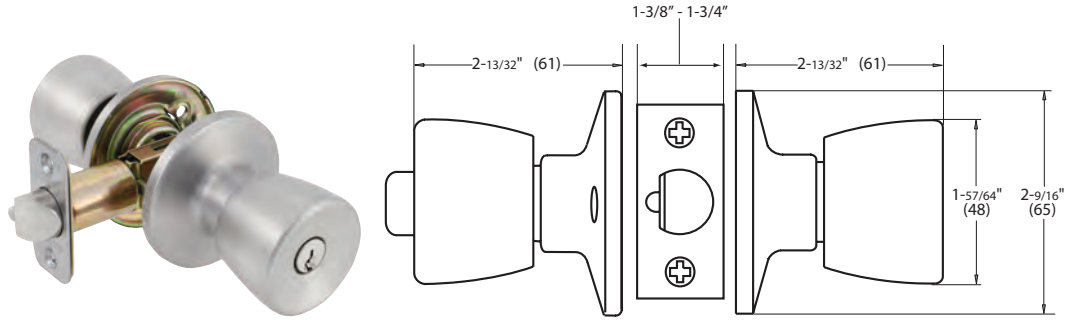


BOX PACK

Model	Function	WT/LB	CTN QTY		US15 Satin Nickel	US12P Tuscany Bronze
100T - RB	Entrance	27 lb	20 Pcs	Item No.	D11820	D11827
				List Price	\$32.60	\$35.60
101T - RB	Passage	22 lb	20 Pcs	Item No.	D14820	D14827
				List Price	\$26.00	\$29.30
102T - RB	Privacy	22 lb	20 Pcs	Item No.	D12820	D12827
				List Price	\$26.90	\$30.30
115T - RB	Dummy	9 lb	20 Pcs	Item No.	D15820	D15827
				List Price	\$11.90	\$13.00

GALWAY

Shown in Satin Stainless Steel

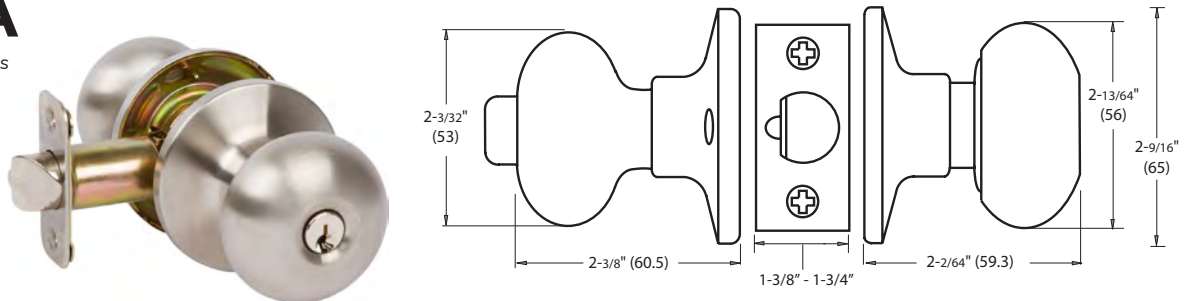


BOX PACK

Model	Function	WT/LB	CTN QTY	US3 Bright Brass		US32D Satin Stainless Steel
				Item No.	List Price	Item No.
100T - GL	Entrance	27 lb	20 Pcs	Item No.	D11523	D11522
				List Price	\$24.00	\$22.30
101T - GL	Passage	22 lb	20 Pcs	Item No.	D14523	D14522
				List Price	\$18.00	\$16.90
102T - GL	Privacy	22 lb	20 Pcs	Item No.	D12523	D12522
				List Price	\$18.90	\$18.60
115T - GL	Dummy	9 lb	20 Pcs	Item No.	D15523	D15522
				List Price	\$9.30	\$8.60
300T - GL	Combo	52 lb	10 Pcs	Item No.	—	D18522
				List Price		\$48.30

OLIVIA

Shown in Satin Stainless Steel



BOX PACK

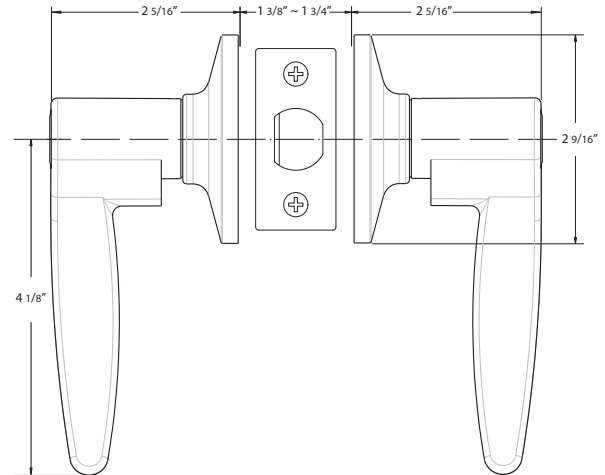
Model	Function	WT/LB	CTN QTY	US32D Satin Stainless Steel			US19 Matte Black	US12P Tuscany Bronze
				Item No.	List Price	Item No.	List Price	Item No.
100T - OL	Entrance	27 lb	20 Pcs	Item No.	D11422	D11429	D11427	
				List Price	\$28.90	\$36.60	\$36.60	
101T - OL	Passage	22 lb	20 Pcs	Item No.	D14422	D14429	D14427	
				List Price	\$21.60	\$30.90	\$30.90	
102T - OL	Privacy	22 lb	20 Pcs	Item No.	D12422	D12429	D12427	
				List Price	\$22.90	\$32.30	\$32.30	
115T - OL	Dummy	9 lb	20 Pcs	Item No.	D15422	D15429	D15427	
				List Price	\$11.00	\$14.60	\$14.60	

Specifications

Door Prep	Cross bore: 2-1/8" Edge bore: 1" Latch face: 1" x 2-1/4"	Latches <i>(6-Way Available)</i>	Entrance: 2-3/8" and 2-3/4" 6-way adjustable (9073) Passage/Privacy: 2-3/8" and 2-3/4" 6-way adjustable (9074) Faceplate: 1" x 2-1/4" round corner Bolt: 1/2" throw
Backset	Fits 2-3/8" and 2-3/4"	Strikes	1-3/4" x 2-1/4" full lip round corner (9103)
Door Thickness	1-3/8" ~ 1-3/4" door standard	Wood Screws	Combination screws that suit both wood or metal door mounting
Cylinder	KW1 5-pin standard SC1 5-Pin optional. Entries packed KA5	Door Handing	Reversible Lever Handing required for dummy function and Handleset interior

DAYTON

Shown in Satin Nickel

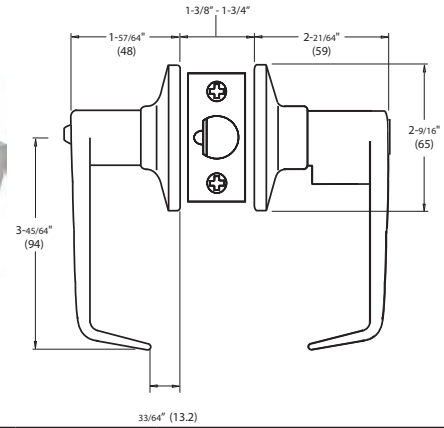


BOX PACK

Model	Function	WT/CTN	CTN QTY	US15 Satin Nickel			US26 Bright Chrome	US19 Matte Black
				Item No.	D20720P	D20726P	D20729P	
500T - DT	Push Button Entrance (Panic Proof)	26 lb	20 Pcs	Item No.	D20720P	D20726P	D20729P	
				List Price	\$47.30	\$47.30	\$51.30	
501T - DT	Passage	23 lb	20 Pcs	Item No.	D24720	D24726	D24729	
				List Price	\$34.30	\$34.30	\$36.60	
502T - DT	Push Button Privacy (Panic Proof)	24 lb	20 Pcs	Item No.	D22720P	D22726P	D22729P	
				List Price	\$39.90	\$39.90	\$42.00	
515T - DT	Dummy	15 lb	20 Pcs	Item No.	D25720 (L/R)	D25726 (L/R)	D25729 (L/R)	
				List Price	\$19.00	\$19.00	\$21.00	

ET LEVER

Shown in Satin Nickel



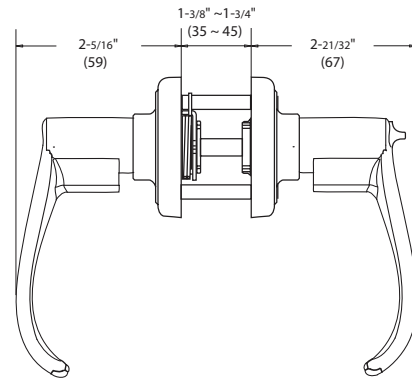
ADA Compliant
Panic Proof Function

BOX PACK

Model	Function	WT/CTN	CTN QTY	US15 Satin Nickel	
500T - ET	Push Button Entrance (Panic Proof)	26 lb	20 Pcs	Item No.	D20320P
				List Price	\$47.30
504T - ET	Storeroom	26 lb	20 Pcs	Item No.	D26320
				List Price	\$47.30
501T - ET	Passage	23 lb	20 Pcs	Item No.	D24320
				List Price	\$33.30
502TP - ET	Push Button Privacy (Panic Proof)	24 lb	20 Pcs	Item No.	D22320P
				List Price	\$39.60
515T - ET	Dummy	15 lb	20 Pcs	Item No.	D25320
				List Price	\$18.30

KERRY

Shown in Satin Nickel

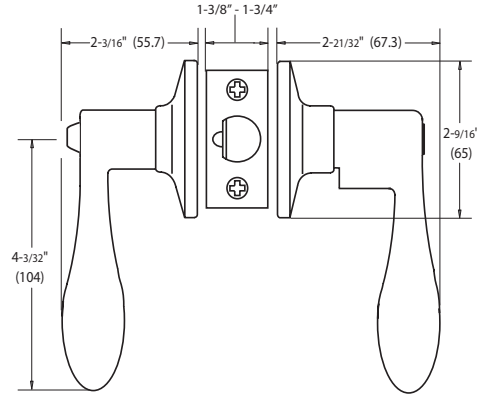


BOX PACK

Model	Function	WT/CTN	CTN QTY	US15 Satin Nickel	US12P Tuscany Bronze
500T - KY	Push Button Entrance (Panic Proof)	26 lb	20 Pcs	Item No.	D20420P
				List Price	\$46.90
501T - KY	Passage	23 lb	20 Pcs	Item No.	D24420
				List Price	\$33.90
502T - KY	Push Button Privacy (Panic Proof)	24 lb	20 Pcs	Item No.	D22420P
				List Price	\$39.60
515T - KY	Dummy	15 lb	20 Pcs	Item No.	D25420
				List Price	\$18.30

LOGAN

Shown in Satin Nickel

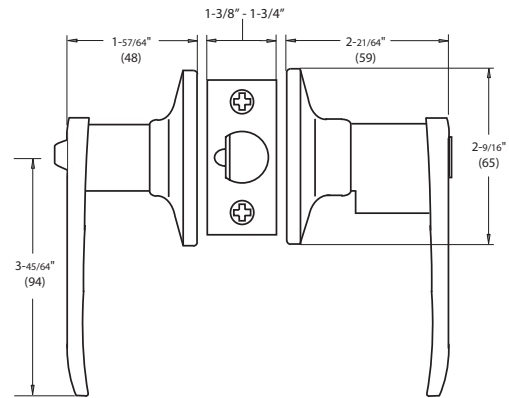


BOX PACK

Model	Function	WT/ CTN	CTN QTY	US15 Satin Nickel		US26 Bright Chrome		US19 Matte Black		US12P Tuscany Bronze	
				Item No.	List Price	Item No.	List Price	Item No.	List Price	Item No.	List Price
500T-LO	Push Button Entrance (Panic Proof)	26 lb	20 Pcs	Item No.	D20820P	D20826P	D20829P	D20827P			
				List Price	\$47.30	\$47.30	\$51.30	\$51.30			
501T-LO	Passage	23 lb	20 Pcs	Item No.	D24820	D24826	D24829	D24827			
				List Price	\$34.30	\$34.30	\$37.30	\$37.30			
502T-LO	Push Button Privacy (Panic Proof)	24 lb	20 Pcs	Item No.	D22820P	D22826P	D22829P	D22827P			
				List Price	\$39.90	\$39.90	\$42.00	\$42.00			
515T-LO	Dummy	15 lb	20 Pcs	Item No.	D25820 (L/R)	D25826 (L/R)	D25829 (L/R)	D25827 (L/R)			
				List Price	\$19.00	\$19.00	\$19.60	\$19.60			

MILTON

Shown in Satin Nickel



BOX PACK

Model	Function	WT/ CTN	CTN QTY	US15 Satin Nickel		US26 Satin Chrome		US26 Bright Chrome		US12P Tuscany Bronze		US19 Matte Black	
				Item No.	List Price	Item No.	List Price	Item No.	List Price	Item No.	List Price		
500T - MO	Push Button Entrance (Panic Proof)	26 lb	20 Pcs	Item No.	D20520P	D20522P	D20526P	D20527P	D20529P				
				List Price	\$50.90	\$50.90	\$50.90	\$51.30	\$51.30				
501T- MO	Passage	23 lb	20 Pcs	Item No.	D24520	D24522	D24526	D24527	D24529				
				List Price	\$33.00	\$33.00	\$33.00	\$37.30	\$37.30				
502T- MO	Push Button Privacy (Panic Proof)	24 lb	20 Pcs	Item No.	D22520P	D22522P	D22526P	D22527P	D22529P				
				List Price	\$39.60	\$39.60	\$39.60	\$42.30	\$42.30				
515T- MO	Dummy	15 lb	20 Pcs	Item No.	D25520	D25522	D25526	D25527	D25529				
				List Price	\$18.60	\$18.60	\$18.60	\$19.60	\$19.60				

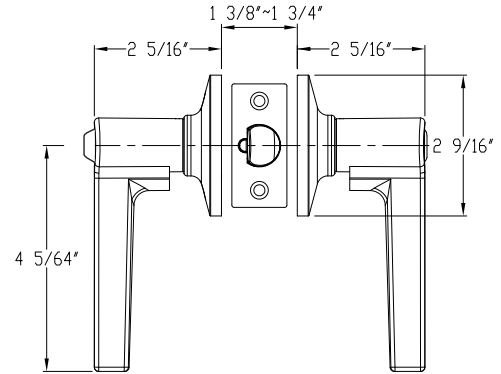
Specifications

Door Prep	Cross bore: 2-1/8" Edge bore: 1" Latch face: 1" x 2-1/4"	Latches <i>(6-Way Available)</i>	Entrance: 2-3/8" and 2-3/4" 6-way adjustable (9045R) Passage/Privacy: 2-3/8" and 2-3/4" 6-way adjustable (9079R) Faceplate: 1" x 2-1/4" round corner Bolt: 1/2" throw
Backset	Fits 2-3/8" and 2-3/4"	Strikes	1-3/4" x 2-1/4" full lip round corner (9103)
Door Thickness	1-3/8" ~ 1-3/4" door standard	Wood Screws	Combination screws that suit both wood or metal door mounting
Cylinder	KW1 5-pin standard SC1 5-Pin optional. Entries packed KA5	Door Handing	Reversible Lever Handing required for dummy function and Handleset interior

TULINA

Shown in Satin Nickel

Round Trim



BOX PACK

Model	Function	WT/ CTN	CTN QTY	Finish Options			
				US15 Satin Nickel	US26 Bright Chrome	US19 Matte Black	
500T-TA Round	Push Button Entrance (Panic Proof)	26 lb	20 Pcs	Item No.	D20220P	D20226P	D20229P
				List Price	\$52.00	\$52.00	\$54.00
501T-TA Round	Passage	23 lb	20 Pcs	Item No.	D24220	D24226	D24229
				List Price	\$38.60	\$38.60	\$41.00
502T-TA Round	Push Button Privacy (Panic Proof)	24 lb	20 Pcs	Item No.	D22220P	D22226P	D22229P
				List Price	\$42.00	\$42.00	\$46.30
515T-TA Round	Dummy	15 lb	20 Pcs	Item No.	D25220	D25226	D25229
				List Price	\$22.30	\$22.30	\$25.00

TULINA

Square Trim

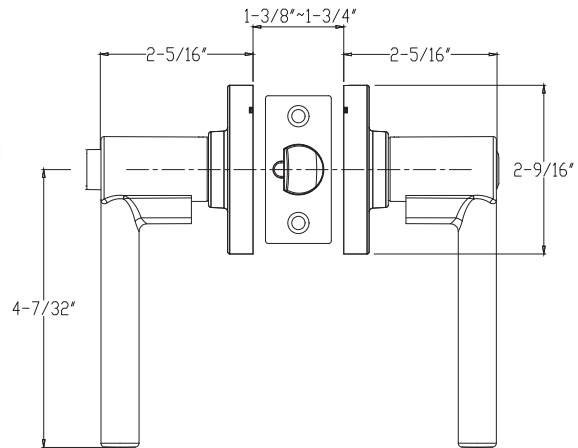
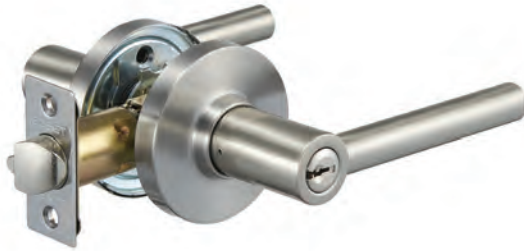


BOX PACK

Model	Function	WT/ CTN	CTN QTY	Finish Options			
				US15 Satin Nickel	US26 Bright Chrome	US19 Matte Black	
500T-TA Square	Push Button Entrance (Panic Proof)	26 lb	20 Pcs	Item No.	D20220PS	D20226PS	D20229PS
				List Price	\$57.90	\$57.90	\$67.00
501T-TA Square	Passage	23 lb	20 Pcs	Item No.	D24220S	D24226S	D24229S
				List Price	\$46.90	\$46.90	\$52.90
502T-TA Square	Push Button Privacy (Panic Proof)	24 lb	20 Pcs	Item No.	D22220PS	D22226PS	D22229PS
				List Price	\$49.90	\$49.90	\$56.90
515T-TA Square	Dummy	15 lb	20 Pcs	Item No.	D25220S	D25226S	D25229S
				List Price	\$24.00	\$24.00	\$26.00

RD LEVER

Shown in Satin Nickel



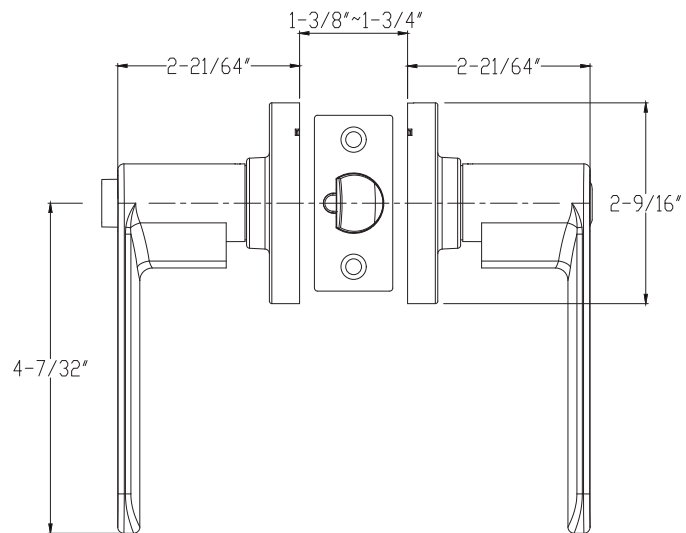
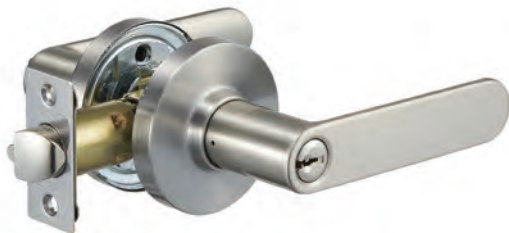
ADA Compliant
Panic Proof Function

BOX PACK

Model	Function	WT/LB	CTN QTY		US15 Satin Nickel	US26 Bright Chrome	US19 Matte Black
500T-RD	Push Button Entrance (Panic Proof)	26 lb	10 Pcs	Item No.	D50501	D50506	D50509
				List Price	\$52.00	\$52.00	\$57.00
501T-RD	Passage	23 lb	10 Pcs	Item No.	D50511	D50516	D50519
				List Price	\$38.60	\$38.60	\$46.60
502T-RD	Privacy (Panic Proof)	24 lb	10 Pcs	Item No.	D50521	D50526	D50529
				List Price	\$42.00	\$42.00	\$48.60
515T-RD	Dummy	24 lb	20 Pcs	Item No.	D50551	D50556	D50559
				List Price	\$22.30	\$22.30	\$23.00

VL LEVER

Shown in Satin Nickel



BOX PACK

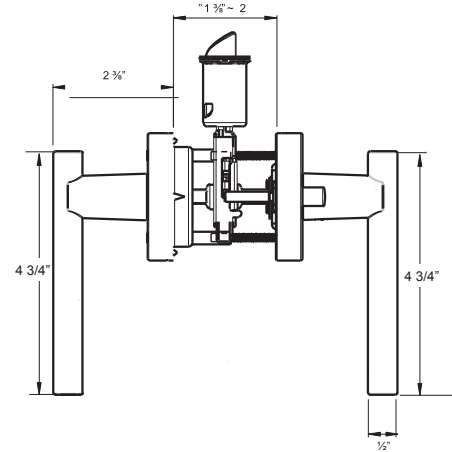
Model	Function	WT/LB	CTN QTY		US15 Satin Nickel
500T-VL	Push Button Entrance (Panic Proof)	23 lb	10 Pcs	Item No.	D54501
				List Price	\$53.60
501T-VL	Passage	23 lb	10 Pcs	Item No.	D54511
				List Price	\$43.30
502T-VL	Privacy (Panic Proof)	24 lb	10 Pcs	Item No.	D54521
				List Price	\$45.60
515T-VL	Dummy	23 lb	10 Pcs	Item No.	D54551
				List Price	\$22.00

Specifications

Door Prep	Cross bore: 2-1/8" Edge bore: 1" Latch face: 1" x 2-1/4"	Latches	Passage/Privacy: 2-3/8" and 2-3/4" 6-way adjustable (9046R) Faceplate: 1" x 2-1/4" round corner Bolt: 1/2" throw
Backset	Fits 2-3/8" and 2-3/4"	Strikes	1-3/4" x 2-1/4" full lip round corner (9103)
Door Thickness	1-3/8" ~ 1-3/4" door standard	Wood Screws	Combination screws that suit both wood or metal door mounting
Door Handing	Non-Handed, Privacy is reversible	Features	Privacy Function is Panic Proof (Push Button)

CIRA

Shown in Satin Nickel



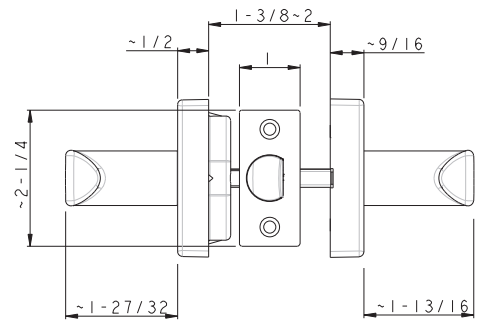
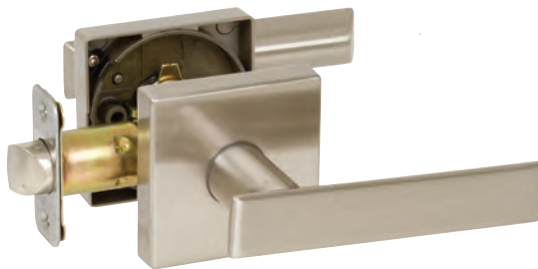
ADA Compliant
Panic Proof Function

BOX PACK

Model	Function	WT/LB	CTN QTY	US15 Satin Nickel			US26 Bright Chrome		US12P Tuscany Bronze	
				Item No.	List Price	Item No.	List Price	Item No.	List Price	
501T-CI	Passage	23 lb	10 Pcs	350511	\$50.30	350516	\$50.30	350517	\$55.60	
502T-CI	Push Button Privacy (Panic Proof)	24 lb	10 Pcs	350521	\$54.60	350526	\$54.60	350527	\$60.60	
515T-CI	Dummy	24 lb	20 Pcs	350551	\$24.90	350556	\$24.90	350557	\$28.00	

KIRA

Shown in Satin Nickel



ADA Compliant
Panic Proof Function

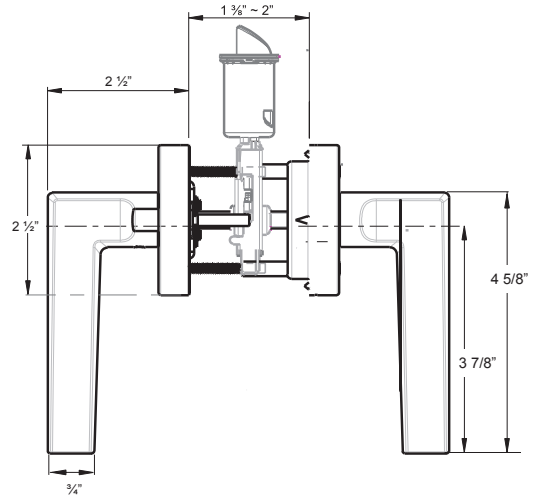
BOX PACK



Model	Function	WT/LB	CTN QTY	US15 Satin Nickel		US26 Bright Chrome		US19 Matte Black		US12P Tuscany Bronze	
				Item No.	List Price	Item No.	List Price	Item No.	List Price	Item No.	List Price
501T-KR	Passage	23 lb	10 Pcs	352511	\$70.00	352516	\$70.00	352519	\$76.90	352517	\$76.90
502T-KR	Push Button Privacy (Panic Proof)	23 lb	10 Pcs	352521L/R	\$75.00	352526L/R	\$75.00	352529L/R	\$80.60	352527L/R	\$80.60
515T-KR	Dummy	24 lb	20 Pcs	352551	\$34.30	352556	\$34.30	352559	\$37.60	352557	\$37.60

VIDA

Round Trim

Shown in Satin Nickel



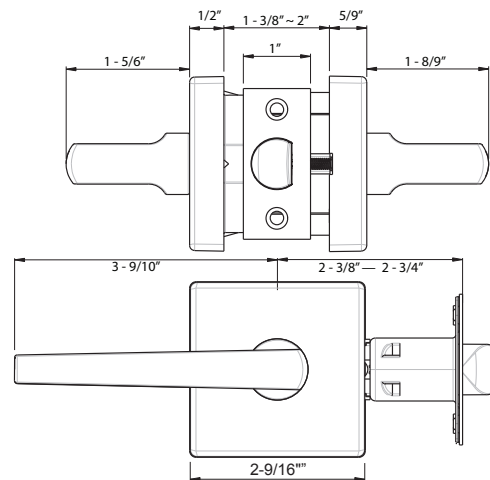
 ADA Compliant
 Panic Proof Function



BOX PACK

Model	Function	WT/LB	CTN QTY		US15 Satin Nickel	US26 Bright Chrome	US19 Matte Black
501T-VI Round	Passage	23 lb	10 Pcs	Item No.	351511	351516	351519
				List Price	\$49.60	\$49.60	\$55.60
502T-VI Round	Push Button Privacy (Panic Proof)	24 lb	10 Pcs	Item No.	351521	351526	351529
				List Price	\$53.60	\$53.60	\$60.60
515T-VI Round	Dummy	24 lb	20 Pcs	Item No.	351551	351556	351559
				List Price	\$24.30	\$24.30	\$27.60

Square Trim

Shown in Satin Nickel



 ADA Compliant
 Panic Proof Function

BOX PACK

Model	Function	WT/LB	CTN QTY		US15 Satin Nickel	US26 Bright Chrome	US19 Matte Black	US12P Tuscany Bronze
501T-VI Square	Passage	23 lb	10 Pcs	Item No.	353511	353516	353519	353517
				List Price	\$70.00	\$70.00	\$76.90	\$76.90
502T-VI Square	Push Button Privacy (Panic Proof)	24 lb	10 Pcs	Item No.	353521	353526	353529	353527
				List Price	\$75.00	\$75.00	\$80.60	\$80.60
515T-VI Square	Dummy	24 lb	20 Pcs	Item No.	353551	353556	353559	353557
				List Price	\$34.30	\$34.30	\$37.60	\$37.60

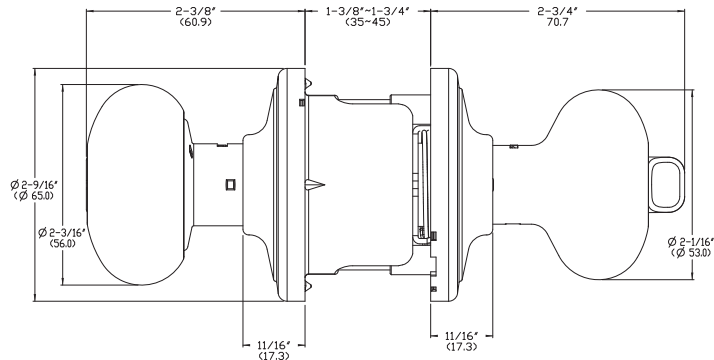
DELANEY® KNOBS GRADE 2

Specifications

Door Prep	Cross bore: 2-1/8" Edge bore: 1" Latch face: 1" x 2-1/4"	Latches	Entrance: 2-3/8" and 2-3/4" 6-way adjustable Passage/Privacy: 2-3/8" and 2-3/4" 6-way adjustable Faceplate: 1" x 2-1/4" round corner Bolt: 1/2" throw
Backset	Fits 2-3/8" and 2-3/4"	Strikes	1-3/4" x 2-1/4" full lip round corner (9103)
Door Thickness	1-3/8" ~ 1-3/4" door standard	Wood Screws	Combination screws that suit both wood or metal door mounting
Cylinder	SC1 5-pin standard. Entries packed KA4 KW1 5-pin optional	Grade 2 Features	Concealed screws Panic Proof UL Rated Full Protection Collar

AUBRYN

Shown in Satin Nickel

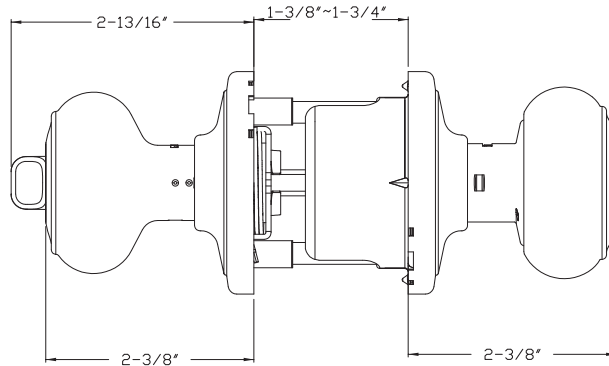


VISUAL PACK

Model	Function	WT/CTN	CTN QTY	US15			US19			US12P		
				Satin Nickel			Matte Black			Tuscany Bronze		
100TT-AU-G2	Entrance	24 lb	12 Pcs	Item No.	311522	311529	311527	List Price	\$53.60	\$59.60	\$59.60	
				Item No.	314522	314529	314527	List Price	\$39.00	\$46.30	\$46.30	
102TT-AU-G2	Privacy	22 lb	12 Pcs	Item No.	312522	312529	312527	List Price	\$40.00	\$47.60	\$47.60	
				Item No.	315522	315529	315527	List Price	\$37.00	\$43.00	\$43.00	

ORLYN

Shown in Satin Nickel



VISUAL PACK

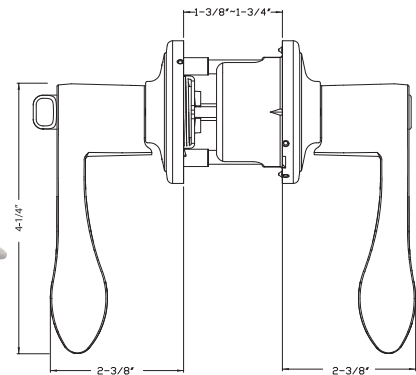
Model	Function	WT/CTN	CTN QTY	US15		US12P			
				Satin Nickel		Tuscany Bronze			
100TT-OR-G2	Entrance	24 lb	12 Pcs	Item No.	311422	311427	List Price	\$53.60	\$59.60
				Item No.	314422	314427	List Price	\$39.00	\$46.30
102TT-OR-G2	Privacy	22 lb	12 Pcs	Item No.	312422	312427	List Price	\$40.00	\$47.60
				Item No.	315422	315427	List Price	\$37.00	\$43.00

Specifications

Door Prep	Cross bore: 2-1/8" Edge bore: 1" Latch face: 1" x 2-1/4"	Latches	Entrance: 2-3/8" and 2-3/4" 6-way adjustable Passage/Privacy: 2-3/8" and 2-3/4" 6-way adjustable Faceplate: 1" x 2-1/4" round corner Bolt: 1/2" throw
Backset	Fits 2-3/8" and 2-3/4"	Strikes	1-3/4" x 2-1/4" full lip round corner (9103)
Door Thickness	1-3/8" ~ 1-3/4" door standard	Wood Screws	Combination screws that suit both wood or metal door mounting
Cylinder	SC1 5-pin standard. Entries packed KA4 KW1 5-pin optional	Grade 2 Features	Concealed screws, Panic Proof, UL Rated, Full Protection Collar
Door Handing	Reversible Lever Handing required for all functions		

LASHBROOK

Shown in Satin Nickel

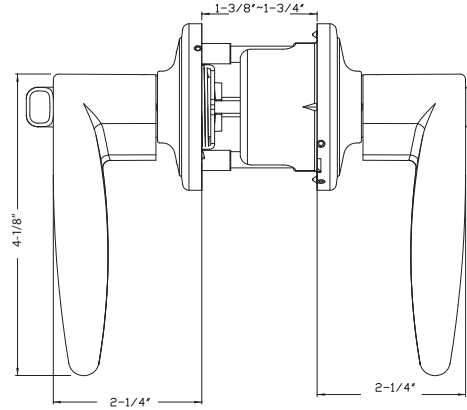


VISUAL PACK

Model	Function	WT/CTN	CTN QTY		US15 Satin Nickel	US19 Matte Black	US12P Tuscany Bronze
500TT-LB-G2	Entrance	24 lb	12 Pcs	Item No.	320820	320829	320827
				List Price	\$71.90	\$78.00	\$78.00
501TT-LB-G2	Passage	22 lb	12 Pcs	Item No.	324820	324829	324827
				List Price	\$54.00	\$60.00	\$60.00
502TT-LB-G2	Privacy	22 lb	12 Pcs	Item No.	322820	322829	322827
				List Price	\$55.00	\$61.00	\$61.00
515TT-LB-G2	Dummy (Pair)	21 lb	12 Pcs	Item No.	325820	325829	325827
				List Price	\$54.00	\$60.00	\$60.00
300TT-LB-G2	Combo	40 lb	8 Pcs	Item No.	318820	318529	318727
				List Price	\$120.00	\$138.30	\$138.30

MIRCET

Shown in Satin Nickel

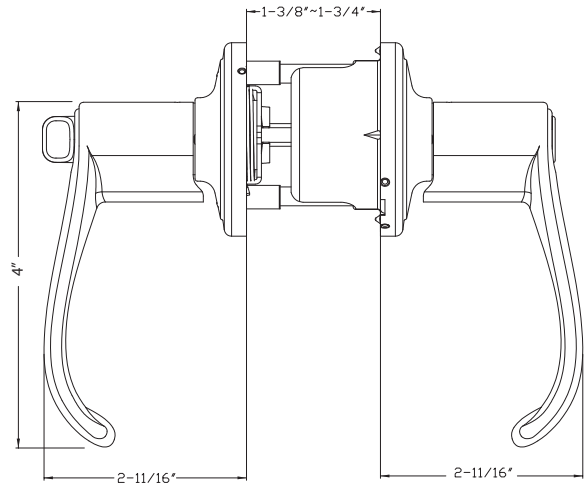


VISUAL PACK

Model	Function	WT/CTN	CTN QTY	US15 Satin Nickel		US19 Matte Black	
				Item No.	List Price	Item No.	List Price
500TT-MC-G2	Entrance	24 lb	12 Pcs	Item No.	320620	320629	
				List Price	\$71.90	\$78.00	
501TT-MC-G2	Passage	22 lb	12 Pcs	Item No.	324620	324629	
				List Price	\$54.00	\$60.00	
502TT-MC-G2	Privacy	22 lb	12 Pcs	Item No.	322620	322629	
				List Price	\$55.00	\$61.00	
515TT-MC-G2	Dummy (Pair)	21 lb	12 Pcs	Item No.	325620	325629	
				List Price	\$54.00	\$60.00	

VONCET

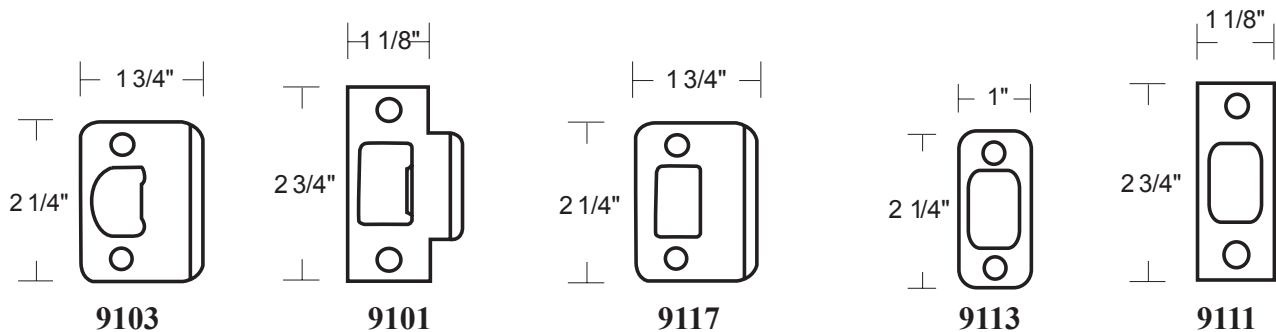
Shown in Satin Nickel



VISUAL PACK

Model	Function	WT/CTN	CTN QTY	US15 Satin Nickel	
				Item No.	List Price
500TT-VT-GR2	Entrance	24 lb	12 Pcs	Item No.	320420
				List Price	\$71.90
501TT-VT-GR2	Passage	24 lb	12 Pcs	Item No.	324420
				List Price	\$54.00
502TT-VT-GR2	Privacy	24 lb	12 Pcs	Item No.	322420
				List Price	\$55.00
515TT-VT-GR2	Dummy (Pair)	22 lb	12 Pcs	Item No.	325420
				List Price	\$54.00

STRIKE PLATES



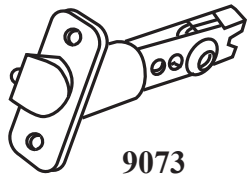
Description	Style	US15/US32D					
		Satin Nickel Satin Stainless Steel	US3 Bright Brass	US26 Bright Chrome	US15A Antique Nickel	US19 Matte Black	
Full Lip Entry Strike	9103	Item No.	280002	280003	280006	280008	280009
		List Price	\$2.90	\$2.90	\$2.90	\$2.90	\$2.90
Entry T-Strike	9101	Item No.	282002	282003	—	—	282009
		List Price	\$2.90	\$2.90			\$2.90
Full Lip Deadbolt Strike	9117	Item No.	280102	280103	280106	280108	280109
		List Price	\$2.90	\$2.90	\$2.90	\$2.90	\$2.90
Deadbolt Strike	9113	Item No.	2891132	2891133	2891136	2891138	2891139
		List Price	\$2.90	\$2.90	\$2.90	\$2.90	\$2.90
Deadbolt Strike	9111	Item No.	2891112	2891113	—	—	2891110
		List Price	\$3.90	\$3.90			\$3.90

EXTENSION KITS

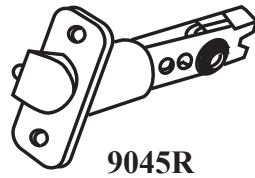
		US15	US19
		Satin Nickel	Matte Black
2-1/4" Handleset Extension Kit KN / TR / AV / WF	Item No.	211001	211000
	List Price	\$2.90	\$2.90
2-1/4" Handleset Extension Kit WI / KA	Item No.	211021	211022
	List Price	\$2.90	\$2.90
2-1/4" Single Deadbolt Extension Kit	Item No.	211011	211012
	List Price	\$2.90	\$2.90
2-1/4" Double Deadbolt Extension Kit	Item No.	211006	211007
	List Price	\$2.90	\$2.90

DELANEY® STRIKES & LATCHES

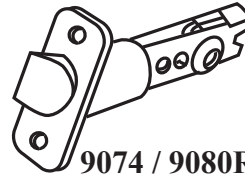
DELANEY LATCHES 2-3/4" ~ 2-3/8"



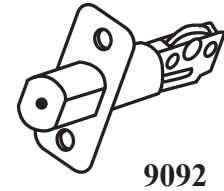
9073



9045R



9074 / 9080R



9092

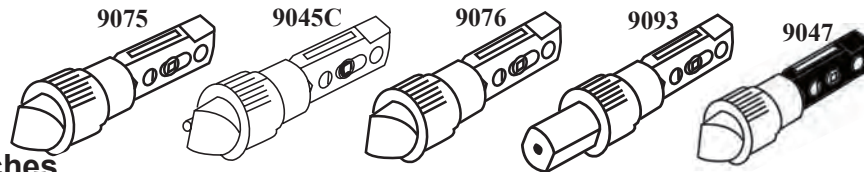
Grade 3 Mortise Latches

Description	Style	US15/US32D Satin Nickel Satin Stainless Steel		US3 Bright Brass	US26 Polished Chrome	US15A Antique Nickel	US19 Matte Black
		Item No.	Item No.	Item No.	Item No.	Item No.	Item No.
Adjustable Dead Latch (Entry Knob)	9073	260001	260003	—	260008	260009	
		List Price	\$14.30	\$14.30	\$14.30	\$14.30	
Adjustable Dead Latch (Entry Lever)	9045R	260041	—	260022	260048	260049	
		List Price	\$14.30	\$14.30	\$14.30	\$14.30	
Adjustable Spring Latch (Passage / Privacy)	9074 / 9080R	260051	260053	260052	260058	260059	
		List Price	\$14.30	\$14.30	\$14.30	\$14.30	
Adjustable Latch (Deadbolt)	9092	261001	261003	261007	261008	261009	
		List Price	\$17.30	\$17.30	\$17.30	\$17.30	

Grade 2 UL Mortise Latches



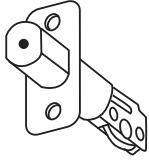
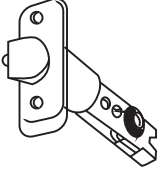
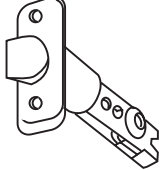
Description	Style	US15/US32D Satin Nickel Satin Stainless Steel		US15A Antique Nickel	US19 Matte Black
		Item No.	Item No.	Item No.	Item No.
Adjustable Dead Latch (UL Entry Knob)	9073 UL	260001UL	260008UL	260009UL	
		List Price	\$19.60	\$19.60	\$19.60
Adjustable Dead Latch (UL Entry Lever)	9045R UL	260041UL	260048UL	260049UL	
		List Price	\$19.60	\$19.60	\$19.60
Adjustable Spring Latch (UL Passage)	9074 UL (9080R)	260051UL	—	260059UL	
		List Price	\$19.60	\$19.60	
Adjustable Latch (UL Deadbolt)	9092 UL	261001UL	261008UL	261009UL	
		List Price	\$21.30	\$21.30	\$21.30
Spring Latch (UL Entry Lever)	9079UL	260132UL	—	260130UL	
		List Price	\$19.60	\$19.60	



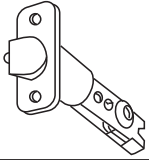
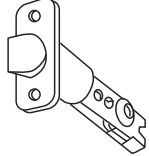
Grade 3 Drive-In Latches

Description	Style	US32D - Satin Stainless Steel	
1" Drive-In Adj. Dead Latch (Entry Knob)	9075	Item No.	260061
		List Price	\$14.30
1" Drive-In Adj. Dead Latch (Entry Lever)	9045C	Item No.	260060
		List Price	\$14.30
1" Drive-In Adj. Spring Latch (Passage / Privacy)	9076	Item No.	260121
		List Price	\$14.30
1" Drive-In Adj. Latch (Deadbolt)	9093	Item No.	261061
		List Price	\$17.30
7/8" Drive-In Spring Latch (Fixed 2-3/8" backset)	9047	Item No.	260120
		List Price	\$17.30

SANDCAST ONLY ADJUSTABLE LATCHES 2-3/8" ~ 2-3/4" BACKSET

	Model	Description	Aged Bronze / Aged Black	
	9092	Deadbolt Latch w/ Rd. Faceplate	Item No.	210008
			List Price	\$17.30
	9050R	Entry Deadlatch w/ Rd. Faceplate	Item No.	210010
			List Price	\$14.30
	9079R	Passage / Privacy Spring Latch w/ Rd. Faceplate	Item No.	210012
			List Price	\$14.30

GRADE 2 LATCHES

	Model	Description		US15/US26 Satin Nickel Bright Chrome	US19/US12P Matte Black Tuscany Bronze
	9060 UL	GR2 UL Entry Deadlatch w/ Rd. or Sq. Faceplate 3-Hour Fire Rating	Item No.	262001	262009
			List Price	\$14.30	\$14.30
	9064RUL	GR2 Passage / Privacy Spring Latch w/ Rd. Faceplate	Item No.	262051	262059
			List Price	\$14.30	\$14.30



CALLAN[®]
BY DELANEY[®]

ENTRANCE HARDWARE

Unlock Style. Lock in Savings.

Grade 3

Briona
Visconti
Chatham
Colton

Grade 2

Candler

Deadbolts

Square
Round

CALLAN[®] ENTRANCE HANDLESETS

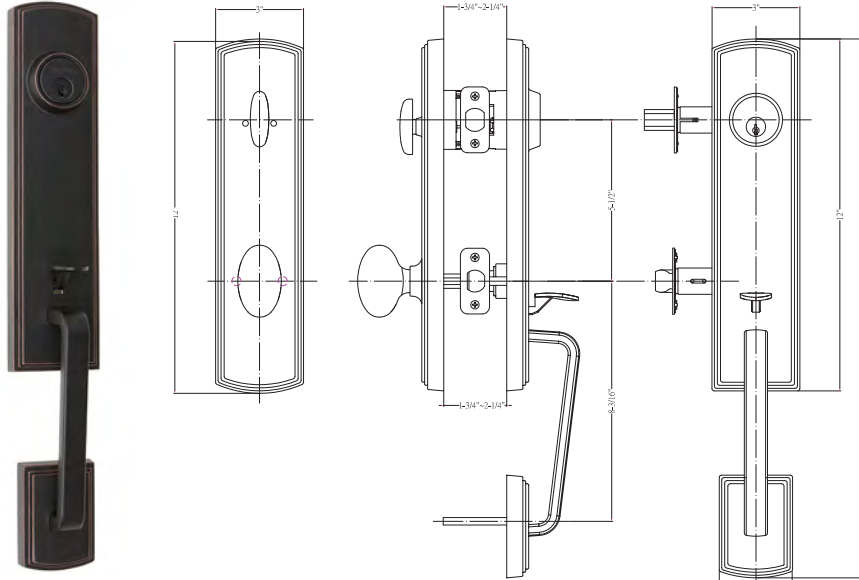
BY DELANEY[™]

Specifications

Door Prep	Deadbolt cross bore: 2-1/8" Handleset cross bore: 2-1/8" Edge bore: 1" Latch face: 1" x 2-1/4" Mounting (center to center): 5-1/2"	Latches	Deadbolt: 2-3/8" & 2-3/4" adjustable (C9092 R/S) Faceplate: 1" x 2-1/4" round corner Bolt: 1" throw with hardened steel rod Handle: 2-3/8" and 2-3/4" adjustable (C9074 R/S) Faceplate: 1" x 2-1/4" round corner
Strikes	Deadbolt: 2-1/4" Rd. & Sq. corner (9118 R&S) 1-1/8" X 2-3/4" Thumbpiece: 2-1/4" full lip Rd. & Sq. corner (9103 & 9102). Includes Reinforcement Strikes	Handing	Handing required for lever interiors
Door Thickness	1-3/4" ~ 2-1/4" door standard.	Cylinder	SC1 5-pin standard; KW1 5-pin optional. Handlesets packed KD
Door Handing	Reversible lever handing for dummy function and Interior		

BRIONA

Shown in Oil Rubbed Bronze Edged



BOX PACK Handleset pricing includes interior knob or lever. Specify interior option and handing when ordering.

Model	Function	WT/ CTN	CTN QTY	US10BE Edged Bronze		US19 Matte Black	
				Item No.	List Price	Item No.	List Price
400-BN	Single Cylinder	36 lb	4 Pcs	374107	\$245.00	374104	\$245.00
405-BN	Dummy	34 lb	4 Pcs	374157	\$241.60	374154	\$241.60

INTERIOR OPTIONS FOR BRIONA

Shown in Oil Rubbed Bronze Edged



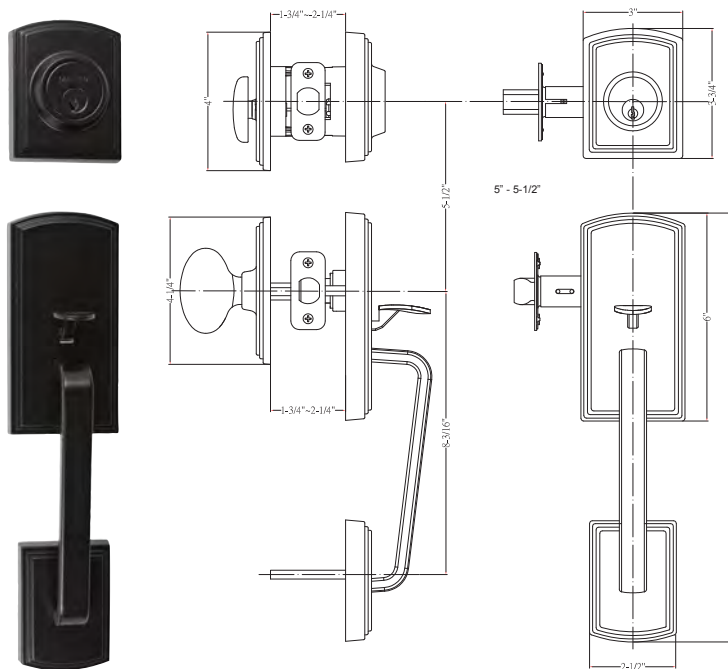
For Sorado and Artino specify handing when ordering. Interior only pricing.

ACTIVE INTERIORS			
Style		US10BE Edged Bronze	US19 Matte Black
		Sorado w/ Full Int. Plate	Item No.
	List Price	\$90.00	\$90.00
Artino w/ Full Int. Plate	Item No.	367207	367204
	List Price	\$90.00	\$90.00
Canova w/ Full Int. Plate	Item No.	367507R	367504R
	List Price	\$90.00	\$90.00
Santo w/ Full Int. Plate	Item No.	367607R	367604R
	List Price	\$90.00	\$90.00

DUMMY INTERIORS			
Style		US10BE Edged Bronze	US19 Matte Black
		Sorado w/ Full Int. Plate	Item No.
	List Price	\$85.00	\$85.00
Artino w/ Full Int. Plate	Item No.	367257	367254
	List Price	\$85.00	\$85.00
Canova w/ Full Int. Plate	Item No.	367557	367554
	List Price	\$85.00	\$85.00
Santo w/ Full Int. Plate	Item No.	367657	367654
	List Price	\$85.00	\$85.00

VISCONTI

Shown in Matte Black



BOX PACK Handleset pricing includes interior knob or lever. Specify interior option and handing when ordering.

Model	Function	WT/ CTN	CTN QTY	US15			
				Satin Nickel	US10BE Edged Bronze	US19 Matte Black	
400-VN	Single Cylinder	35 lb	4 Pcs	Item No.	374001	374007	374004
				List Price	\$217.00	\$217.00	\$217.00
405-VN	Dummy	31 lb	4 Pcs	Item No.	374051	374057	374054
				List Price	\$215.00	\$215.00	\$215.00

INTERIOR OPTIONS FOR VISCONTI

Shown in Oil Ribbed Bronze Edged



For Sorado, Artino and Florini specify handing when ordering. Interior only pricing.

ACTIVE INTERIORS					DUMMY INTERIORS				
Style		US15	US10BE	US19	Style		US15	US10BE	US19
		Satin Nickel	Edged Bronze	Matte Black			Satin Nickel	Edged Bronze	Matte Black
Sorado	Item No.	377101	377107	377104	Sorado	Item No.	365101	365107	365104
	List Price	\$45.00	\$45.00	\$45.00		List Price	\$43.00	\$43.00	\$43.00
Artino	Item No.	377201	377207	377204	Artino	Item No.	365201	364207	365204
	List Price	\$45.00	\$45.00	\$45.00		List Price	\$43.00	\$43.00	\$43.00
Canova	Item No.	377501	377507	377504	Canova	Item No.	365501	365507	365504
	List Price	\$45.00	\$45.00	\$45.00		List Price	\$33.00	\$33.00	\$33.00
Santo	Item No.	377601	377607	377604	Santo	Item No.	365601	365607	365604
	List Price	\$45.00	\$45.00	\$45.00		List Price	\$33.00	\$33.00	\$33.00

CALLAN[®] ENTRANCE HANDLESETS

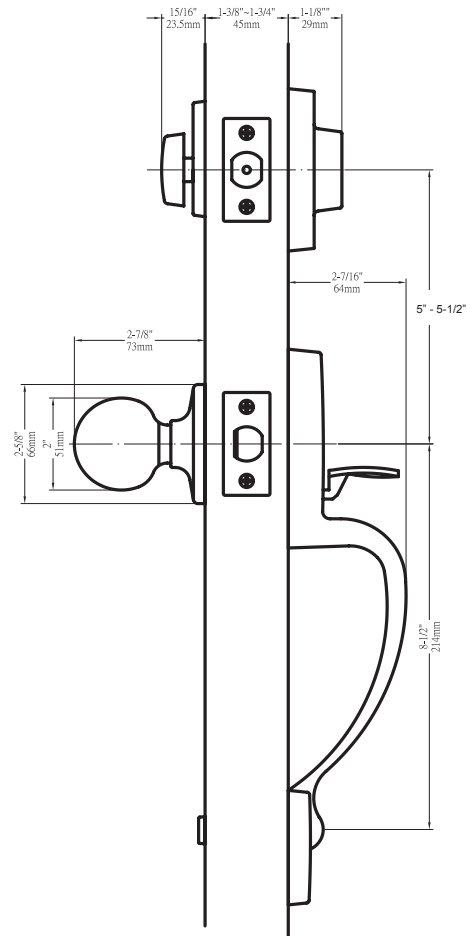
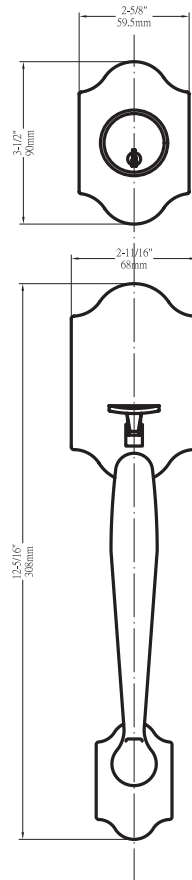
BY DELANEY[®]

Specifications

Door Prep	Deadbolt cross bore: 2-1/8" Handleset cross bore: 2-1/8" Edge bore: 1" Latch face: 1" x 2-1/4" Mounting bore distance (center to center): 5" - 5-1/2" recommended	Latches	Upper: 2-3/8" and 2-3/4" adjustable (9092) Faceplate: 1" x 2-1/4" round corner Bolt: 1" Bolt with hardened steel rod Lower: 2-3/8" and 2-3/4" adjustable (9074) (for lever and knob) Faceplate: 1" x 2-1/4" round corner Bolt: Solid brass 1/2" throw
Backset	Fits 2-3/8" and 2-3/4"	Strikes	Deadbolt: 2-1/4" full lip round corner (9113 & 9117) Thumbpiece: 2-1/4" full lip round corner (9103)
Door Thickness	1-3/8" ~ 1-3/4" door standard 2-1/4" Ext. Kit available	Wood Screws	Combination screws that suit both wood or metal door mounting
Cylinder	KW1 5-pin standard; SC1 5-pin optional Handlesets packed KD	Door Handing	Specify handing when ordering lever as interior option

CHATHAM

Shown in Satin Nickel

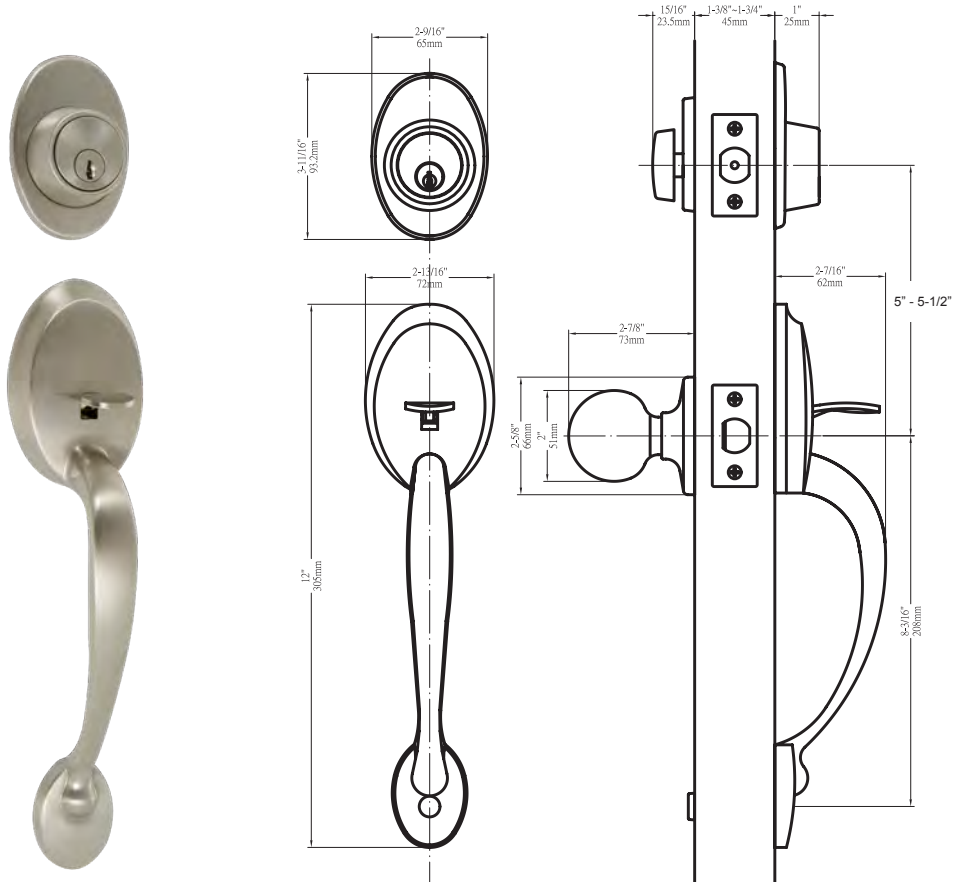


BOX PACK Handleset pricing includes interior knob or lever. Specify interior option and handing when ordering. (See page 45)

Model	Function	WT/ CTN	CTN QTY	US15	US10B	US10BE	US19	
				Satin Nickel	Oil Rubbed Bronze	Edged Bronze	Matte Black	
400-CT	Single Cylinder	33 lb	10 Pcs	Item No.	KA6001	KA6000	KA6007	KA6004
				List Price	\$147.00	\$162.00	\$162.00	\$162.00
405-CT	Dummy	30 lb	10 Pcs	Item No.	KA6051	KA6050	KA6057	KA6054
				List Price	\$143.00	\$143.00	\$143.00	\$143.00

COLTON

Shown in Satin Nickel



BOX PACK Handleset pricing includes interior knob or lever. Specify interior option and handing when ordering. (See page 45)

Model	Function	WT/ CTN	CTN QTY		US15 Satin Nickel	US10B Oil Rubbed Bronze	US10BE Edged Bronze	US19 Matte Black
400-CO	Single Cylinder	33 lb	10 Pcs	Item No.	KA4001	KA4000	KA4007	KA4004
				List Price	\$147.00	\$162.00	\$162.00	\$162.00
405-CO	Dummy	30 lb	10 Pcs	Item No.	KA4051	KA4050	KA4057	KA4054
				List Price	\$143.00	\$158.00	\$158.00	\$158.00

VISUAL PACK Saxon Knob Interior Included.

Model	Function	WT/ CTN	CTN QTY		US15 Satin Nickel	US19 Matte Black
VP-400-CO	Single Cylinder	28 lb	6 Pcs	Item No.	VPKA4001	VPKA4004
				List Price	\$148.00	\$163.00

CALLAN[®] ENTRANCE HANDLESETS

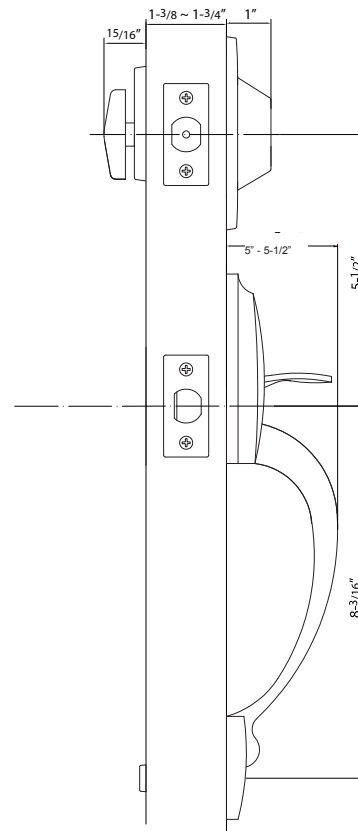
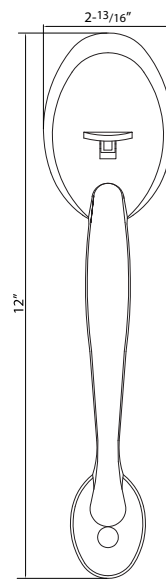
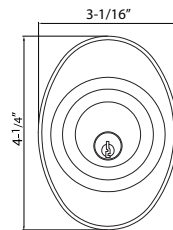
BY DELANEY[™]

Specifications

Door Prep	Deadbolt cross bore: 2-1/8" Handleset cross bore: 2-1/8" Edge bore: 1" Latch face: 1" x 2-1/4" Mounting bore distance (center to center): 5-1/2" recommended	Latches	Deadbolt: 2-3/8" & 2-3/4" adjustable (C9092 R/S) Faceplate: 1" x 2-1/4" round corner Bolt: 1" throw with hardened steel rod Handle: 2-3/8" and 2-3/4" adjustable (C9074 R/S) Faceplate: 1" x 2-1/4" round corner
Backset	Fits 2-3/8" and 2-3/4"	Strikes	Deadbolt: 2-1/4" Rd. & Sq. corner (9118 R/S) 1 1/8" X 2 3/4" Thumbpiece: 2-1/4" full lip Rd. & Sq. corner (9103 & 9102). Includes Reinforcement Plate
Door Thickness	1-3/8" ~ 1-3/4" door standard 2-1/4" Ext. Kits available	Wood Screws	Combination screws that suit both wood or metal door mounting. Includes 3" Security Screws
Cylinder	SC1 5-pin standard; KW1 5-pin optional Handlesets packed KD	Door Handing	Specify handing when ordering lever as interior option

CANDLER GRADE 2

Shown in Oil Rubbed Bronze Edged



BOX PACK Handleset pricing includes interior knob or lever. Specify interior option and handing when ordering. (See page 45)

Model	Function	WT/ CTN	CTN QTY	US15 Satin Nickel		US10BE Edged Bronze	
				Item No.	List Price	Item No.	List Price
400-CO-G2	Single Cylinder	38 lb	10 Pcs	G2KA4001	\$160.00	G2KA4007	\$185.00
405-CO-G2	Dummy	36 lb	10 Pcs	G2KA4051	\$157.00	G2KA4057	\$181.00

VISUAL PACK Saxon Knob Interior Included.

Model	Function	WT/ CTN	CTN QTY	US19 Matte Black	
				Item No.	List Price
SA-VB-400-CO	Single Cylinder	38 lb	10 Pcs	VBG2KA4004	\$186.00

CALLAN[®] ENTRANCE HANDLESETS BY DELANEY

INTERIOR OPTIONS FOR CALLAN HANDLESETS



Asheville (AH)



Bennett (BN)



Kendall (KI)



Newport (NE)



Silona (SL)



Carlyle (CA)



Fairfield (FD)



Saxon (SA)

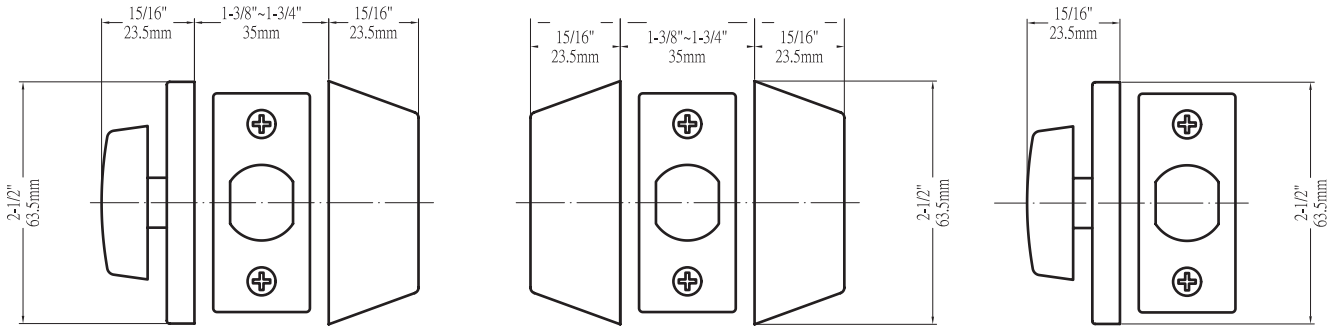
INTERIOR OPTIONS FOR COLTON AND CHATHAM

Style	Function		US15 Satin Nickel	US26 Bright Chrome	US10B Oil Rubbed Bronze	US10BE Edged Bronze	US19 Matte Black
Bennett (BN)	Interior	Item No.	BN5171 (R/L)	—	—	BN5177 (R/L)	BN5174 (R/L)
		List Price	\$18.60			\$18.60	\$18.60
Kendall (KI)	Interior	Item No.	KI5071R	—	—	KI5077R	—
		List Price	\$18.60			\$18.60	
Asheville (AH)	Interior	Item No.	AH5071	—	—	—	—
		List Price	\$18.60				
Newport (NE)	Interior	Item No.	KN5071	—	KN5070	KN5077	—
		List Price	\$18.60		\$18.60	\$18.60	
Silona (SL)	Interior	Item No.	ST5071	ST5076	—	ST5077	—
		List Price	\$18.60	\$18.60		\$18.60	
Carlyle (CA)	Interior	Item No.	KE1071	—	KE1070	KE1077	KE1074
		List Price	\$15.60		\$15.60	\$15.60	\$15.60
Fairfield (FD)	Interior	Item No.	KR1071	—	KR1070	KR1077	KR1074
		List Price	\$15.60		\$15.60	\$15.60	\$15.60
Saxon (SA)	Interior	Item No.	KS1071	—	KS1070	KS1077	KS1074
		List Price	\$15.60		\$15.60	\$15.60	\$15.60

Specifications

Door Prep	Cross bore: 2-1/8" Edge bore: 1" Latch face: 1" x 2-1/4"	Latches	Deadbolt: 2-3/8" & 2-3/4" adjustable (9092) Faceplate: 1" x 2-1/4" round corner Bolt: 1" throw with hardened steel rod
Backset	200S / 210S: Fits 2-3/8" and 2-3/4" 205S: Fixed 2-3/8"	Strikes	2-1/4" full lip round corner (9113 & 9117)
Door Thickness	1-3/8" ~ 1-3/4" door standard 2-1/4" Ext. Kit available	Wood Screws	Combination screws that suit both wood or metal door mounting
Cylinder	KW1 5-pin standard. SC1 5-pin optional deadbolts packed KA5		

DEADBOLT



Single Cylinder (200)



Double Cylinder (210)



One-Sided Half Bore (205)

BOX PACK

Model	Function		US3 Bright Brass	US5 Antique Brass	US15 Satin Nickel	US15A Antique Nickel	US26 Bright Chrome	AS Antique Silver	US10B Oil Rubbed Bronze	US10BE Edged Bronze	US19 Matte Black
200S	Single Cylinder	Item No.	KA2003	KA2005	KA2001	KA2008	KA2006	KA2002	KA2000	KA2007	KA2004
		List Price	\$25.00	\$27.00	\$27.00	\$27.00	\$27.00	\$28.00	\$28.00	\$28.00	\$28.00
210S	Double Cylinder	Item No.	KA2103	—	KA2101	KA2108	—	—	—	KA2107	KA2104
		List Price	\$30.00		\$31.00	\$31.00					\$32.00
205S	One-Sided Half-Bore	Item No.	—	—	KD2001	—	—	—	—	—	—
		List Price			\$18.60						
	Turn Button Only	Item No.	KA3203	—	KA3201	—	—	KA3202	KA3200	—	KA3204
		List Price	\$13.00		\$13.00			\$13.00	\$13.00		\$13.00

VISUAL PACK

Model	Function	WT/ LB	CTN QTY		US3 Bright Brass	US15 Satin Nickel	US10BE Edged Bronze	US19 Matte Black
VP-200S	Single Cylinder	23 lb	20 Pcs	Item No.	VPKA2003	VPKA2001	VPKA2007	VPKA2004
				List Price	\$26.00	\$28.00	\$28.00	\$28.00
VP-210S	Double Cylinder	27 lb	20 Pcs	Item No.	—	VPKA2101	—	—
				List Price		\$32.00		

CALLAN[®] DEADBOLTS

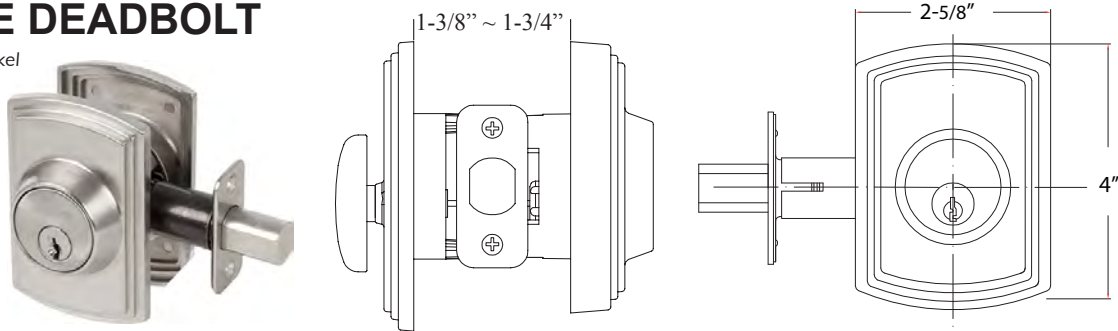
BY DELANEY[™]

Specifications

Door Prep	Cross bore: 2-1/8" Edge bore: 1" Latch face: 1" x 2-1/4"	Latches	Deadbolt: 2-3/8" & 2-3/4" adjustable (C9092 R/S) Faceplate: 1" x 2-1/4" Rd. & Sq. corner Bolt: 1" throw with hardened steel rod
Backset	Fits 2-3/8" and 2-3/4"	Strikes	2-1/4" full lip Rd. & Sq. corner (9118 R&S) Includes Reinforcement Strike.
Door Thickness	1-3/8" ~ 1-3/4" door standard, 2-1/4" Ext. Kit available	Wood Screws	Combination screws that suit both wood or metal door mounting Includes 3" Security Screws
Cylinder	SC1 5-pin standard; KW1 5-pin optional Deadbolts packed KA5	Features	Protective collar High Security Strike Plate Interlocking installation guides Reinforced spring assembly

SQUARE DEADBOLT

Shown in Satin Nickel

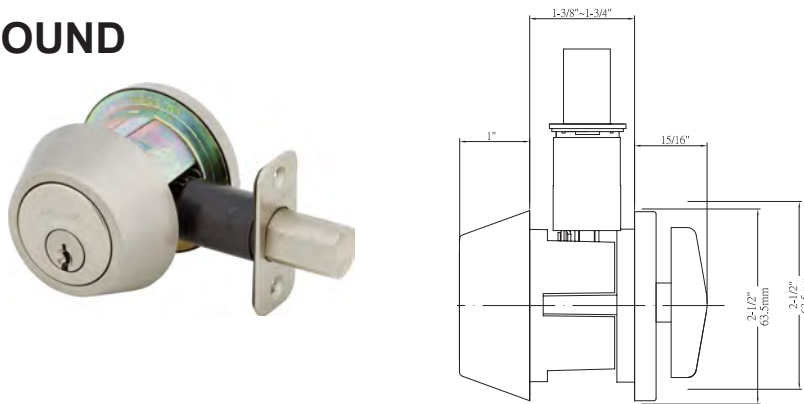


BOX PACK

Model	Function	WT/CTN	CTN QTY	US15 Satin Nickel			US10BE Edged Bronze			US19 Matte Black		
				Item No.	List Price		Item No.	List Price		Item No.	List Price	
200S	Single Cylinder	21 lb	10 Pcs	372001	\$69.00		372007	\$69.00		372004	\$69.00	

GRADE 2 ROUND

Shown in Satin Nickel



BOX PACK

Model	Function	WT/CTN	CTN QTY	US15 Satin Nickel			US10BE Edged Bronze			US19 Matte Black		
				Item No.	List Price		Item No.	List Price		Item No.	List Price	
200S-G2	Single Cylinder	19 lb	10 Pcs	G2KA2001	\$43.60		G2KA2007	\$45.30		G2KA2004	\$45.30	

VISUAL PACK

Model	Function	WT/CTN	CTN QTY	US15 Satin Nickel		US10BE Edged Bronze	
				Item No.	List Price	Item No.	List Price
VB-200S-G2	Single Cylinder	23 lb	10 Pcs	VBG2KA2001	\$44.60	VBG2KA2007	\$46.30

CALLAN[®]

BY DELANEY[®]

KNOBS & LEVERS

Grade 3

Knobs (Round Trim)

Brayden
Carlyle
Fairfield
Saxon

Knobs (Square Trim)

Canova
Santo

Levers (Round Trim)

Bennett
Kendall
Lexington
Newport
Silona
Asheville

Levers (Square Trim)

Artino
Sorado

Grade 2

Knobs (Round Trim)

Edgewood
Roland
Sawyer

Levers (Round Trim)

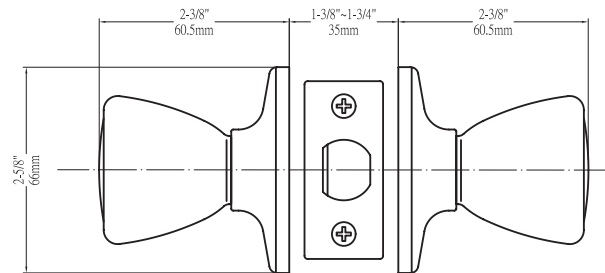
Bentley
Nolan



Latches (For Round Trim)	Entrance: 2-3/8" and 2-3/4" adjustable (9073) Passage/Privacy: 2-3/8" & 2-3/4" adjustable (9074) Faceplate: 1" x 2-1/4" round corner Bolt: 1/2" throw	Latches (For Square Trim)	Entrance: 2-3/8" and 2-3/4" adjustable (C9060 R/S) Passage/Privacy: 2-3/8" and 2-3/4" adj. (C9064 R/S) Faceplate: 1" x 2-1/4" Rd. and Sq. corner Bolt: 1/2" throw
Cylinder (For Round Trim)	For Round Trim Knobs - KW1 5-pin standard; SC1 5-pin optional / Entries packed KA5	Cylinder (For Square Trim)	For Square Trim Knobs - SC1 5-pin standard; KW1 5-pin optional / Entries packed KA5
Door Thickness	1-3/8" ~ 1-3/4" door standard 2-1/4" Ext. Kit available	Backset	Fits 2-3/8" and 2-3/4"
Wood Screws	Combination screws that suit both wood or metal door mounting	Strikes	Round - 1-3/4" x 2-1/4" full lip round corner (9103) Square - 1-3/4" x 2-1/4" full lip Rd. and Sq. corner (9103 & 9102)
Door Prep	Cross bore: 2-1/8" Edge bore: 1" Latch face: 1" x 2-1/4"		

BRAYDEN

Shown in Satin Nickel



BOX PACK

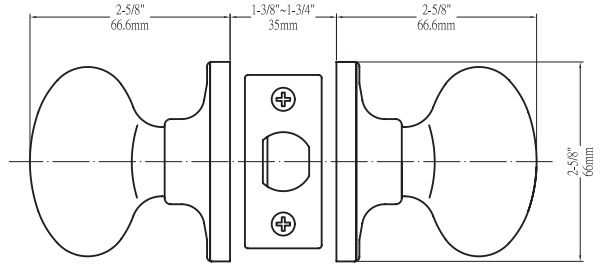
Model	Function	WT/ LB	CTN QTY		US3 Bright Brass	US15 Satin Nickel
100T-BR	Entrance	27 lb	20 Pcs	Item No.	KA1003	KA1001
				List Price	\$24.60	\$26.00
101T-BR	Passage	22 lb	20 Pcs	Item No.	KA1013	KA1011
				List Price	\$18.00	\$19.00
102T-BR	Privacy	22 lb	20 Pcs	Item No.	KA1023	KA1021
				List Price	\$20.60	\$22.00
115T-BR	Dummy	9 lb	20 Pcs	Item No.	KA1053	KA1051
				List Price	\$8.60	\$10.00
300T-BR	Combo	54 lb	10 Pcs	Item No.	KA3003	KA3001
				List Price	\$45.60	\$48.00

VISUAL PACK

Model	Function	WT/ LB	CTN QTY		US3 Bright Brass	US15 Satin Nickel
VP-100T-BR	Entrance	27 lb	16 Pcs	Item No.	VPKA1003	VPKA1001
				List Price	\$25.60	\$27.00
VP-101T-BR	Passage	23 lb	16 Pcs	Item No.	VPKA1013	VPKA1011
				List Price	\$19.00	\$20.00
VP-102T-BR	Privacy	24 lb	16 Pcs	Item No.	VPKA1023	VPKA1021
				List Price	\$21.60	\$23.00
VP-115T-BR	Dummy (Pair)	24 lb	16 Pcs	Item No.	VPKA1053	VPKA1051
				List Price	\$9.60	\$11.00
VP-300T-BR	Combo	27 lb	6 Pcs	Item No.	VPKA3003	VPKA3001
				List Price	\$46.60	\$49.00

CARLYLE

Shown in Satin Nickel

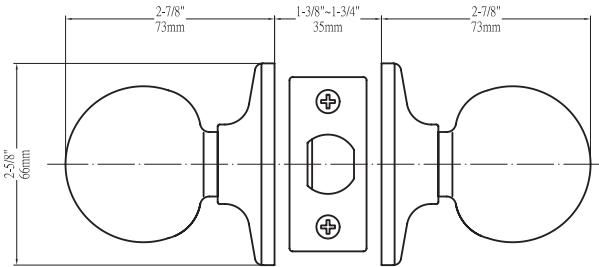


BOX PACK

Model	Function	WT/ LB	CTN QTY		US15 Satin Nickel	US15A Antique Nickel	US10B Oil Rubbed Bronze	US10BE Edged Bronze	US19 Matte Black	Antique Silver
100T-CA	Entrance	27 lb	20 Pcs	Item No.	KE1001	KE1008	KE1000	KE1007	KE1004	KE1002
				List Price	\$35.90	\$35.90	\$37.60	\$37.60	\$37.60	\$37.60
101T-CA	Passage	22 lb	20 Pcs	Item No.	KE1011	KE1018	KE1010	KE1017	KE1014	KE1012
				List Price	\$31.90	\$31.90	\$33.30	\$33.30	\$33.30	\$33.30
102T-CA	Privacy	22 lb	20 Pcs	Item No.	KE1021	KE1028	KE1020	KE1027	KE1024	KE1022
				List Price	\$32.60	\$32.60	\$34.00	\$34.00	\$34.00	\$34.00
115T-CA	Dummy	9 lb	20 Pcs	Item No.	KE1051	KE1058	KE1050	KE1057	KE1054	KE1052
				List Price	\$16.30	\$16.30	\$17.00	\$17.00	\$17.00	\$17.00
300T-CA	Combo	54 lb	10 Pcs	Item No.	KE3001	—	KE3000	KE3007	KE3004	—
				List Price	\$62.00		\$65.30	\$65.30	\$65.30	

FAIRFIELD

Shown in Satin Nickel



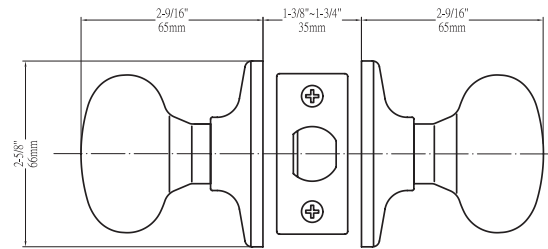
BOX PACK

Model	Function	WT/ LB	CTN QTY		US3 Bright Brass	US15 Satin Nickel	US10B Oil Rubbed Bronze	US10BE Edged Bronze	US19 Matte Black
100T-FD	Entrance	27 lb	20 Pcs	Item No.	KR1003	KR1001	KR1000	KR1007	KR1004
				List Price	\$26.90	\$28.90	\$31.90	\$31.90	\$31.90
101T-FD	Passage	22 lb	20 Pcs	Item No.	KR1013	KR1011	KR1010	KR1017	KR1014
				List Price	\$22.30	\$25.00	\$27.60	\$27.60	\$27.60
102T-FD	Privacy	22 lb	20 Pcs	Item No.	KR1023	KR1021	KR1020	KR1027	KR1024
				List Price	\$22.90	\$25.60	\$28.30	\$28.30	\$28.30
115T-FD	Dummy	9 lb	10 Pcs	Item No.	KR1053	KR1051	KR1050	KR1057	KR1054
				List Price	\$10.30	\$11.30	\$12.60	\$12.60	\$12.60
300T-FD	Combo	54 lb	20 Pcs	Item No.	KR3003	KR3001	KR3000	KR3007	—
				List Price	\$50.60	\$54.30	\$59.90	\$59.90	

FAIRFIELD continued

VISUAL PACK

Model	Function	WT/ LB	CTN QTY		US15 Satin Nickel	US10BE Edged Bronze	US19 Matte Black
VP-100T-FD	Entrance	27 lb	16 Pcs	Item No.	VPKR1001	VPKR1007	VPKR1004
				List Price	\$29.90	\$32.90	\$32.90
VP-101T-FD	Passage	23 lb	16 Pcs	Item No.	VPKR1011	VPKR1017	VPKR1014
				List Price	\$26.00	\$28.60	\$28.60
VP-102T-FD	Privacy	24 lb	16 Pcs	Item No.	VPKR1021	VPKR1027	VPKR1024
				List Price	\$26.60	\$29.30	\$29.30
VP-115T-FD	Dummy (Pair)	13 lb	16 Pcs	Item No.	VPKR1051	VPKR1057	VPKR1054
				List Price	\$12.30	\$13.60	\$13.60
VP-300T-FD	Combo	27 lb	6 Pcs	Item No.	VPKR3001	—	—
				List Price	\$55.30		



SAXON

Shown in Satin Nickel

BOX PACK

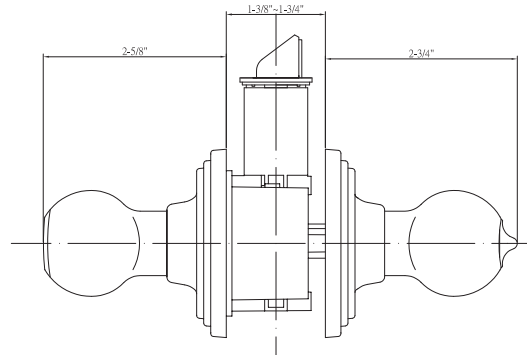
Model	Function	WT/ LB	CTN QTY		US3 Bright Brass	US15 Satin Nickel	US15A Antique Nickel	US5 Antique Brass	US26 Bright Chrome	US10B Oil Rubbed Bronze	US10BE Edged Bronze	US19 Matte Black	AS Antique Silver
100T-SA	Entrance	27 lb	20 Pcs	Item No.	KS1003	KS1001	KS1008	KS1005	KS1006	KS1000	KS1007	KS1004	KS1002
				List Price	\$29.60	\$32.00	\$32.00	\$32.00	\$32.00	\$35.00	\$35.00	\$35.00	\$35.00
101T-SA	Passage	22 lb	20 Pcs	Item No.	KS1013	KS1011	KS1018	KS1015	KS1016	KS1010	KS1017	KS1014	KS1012
				List Price	\$24.00	\$27.30	\$27.30	\$27.30	\$27.30	\$30.00	\$30.00	\$30.00	\$30.00
102T-SA	Privacy	22 lb	20 Pcs	Item No.	KS1023	KS1021	KS1028	KS1025	KS1026	KS1020	KS1027	KS1024	KS1022
				List Price	\$24.60	\$27.90	\$27.90	\$27.90	\$27.90	\$30.60	\$30.60	\$30.60	\$30.60
115T-SA	Dummy	9 lb	20 Pcs	Item No.	KS1053	KS1051	KS1058	KS1055	KS1056	KS1050	KS1057	KS1054	KS1052
				List Price	\$11.30	\$12.30	\$12.30	\$12.30	\$12.30	\$13.60	\$13.60	\$13.60	\$13.60
300T-SA	Combo	54 lb	10 Pcs	Item No.	KS3003	KS3001	—	—	—	KS3000	KS3007	KS3004	—
				List Price	\$52.60	\$57.00				\$62.00	\$62.00	\$62.00	

VISUAL PACK

Model	Function	WT/ LB	CTN QTY		US3 Bright Brass	US15 Satin Nickel	US10BE Edged Bronze	US19 Matte Black
VP-100T-SA	Entrance	27 lb	16 Pcs	Item No.	VPKS1003	VPKS1001	VPKS1007	VPKS1004
				List Price	\$30.60	\$33.00	\$36.00	\$36.00
VP-101T-SA	Passage	22 lb	16 Pcs	Item No.	VPKS1013	VPKS1011	VPKS1017	VPKS1014
				List Price	\$25.00	\$28.30	\$31.00	\$31.00
VP-102T-SA	Privacy	23 lb	16 Pcs	Item No.	VPKS1023	VPKS1021	VPKS1027	VPKS1024
				List Price	\$25.60	\$28.90	\$31.60	\$31.60
VP-115T-SA	Dummy (Pair)	13 lb	16 Pcs	Item No.	VPKS1053	VPKS1051	VPKS1057	VPKS1054
				List Price	\$12.30	\$13.30	\$14.60	\$14.60
VP-300T-SA	Combo	27 lb	6 Pcs	Item No.	—	VPKS3001	VPKS3007	—
				List Price		\$58.00	\$63.00	

CANOVA

Shown in Satin Nickel



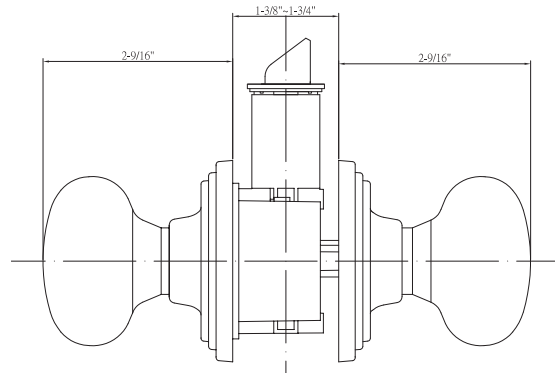
BOX PACK

Model	Function	WT/ CTN	CTN QTY		US15 Satin Nickel	US10BE Edged Bronze	US19 Matte Black
100T-CN*	Entrance	25 lb	10 Pcs	Item No.	360501	360507	360504
				List Price	\$69.00	\$69.00	\$69.00
101T-CN	Passage	20 lb	10 Pcs	Item No.	364501	364507	364504
				List Price	\$65.00	\$65.00	\$65.00
102T-CN	Privacy	21 lb	10 Pcs	Item No.	362501	362507	362504
				List Price	\$65.00	\$65.00	\$65.00
115T-CN	Dummy	17 lb	20 Pcs	Item No.	365501	365507	365504
				List Price	\$33.00	\$33.00	\$33.00

* Standard SC1 5-pin Cylinder

SANTO

Shown in Satin Nickel



BOX PACK

Model	Function	WT/ CTN	CTN QTY		US15 Satin Nickel	US10BE Edged Bronze	US19 Matte Black
100T-SN*	Entrance	25 lb	10 Pcs	Item No.	360601	360607	360604
				List Price	\$69.00	\$69.00	\$69.00
101T-SN	Passage	20 lb	10 Pcs	Item No.	364601	364607	364604
				List Price	\$65.00	\$65.00	\$65.00
102T-SN	Privacy	21 lb	10 Pcs	Item No.	362601	362607	362604
				List Price	\$65.00	\$65.00	\$65.00
115T-SN	Dummy	17 lb	20 Pcs	Item No.	365601	365607	365604
				List Price	\$33.00	\$33.00	\$33.00

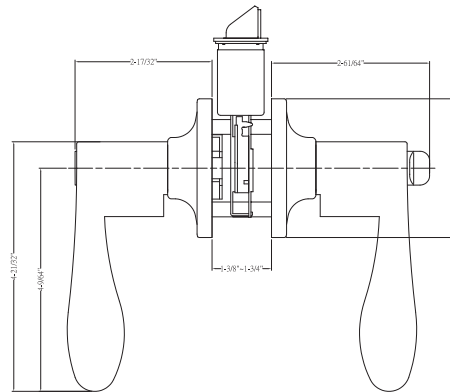
* Standard SC1 5-pin Cylinder

Specifications

Latches (For Round Trim)	Entrance: 2-3/8" and 2-3/4" adjustable (9073) Passage/Privacy: 2-3/8" & 2-3/4" adjustable (9074) Faceplate: 1" x 2-1/4" round corner Bolt: 1/2" throw	Latches (For Square Trim)	Entrance: 2-3/8" and 2-3/4" adjustable (C9060 R/S) Passage/Privacy: 2-3/8" and 2-3/4" adj. (C9064 R/S) Faceplate: 1" x 2-1/4" Rd. and Sq. corner Bolt: 1/2" throw
Cylinder (For Round Trim)	For Round Trim Knobs - KW1 5-pin standard; SC1 5-pin optional / Entries packed KA5	Cylinder (For Square Trim)	For Square Trim Knobs - SC1 5-pin standard; KW1 5-pin optional / Entries packed KA5
Door Thickness	1-3/8" ~ 1-3/4" door standard 2-1/4" Ext. Kit available	Backset	Fits 2-3/8" and 2-3/4"
Wood Screws	Combination screws that suit both wood or metal door mounting	Strikes	Round - 1-3/4" x 2-1/4" full lip round corner (9103) Square - 1-3/4" x 2-1/4" full lip Rd. and Sq. corner (9103 and 9102)
Door Prep	Cross bore: 2-1/8" / Edge bore: 1" Latch face: 1" x 2-1/4"	Door Handing	Reversible Active. Dummies Handed (Specify)
Features	Coin turn Privacy		

BENNETT

Shown in Satin Nickel



BOX PACK

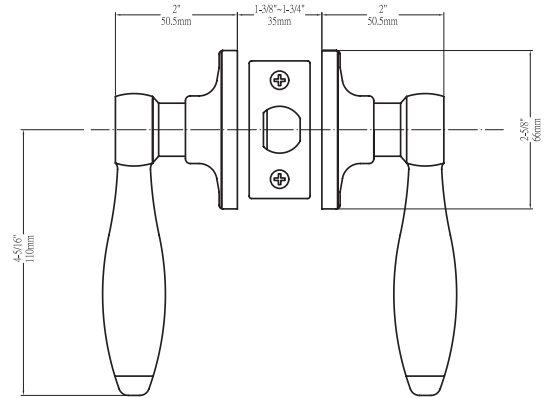
Model	Function	WT/CTN	CTN QTY		US3 Bright Brass	US15 Satin Nickel	US15A Antique Nickel	US10BE Edged Bronze	US19 Matte Black
500T-BN	Entrance	35 lb	20 Pcs	Item No.	BN5103R	BN5101R	BN5108R	BN5107R	BN5104R
				List Price	\$43.00	\$45.00	\$45.00	\$49.00	\$49.00
501T-BN	Passage	23 lb	20 Pcs	Item No.	BN5013R	BN5011R	BN5018R	BN5017R	BN5014R
				List Price	\$32.00	\$35.00	\$35.00	\$37.00	\$37.00
502T-BN	Privacy	24 lb	20 Pcs	Item No.	BN5023R	BN5021R	BN5028R	BN5027R	BN5024R
				List Price	\$34.00	\$37.00	\$37.00	\$39.00	\$39.00
515T-BN	Dummy	15 lb	20 Pcs	Item No.	BN5053 (L/R)	BN5051 (L/R)	BN5058 (L/R)	BN5057 (L/R)	BN5054 (L/R)
				List Price	\$16.30	\$17.60	\$17.60	\$19.00	\$19.00
300T-BN	Combo	55 lb	10 Pcs	Item No.	—	BN3001R	—	BN3007R	BN3004R
				List Price		\$71.00		\$73.60	\$73.60

VISUAL PACK

Model	Function	WT/CTN	CTN QTY		US15 Satin Nickel	US10BE Edged Bronze	US19 Matte Black
VP-500T-BN	Entrance	35 lb	16 Pcs	Item No.	VPBN5101R	VPBN5107R	VPBN5104R
				List Price	\$46.00	\$50.00	\$50.00
VP-501T-BN	Passage	23 lb	16 Pcs	Item No.	VPBN5011R	VPBN5017R	VPBN5014R
				List Price	\$36.00	\$38.00	\$38.00
VP-502T-BN	Privacy	24 lb	16 Pcs	Item No.	VPBN5021R	VPBN5027R	VPBN5024R
				List Price	\$38.00	\$40.00	\$40.00
VP-515T-BN	Dummy (Pair)	15 lb	16 Pcs	Item No.	VPBN5051	VPBN5057	VPBN5054
				List Price	\$18.60	\$20.00	\$20.00
VP-300T-BN	Combo	28 lb	6 Pcs	Item No.	VPBN3001R	VPBN3007R	VPBN3004R
				List Price	\$72.00	\$74.60	\$74.60

KENDALL

Shown in Satin Nickel

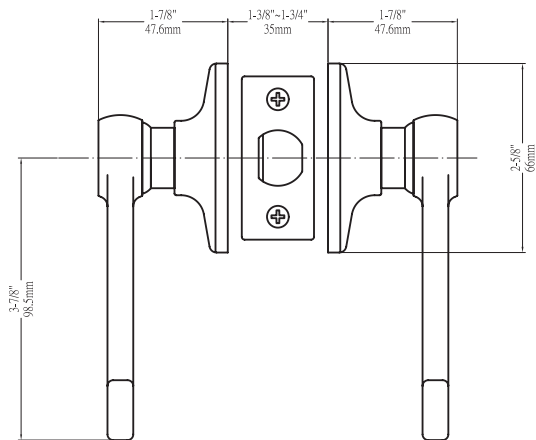


BOX PACK

Model	Function	WT/ LB	CTN QTY		US15 Satin Nickel	US10BE Edged Bronze
500T-KI	Entrance	35 lb	20 Pcs	Item No.	KI5101R	KI5107R
				List Price	\$42.00	\$45.00
501T-KI	Passage	23 lb	20 Pcs	Item No.	KI5011R	KI5017R
				List Price	\$32.00	\$33.00
502T-KI	Privacy	24 lb	20 Pcs	Item No.	KI5021R	KI5027R
				List Price	\$34.00	\$35.00
515T-KI	Dummy	15 lb	20 Pcs	Item No.	KI5051R	KI5057R
				List Price	\$17.60	\$18.90
300T-KI	Combo	62 lb	10 Pcs	Item No.	KI3001R	KI3007R
				List Price	\$68.00	\$72.00

LEXINGTON

Shown in Satin Nickel

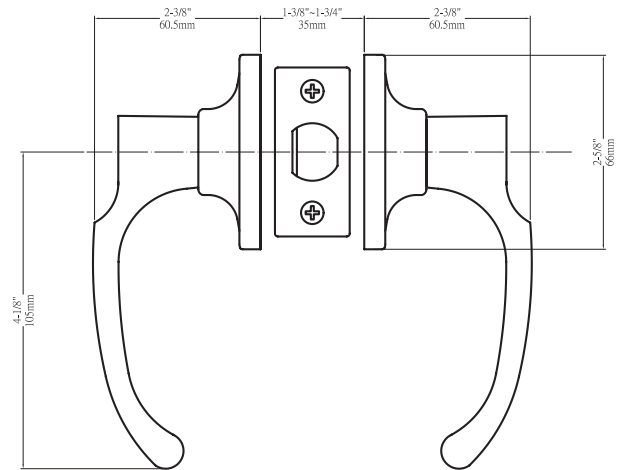


BOX PACK

Model	Function	WT/ CTN	CTN QTY		US15 Satin Nickel
500T-LE	Entrance LE/LE	35 lb	20 Pcs	Item No.	KA5101R
				List Price	\$42.00
501T-LE	Passage	23 lb	20 Pcs	Item No.	KA5011R
				List Price	\$32.00
502T-LE	Privacy	24 lb	20 Pcs	Item No.	KA5021R
				List Price	\$34.00
515TLE	Dummy	15 lb	20 Pcs	Item No.	KA5051R
				List Price	\$17.60

NEWPORT

Shown in Satin Nickel

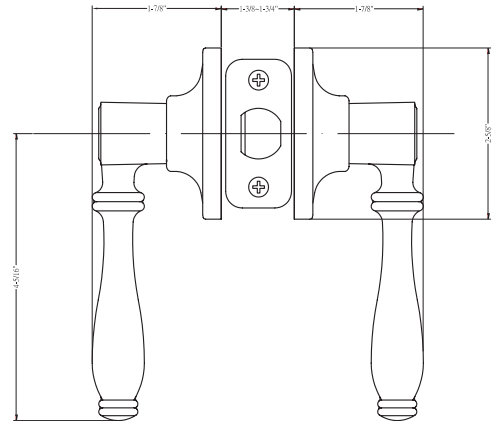


BOX PACK

Model	Function	WT/CTN	CTN QTY		US15 Satin Nickel	US15A Antique Nickel	US10B Oil Rubbed Bronze	US10BE Edged Bronze
500T-NE	Entrance	35 lb	20 Pcs	Item No.	KN5001	KN5008	KN5000	KN5007
				List Price	\$45.00	\$45.00	\$49.00	\$49.00
501T-NE	Passage	23 lb	20 Pcs	Item No.	KN5011	KN5018	KN5010	KN5017
				List Price	\$35.00	\$35.00	\$37.00	\$37.00
502T-NE	Privacy	24 lb	20 Pcs	Item No.	KN5021	KN5028	KN5020	KN5027
				List Price	\$37.00	\$37.00	\$39.00	\$39.00
515T-NE	Dummy	15 lb	20 Pcs	Item No.	KN5051	KN5058	KN5050	KN5057
				List Price	\$17.60	\$17.60	\$19.00	\$19.00
300-NE	Combo	62 lb	10 Pcs	Item No.	KN3001	—	KN3000	KN3007
				List Price	\$71.00		\$73.60	\$73.60

SILONA

Shown in Satin Nickel

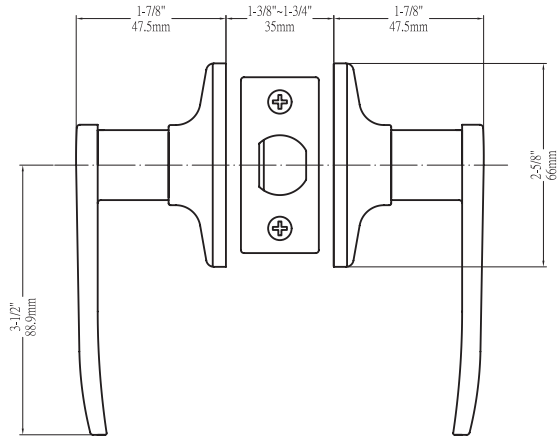


BOX PACK

Model	Function	WT/CTN	CTN QTY		US15 Satin Nickel	US26 Bright Chrome	US10BE Edged Bronze	Antique Silver
500T-SL	Entrance	35 lb	20 Pcs	Item No.	ST5101	ST5106	ST5107	ST5102
				List Price	\$42.00	\$42.00	\$45.00	\$45.00
501T-SL	Passage	23 lb	20 Pcs	Item No.	ST5011	ST5016	ST5017	ST5012
				List Price	\$32.00	\$32.00	\$33.00	\$33.00
502T-SL	Privacy	24 lb	20 Pcs	Item No.	ST5021	ST5026	ST5027	ST5022
				List Price	\$34.00	\$34.00	\$35.00	\$35.00
515T-SL	Dummy	15 lb	20 Pcs	Item No.	ST5051	ST5056	ST5057	ST5052
				List Price	\$17.60	\$17.60	\$18.90	\$18.90

ASHEVILLE

Shown in Satin Nickel

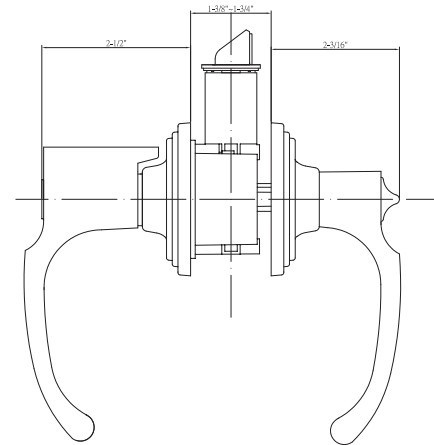


BOX PACK

Model	Function	WT/ LB	CTN QTY	US15 Satin Nickel	
500T-AH	Entrance	35 lb	20 Pcs	Item No.	AH5101
				List Price	\$42.00
501T-AH	Passage	23 lb	20 Pcs	Item No.	AH5011
				List Price	\$32.00
502T-AH	Privacy	24 lb	20 Pcs	Item No.	AH5021
				List Price	\$34.00
515T-AH	Dummy	15 lb	20 Pcs	Item No.	AH5051
				List Price	\$17.60

ARTINO

Shown in Satin Nickel



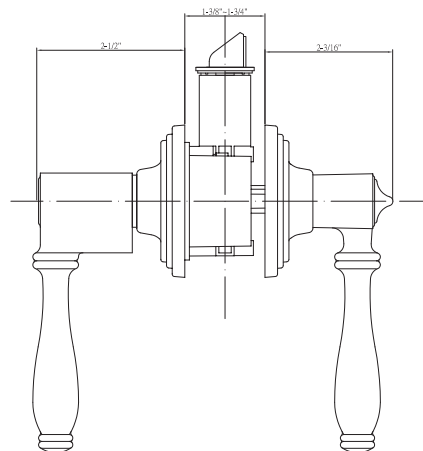
BOX PACK

Model	Function	WT/ CTN	CTN QTY	US15 Satin Nickel	US10BE Edged Bronze	US19 Matte Black
500T-AR*	Entrance	25 lb	10 Pcs	Item No.	360201	360207
				List Price	\$90.60	\$90.60
501T-AR	Passage	20 lb	10 Pcs	Item No.	364201	364207
				List Price	\$85.60	\$85.60
502T-AR	Privacy	21 lb	10 Pcs	Item No.	362201	362207
				List Price	\$85.60	\$85.60
515T-AR	Dummy	17 lb	20 Pcs	Item No.	365201	365207
				List Price	\$43.00	\$43.00

* Standard SC1 5-pin Cylinder

SORADO

Shown in Matte Black



BOX PACK

Model	Function	WT/ CTN	CTN QTY		US10BE Edged Bronze	US19 Matte Black
500T-SO*	Entrance	25 lb	10 Pcs	Item No.	360107	360104
				List Price	\$90.60	\$90.60
501T-SO	Passage	20 lb	10 Pcs	Item No.	364107	364104
				List Price	\$85.60	\$85.60
502T-SO	Privacy	21 lb	10 Pcs	Item No.	362107	362104
				List Price	\$85.60	\$85.60
515T-SO	Dummy	17 lb	20 Pcs	Item No.	365107	365104
				List Price	\$43.00	\$43.00

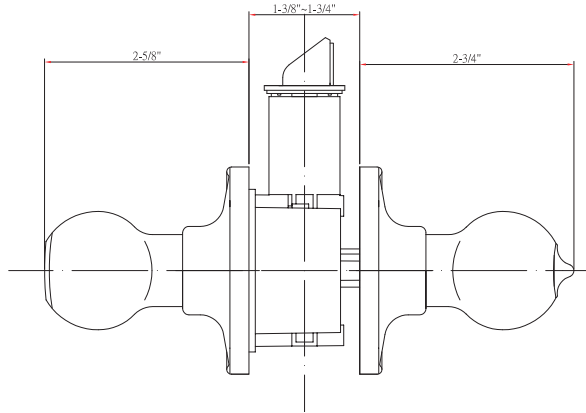
* Standard SC1 5-pin Cylinder

Specifications

Door Prep	Cross bore: 2-1/8" Edge bore: 1" Latch face: 1" x 2-1/4"	Latches	Entrance: 2-3/8" and 2-3/4" adjustable (C9060 R/S) Passage/Privacy: 2-3/8" and 2-3/4" adjustable (C9064 R/S) Faceplate: 1" x 2-1/4" Rd. and Sq. corner Bolt: 1/2" throw
Backset	Fits 2-3/8" and 2-3/4"	Strikes	1-3/4" x 2-1/4" full lip Rd. and Sq. corner (9103 and 9102). Includes Reinforcement Plate
Door Thickness	1-3/8" ~ 1-3/4" door standard 2-1/4" Ext. Kit available for Pass/Priv only	Wood Screws	Combination screws that suit both wood or metal door mounting. Includes 1-1/2" Security Screws
Cylinder	SC1 5-pin standard ; KW1 5-pin optional Entries packed KA5	Grade 2 Features	Full protection collar, Interlocking installation guides, Reinforced spring assembly

EDGEWOOD GRADE 2

Shown in Oil Rubbed Bronze Edged



BOX PACK

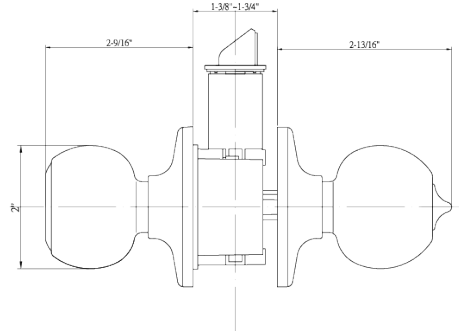
Model	Function	WT/LB	CTN QTY		US15 Satin Nickel	US10BE Edged Bronze
100T-CA-G2	Entrance	14 lb	10 Pcs	Item No.	G2KE1001	G2KE1007
				List Price	\$50.30	\$52.00
101T-CA-G2	Passage	14 lb	10 Pcs	Item No.	G2KE1011	G2KE1017
				List Price	\$42.00	\$43.00
102T-CA-G2	Privacy	14 lb	10 Pcs	Item No.	G2KE1021	G2KE1027
				List Price	\$43.00	\$44.00
115T-CA	Dummy	9 lb	20 Pcs	Item No.	G2KE1051	G2KE1057
				List Price	\$16.30	\$17.00

VISUAL PACK

Model	Function	WT/CTN	CTN QTY		US10BE Edged Bronze
VB-100T-CA-G2	Entrance	23 lb	10 Pcs	Item No.	VBG2KE1007
				List Price	\$53.00
VB-101T-CA-G2	Passage	23 lb	10 Pcs	Item No.	VBG2KE1017
				List Price	\$44.00
VB-102T-CA-G2	Privacy	24 lb	10 Pcs	Item No.	VBG2KE1027
				List Price	\$45.00
VB-115T-CA	Dummy (Pair)	24 lb	10 Pcs	Item No.	VBKE1057
				List Price	\$35.00

ROLAND GRADE 2

Shown in Satin Nickel

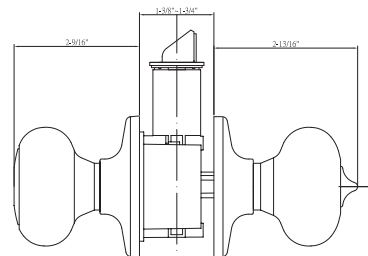


BOX PACK

Model	Function	WT/LB	CTN QTY	US15 Satin Nickel	
100T-FD	Entrance	27 Lbs	20 Pcs	Item No.	G2KR1001
				List Price	\$45.60
101T-FD	Passage	22 Lbs	20 Pcs	Item No.	G2KR1011
				List Price	\$31.60
102T-FD	Privacy	22 Lbs	20 Pcs	Item No.	G2KR1021
				List Price	\$32.30
115T-FD	Dummy	9 Lbs	20 Pcs	Item No.	KR1051
				List Price	\$11.30

SAWYER GRADE 2

Shown in Satin Nickel



BOX PACK

Model	Function	WT/LB	CTN QTY	US3 Bright Brass	US15 Satin Nickel	US10BE Edged Bronze	US5 Antique Brass	US19 Matte Black	
100T-SA-G2	Entrance	16 lb	10 Pcs	Item No.	G2KS1003	G2KS1001	G2KS1007	G2KS1005	G2KS1004
				List Price	\$42.60	\$49.30	\$52.30	\$52.30	\$52.30
101T-SA-G2	Passage	13 lb	10 Pcs	Item No.	G2KS1013	G2KS1011	G2KS1017	G2KS1015	G2KS1014
				List Price	\$31.30	\$33.30	\$36.60	\$36.60	\$36.60
102T-SA-G2	Privacy	13 lb	10 Pcs	Item No.	G2KS1023	G2KS1021	G2KS1027	G2KS1025	G2KS1024
				List Price	\$31.90	\$34.30	\$37.60	\$37.60	\$37.60
115T-SA	Dummy	9 lb	20 Pcs	Item No.	G2KS1053	G2KS1051	G2KS1057	G2KS1055	G2KS1054
				List Price	\$11.30	\$12.30	\$13.60	\$13.60	\$13.60

VISUAL PACK

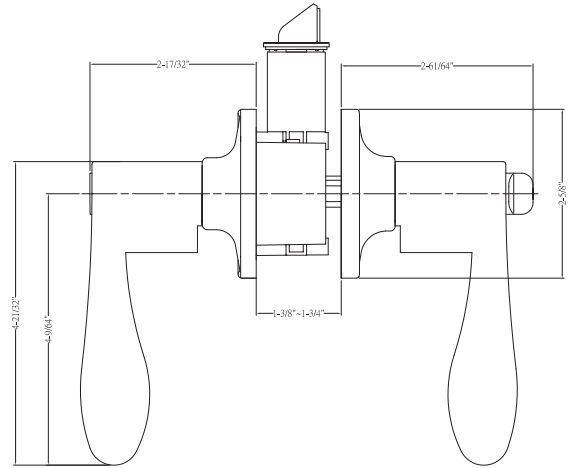
Model	Function	WT/LB	CTN QTY	US15 Satin Nickel	US10BE Edged Bronze	US19 Matte Black	
VB-100T-SA-G2	Entrance	20 lb	10 Pcs	Item No.	VBG2KS1001	VBG2KS1007	VBG2KS1004
				List Price	\$50.30	\$53.30	\$53.30
VB-101T-SA-G2	Passage	17 lb	10 Pcs	Item No.	VBG2KS1011	VBG2KS1017	VBG2KS1014
				List Price	\$34.30	\$37.60	\$37.60
VB-102T-SA-G2	Privacy	18 lb	10 Pcs	Item No.	VBG2KS1021	VBG2KS1027	VBG2KS1024
				List Price	\$35.30	\$38.60	\$38.60
VB-115T-SA	Dummy (Pair)	14 lb	10 Pair	Item No.	VBKS1051	VBKS1057	VBKS1054
				List Price	\$26.00	\$28.00	\$28.00

Specifications

Door Prep	Cross bore: 2-1/8" Edge bore: 1" Latch face: 1" x 2-1/4"	Latches	Entrance: 2-3/8" and 2-3/4" adjustable (C9060 R/S) Passage/Privacy: 2-3/8" and 2-3/4" adjustable (C9064 R/S) Faceplate: 1" x 2-1/4" Rd. and Sq. corner Bolt: 1/2" throw
Backset	Fits 2-3/8" and 2-3/4"	Strikes	1-3/4" x 2-1/4" full lip Rd. and Sq. corner (9103 and 9102). Includes Reinforcement Plate
Door Thickness	1-3/8" ~ 1-3/4" door standard 2-1/4" Ext. Kit available for Pass/Priv Only	Wood Screws	Combination screws that suit both wood or metal door mounting. Includes 1-1/2" Security Screws
Cylinder	SC1 5-pin standard ; KW1 5-pin optional Entries packed KA5	Grade 2 Features	Full protection collar, Interlocking installation guides, Reinforced spring assembly
Door Handling	Reversible lever handing required for dummy function and handleset interior		

BENTLEY GRADE 2

Shown in Satin Nickel



BOX PACK

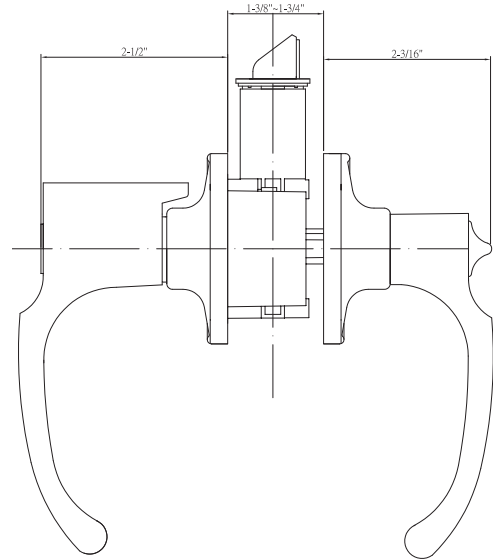
Model	Function	WT/ CTN	CTN QTY		US15 Satin Nickel	US10BE Edged Bronze	US19 Matte Black
500T-BN-G2	Entrance	35 lb	10 Pcs	Item No.	G2BN5101R	G2BN5107R	G2BN5104R
				List Price	\$57.00	\$60.00	\$60.00
501T-BN-G2	Passage	23 lb	10 Pcs	Item No.	G2BN5011R	G2BN5017R	G2BN5014R
				List Price	\$44.60	\$47.30	\$47.30
502T-BN-G2	Privacy	24 lb	10 Pcs	Item No.	G2BN5021R	G2BN5027R	G2BN5024R
				List Price	\$46.90	\$49.00	\$49.00
515T-BN	Dummy	15 lb	20 Pcs	Item No.	G2BN5051 (L/R)	G2BN5057 (L/R)	G2BN5054 (L/R)
				List Price	\$17.30	\$19.00	\$19.00

VISUAL PACK

Model	Function	WT/ CTN	CTN QTY		US15 Satin Nickel	US10BE Edged Bronze
VB-500T-BN-G2	Entrance	27 lb	10 Pcs	Item No.	VBG2BN5101R	VBG2BN5107R
				List Price	\$58.00	\$61.00
VB-501T-BN-G2	Passage	23 lb	10 Pcs	Item No.	VBG2BN5011R	VBG2BN5017R
				List Price	\$45.60	\$48.30
VB-502T-BN-G2	Privacy	24 lb	10 Pcs	Item No.	VBG2BN5021R	VBG2BN5027R
				List Price	\$47.90	\$50.00
VB-515T-BN	Dummy (Pair)	21 lb	10 Pcs	Item No.	VBBN5051	VBBN5057
				List Price	\$38.00	\$40.00

NOLAN GRADE 2

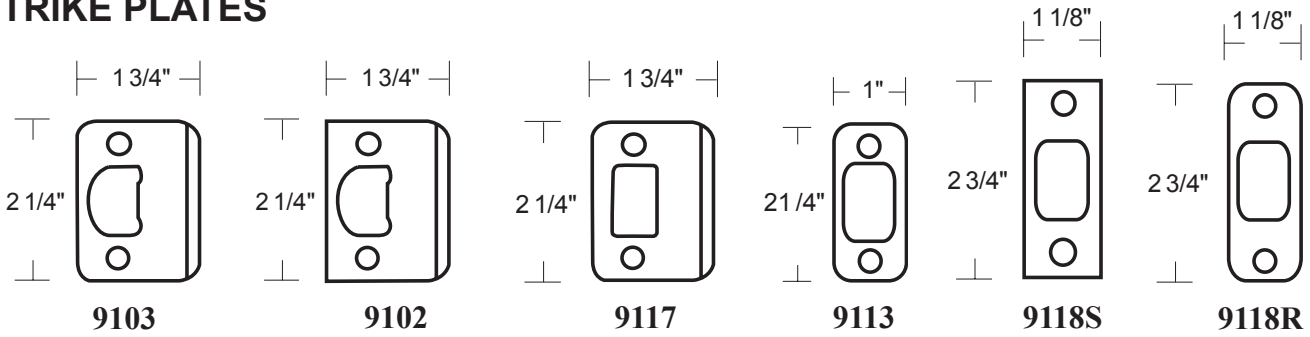
Shown in Satin Nickel



BOX PACK

Model	Function	WT/ CTN	CTN QTY	US15 Satin Nickel	
500T-NE-G2	Entrance	21 lb	10 Pcs	Item No.	G2KN5001
				List Price	\$57.00
501T-NE-G2	Passage	18 lb	10 Pcs	Item No.	G2KN5011
				List Price	\$44.60
502T-NE-G2	Privacy	21 lb	10 Pcs	Item No.	G2KN5021
				List Price	\$46.90
515T-NE	Dummy	15 lb	20 Pcs	Item No.	G2KN5051
				List Price	\$17.30

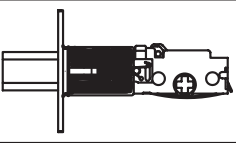
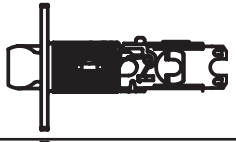

STRIKE PLATES



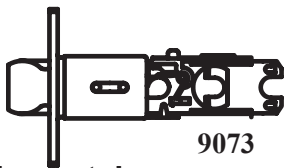
Description	Style	US15	US3	US5	US26	Antique Silver	US15A	US10B	US19	
Full Lip Entry Strike (Round Corner)	9103	Item No.	280002	280003	280005	280006	280001	280008	280009	280004
		List Price	\$2.90	\$2.90	\$2.90	\$2.90	\$2.90	\$2.90	\$2.90	\$2.90
Full Lip Entry Strike (Square Corner)	9102	Item No.	280002S	280003S	—	—	—	—	280009S	—
		List Price	\$2.90	\$2.90					\$2.90	
Full Lip Deadbolt Strike	9117	Item No.	280102	280103	280105	280106	280101	280108	280109	—
		List Price	\$2.90	\$2.90	\$2.90	\$2.90	\$2.90	\$2.90	\$2.90	\$2.90
Deadbolt Strike	9113	Item No.	2891132	2891133	2891135	2891136	2891131	2891138	2891139	2891134
		List Price	\$2.90	\$2.90	\$2.90	\$2.90	\$2.90	\$2.90	\$2.90	\$2.90
Deadbolt Strike w/ Reinforcement Plate	9118R/S	Item No.	2891182	2891183	—	—	—	—	2891189	2891184
		List Price	\$3.90	\$3.90					\$3.90	\$3.90

GRADE 2 LATCHES 2-3/4" ~ 2-3/8"

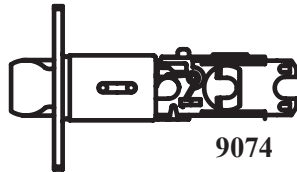
CALLAN and Italian Collection Latches

Model	Description	US15	US10BE	US3	
 C9092 R/S	Deadbolt Latch w/ Sq. & Rd. Faceplate	Item No.	378001	378007	378003
		List Price	\$17.30	\$17.30	\$17.30
 C9073 R/S	Entry Deadlatch w/ Sq. & Rd. Faceplate	Item No.	378101	378107	378103
		List Price	\$14.30	\$14.30	\$14.30
 C9074 R/S	Passage / Privacy Spring Latch w/ Sq. & Rd. Faceplate	Item No.	378201	378207	378203
		List Price	\$14.30	\$14.30	\$14.30

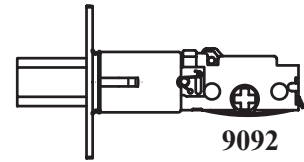
GRADE 3 LATCHES 2-3/4" ~ 2-3/8"



9073



9074



9092

Mortise Latches

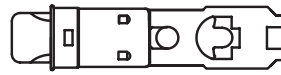
Description	Style		US15 Satin Nickel	US3 Bright Brass	US5 Antique Brass	US26 Bright Chrome	US15A Antique Nickel	US10B Oil Rubbed Bronze
Adjustable Dead Latch (Entry)	9073	Item No.	C260001	C260003	C260005	C260006	C260008	C260009
		List Price	\$14.30	\$14.30	\$14.30	\$14.30	\$14.30	\$14.30
Adjustable Spring Latch (Passage / Privacy)	9074	Item No.	C260051	C260053	C260055*	C260056	C260058	C260059
		List Price	\$14.30	\$14.30	\$14.30	\$14.30	\$14.30	\$14.30
Adjustable Latch (Deadbolt)	9092	Item No.	C261001	C261003	C261005	C261006	C261008	C261009
		List Price	\$17.30	\$17.30	\$17.30	\$17.30	\$17.30	\$17.30



9075



9076



9047



9093

Drive-In Latches

Description	Style		US15 Satin Nickel
1" Adjustable Dead Latch (Entry)	9075	Item No.	C260061
		List Price	\$14.30
1" Adjustable Spring Latch (Passage / Privacy)	9076	Item No.	C260121
		List Price	\$14.30
7/8" Adjustable 2-3/8" Fixed Spring Latch (Passage / Privacy)	9047	Item No.	C260120
		List Price	\$14.30
7/8" Adjustable 2-3/4" Fixed Spring Latch (Passage / Privacy)	9047	Item No.	C260122
		List Price	\$14.30
1" Adjustable Latch (Deadbolt)	9093	Item No.	C261061
		List Price	\$17.30

EXTENSION KITS

Description		US15 Satin Nickel	US10BE - Edged Bronze / Matte Black
2-1/4" Extension Kit for Knobs & Levers (Passage & Privacy Only)	Item No.	377950	377951
	List Price	\$2.90	\$2.90
2-1/4" Extension Kit for Deadbolt	Item No.	377955	377956
	List Price	\$2.90	\$2.90



Bravura®

Elevate
Every
Detail.

Unrivaled Craftsmanship.

Bravura stands as a testament to the finest craftsmanship, meticulously hand-crafted to perfect, ensuring every detail exudes grace and elegance.

Timeless Elegance.

Elevate your home with Bravura's exquisite designs, inspired by timeless beauty and crafted to complement the most sophisticated interiors.

Entrance Hardware

Handlesets

Deadbolts

Knobs & Levers

Knobs

Crystal Knobs

Levers

Elite Series

Jacksonville in
Oil Rubbed Bronze

Bravura® ENTRANCE HANDLESETS

Specifications:

Door Prep	Deadbolt cross bore: 2-1/8" Handleset cross bore: 2-1/8" Edge bore: 1" Latch Face: 1" x 2-1/4" Mounting (center to center) 5-1/2"	Latches	2-3/8" Mortise Latch Standard 2-3/4" Mortise Latch Available Faceplate: 1" x 2 1/4" Rd & Square Corner
		Cylinder	SC1 5-Pin C Keyway
Door Thickness	1-3/4" Standard 2", 2-1/4", & 2-1/2" Extension Kits Available	Strikes	Deadbolt: Full lip round corner (9117 & 9113) Handle: Full lip round corner (9103)
Door Handing	Specify handing when ordering lever as Interior option		



913-SAVANNAH

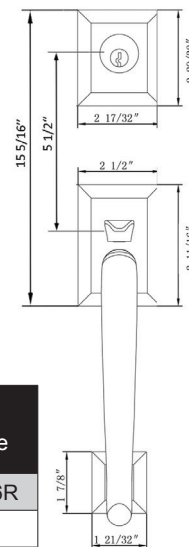
Handleset with

615 Interior Plate and

906 Interior Knob*

Shown in Satin Nickel

*More Interior Options Available



Function	CTN Qty		US10B Oil Rubbed Bronze	US15 Satin Nickel	US19 Matte Black	US26 Bright Chrome
Single Cylinder	2	Item No.	BV913002906R	BV913001906R	BV913001906R	BV913003906R
		List Price	\$376.00	\$376.00	\$376.00	\$376.00
Dummy	2	Item No.	BV913502	BV913501	BV913504	BV913503
		List Price	\$376.00	\$376.00	\$376.00	\$376.00



913-SAVANNAH

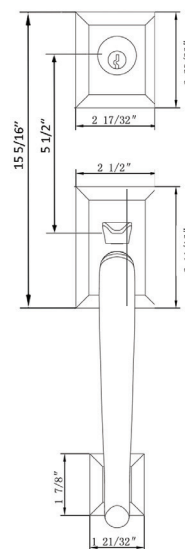
Handleset with

615 Interior Plate and

939 Interior Lever*

Shown in Satin Nickel

*More Interior Options Available



Function	CTN Qty		US10B Oil Rubbed Bronze	US15 Satin Nickel	US19 Matte Black	US26 Bright Chrome
Single Cylinder	2	Item No.	BV913002939 (R/L)	BV913001939 (R/L)	BV913004939 (R/L)	BV913003939 (R/L)
		List Price	\$376.00	\$376.00	\$376.00	\$376.00
Dummy	2	Item No.	BV913502	BV913501	BV913504	BV913503
		List Price	\$376.00	\$376.00	\$376.00	\$376.00

Bravura® ENTRANCE HANDLESETS



980G-1-CHARLESTON

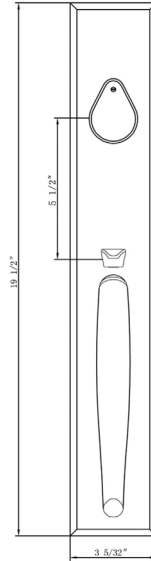
Handleset with

615 Interior Plate and

906 Interior Knob*

Shown in Satin Nickel

*More Interior Options Available



Function	CTN Qty		US10B Oil Rubbed Bronze	US15 Satin Nickel	US19 Matte Black	US26 Bright Chrome
Single Cylinder	2	Item No.	BV980001906R	BV980000906R	BV980005906R	BV980003906R
		List Price	\$507.00	\$507.00	\$507.00	\$507.00
Dummy	2	Item No.	BV980011	BV989910	BV980015	BV980013
		List Price	\$507.00	\$507.00	\$507.00	\$507.00



980G-1-CHARLESTON

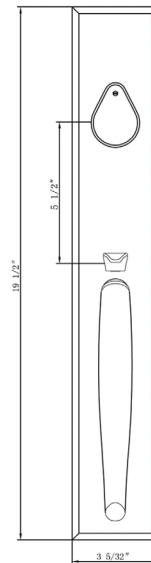
Handleset with

615 Interior Plate and

939 Interior Lever*

Shown in Satin Nickel

*More Interior Options Available



Function	CTN Qty		US10B Oil Rubbed Bronze	US15 Satin Nickel	US19 Matte Black	US26 Bright Chrome
Single Cylinder	2	Item No.	BV980001939 (R/L)	BV980000939 (R/L)	BV980005939 (R/L)	BV980003939 (R/L)
		List Price	\$507.00	\$507.00	\$507.00	\$507.00
Dummy	2	Item No.	BV980011	BV989910	BV980015	BV980013
		List Price	\$507.00	\$507.00	\$507.00	\$507.00

Bravura® ENTRANCE HANDLESETS



915-JACKSONVILLE

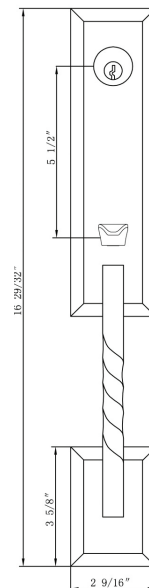
Handleset with

615 Interior Plate and

906 Interior Knob*

Shown in Satin Nickel

*More Interior Options Available



Function	CTN Qty		US10B Oil Rubbed Bronze	US15 Satin Nickel	US19 Matte Black	US26 Bright Chrome
Single Cylinder	2	Item No.	BV915002906R	BV915001906R	BV915005906R	BV915003906R
		List Price	\$433.00	\$433.00	\$433.00	\$433.00
Dummy	2	Item No.	BV915502	BV915501	BV915505	BV915503
		List Price	\$433.00	\$433.00	\$433.00	\$433.00



915-JACKSONVILLE

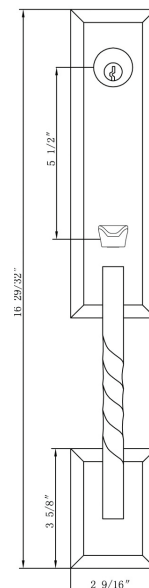
Handleset with

615 Interior Plate and

939 Interior Lever*

Shown in Satin Nickel

*More Interior Options Available



Function	CTN Qty		US10B Oil Rubbed Bronze	US15 Satin Nickel	US19 Matte Black	US26 Bright Chrome
Single Cylinder	2	Item No.	BV915002939 (R/L)	BV915001939 (R/L)	BV915005939 (R/L)	BV915003939 (R/L)
		List Price	\$433.00	\$433.00	\$433.00	\$433.00
Dummy	2	Item No.	BV915502	BV915501	BV915505	BV915503
		List Price	\$433.00	\$433.00	\$433.00	\$433.00

Bravura® ENTRANCE HANDLESETS



973-MONTGOMERY

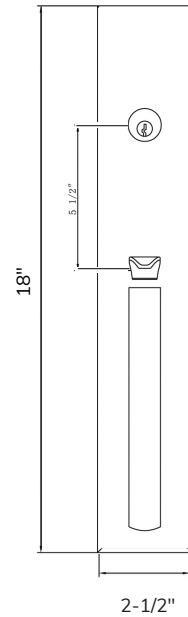
Handleset with

672 Interior Plate and

906 Interior Knob*

Shown in Satin Brass

*More Interior Options Available



Function	CTN Qty		US10B Oil Rubbed Bronze	US15 Satin Nickel	US19 Matte Black	US26 Bright Chrome	US4 Satin Brass
Single Cylinder	2	Item No.	BV973002906R	BV973001906R	BV973005906R	BV973003906R	BV973004906R
		List Price	\$507.00	\$507.00	\$507.00	\$507.00	\$507.00
Dummy	2	Item No.	BV973012	BV973011	BV973015	BV973013	BV973014
		List Price	\$507.00	\$507.00	\$507.00	\$507.00	\$507.00



973-MONTGOMERY

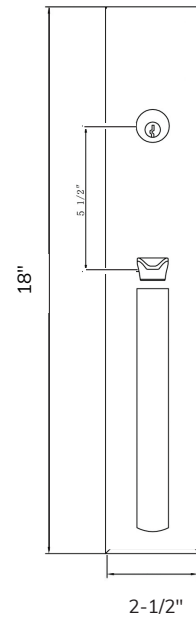
Handleset with

672 Interior Plate and

939 Interior Lever*

Shown in Satin Brass

*More Interior Options Available

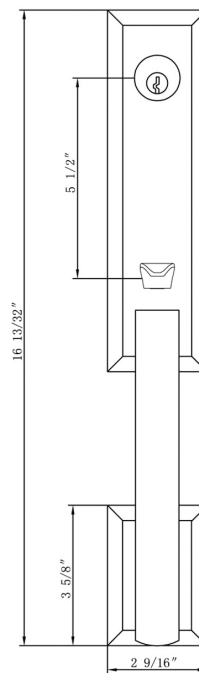


Function	CTN Qty		US10B Oil Rubbed Bronze	US15 Satin Nickel	US19 Matte Black	US26 Bright Chrome	US4 Satin Brass
Single Cylinder	2	Item No.	BV973002939 (R/L)	BV973001939 (R/L)	BV973005939 (R/L)	BV973003939 (R/L)	BV973004939 (R/L)
		List Price	\$507.00	\$507.00	\$507.00	\$507.00	\$507.00
Dummy	2	Item No.	BV973012	BV973011	BV973015	BV973013	BV973014
		List Price	\$507.00	\$507.00	\$507.00	\$507.00	\$507.00

Bravura® ENTRANCE HANDLESETS



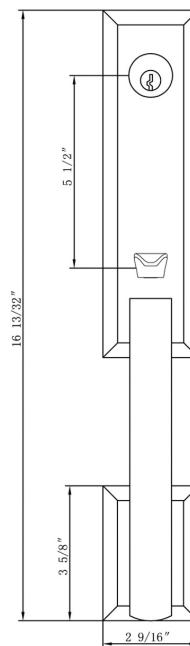
971-AUSTIN
Handleset with
615 Interior Plate and
906 Interior Knob*
 Shown in Satin Nickel
 *More Interior Options Available



Function	CTN Qty		US10B Oil Rubbed Bronze	US15 Satin Nickel	US19 Matte Black	US26 Bright Chrome
Single Cylinder	2	Item No.	BV971002906R	BV971001906R	BV971005906R	BV971003906R
		List Price	\$433.00	\$433.00	\$433.00	\$433.00
Dummy	2	Item No.	BV971502	BV971501	BV971505	BV971503
		List Price	\$433.00	\$433.00	\$433.00	\$433.00



971-AUSTIN
Handleset with
615 Interior Plate and
939 Interior Lever*
 Shown in Satin Nickel
 *More Interior Options Available



Function	CTN Qty		US10B Oil Rubbed Bronze	US15 Satin Nickel	US19 Matte Black	US26 Bright Chrome
Single Cylinder	2	Item No.	BV971002939 (R/L)	BV971001939 (R/L)	BV971005939 (R/L)	BV971003939 (R/L)
		List Price	\$433.00	\$433.00	\$433.00	\$433.00
Dummy	2	Item No.	BV971502	BV971501	BV971505	BV971503
		List Price	\$433.00	\$433.00	\$433.00	\$433.00

HANDLESET FINISH OPTIONS

	US10B OIL RUBBED BRONZE	US15 SATIN NICKEL	US19 MATTE BLACK	US26 BRIGHT CHROME	US4 SATIN BRASS
980G-1-Charleston	•	•	•	•	
913-Savannah	•	•	•	•	
915-Jacksonville	•	•	•	•	
973-Montgomery	•	•	•	•	•
971-Austin	•	•	•	•	

DEADBOLTS

Specifications: ANSI Rated Grade 2

Door Prep	Deadbolt cross bore: 2-1/8" Edge bore: 1" Latch Face: 1" x 2-1/4"	Latches	2-3/8 to 2-3/4" Adjustable Latch Standard
		Cylinder	SC1 5-Pin C Keyway
Door Thickness	1-3/4" Standard, 1-3/8" Optional 2", 2-1/4", & 2-1/2" Extension Kits Available	Strikes	Deadbolt: 9118R/S with Reinforcement Plate Dust Box
		Functions	Single Cylinder

RECTANGLE DEADBOLT

Shown in Satin Nickel



Cylinder	Finish	Item No.	List Price
Single Deadbolt	Satin Nickel (US15)	BV910005	\$98.00
Single Deadbolt	Oil Rubbed Bronze (US10B)	BV910006	\$98.00
Single Deadbolt	Matte Black (US19)	BV910097	\$98.00
Single Deadbolt	Bright Chrome (US26)	BV910103	\$98.00

ARCHED DEADBOLT

Shown in Satin Nickel



Cylinder	Finish	Item No.	List Price
Single Deadbolt	Satin Nickel (US15)	BV910007	\$98.00
Single Deadbolt	Oil Rubbed Bronze (US10B)	BV910008	\$98.00
Single Deadbolt	Matte Black (US19)	BV910025	\$98.00
Single Deadbolt	Bright Chrome (US26)	BV910009	\$98.00

ROUND DEADBOLT

Shown in Satin Nickel



Cylinder	Finish	Item No.	List Price
Single Deadbolt	Satin Nickel (US15)	BV910604	\$98.00
Single Deadbolt	Oil Rubbed Bronze (US10B)	BV910606	\$98.00
Single Deadbolt	Matte Black (US19)	BV910609	\$98.00
Single Deadbolt	Bright Chrome (US26)	BV910605	\$98.00

SQUARE DEADBOLT

Shown in Satin Nickel



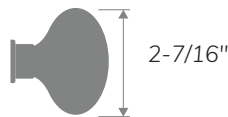
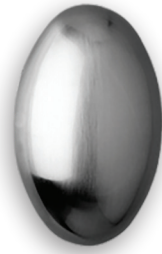
Cylinder	Finish	Item No.	List Price
Single Deadbolt	Satin Nickel (US15)	BV910700	\$98.00
Single Deadbolt	Oil Rubbed Bronze (US10B)	BV910702	\$98.00
Single Deadbolt	Matte Black (US19)	BV910709	\$98.00
Single Deadbolt	Bright Chrome (US26)	BV910701	\$98.00

Bravura® KNOBS & LEVERS

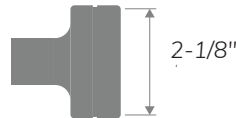
Specifications:

Door Prep	Cross bore: 2-1/8" Edge bore: 1" Latch Face: 1" x 2-1/4"	Latches	2-3/8" Standard and 2-3/4" Optional Faceplate: 1" x 2-1/4" round corner Bolt: 1/2" Solid Brass throw Drive-in or UL Available
Backset	2-3/8" Standard and 2-3/4" Optional	Strikes	Supplied with full lip round corner (9103) and square corner strikes (9102)
Door Thickness	1-3/8" ~ 2", 2-1/4" & 2-1/2" Extension Kits Available		

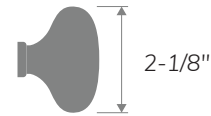
905-OXFORD KNOB



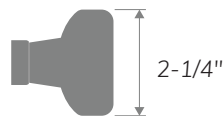
947-DALLAS KNOB



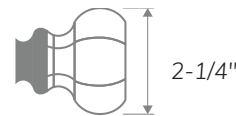
906-MACON KNOB



936- NASHVILLE KNOB



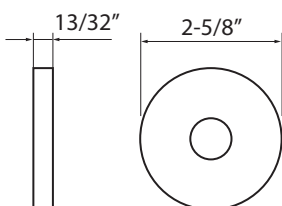
925-BANCROFT KNOB



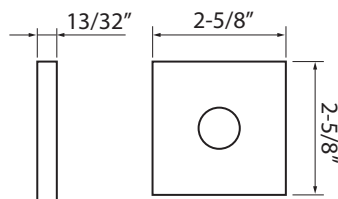
TRIM DIMENSIONS

Examples shown in Satin Nickel

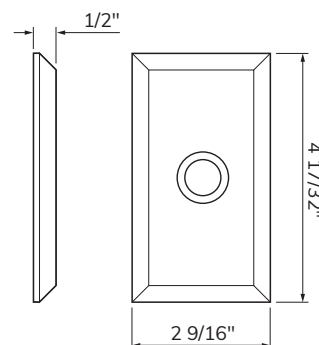
**-6
ROUND**



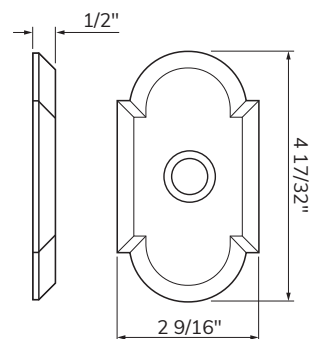
**-7
SQUARE**



**-G1
RECTANGLE**



**-G2
ARCHED**



905-OXFORD KNOB

905-6 OXFORD

Shown in Satin Nickel
with Round Trim



Function	Finish	CTN Qty	Item No.	List Price
Passage	Oil Rubbed Bronze (US10B)	12	BV905-607	\$141.00
	Satin Nickel (US15)	12	BV905-601	\$141.00
	Matte Black (US19)	12	BV905-605	\$141.00
	Bright Chrome (US26)	12	BV905-603	\$141.00
Privacy	Oil Rubbed Bronze (US10B)	12	BV905-617	\$141.00
	Satin Nickel (US15)	12	BV905-611	\$141.00
	Matte Black (US19)	12	BV905-615	\$141.00
	Bright Chrome (US26)	12	BV905-613	\$141.00
Dummy	Oil Rubbed Bronze (US10B)	12	BV905-627	\$70.00
	Matte Black (US19)	12	BV905-625	\$70.00
	Satin Nickel (US15)	12	BV905-621	\$70.00
	Bright Chrome (US26)	12	BV905-623	\$70.00

905-7 OXFORD

Shown in Satin Nickel
with Square Trim



Function	Finish	CTN Qty	Item No.	List Price
Passage	Matte Black (US19)	12	BV905-705	\$140.00
	Oil Rubbed Bronze (US10B)	12	BV905093	\$140.00
	Satin Nickel (US15)	12	BV905-701	\$140.00
	Bright Chrome (US26)	12	BV905-703	\$140.00
Privacy	Oil Rubbed Bronze (US10B)	12	BV905094	\$140.00
	Satin Nickel (US15)	12	BV905-711	\$140.00
	Matte Black (US19)	12	BV905-715	\$140.00
	Bright Chrome (US26)	12	BV905-713	\$140.00
Dummy	Oil Rubbed Bronze (US10B)	12	BV905095	\$70.00
	Satin Nickel (US15)	12	BV905-721	\$70.00
	Matte Black (US19)	12	BV905-725	\$70.00
	Bright Chrome (US26)	12	BV905-723	\$70.00

905-OXFORD KNOB

905-G1 OXFORD

Shown in Satin Nickel
with Rectangle Trim



Function	Finish	CTN Qty	Item No.	List Price
Passage	Oil Rubbed Bronze (US10B)	12	BV905108	\$141.00
	Satin Nickel (US15)	12	BV905107	\$141.00
	Matte Black (US19)	12	BV905-105	\$141.00
	Bright Chrome (US26)	12	BV905-103	\$141.00
Privacy	Oil Rubbed Bronze (US10B)	12	BV905118	\$141.00
	Satin Nickel (US15)	12	BV905117	\$141.00
	Matte Black (US19)	12	BV905-115	\$141.00
	Bright Chrome (US26)	12	BV905-113	\$141.00
Dummy	Oil Rubbed Bronze (US10B)	12	BV905128	\$70.00
	Satin Nickel (US15)	12	BV905127	\$70.00
	Matte Black (US19)	12	BV905-125	\$70.00
	Bright Chrome (US26)	12	BV905-123	\$70.00

905-G2 OXFORD

Shown in Satin Nickel
with Arched Trim



Function	Finish	CTN Qty	Item No.	List Price
Passage	Oil Rubbed Bronze (US10B)	12	BV905148	\$141.00
	Satin Nickel (US15)	12	BV905147	\$141.00
	Matte Black (US19)	12	BV905-205	\$141.00
	Bright Chrome (US26)	12	BV905-203	\$141.00
Privacy	Oil Rubbed Bronze (US10B)	12	BV905158	\$141.00
	Satin Nickel (US15)	12	BV905157	\$141.00
	Matte Black (US19)	12	BV905-215	\$141.00
	Bright Chrome (US26)	12	BV905-213	\$141.00
Dummy	Oil Rubbed Bronze (US10B)	12	BV905168	\$70.00
	Satin Nickel (US15)	12	BV905167	\$70.00
	Matte Black (US19)	12	BV905-225	\$70.00
	Bright Chrome (US26)	12	BV905-223	\$70.00

906-MACON KNOB

906-6 MACON

Shown in Satin Nickel
with Round Trim



Function	Finish	CTN Qty	Item No.	List Price
Passage	Oil Rubbed Bronze (US10B)	12	BV906-604	\$141.00
	Satin Nickel (US15)	12	BV906-603	\$141.00
	Matte Black (US19)	12	BV906-605	\$141.00
	Bright Chrome (US26)	12	BV906-606	\$141.00
Privacy	Oil Rubbed Bronze (US10B)	12	BV906-612	\$141.00
	Satin Nickel (US15)	12	BV906-613	\$141.00
	Matte Black (US19)	12	BV906-615	\$141.00
	Bright Chrome (US26)	12	BV906-616	\$141.00
Dummy	Oil Rubbed Bronze (US10B)	12	BV906-622	\$70.00
	Satin Nickel (US15)	12	BV906-621	\$70.00
	Matte Black (US19)	12	BV906-625	\$70.00
	Bright Chrome (US26)	12	BV906-626	\$70.00

906-7 MACON

Shown in Satin Nickel
with Square Trim



Function	Finish	CTN Qty	Item No.	List Price
Passage	Oil Rubbed Bronze (US10B)	12	BV906-702	\$141.00
	Satin Nickel (US15)	12	BV906-701	\$141.00
	Matte Black (US19)	12	BV906-705	\$141.00
	Bright Chrome (US26)	12	BV906-703	\$141.00
Privacy	Oil Rubbed Bronze (US10B)	12	BV906-712	\$141.00
	Satin Nickel (US15)	12	BV906-711	\$141.00
	Matte Black (US19)	12	BV906-715	\$141.00
	Bright Chrome (US26)	12	BV906-713	\$141.00
Dummy	Oil Rubbed Bronze (US10B)	12	BV906-722	\$70.00
	Satin Nickel (US15)	12	BV906-721	\$70.00
	Matte Black (US19)	12	BV906-725	\$70.00
	Bright Chrome (US26)	12	BV906-723	\$70.00

906-MACON KNOB

906-G1 MACON

Shown in Satin Nickel
with Rectangle Trim



Function	Finish	CTN Qty	Item No.	List Price
Passage	Oil Rubbed Bronze (US10B)	12	BV906073	\$141.00
	Satin Nickel (US15)	12	BV906072	\$141.00
	Matte Black (US19)	12	BV906-105	\$141.00
	Bright Chrome (US26)	12	BV906-103	\$141.00
Privacy	Oil Rubbed Bronze (US10B)	12	BV906083	\$141.00
	Satin Nickel (US15)	12	BV906082	\$141.00
	Matte Black (US19)	12	BV906-115	\$141.00
	Bright Chrome (US26)	12	BV906-113	\$141.00
Dummy	Oil Rubbed Bronze (US10B)	12	BV906093	\$70.00
	Satin Nickel (US15)	12	BV906092	\$70.00
	Matte Black (US19)	12	BV906-125	\$70.00
	Bright Chrome (US26)	12	BV906-123	\$70.00

906-G2 MACON

Shown in Satin Nickel
with Arched Trim



Function	Finish	CTN Qty	Item No.	List Price
Passage	Oil Rubbed Bronze (US10B)	12	BV906-301	\$141.00
	Satin Nickel (US15)	12	BV906-302	\$141.00
	Matte Black (US19)	12	BV906-304	\$141.00
	Bright Chrome (US26)	12	BV906-303	\$141.00
Privacy	Oil Rubbed Bronze (US10B)	12	BV906-311	\$141.00
	Satin Nickel (US15)	12	BV906-312	\$141.00
	Matte Black (US19)	12	BV906-314	\$141.00
	Bright Chrome (US26)	12	BV906-313	\$141.00
Dummy	Oil Rubbed Bronze (US10B)	12	BV906-321	\$70.00
	Satin Nickel (US15)	12	BV906-322	\$70.00
	Matte Black (US19)	12	BV906-324	\$70.00
	Bright Chrome (US26)	12	BV906-323	\$70.00

947-DALLAS KNOB

947-G1 DALLAS

Shown in Satin Nickel
with Rectangle Trim



Function	Finish	CTN Qty	Item No.	List Price
Passage	Satin Brass (US4)	12	BV947-200	\$178.00
Privacy	Satin Brass (US4)	12	BV947-201	\$178.00
Dummy	Satin Brass (US4)	12	BV947-202	\$89.00

947-7 DALLAS

Shown in Satin Nickel
with Square Trim



Function	Finish	CTN Qty	Item No.	List Price
Passage	Bright Chrome (US26)	12	BV947-703	\$178.00
	Satin Brass (US4)	12	BV947-704	\$178.00
Privacy	Bright Chrome (US26)	12	BV947-713	\$178.00
	Satin Brass (US4)	12	BV947-714	\$178.00
Dummy	Bright Chrome (US26)	12	BV947-723	\$89.00
	Satin Brass (US4)	12	BV947-724	\$89.00

936-NASHVILLE KNOB

936-6 NASHVILLE

Shown in Satin Nickel
with Round Trim



Function	Finish	CTN Qty	Item No.	List Price
Passage	Oil Rubbed Bronze (US10B)	12	BV936-606	\$178.00
	Satin Nickel (US15)	12	BV936-601	\$178.00
	Matte Black (US19)	12	BV936-608	\$178.00
	Bright Chrome (US26)	12	BV936-603	\$178.00
Privacy	Oil Rubbed Bronze (US10B)	12	BV936-605	\$178.00
	Satin Nickel (US15)	12	BV936-618	\$178.00
	Matte Black (US19)	12	BV936-609	\$178.00
	Bright Chrome (US26)	12	BV936-613	\$178.00
Dummy	Oil Rubbed Bronze (US10B)	12	BV936-607	\$89.00
	Satin Nickel (US15)	12	BV936-628	\$89.00
	Matte Black (US19)	12	BV936-610	\$89.00
	Bright Chrome (US26)	12	BV936-623	\$89.00

936-7 NASHVILLE

Shown in Satin Nickel
with Square Trim



Function	Finish	CTN Qty	Item No.	List Price
Passage	Oil Rubbed Bronze (US10B)	12	BV936-707	\$178.00
	Satin Nickel (US15)	12	BV936-701	\$178.00
	Matte Black (US19)	12	BV936-702	\$178.00
	Bright Chrome (US26)	12	BV936-703	\$178.00
Privacy	Oil Rubbed Bronze (US10B)	12	BV936-717	\$178.00
	Satin Nickel (US15)	12	BV936-711	\$178.00
	Matte Black (US19)	12	BV936-712	\$178.00
	Bright Chrome (US26)	12	BV936-713	\$178.00
Dummy	Oil Rubbed Bronze (US10B)	12	BV936-727	\$89.00
	Satin Nickel (US15)	12	BV936-721	\$89.00
	Matte Black (US19)	12	BV936-720	\$89.00
	Bright Chrome (US26)	12	BV936-723	\$89.00

936-NASHVILLE KNOB

936-G1 NASHVILLE

Shown in Satin Nickel
with Rectangle Trim



Function	Finish	CTN Qty	Item No.	List Price
Passage	Oil Rubbed Bronze (US10B)	12	BV936-152	\$178.00
	Satin Nickel (US15)	12	BV936-151	\$178.00
	Matte Black (US19)	12	BV936-155	\$178.00
	Bright Chrome (US26)	12	BV936-156	\$178.00
Privacy	Oil Rubbed Bronze (US10B)	12	BV936-162	\$178.00
	Satin Nickel (US15)	12	BV936-161	\$178.00
	Matte Black (US19)	12	BV936-165	\$178.00
	Bright Chrome (US26)	12	BV936-166	\$178.00
Dummy	Oil Rubbed Bronze (US10B)	12	BV936-172	\$89.00
	Satin Nickel (US15)	12	BV936-171	\$89.00
	Matte Black (US19)	12	BV936-175	\$89.00
	Bright Chrome (US26)	12	BV936-176	\$89.00

936-G2 NASHVILLE

Shown in Satin Nickel
with Arched Trim



Function	Finish	CTN Qty	Item No.	List Price
Passage	Oil Rubbed Bronze (US10B)	12	BV936-252	\$178.00
	Satin Nickel (US15)	12	BV936-251	\$178.00
	Matte Black (US19)	12	BV936-255	\$178.00
	Bright Chrome (US26)	12	BV936-256	\$178.00
Privacy	Oil Rubbed Bronze (US10B)	12	BV936-262	\$178.00
	Satin Nickel (US15)	12	BV936-261	\$178.00
	Matte Black (US19)	12	BV936-265	\$178.00
	Bright Chrome (US26)	12	BV936-266	\$178.00
Dummy	Oil Rubbed Bronze (US10B)	12	BV936-272	\$89.00
	Satin Nickel (US15)	12	BV936-271	\$89.00
	Matte Black (US19)	12	BV936-275	\$89.00
	Bright Chrome (US26)	12	BV936-276	\$89.00

925-BANCROFT CRYSTAL KNOB

925-6 BANCROFT

Shown in Satin Nickel
with Round Trim



Function	Finish	CTN Qty	Item No.	List Price
Passage	Oil Rubbed Bronze (US10B)	12	BV925-302	\$204.00
	Satin Nickel (US15)	12	BV925-601	\$204.00
	Matte Black (US19)	12	BV925-605	\$204.00
	Bright Chrome (US26)	12	BV925-603	\$204.00
Privacy	Oil Rubbed Bronze (US10B)	12	BV925-312	\$204.00
	Satin Nickel (US15)	12	BV925-611	\$204.00
	Matte Black (US19)	12	BV925-615	\$204.00
	Bright Chrome (US26)	12	BV925-613	\$204.00
Dummy	Oil Rubbed Bronze (US10B)	12	BV925-322	\$102.00
	Satin Nickel (US15)	12	BV925-621	\$102.00
	Matte Black (US19)	12	BV925-625	\$102.00
	Bright Chrome (US26)	12	BV925-623	\$102.00

925-7 BANCROFT

Shown in Satin Nickel
with Square Trim



Function	Finish	CTN Qty	Item No.	List Price
Passage	Oil Rubbed Bronze (US10B)	12	BV925-702	\$204.00
	Satin Nickel (US15)	12	BV925-701	\$204.00
	Matte Black (US19)	12	BV925-705	\$204.00
	Bright Chrome (US26)	12	BV925-703	\$204.00
Privacy	Oil Rubbed Bronze (US10B)	12	BV925-712	\$204.00
	Satin Nickel (US15)	12	BV925-711	\$204.00
	Matte Black (US19)	12	BV925-715	\$204.00
	Bright Chrome (US26)	12	BV925-713	\$204.00
Dummy	Oil Rubbed Bronze (US10B)	12	BV925-722	\$102.00
	Satin Nickel (US15)	12	BV925-721	\$102.00
	Matte Black (US19)	12	BV925-725	\$102.00
	Bright Chrome (US26)	12	BV925-723	\$102.00

925-BANCROFT CRYSTAL KNOB

925-G1 BANCROFT

Shown in Satin Nickel
with Rectangle Trim



Function	Finish	CTN Qty	Item No.	List Price
Passage	Oil Rubbed Bronze (US10B)	12	BV925-152	\$204.00
	Satin Nickel (US15)	12	BV925-151	\$204.00
	Matte Black (US19)	12	BV925-155	\$204.00
	Bright Chrome (US26)	12	BV925-153	\$204.00
Privacy	Oil Rubbed Bronze (US10B)	12	BV925-162	\$204.00
	Satin Nickel (US15)	12	BV925-161	\$204.00
	Matte Black (US19)	12	BV925-165	\$204.00
	Bright Chrome (US26)	12	BV925-163	\$204.00
Dummy	Oil Rubbed Bronze (US10B)	12	BV925-122	\$102.00
	Satin Nickel (US15)	12	BV925-121	\$102.00
	Matte Black (US19)	12	BV925-125	\$102.00
	Bright Chrome (US26)	12	BV925-123	\$102.00

925-G2 BANCROFT

Shown in Satin Nickel
with Arched Trim



Function	Finish	CTN Qty	Item No.	List Price
Passage	Oil Rubbed Bronze (US10B)	12	BV925-602	\$204.00
	Satin Nickel (US15)	12	BV925-251	\$204.00
	Matte Black (US19)	12	BV925-655	\$204.00
	Bright Chrome (US26)	12	BV925-253	\$204.00
Privacy	Oil Rubbed Bronze (US10B)	12	BV925-612	\$204.00
	Satin Nickel (US15)	12	BV925-252	\$204.00
	Matte Black (US19)	12	BV925-665	\$204.00
	Bright Chrome (US26)	12	BV925-263	\$204.00
Dummy	Oil Rubbed Bronze (US10B)	12	BV925-622	\$102.00
	Satin Nickel (US15)	12	BV925-626	\$102.00
	Matte Black (US19)	12	BV925-675	\$102.00
	Bright Chrome (US26)	12	BV925-273	\$102.00

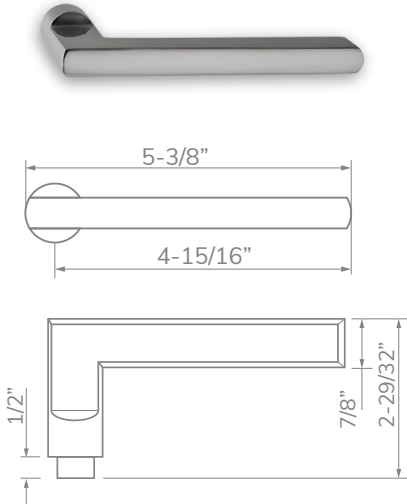
Bravura® LEVERS

Specifications:

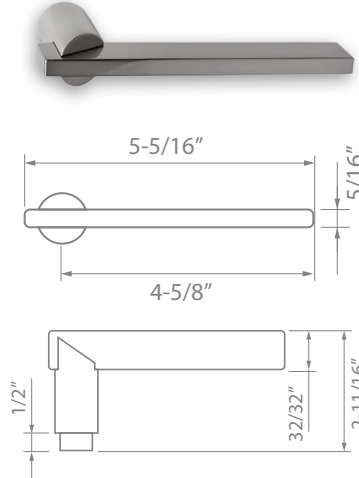
Door Prep	Cross bore: 2-1/8" Edge bore: 1" Latch Face: 1" x 2-1/4"	Latches	2-3/8" Standard and 2-3/4" Optional Faceplate: 1" x 2-1/4" round corner Bolt: 1/2" Solid Brass throw Drive-in or UL Available
Backset	2-3/8" Standard and 2-3/4" Optional	Strikes	Supplied with full lip round corner (9103) and square corner strikes (9102)
Door Thickness	1-3/8" ~ 2", 2-1/4" & 2-1/2" Extension Kits Available	Trim Size	2-5/8" diameter

LEVER DIMENSIONS

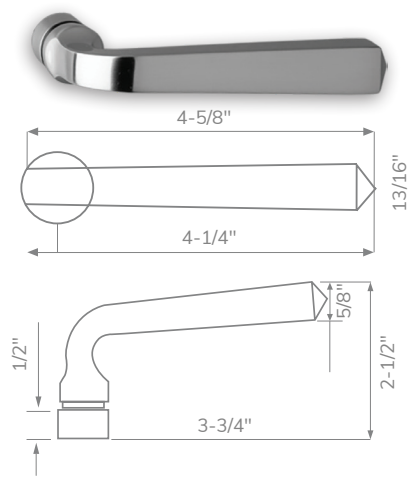
939 CHARLOTTE LEVER



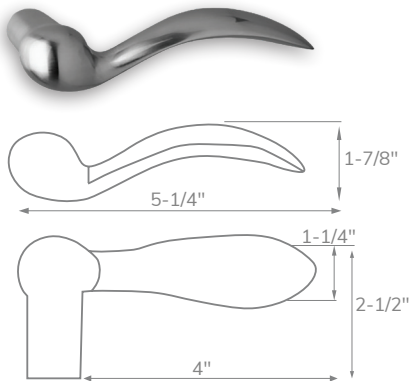
943 RALEIGH LEVER



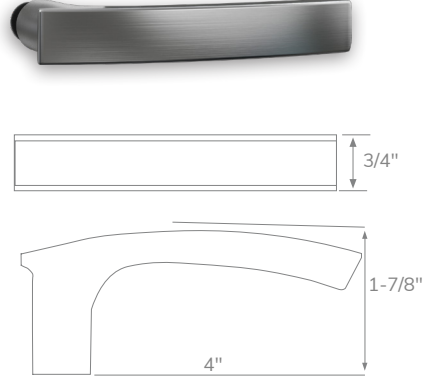
904S MEMPHIS LEVER



909 COLUMBUS LEVER



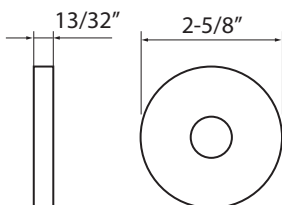
940 MIRAMAR LEVER



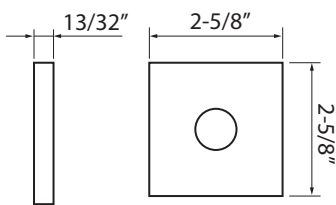
TRIM DIMENSIONS

Examples shown in Satin Nickel

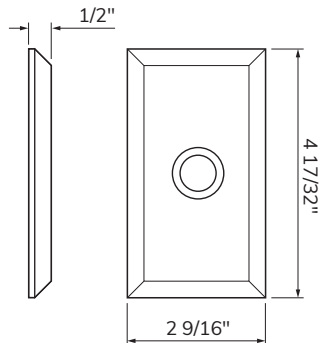
-6 ROUND



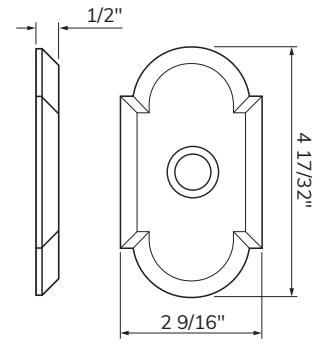
-7 SQUARE



-G1 RECTANGLE



-G2 ARCHED

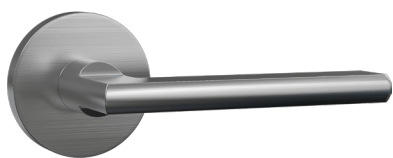


Bravura® LEVERS

939-CHARLOTTE LEVER

939-6 CHARLOTTE

Shown in Satin Nickel
with Round Trim



Function	Finish	CTN Qty	Item No.	List Price
Passage	Oil Rubbed Bronze (US10B)	12	BV939-102	\$141.00
	Satin Nickel (US15)	12	BV939-100	\$141.00
	Matte Black (US19)	12	BV939-142	\$141.00
	Bright Chrome (US26)	12	BV939-101	\$141.00
Privacy	Oil Rubbed Bronze (US10B)	12	BV939-112	\$141.00
	Satin Nickel (US15)	12	BV939-110	\$141.00
	Matte Black (US19)	12	BV939-143	\$141.00
	Bright Chrome (US26)	12	BV939-111	\$141.00
Dummy	Oil Rubbed Bronze (US10B)	12	BV939-122	\$70.00
	Satin Nickel (US15)	12	BV939-120	\$70.00
	Matte Black (US19)	12	BV939-144	\$70.00
	Bright Chrome (US26)	12	BV939-121	\$70.00

939-7 CHARLOTTE

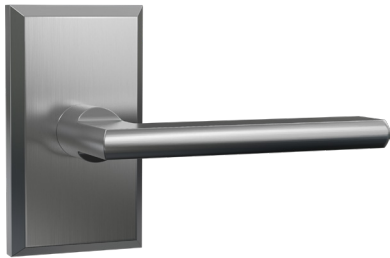
Shown in Satin Nickel
with Square Trim



Function	Finish	CTN Qty	Item No.	List Price
Passage	Oil Rubbed Bronze (US10B)	12	BV939-702	\$141.00
	Satin Nickel (US15)	12	BV939-701	\$141.00
	Matte Black (US19)	12	BV939-152	\$141.00
	Satin Brass (US4)	12	BV939-743	\$141.00
	Bright Chrome (US26)	12	BV939-703	\$141.00
Privacy	Oil Rubbed Bronze (US10B)	12	BV939-712	\$141.00
	Satin Nickel (US15)	12	BV939-711	\$141.00
	Matte Black (US19)	12	BV939-153	\$141.00
	Satin Brass (US4)	12	BV939-753	\$141.00
	Bright Chrome (US26)	12	BV939-713	\$141.00
Dummy	Oil Rubbed Bronze (US10B)	12	BV939-722	\$70.00
	Satin Nickel (US15)	12	BV939-721	\$70.00
	Matte Black (US19)	12	BV939-154	\$70.00
	Satin Brass (US4)	12	BV939-763	\$70.00
	Bright Chrome (US26)	12	BV939-723	\$70.00

939-G1 CHARLOTTE

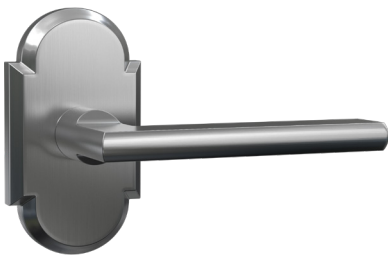
Shown in Satin Nickel
with Rectangle Trim



Function	Finish	CTN Qty	Item No.	List Price
Passage	Oil Rubbed Bronze (US10B)	12	BV939-104	\$141.00
	Satin Nickel (US15)	12	BV939-105	\$141.00
	Matte Black (US19)	12	BV939020	\$141.00
	Satin Brass (US4)	12	BV939017	\$141.00
	Bright Chrome (US26)	12	BV939103	\$141.00
Privacy	Oil Rubbed Bronze (US10B)	12	BV939-114	\$141.00
	Satin Nickel (US15)	12	BV939-115	\$141.00
	Matte Black (US19)	12	BV939025	\$141.00
	Satin Brass (US4)	12	BV939027	\$141.00
	Bright Chrome (US26)	12	BV939113	\$141.00
Dummy	Oil Rubbed Bronze (US10B)	12	BV939-124	\$70.00
	Satin Nickel (US15)	12	BV939-125	\$70.00
	Matte Black (US19)	12	BV939115	\$70.00
	Satin Brass (US4)	12	BV939117	\$70.00
	Bright Chrome (US26)	12	BV939123	\$70.00

939-G2 CHARLOTTE

Shown in Satin Nickel
with Arched Trim



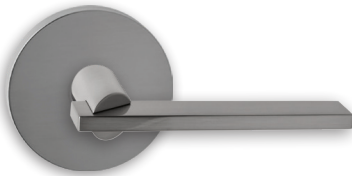
Function	Finish	CTN Qty	Item No.	List Price
Passage	Oil Rubbed Bronze (US10B)	12	BV939-207	\$141.00
	Satin Nickel (US15)	12	BV939-141	\$141.00
	Matte Black (US19)	12	BV939-205	\$141.00
	Bright Chrome (US26)	12	BV939-203	\$141.00
Privacy	Oil Rubbed Bronze (US10B)	12	BV939-217	\$141.00
	Satin Nickel (US15)	12	BV939-211	\$141.00
	Matte Black (US19)	12	BV939026	\$141.00
	Bright Chrome (US26)	12	BV939-213	\$141.00
Dummy	Oil Rubbed Bronze (US10B)	12	BV939-227	\$70.00
	Satin Nickel (US15)	12	BV939-191	\$70.00
	Matte Black (US19)	12	BV939116	\$70.00
	Bright Chrome (US26)	12	BV939-223	\$70.00

Bravura® LEVERS

943-RALEIGH LEVER

943-6 RALEIGH

Shown in Satin Nickel
with Round Trim



Function	Finish	CTN Qty	Item No.	List Price
Passage	Oil Rubbed Bronze (US10B)	12	BV943-302	\$141.00
	Satin Nickel (US15)	12	BV943-301	\$141.00
	Matte Black (US19)	12	BV943-305	\$141.00
	Bright Chrome (US26)	12	BV943-303	\$141.00
Privacy	Oil Rubbed Bronze (US10B)	12	BV943-312	\$141.00
	Satin Nickel (US15)	12	BV943-311	\$141.00
	Matte Black (US19)	12	BV943-315	\$141.00
	Bright Chrome (US26)	12	BV943-313	\$141.00
Dummy	Oil Rubbed Bronze (US10B)	12	BV943-322	\$70.00
	Satin Nickel (US15)	12	BV943-321	\$70.00
	Matte Black (US19)	12	BV943-325	\$70.00
	Bright Chrome (US26)	12	BV943-323	\$70.00

943-7 RALEIGH

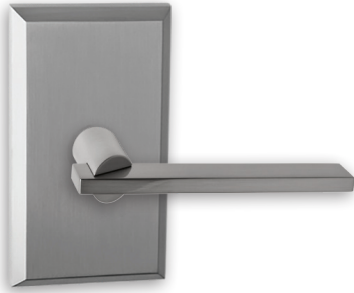
Shown in Satin Nickel
with Square Trim



Function	Finish	CTN Qty	Item No.	List Price
Passage	Oil Rubbed Bronze (US10B)	12	BV943-702	\$141.00
	Satin Nickel (US15)	12	BV943-701	\$141.00
	Matte Black (US19)	12	BV943-705	\$141.00
	Bright Chrome (US26)	12	BV943-703	\$141.00
Privacy	Oil Rubbed Bronze (US10B)	12	BV943-712	\$141.00
	Satin Nickel (US15)	12	BV943-711	\$141.00
	Matte Black (US19)	12	BV943-706	\$141.00
	Bright Chrome (US26)	12	BV943-713	\$141.00
Dummy	Oil Rubbed Bronze (US10B)	12	BV943-722	\$70.00
	Satin Nickel (US15)	12	BV943-721	\$70.00
	Matte Black (US19)	12	BV943-707	\$70.00
	Bright Chrome (US26)	12	BV943-723	\$70.00

943-G1 RALEIGH

Shown in Satin Nickel
with Rectangle Trim



Function	Finish	CTN Qty	Item No.	List Price
Passage	Oil Rubbed Bronze (US10B)	12	BV943-107	\$141.00
	Satin Nickel (US15)	12	BV943-101	\$141.00
	Matte Black (US19)	12	BV943-104	\$141.00
	Bright Chrome (US26)	12	BV943-106	\$141.00
Privacy	Oil Rubbed Bronze (US10B)	12	BV943-117	\$141.00
	Satin Nickel (US15)	12	BV943-111	\$141.00
	Bright Chrome (US26)	12	BV943-116	\$141.00
	Matte Black (US19)	12	BV943-114	\$141.00
Dummy	Oil Rubbed Bronze (US10B)	12	BV943-127	\$70.00
	Satin Nickel (US15)	12	BV943-121	\$70.00
	Matte Black (US19)	12	BV943-124	\$70.00
	Bright Chrome (US26)	12	BV943-126	\$70.00

943-G2 RALEIGH

Shown in Satin Nickel
with Arched Trim

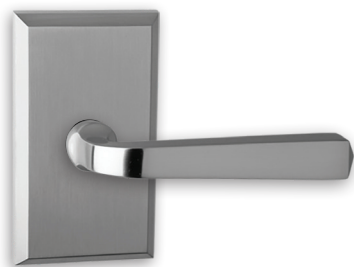


Function	Finish	CTN Qty	Item No.	List Price
Passage	Oil Rubbed Bronze (US10B)	12	BV943-207	\$141.00
	Satin Nickel (US15)	12	BV943-201	\$141.00
	Matte Black (US19)	12	BV943-204	\$141.00
	Bright Chrome (US26)	12	BV943-203	\$141.00
Privacy	Oil Rubbed Bronze (US10B)	12	BV943-217	\$141.00
	Satin Nickel (US15)	12	BV943-211	\$141.00
	Matte Black (US19)	12	BV943-214	\$141.00
	Bright Chrome (US26)	12	BV943-213	\$141.00
Dummy	Oil Rubbed Bronze (US10B)	12	BV943-227	\$70.00
	Satin Nickel (US15)	12	BV943-221	\$70.00
	Matte Black (US19)	12	BV943-224	\$70.00
	Bright Chrome (US26)	12	BV943-223	\$70.00

904S-MEMPHIS LEVER

904S-G1 MEMPHIS

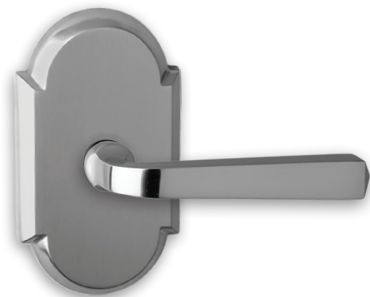
Shown in Satin Nickel
with Rectangle Trim



Function	Finish	CTN Qty	Item No.	List Price
Passage	Oil Rubbed Bronze (US10B)	12	BV904105	\$178.00
	Satin Nickel (US15)	12	BV904104	\$178.00
	Matte Black (US19)	12	BV904109	\$178.00
Privacy	Oil Rubbed Bronze (US10B)	12	BV904115	\$178.00
	Satin Nickel (US15)	12	BV904114	\$178.00
	Matte Black (US19)	12	BV904119	\$178.00
Dummy	Oil Rubbed Bronze (US10B)	12	BV904125	\$89.00
	Satin Nickel (US15)	12	BV904124	\$89.00
	Matte Black (US19)	12	BV904129	\$89.00

904S-G2 MEMPHIS

Shown in Satin Nickel
with Arched Trim

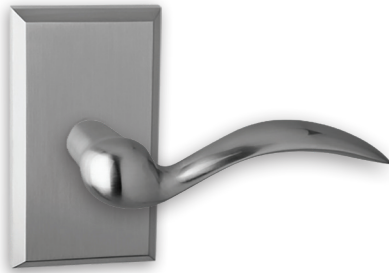


Function	Finish	CTN Qty	Item No.	List Price
Passage	Oil Rubbed Bronze (US10B)	12	BV904145	\$178.00
	Satin Nickel (US15)	12	BV904144	\$178.00
	Matte Black (US19)	12	BV904149	\$178.00
Privacy	Oil Rubbed Bronze (US10B)	12	BV904155	\$178.00
	Satin Nickel (US15)	12	BV904154	\$178.00
	Matte Black (US19)	12	BV904159	\$178.00
Dummy	Oil Rubbed Bronze (US10B)	12	BV904165	\$89.00
	Satin Nickel (US15)	12	BV904164	\$89.00
	Matte Black (US19)	12	BV904169	\$89.00

909-COLUMBUS LEVER

909-G1 COLUMBUS

Shown in Satin Nickel
with Rectangle Trim



Function	Finish	CTN Qty	Item No.	List Price
Passage	Oil Rubbed Bronze (US10B)	12	BV909002 (LH) BV909003 (RH)	\$204.00
	Satin Nickel (US15)	12	BV909000 (LH) BV909001 (RH)	\$204.00
	Matte Black (US19)	12	BV909010 (LH) BV909011 (RH)	\$204.00
Privacy	Oil Rubbed Bronze (US10B)	12	BV909016 (LH) BV909017 (RH)	\$204.00
	Satin Nickel (US15)	12	BV909014 (LH) BV909015 (RH)	\$204.00
	Matte Black (US19)	12	BV909018 (LH) BV909019 (RH)	\$204.00
Dummy	Oil Rubbed Bronze (US10B)	12	BV909030 (LH) BV909031 (RH)	\$102.00
	Satin Nickel (US15)	12	BV909028 (LH) BV909029 (RH)	\$102.00
	Matte Black (US19)	12	BV909038 (LH) BV909039 (RH)	\$102.00

909-G2 COLUMBUS

Shown in Satin Nickel
with Arched Trim



Function	Finish	CTN Qty	Item No.	List Price
Passage	Oil Rubbed Bronze (US10B)	12	BV909058 (LH) BV909059 (RH)	\$204.00
	Satin Nickel (US15)	12	BV909056 (LH) BV909057 (RH)	\$204.00
	Matte Black (US19)	12	BV909052 (LH) BV909053 (RH)	\$204.00
Privacy	Oil Rubbed Bronze (US10B)	12	BV909072 (LH) BV909073 (RH)	\$204.00
	Satin Nickel (US15)	12	BV909070 (LH) BV909071 (RH)	\$204.00
	Matte Black (US19)	12	BV909074 (LH) BV909075 (RH)	\$204.00
Dummy	Oil Rubbed Bronze (US10B)	12	BV909086 (LH) BV909087 (RH)	\$102.00
	Satin Nickel (US15)	12	BV909084 (LH) BV909085 (RH)	\$102.00
	Matte Black (US19)	12	BV909092 (LH) BV909093 (RH)	\$102.00

940-MIRAMAR LEVER

940-6 MIRAMAR

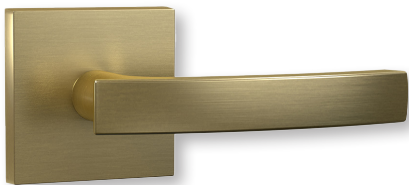
Shown in Satin Brass
with Round Trim



Function	Finish	CTN Qty	Item No.	List Price
Passage	Satin Brass (US4)	12	BV940-106	\$178.00
Privacy	Satin Brass (US4)	12	BV940-316	\$178.00
Dummy	Satin Brass (US4)	12	BV940-326	\$89.00

940-7 MIRAMAR

Shown in Satin Brass
with Rectangle Trim



Function	Finish	CTN Qty	Item No.	List Price
Passage	Satin Brass (US4)	12	BV940-706	\$178.00
Privacy	Satin Brass (US4)	12	BV940-716	\$178.00
Dummy	Satin Brass (US4)	12	BV940-726	\$89.00

Specifications:

Door Prep	Deadbolt cross bore: 2-1/8" Cross bore: 2-1/8" Edge bore: 1" Latch Face: 1" x 2-1/4"	Latches	2-3/8" Standard and 2-3/4" Optional Faceplate: 1" x 2-1/4" round corner Bolt: 1/2" Solid Brass throw
Backset	2-3/8" Standard and 2-3/4" Optional	Strikes	Full lip round corner (9103) and square
Door Thickness	1-3/8" ~ 2", 2-1/4" Extension Kits Available		

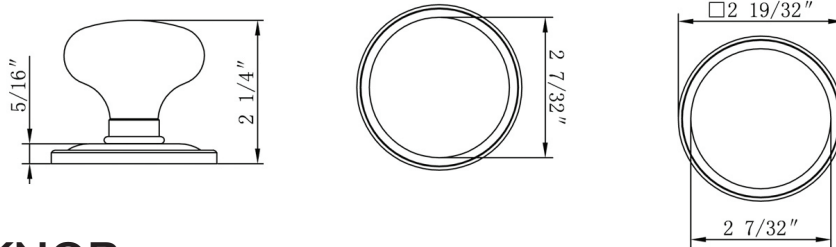
ELITE SERIES

336B LYNCHBURG KNOB

Shown in Satin Nickel
with Round Trim



Function	Finish	CTN Qty	Item No.	List Price
Passage	Oil Rubbed Bronze (US10B)	12	BV336002	\$94.00
	Satin Nickel (US15)	12	BV336001	\$94.00
Privacy	Oil Rubbed Bronze (US10B)	12	BV336012	\$94.00
	Satin Nickel (US15)	12	BV336011	\$94.00
Dummy	Oil Rubbed Bronze (US10B)	12	BV336022	\$47.00
	Satin Nickel (US15)	12	BV336021	\$47.00

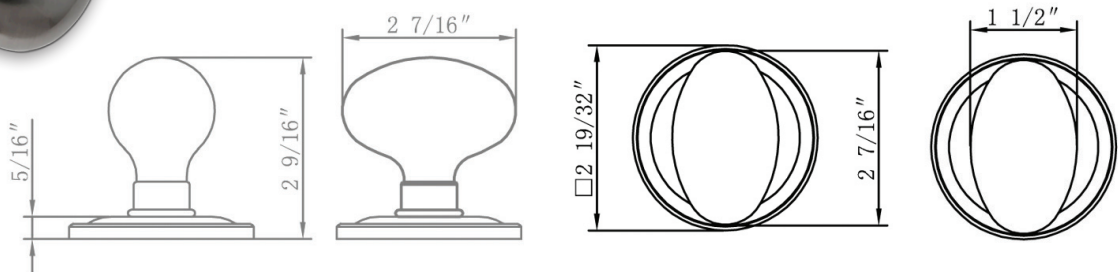


335B ALBANY KNOB

Shown in Satin Nickel
with Round Trim



Function	Finish	CTN Qty	Item No.	List Price
Passage	Oil Rubbed Bronze (US10B)	12	BV335002	\$94.00
	Satin Nickel (US15)	12	BV335001	\$94.00
Privacy	Oil Rubbed Bronze (US10B)	12	BV335012	\$94.00
	Satin Nickel (US15)	12	BV335011	\$94.00
Dummy	Oil Rubbed Bronze (US10B)	12	BV335022	\$47.00
	Satin Nickel (US15)	12	BV335021	\$47.00



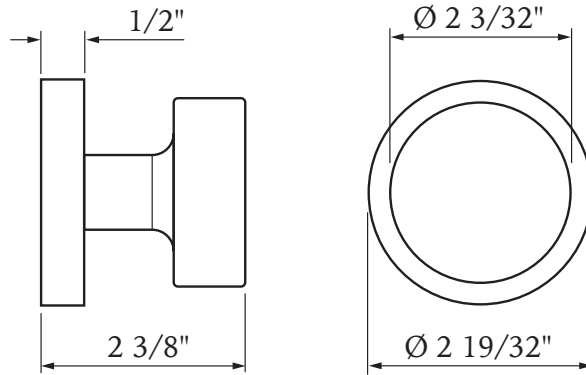
Bravura® KNOBS & LEVERS

347RC NORFOLK KNOB

Shown in Satin Nickel
with Round Trim



Function	Finish	CTN Qty	Item No.	List Price
Passage	Oil Rubbed Bronze (US10B)	12	BV347602	\$120.00
	Satin Nickel (US15)	12	BV347601	\$120.00
Privacy	Oil Rubbed Bronze (US10B)	12	BV347612	\$120.00
	Satin Nickel (US15)	12	BV347611	\$120.00
Dummy	Oil Rubbed Bronze (US10B)	12	BV347622	\$60.00
	Satin Nickel (US15)	12	BV347621	\$60.00

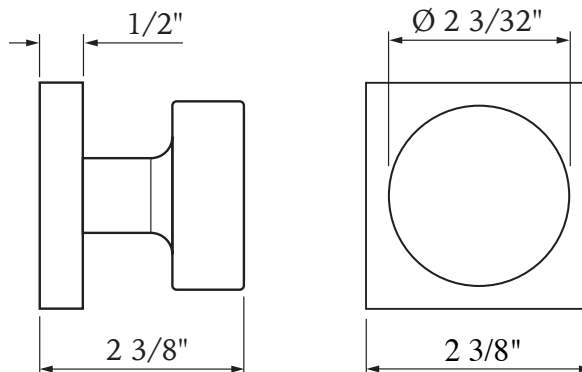


347SC BILOXI KNOB

Shown in Satin Nickel
with Square Trim

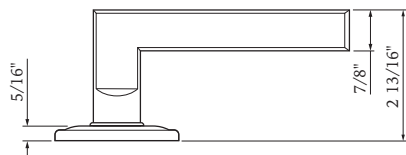


Function	Finish	CTN Qty	Item No.	List Price
Passage	Oil Rubbed Bronze (US10B)	12	BV347702	\$120.00
	Satin Nickel (US15)	12	BV347701	\$120.00
Privacy	Oil Rubbed Bronze (US10B)	12	BV347712	\$120.00
	Satin Nickel (US15)	12	BV347711	\$120.00
Dummy	Oil Rubbed Bronze (US10B)	12	BV347722	\$60.00
	Satin Nickel (US15)	12	BV347721	\$60.00

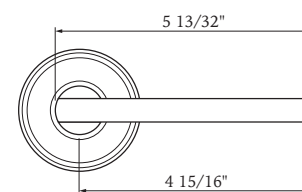
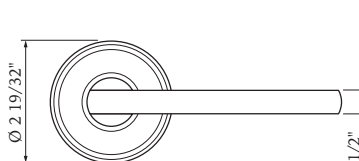


333B ATLANTA LEVER

Shown in Satin Nickel
with Round Trim

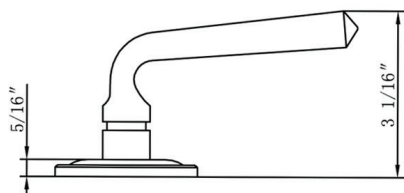


Function	Finish	CTN Qty	Item No.	List Price
Passage	Oil Rubbed Bronze (US10B)	12	BV333002	\$94.00
	Satin Nickel (US15)	12	BV333001	\$94.00
	Matte Black (US19)	12	BV333004	\$94.00
Privacy	Oil Rubbed Bronze (US10B)	12	BV333012	\$94.00
	Satin Nickel (US15)	12	BV333011	\$94.00
	Matte Black (US19)	12	BV333014	\$94.00
Dummy	Oil Rubbed Bronze (US10B)	12	BV333022	\$47.00
	Satin Nickel (US15)	12	BV333021	\$47.00
	Matte Black (US19)	12	BV333024	\$47.00

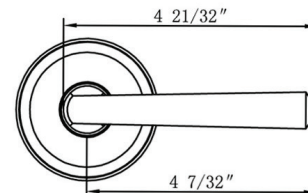
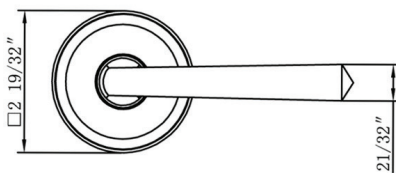


334SB HELEN LEVER

Shown in Satin Nickel
with Round Trim



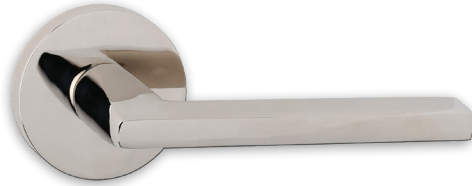
Function	Finish	CTN Qty	Item No.	List Price
Passage	Oil Rubbed Bronze (US10B)	12	BV334002	\$94.00
	Satin Nickel (US15)	12	BV334001	\$94.00
	Matte Black (US19)	12	BV334004	\$94.00
Privacy	Oil Rubbed Bronze (US10B)	12	BV334012	\$94.00
	Satin Nickel (US15)	12	BV334011	\$94.00
	Matte Black (US19)	12	BV334014	\$94.00
Dummy	Oil Rubbed Bronze (US10B)	12	BV334022	\$47.00
	Satin Nickel (US15)	12	BV334021	\$47.00
	Matte Black (US19)	12	BV334024	\$47.00



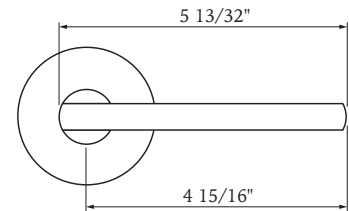
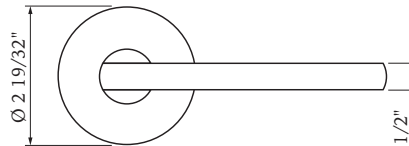
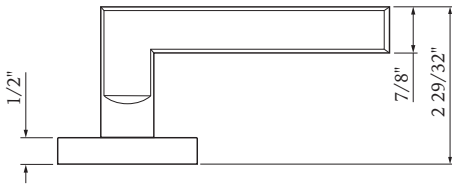
Bravura® KNOBS & LEVERS

333RC ORLANDO LEVER

Shown in Satin Nickel
with Round Trim

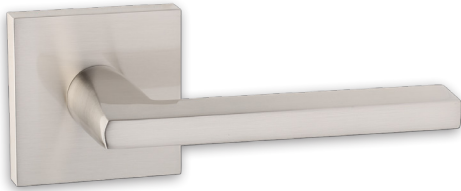


Function	Finish	CTN Qty	Item No.	List Price
Passage	Oil Rubbed Bronze (US10B)	12	BV333602	\$94.00
	Satin Nickel (US15)	12	BV333601	\$94.00
	Matte Black (US19)	12	BV333604	\$94.00
Privacy	Oil Rubbed Bronze (US10B)	12	BV333612	\$94.00
	Satin Nickel (US15)	12	BV333611	\$94.00
	Matte Black (US19)	12	BV333614	\$94.00
Dummy	Oil Rubbed Bronze (US10B)	12	BV333622	\$47.00
	Satin Nickel (US15)	12	BV333621	\$47.00
	Matte Black (US19)	12	BV333624	\$47.00

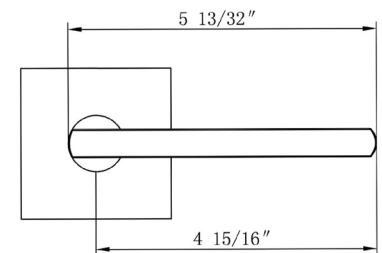
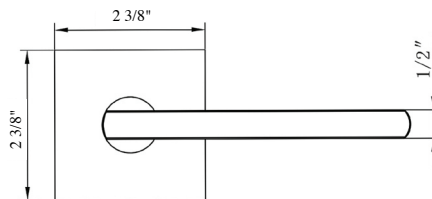
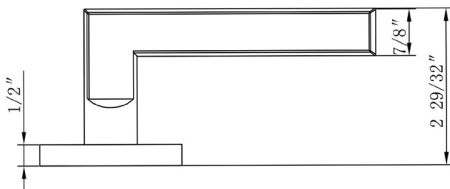


333SC TAMPA LEVER

Shown in Satin Nickel
with Square Trim

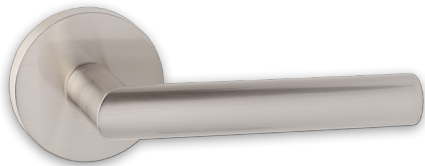


Function	Finish	CTN Qty	Item No.	List Price
Passage	Oil Rubbed Bronze (US10B)	12	BV333702	\$94.00
	Satin Nickel (US15)	12	BV333701	\$94.00
	Matte Black (US19)	12	BV333704	\$94.00
Privacy	Oil Rubbed Bronze (US10B)	12	BV333712	\$94.00
	Satin Nickel (US15)	12	BV333711	\$94.00
	Matte Black (US19)	12	BV333714	\$94.00
Dummy	Oil Rubbed Bronze (US10B)	12	BV333722	\$47.00
	Satin Nickel (US15)	12	BV333721	\$47.00
	Matte Black (US19)	12	BV333724	\$47.00

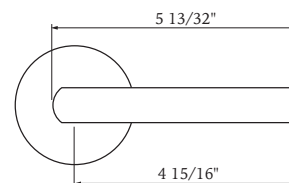
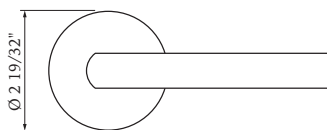
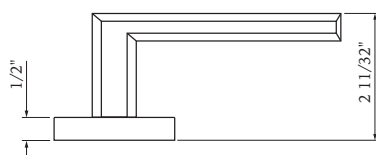


338RC CARY LEVER

Shown in Satin Nickel
with Round Trim

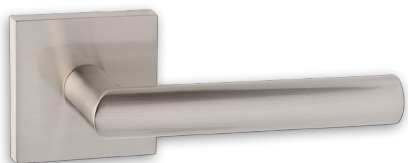


Function	Finish	CTN Qty	Item No.	List Price
Passage	Oil Rubbed Bronze (US10B)	12	BV338602	\$94.00
	Satin Nickel (US15)	12	BV338601	\$94.00
Privacy	Oil Rubbed Bronze (US10B)	12	BV338612	\$94.00
	Satin Nickel (US15)	12	BV338611	\$94.00
Dummy	Oil Rubbed Bronze (US10B)	12	BV338622	\$47.00
	Satin Nickel (US15)	12	BV338621	\$47.00

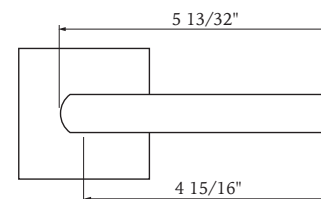
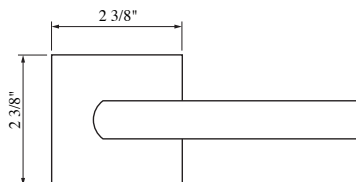
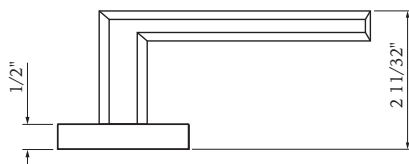


338SC FAYETTEVILLE LEVER

Shown in Satin Nickel
with Square Trim



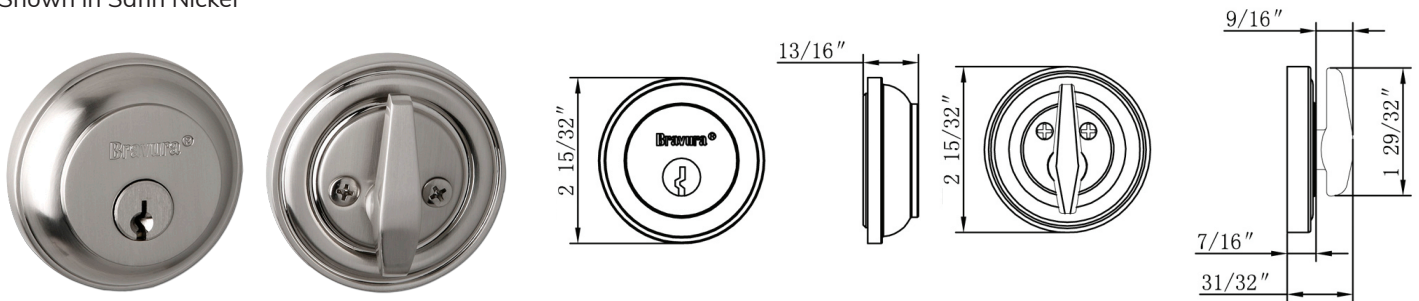
Function	Finish	CTN Qty	Item No.	List Price
Passage	Oil Rubbed Bronze (US10B)	12	BV333002	\$94.00
	Satin Nickel (US15)	12	BV333001	\$94.00
	Matte Black (US19)	12	BV333004	\$94.00
Privacy	Oil Rubbed Bronze (US10B)	12	BV333012	\$94.00
	Satin Nickel (US15)	12	BV333011	\$94.00
	Matte Black (US19)	12	BV333014	\$94.00
Dummy	Oil Rubbed Bronze (US10B)	12	BV333022	\$47.00
	Satin Nickel (US15)	12	BV333021	\$47.00
	Matte Black (US19)	12	BV333024	\$47.00



ELITE SERIES DEADBOLTS

310B ELITE DEADBOLT

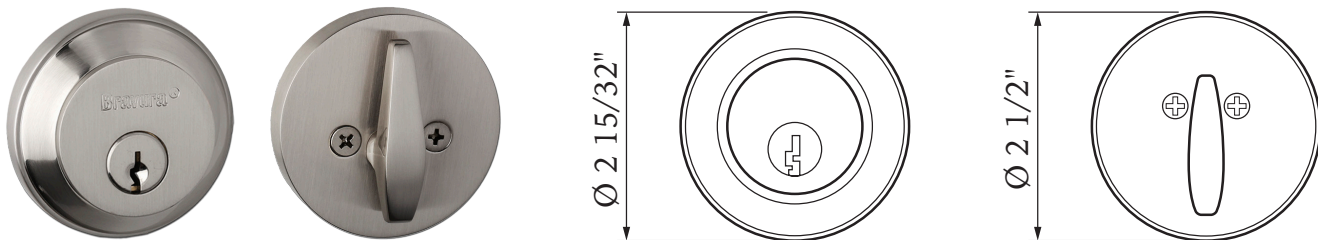
Shown in Satin Nickel



Cylinder	Finish	Item No.	List Price
Single Deadbolt	Satin Nickel (US15)	BV310001	\$94.00
Single Deadbolt	Oil Rubbed Bronze (US10B)	BV310002	\$94.00
Single Deadbolt	Matte Black (US19)	BV310004	\$94.00

310RC ELITE DEADBOLT

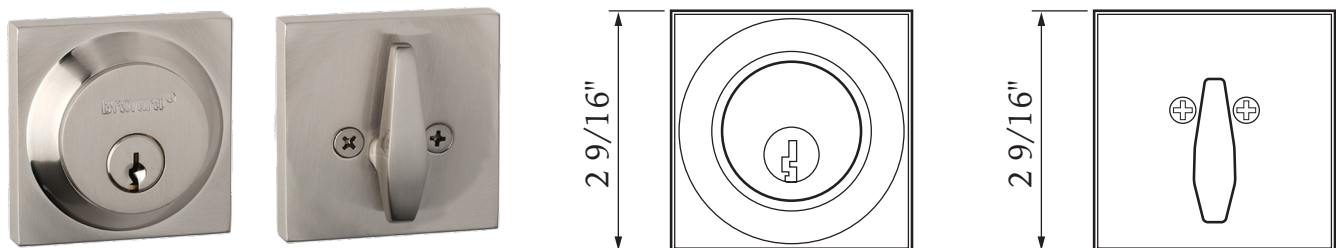
Shown in Satin Nickel



Cylinder	Finish	Item No.	List Price
Single Deadbolt	Satin Nickel (US15)	BV310601	\$94.00
Single Deadbolt	Oil Rubbed Bronze (US10B)	BV310602	\$94.00
Single Deadbolt	Matte Black (US19)	BV310604	\$94.00

310SC ELITE DEADBOLT

Shown in Satin Nickel



Cylinder	Finish	Item No.	List Price
Single Deadbolt	Satin Nickel (US15)	BV310701	\$94.00
Single Deadbolt	Oil Rubbed Bronze (US10B)	BV310702	\$94.00
Single Deadbolt	Matte Black (US19)	BV310704	\$94.00

ELECTRONIC LOCKS

Smart Lock Deadbolt

Nexus

Electronic Deadbolts

KP400

KP300

LP250



KP300 in
Satin Nickel



DELANEY® NEXUS

SMART LOCK

WITH BLUETOOTH AND WIF-I TECHNOLOGY

EXTERIOR



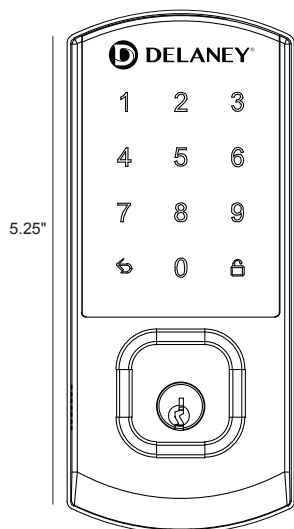
INTERIOR



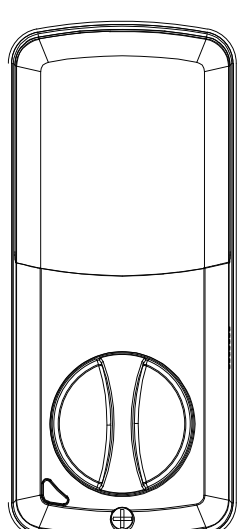
WI-FI GATEWAY

2.5"

2.625"





5.25"



6"

Introducing the Nexus Smart Lock, with Bluetooth and Wi-Fi Technology that works with your smartphone. Download the app and create user codes, view lock history, and customize schedules all at your fingertips.

Specifications

Door Prep	Core Bore: 2-1/8" Edge Bore: 1" Latch Face: 1" x 2-1/4"
Backset	Adjustable to 2-3/8" and 2-3/4"
Door Thickness	Fits 1-2/8" ~ 1-3/4" Thick Doors
Cylinder	SC1 5-Pin C Keyway, Packed KD
Faceplate	1" x 2-1/4" Round Corner
Strike	1" x 2-1/4" (9113)
Batteries Required	4 AA Batteries Included
Battery Life	Estimated 1 Year
Wi-Fi Gateway	Wi-Fi Gateway Included. USB- Type A Port Required.
Codes	100 User Code Capacity
Warranty	2 Year Manufacturing and Electronic Warranty Including Finish
Mobile App	Download the Free Delaney Home App  

DOWNLOAD THE DELANEY HOME APP

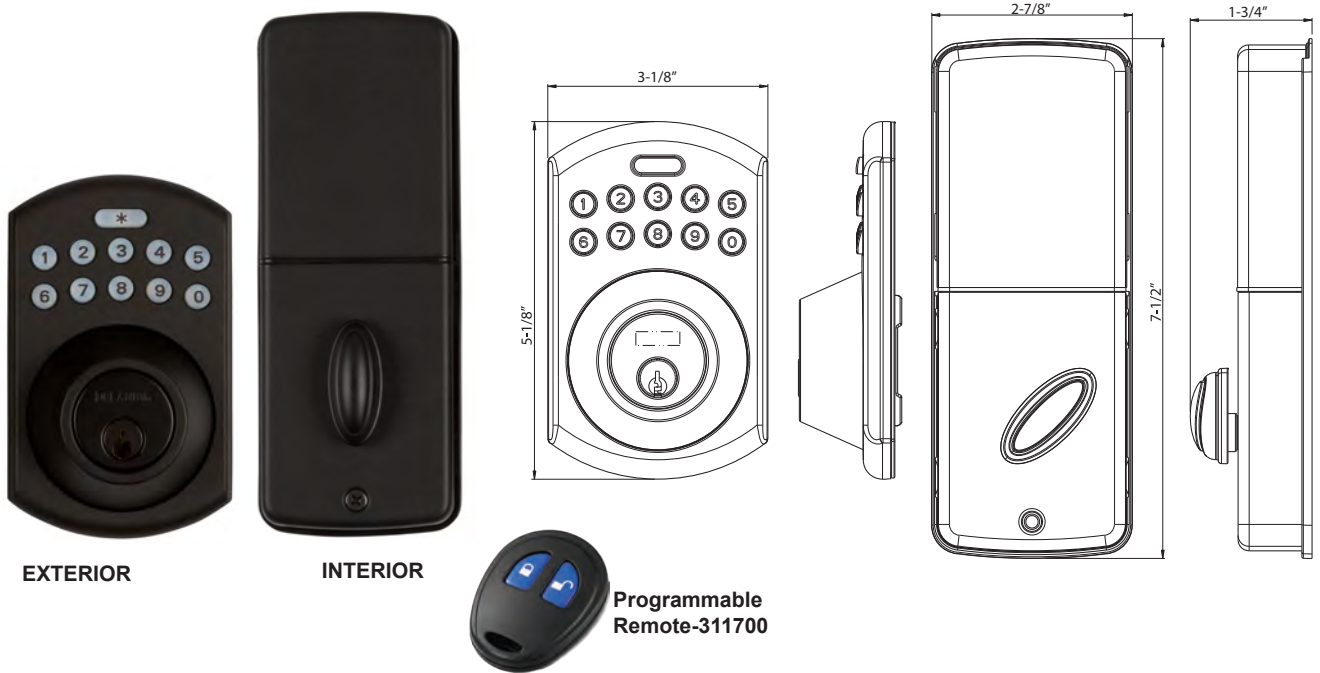


Model	Function	WT/CTN	CTN QTY	US19 Matte Black	
NEXUS-19	Smart Lock Deadbolt	25 lb	6 Pcs	Item No.	Nexus-19
				List Price	\$280.00

Door Prep	Cross bore: 2-1/8" Edge bore: 1" Latch face: 1" x 2-1/4"	Dimensions	Interior Unit: 7-1/2" x 2-7/8" x 1-3/4" (H x W x D) Exterior Unit: 5-1/8" x 3-1/8"
Backset	Fits 2-3/8" and 2-3/4"	Power	6V - 4 AA Batteries, Not Included. (Estimated battery life, 1-year)
Strike	9113 & 9117	Door Thickness	1-3/8" ~ 2" door
Throwbolt	1" for maximum security	Passcode	4 to 10 digits, Maximum of 6 Passcodes supported
Cylinder	KW1 5-pin cylinder Standard . SC1 optional Packed KD	No. of Remotes Supported	Includes 1 Remote Maximum 5 supported per unit

KP400 GRADE 2 ELECTRONIC DEADBOLT

Shown in Matte Black



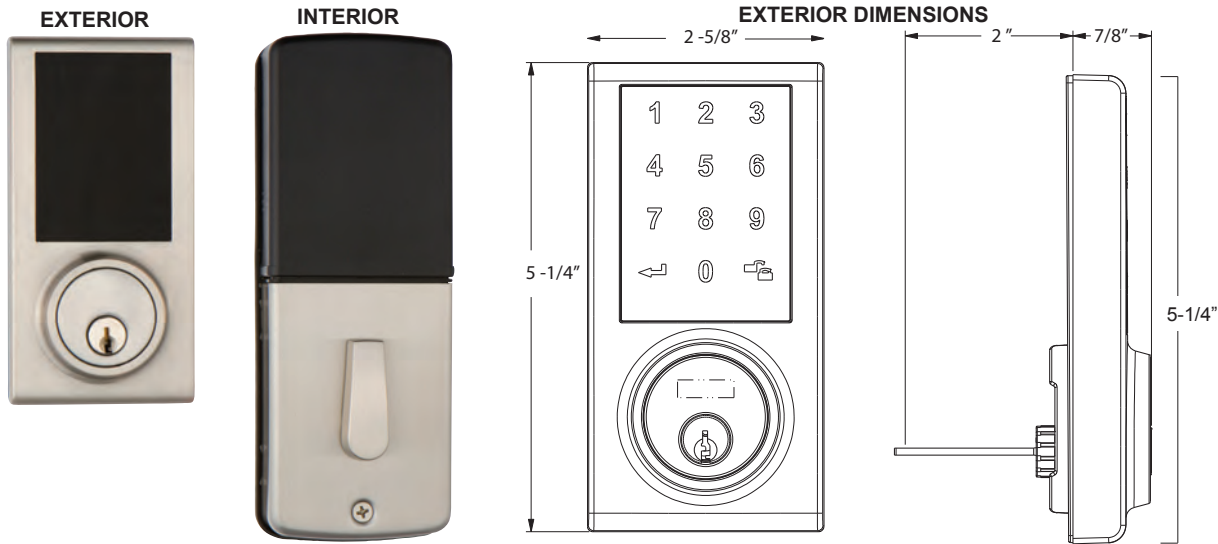
Model	Function	WT/CTN	CTN QTY	US15 Satin Nickel		US19 Matte Black	
				Item No.	List Price	Item No.	List Price
KP400	Electronic Deadbolt	20 lb	6 Pcs	311904	\$221.00	311909	\$221.00

DELANEY® ELECTRONIC LOCKS

Door Prep	Cross bore: 2-1/8" Edge bore: 1" Latch face: 1" x 2-1/4"	Dimensions	Exterior Unit: 5-1/4" x 2-5/8" x 7/8" (H x W x D) Interior Unit: 7-1/2" x 2-7/8" x 1-1/16"
		Door Thickness	1-3/8" ~ 2" door
Backset	Fits 2-3/8" and 2-3/4", Adjustable	Power	6V (4 AA batteries required. Estimated battery life, 1-year)
Strike	9118R & 9117	Entry Methods	Touchscreen & Conventional Key
Throwbolt	1" for maximum security	Passcode	Maximum of 30 User Passcodes & 1 Master code supported
Cylinder	KW1 5-pin standard. SC1 5-pin optional. Packed KD.		

KP300 ELECTRONIC TOUCHPAD DEADBOLT

Shown in Satin Nickel



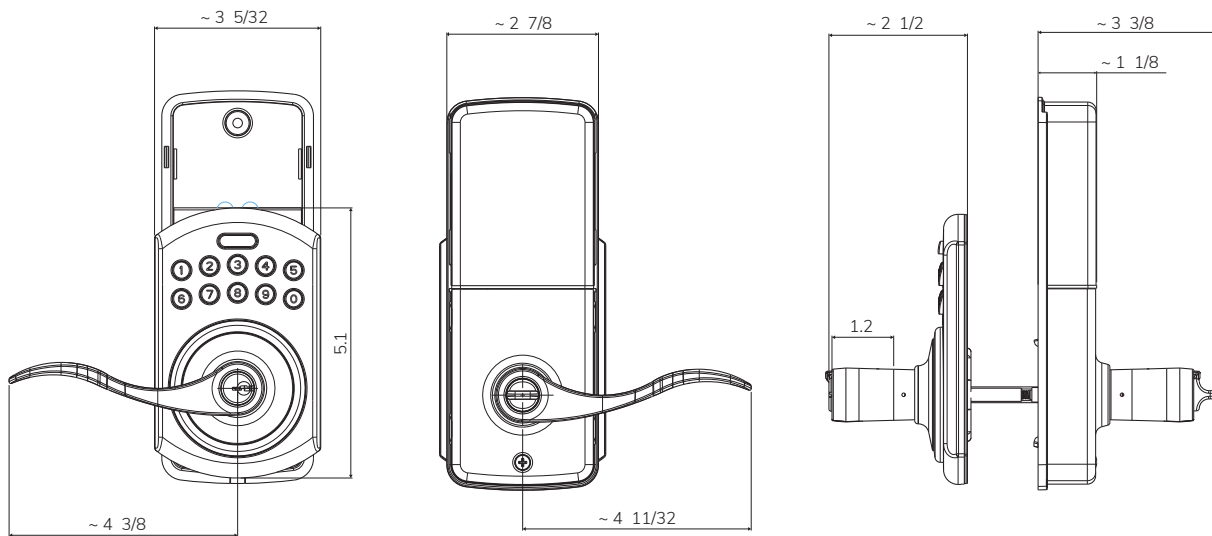
Model	Function	WT/ CTN	CTN QTY	Finish Options				
				US15 Satin Nickel	US26 Bright Chrome	US19 Matte Black	US12P Tuscany Bronze	
KP300	Electronic Deadbolt	19 lb	12 Pcs	Item No.	301671	301676	301679	301677
				List Price	\$221.00	\$221.00	\$221.00	\$221.00

DELANEY® ELECTRONIC LOCKS

Door Prep	Cross bore: 2-1/8" Edge bore: 1" Latch face: 1" x 2-1/4"	Dimensions	Interior Unit: 7-1/2" x 2-7/8" x 1-3/4" (H x W x D) Exterior Unit: 5-1/8" x 3-1/8"
Backset	Fits 2-3/8" and 2-3/4"	Power	6V - 4 AA Batteries, Not Included. (Estimated battery life, 1-year)
Strike	9103	Door Thickness	1-3/8" ~ 2" door
Throwbolt	1/2"	Passcode	4 to ten digits, Maximum of 6 Passcodes supported
Cylinder	KW1 5-pin cylinder Standard . SC1 optional Packed KD	Feature	Panic Proof Reversible

LP250 ELECTRONIC KEYPAD LEVERLOCK

Shown in Tuscany Bronze



Model	Function	WT/ CTN	CTN QTY	US12P	US15	US19	
				Tuscany Bronze	Satin Nickel	Matte Black	
LP250	Electronic Deadbolt w/Logan Lever	20 lb	6 Pcs	Item No.	311805	311804	311809
				List Price	\$280.00	\$265.00	\$280.00

BARN DOOR HARDWARE

5000 Series
in Matte Black

Flat Track Kits

1000 Series

3000 Series

5000 Series

Handles and Pulls

Accessories

Add a distinctive, stylish upgrade to your home while optimizing space with barn doors. Our Barn door hardware is available in a variety of styles and quality finishes with smooth, quiet wheels and durability to hold up to 330 lb.

DELANEY® FLAT TRACK

Each Flat Track Series Includes:

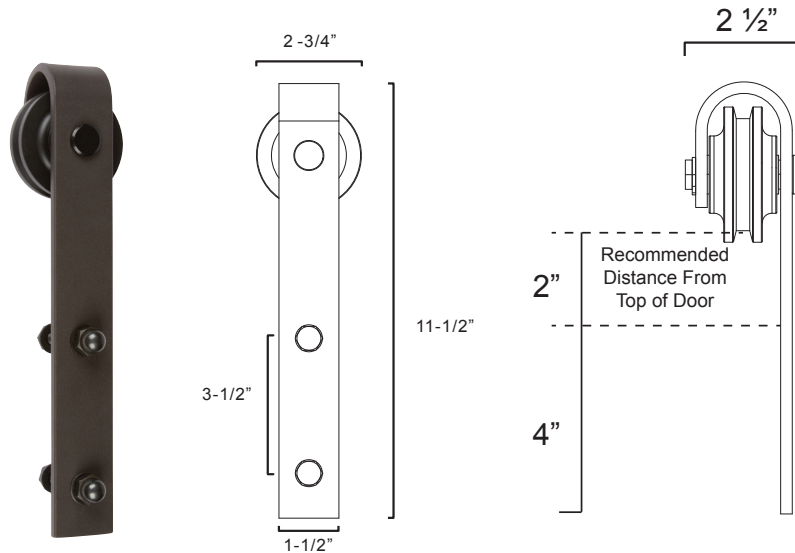
- Two Hangers with Quiet Bearing Wheels
- Steel Track (Pre-drilled)
- Standoffs and Lag Bolts (6'- 5ct bolts and 8'- 5ct bolts)
- Two Door Stops
- One Door T-Guide
- Anti-Jump Discs
- Bolts, Nuts, and Washers



Weight Limit:
330 lb per set

1000 SERIES Standard

Shown in Matte Black

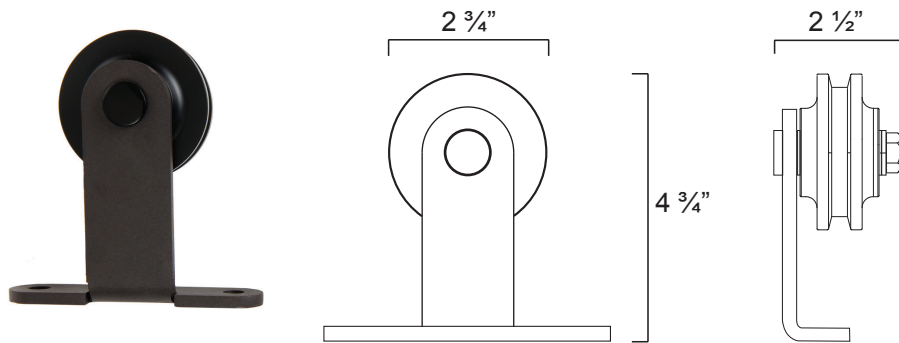


Description	WT/ CTN	QTY					
			US10B Oil Rubbed Bronze	US15 Satin Nickel	US19 Matte Black	US32D Satin Stainless Steel	
1000 Series 5ft Barn Door Hardware (Standard)	16 lb	1	Item No.	—	—	BD1054	—
			List Price			\$182.00	
1000 Series 6ft Barn Door Hardware (Standard)	16 lb	1	Item No.	BD1069	BD1062	BD1064	BD1061
			List Price	\$299.00	\$299.00	\$195.00	\$390.00
1000 Series 6ft, 5 inch Barn Door Hardware (Standard)	16 lb	1	Item No.	—	—	BD1664	—
			List Price			\$238.00	
1000 Series 8ft, Barn Door Hardware (Standard)	18 lb	1	Item No.	BD1089	BD1082	BD1084	BD1081
			List Price	\$406.00	\$406.00	\$280.00	\$481.00

DELANEY® FLAT TRACK

3000 SERIES Top Mount

Shown in Matte Black

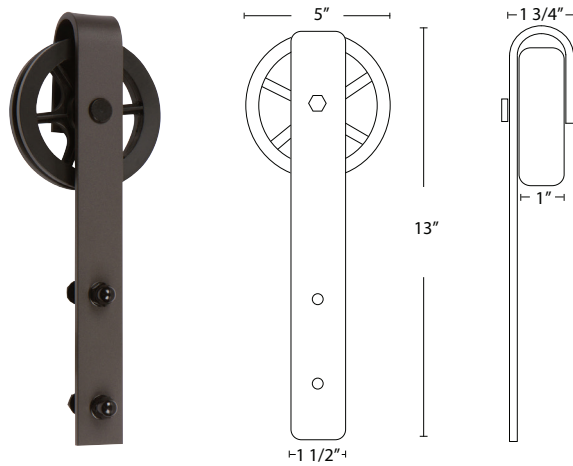


Weight Limit:
260 lb per set

Description	WT/ CTN	QTY	US15 Satin Nickel		US19 Matte Black	
			Item No.	List Price	Item No.	List Price
3000 Series 6ft Barn Door Hardware (Low Profile Top Mount Standard)	15 lb	1	Item No.	BD3062	Item No.	BD3064
			List Price	\$333.19	List Price	\$290.05
3000 Series 8ft Barn Door Hardware (Low Profile Top Mount Standard)	15 lb	1	Item No.	BD3082	Item No.	BD3084
			List Price	\$404.30	List Price	\$322.36

5000 SERIES Wagon Wheel

Shown in Matte Black

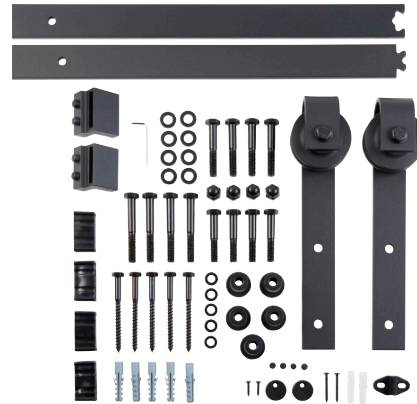


Description	WT/CTN	QTY	US19 Matte Black		Brushed Steel	
			Item No.	List Price	Item No.	List Price
5000 Series 6ft Barn Door Hardware (Wagon Wheel Standard)	18 lb	1	Item No.	BD5064	Item No.	BD5061
			List Price	\$333.98	List Price	\$441.32
5000 Series 8ft Barn Door Hardware (Wagon Wheel Standard)	18 lb	1	Item No.	BD5084	Item No.	—
			List Price	\$363.26	List Price	—

DELANEY® SPLIT TRACK

Each Split Track Series Includes:

- Two Hangers with Quiet Bearing Wheels
- Two Steel Tracks (Pre-drilled)
- Standoffs and Lag Bolts (6'- 5ct bolts and 8'- 5ct bolts)
- Two Door Stops
- One Door T-Guide
- Anti-Jump Discs
- Bolts, Nuts, and Washers

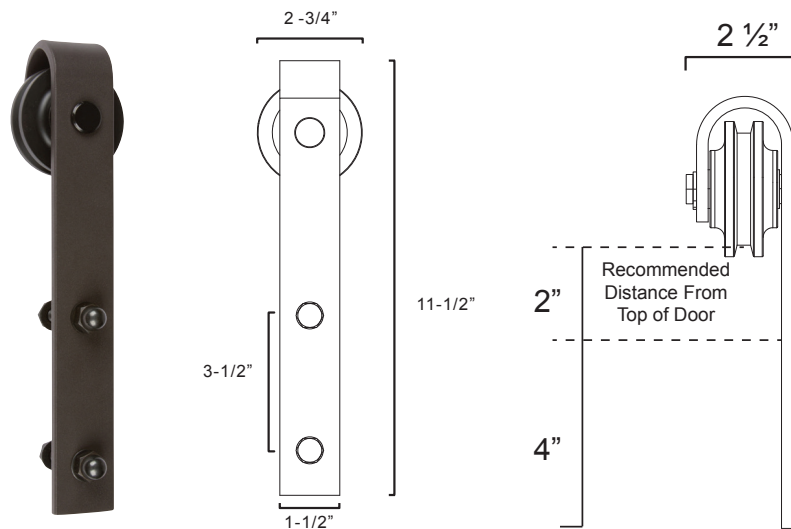


Weight Limit:
330 lb per set

1000 SERIES

Standard

Shown in Matte Black

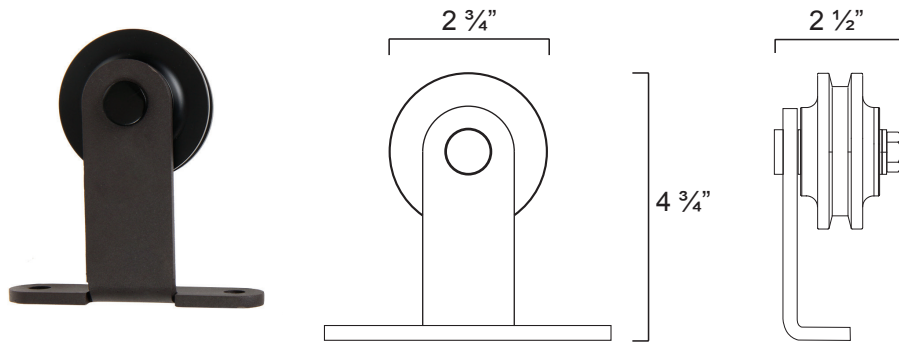


Description	WT/ CTN	QTY	Finish Options				
			US10B Oil Rubbed Bronze	US15 Satin Nickel	US19 Matte Black	US32D Satin Stainless Steel	
1000 Series 5ft Barn Door Hardware (Split Track)	16 lb	1	Item No.	—	—	BD1054S	—
			List Price			\$182.00	
1000 Series 6ft Barn Door Hardware (Split Track)	16 lb	1	Item No.	BD1069S	BD1062S	BD1064S	BD1061S
			List Price	\$299.00	\$299.00	\$195.00	\$390.00
1000 Series 6ft, 5 inch Barn Door Hardware (Split Track)	16 lb	1	Item No.	—	—	BD1664S	—
			List Price			\$238.00	
1000 Series 8ft, Barn Door Hardware (Split Track)	18 lb	1	Item No.	BD1089S	BD1082S	BD1084S	—
			List Price	\$406.00	\$406.00	\$280.00	

DELANEY® SPLIT TRACK

3000 SERIES Top Mount

Shown in Matte Black

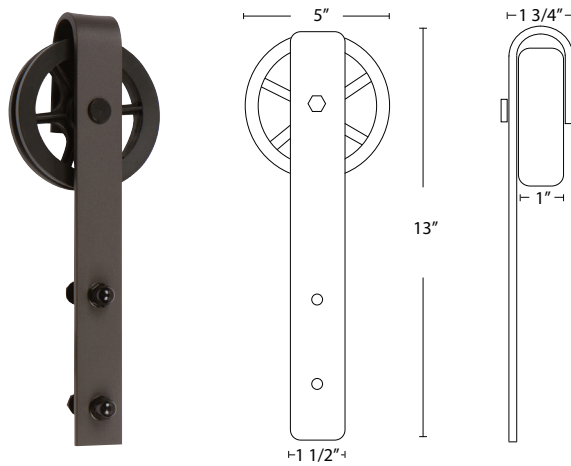


Weight Limit:
260 lb per set

Description	WT/ CTN	QTY		US15 Satin Nickel	US19 Matte Black
3000 Series 6ft Barn Door Hardware (Low Profile Top Mount w/ Split Track)	15 lb	1	Item No.	BD3062S	BD3064S
			List Price	\$333.19	\$290.05
3000 Series 8ft Barn Door Hardware (Low Profile Top Mount w/ Split Track)	15 lb	1	Item No.	BD3082S	BD3084S
			List Price	\$404.30	\$322.36

5000 SERIES Wagon Wheel

Shown in Matte Black



Weight Limit:
330 lb per set

Description	WT/CTN	QTY		US19 Matte Black	Brushed Steel
5000 Series 6ft Barn Door Hardware (Wagon Wheel w/ Split Track)	18 lb	1	Item No.	BD5064S	BD5061S
			List Price	\$333.98	\$441.32
5000 Series 8ft Barn Door Hardware (Wagon Wheel w/ Split Track)	18 lb	1	Item No.	BD5084S	—
			List Price	\$363.26	

Barn Door Single Bifold Kit

Shown in Matte Black

Description	WT/ CTN	QTY		US19 Matte Black
Barn Door Bifold Kit for Single Door	15 lb	1	Item No.	BDBIFOLD
			List Price	\$180.50

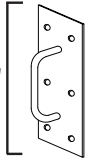
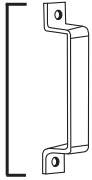
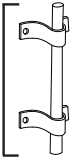
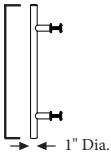
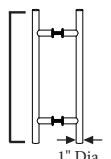




DELANEY® HANDLES & PULLS

BARN DOOR HANDLES

	Description	Finish	Item No.	List Price	QTY	WT/ CTN
4¾"	Barn Door Finger Pull - Flush	US19	BD0164	\$23.00	1	1 lb
	Barn Door Finger Pull - Flush	US15	BD0161	\$23.00	1	1 lb
	Barn Door Finger Pull - Flush	US10B	BD0169	\$23.00	1	1 lb
12"	Barn Door Combo Pull Handle - (Round with Flush Mount)	US19	BD0804	\$50.00	1	2.6 lb
6½"	Barn Door Pull Handle - Square	US19	BD0124	\$20.30	1	1 lb
	Barn Door Pull Handle - Square	US10B	BD0129	\$20.30	1	1 lb
7"	Barn Door Pull Handle - Clover	US19	BD0134	\$20.30	1	1 lb
	Barn Door Pull Handle - Clover	Brushed Steel	BD0131	\$21.00	1	1 lb
7½"	Barn Door Pull Handle - Spade	US15	BD0141	\$20.30	1	1 lb
10¼"	Barn Door Pull Handle - Spade	US19	BD0144	\$20.30	1	1 lb
7¾"	Barn Door Pull Handle - Round 002	US19	BD0024	\$22.00	1	1 lb
7¾"	Barn Door Pull Handle - Round 036	US19	BD0364	\$22.00	1	1 lb
	Barn Door Pull Handle - Round 036	US10B	BD0369	\$22.00	1	1 lb
	Barn Door Pull Handle - Round 036	US15	BD0361	\$23.60	1	1 lb

BARN DOOR HANDLES


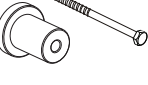

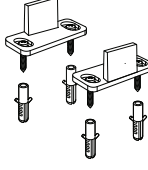

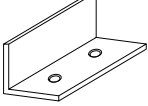

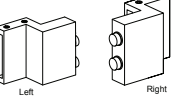
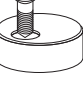
	Description	Finish	Item No.	List Price	QTY	WT/CTN	
11 3/4" 	Barn Door Pull Handle - Round Handle with Plate (Handle Length 2-1/2", width 3-1/8")	US19	BD0034	\$89.00	1	1 lb	
7 3/4" 	Barn Door Pull Handle - Flat Square	US19	BD0044	\$22.00	1	1 lb	
	Barn Door Pull Handle - Flat Square	US10B	BD0049	\$22.00	1	1 lb	
	Barn Door Pull Handle - Flat Square	US15	BD0041	\$23.60	1	1 lb	
	Barn Door Pull Handle - Flat Square	US4	BD0046	\$25.00	1	1 lb	
7 3/4" 	Barn Door Pull Handle - Tubular 026	US19	BD0264	\$22.00	1	1 lb	
	Barn Door Pull Handle - Tubular 026	US10B	BD0269	\$22.00	1	1 lb	
15 3/4" 	Barn Door Pull Handle - Single-Sided Round	US19	BD0174	\$80.00	1	1 lb	
	Barn Door Pull Handle - Single-Sided Round	US10B	BD0159	\$80.00	1	1 lb	
	Barn Door Pull Handle - Single-Sided Round	US15	BD0151	\$80.00	1	1 lb	
15 3/4" 	Barn Door Pull Handle - Double-Sided Round	US19	BD0464	\$82.00	1	3 lb	
	Barn Door Pull Handle - Double-Sided Round	US10B	BD0469	\$82.00	1	3 lb	
	Barn Door Pull Handle - Double-Sided Round	US15	BD0461	\$82.00	1	3 lb	
17 1/4"  Single	Barn Door Pull Handle - 17" Single-Sided Square	US19	BD0604	\$42.00	1	2 lb	
	Barn Door Pull Handle - 17" Single-Sided Square	US15	BD0601	\$42.00	1	2 lb	
	Barn Door Pull Handle - 17" Double-Sided Square	US19	BD0664	\$42.00	1	3 lb	
	17 1/4"  Double	Barn Door Pull Handle - 17" Double-Sided Square	Brushed Steel	BD0661	\$42.00	1	3 lb
		Barn Door Pull Handle - 5FT Double-Sided Square	Brushed Steel	BD0761	\$106.00	1	3 lb

DELANEY® BARNDOOR ACCESSORIES

FLAT TRACK KIT COMPONENTS

	Description	Finish	Item No.	List Price	QTY
	1000 Series Hanger Only w/ Mounting Screws	US19	BD1004	\$69.00	1
	1000 Series Hanger Only w/ Mounting Screws	US10B	BD1009	\$69.00	1
	1000 Series Hanger Only w/ Mounting Screws	Brushed Steel	BD1001	\$83.00	1
	1000 Series Hanger Only w/ Mounting Screws	US4	BD1006	\$83.00	1
	3000 Series Hanger Only w/ Mounting Screws	US19	BD3004	\$75.00	1
	3000 Series Hanger Only w/ Mounting Screws	Brushed Steel	BD3001	\$75.00	1
	3000 Series Hanger Only w/ Mounting Screws	US15	BD3002	\$75.00	1
	3000 Series Hanger Only w/ Mounting Screws	US10B	BD3009	\$75.00	1
	5000 Series Hanger Only w/ Mounting Screws	Brushed Steel	BD5001	\$92.00	1
	5000 Series Hanger Only w/ Mounting Screws	US19	BD5004	\$92.00	1
	5000 Series Hanger Only w/ Mounting Screws	US10B	BD5009	\$92.00	1
	Barn Door Standard 5' Track Only	US19	BD1154	\$162.00	1
	Barn Door Standard 5' Track Only	US15	BD1152	\$189.00	1
	Barn Door Standard 6' Track Only	US19	BD1164	\$172.00	1
	Barn Door Standard 6' Track Only	Brushed Steel	BD1161	\$215.00	1
	Barn Door Standard 6' Track Only	US10B	BD1169	\$192.00	1
	Barn Door Standard 6' Track Only	US15	BD1162	\$192.00	1
	Barn Door Standard 8' Track Only	Brushed Steel	BD1181	\$255.00	1
	Barn Door Standard 8' Track Only	US10B	BD1189	\$236.00	1
	Barn Door Standard 8' Track Only	US15	BD1182	\$285.00	1
	Barn Door Flat Track Dual Soft Closer (All series)*Pair	US19	BD0001A	\$70.00	1
	Barn Door Flat Track Connector Plate (All Series)	US19	BD0003	\$26.00	1
	Barn Door Flat Track Connector Plate (All Series)	US10B	BD0002	\$26.00	1
	Barn Door Flat Track Connector Plate (All Series)	US15	BD0063	\$26.00	1
	Barn Door ByPass Track Connector Bracket	US19	BD0054	\$26.00	1

DELANEY® BARNDOOR ACCESSORIES

	Description	Finish	Item No.	List Price	QTY
	Barn Door Tear Drop Privacy Lock - 2 3/16" tall, 1 5/16" wide	US19	BD0504	\$28.00	1
	Barn Door Lag Bolt & Spacer- 1 3/8", Standard	BS	BD0061	\$24.00	1
	Barn Door Lag Bolt & Spacer- 1 3/8", Standard	BLK	BD0064	\$24.00	1
	Barn Door Lag Bolt & Spacer- 1 3/8", Standard	ORB	BD0069	\$24.00	1
	Barn Door Lag Bolt & Spacer- 1 3/8", Standard	US15	BD0062	\$26.00	1
	Barn Door Lag Bolt and Spacer - 2" Extended (each)	US19	BD0017	\$26.00	1
	Barn Door Lag Bolt and Spacer - 2" Extended (each)	ORB	BD0016	\$26.00	1
	Barn Door Lag Bolt and Spacer - 2" Extended (each)	Stainless Steel	BD0018	\$26.00	1
	Barn Door Double Floor Guide	US19	BD0005	\$29.00	1
	Barn Door Wall Mount Guide	US19	BD0104	\$29.00	1
	Barn Door L Guide - 7/8" tall, 7/8" wide, 1/2" thick, 2" long	US19	BD0004	\$25.00	1
	Barn Door L Guide - 7/8" tall, 7/8" wide, 1/2" thick, 2" long	Brushed Steel	BD0071	\$37.00	1
	Barn Door T Guide	US19	BD0015	\$29.00	1
	Barn Door Flat Track Stops (Pair)	US19	BD0006	\$26.00	1
	Barn Door Flat Track Stops (Pair)	ORB	BD0007	\$27.00	1
	Barn Door Anti-Jump Disc (Pair)	US19	BD0010	\$29.00	1

BATH HARDWARE

900 Series-Acadia
Shown in Satin Brass

Bath Series

1100 Series-Denali
900 Series-Acadia
800 Series-Shenandoah
700 Series-Sequoia
600 Series-Everglade
500 Series-Yellowstone
400 Series-Yosemite
300 Series-Cascade
200 Series-Congaree

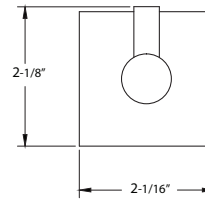
Bath Accessories

Medicine Cabinets
Shower Rods
Grab Bars

1100 SERIES-DENALI SQUARE CONTEMPORARY

Shown in Satin Nickel

Trim Size:



Towel Ring



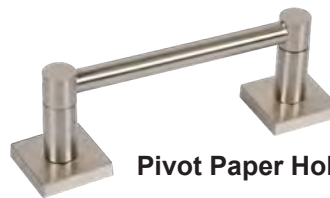
Euro Paper Holder



Paper Holder



Towel Bar Set



Pivot Paper Holder



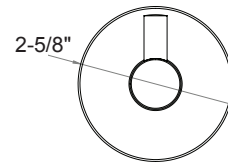
Single Robe Hook

DESCRIPTION	WT/LB	CT/ QTY		US26 Bright Chrome	US15 Satin Nickel	US4 Satin Brass	US19 Matte Black	US12P Tuscany Bronze
Paper Holder (Metallic Plastic Roller)	48 lb	50 Pcs	Item No.	510006	510008	510000	510004	510002
			List Price	\$32.80	\$32.80	\$40.30	\$40.30	\$33.25
Euro Paper Holder	40 lb	50 Pcs	Item No.	510106	510108	510100	510104	510102
			List Price	\$31.10	\$31.10	\$32.80	\$32.80	\$32.80
Towel Ring	37 lb	50 Pcs	Item No.	510506	510508	510500	510504	510502
			List Price	\$30.90	\$30.90	\$36.35	\$36.35	\$32.80
Pivot Paper Holder	37 lb	50 Pcs	Item No.	—	—	510400	510404	—
			List Price			\$55.00	\$55.00	
Single Robe Hook	20 lb	50 Pcs	Item No.	510606	510608	510600	510604	510602
			List Price	\$23.45	\$23.45	\$31.85	\$31.85	\$31.35
18" Towel Bar Set	64 lb	50 Pcs	Item No.	511186K	511188K	511180K	511184K	511182K
			List Price	\$40.00	\$40.00	\$46.30	\$46.30	\$43.95
24" Towel Bar Set	42 lb	50 Pcs	Item No.	511246K	511248K	511240K	511244K	511242K
			List Price	\$43.25	\$43.25	\$49.30	\$49.30	\$46.35
Towel Bar Post Only	42 lb	50 Pcs	Item No.	512006	512008	512000	512004	512002
			List Price	\$32.80	\$32.80	\$40.25	\$40.25	\$35.95
5/8" Diameter 18" Towel Bar Only	18 lb	50 Pcs	Item No.	580186	580188	580180	580184	580182
			List Price	\$6.70	\$6.70	\$8.10	\$8.10	\$8.00
5/8" Diameter 24" Towel Bar Only	22 lb	50 Pcs	Item No.	580246	580248	580240	580244	580242
			List Price	\$8.75	\$8.75	\$10.70	\$10.70	\$10.40

900 SERIES-ACADIA ROUND CONTEMPORARY

Shown in Satin Nickel

Trim Size:



Towel Ring



Euro Paper Holder



Paper Holder



Single Robe Hook



Towel Bar Set



Pivot Paper Holder



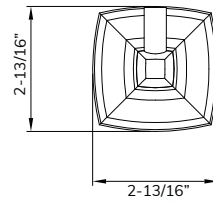
Rod Paper Holder

DESCRIPTION	WT/ LB	CT/QTY		US26 Bright Chrome	US15 Satin Nickel	US4 Satin Brass	US19 Matte Black	US12P Tuscany Bronze
Paper Holder (Metallic Plastic Roller)	48 lb	50 Pcs	Item No.	598006	598008	598000	598004	598002
			List Price	\$25.45	\$25.45	\$33.95	\$33.95	\$28.35
Euro Paper Holder	40 lb	50 Pcs	Item No.	598106	598108	598100	598104	598102
			List Price	\$16.70	\$16.70	\$20.80	\$20.80	\$18.60
Rod Paper Holder	48 lb	50 Pcs	Item No.	598706	598708	—	598704	—
			List Price	\$25.00	\$25.00		\$25.00	
Pivot Paper Holder	48 lb	50 Pcs	Item No.	598406	598408	598400	598404	598402
			List Price	\$35.00	\$35.00	\$35.00	\$35.00	\$35.00
Towel Ring	37 lb	50 Pcs	Item No.	598506	598508	598500	598504	598502
			List Price	\$20.20	\$20.20	\$23.70	\$23.70	\$23.70
Single Robe Hook	20 lb	50 Pcs	Item No.	598606	598608	598600	598604	598602
			List Price	\$11.55	\$11.55	\$15.00	\$15.00	\$15.00
26" Towel Bar Set	42 lb	50 Pcs	Item No.	598246	598248	598240	598244	598242
			List Price	\$31.45	\$31.45	\$36.45	\$36.45	\$36.45
34" Towel Bar Set	64 lb	50 Pcs	Item No.	598306	598308	598300	598304	598302
			List Price	\$32.10	\$32.10	\$38.90	\$38.90	\$38.90

800 SERIES-SHENANDOAH

Shown in Satin Nickel

Trim Size:



Towel Ring



Euro Paper Holder



Paper Holder



Towel Bar Set



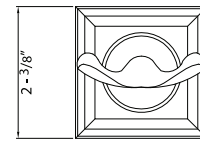
Single Robe Hook

DESCRIPTION	WT/ LB	CT/QTY	US26 Bright Chrome				US15 Satin Nickel		US12P Tuscany Bronze	
			Item No.	List Price	Item No.	List Price	Item No.	List Price		
Paper Holder (Metal Roller)	48 lb	50 Pcs	Item No.	588006	588008	588002	List Price	\$23.65	\$23.65	\$25.25
			List Price	\$23.65	\$23.65	\$25.25				
Euro Paper Holder	40 lb	50 Pcs	Item No.	588106	588108	588102	List Price	\$14.15	\$14.15	\$16.55
			List Price	\$14.15	\$14.15	\$16.55				
Towel Ring	37 lb	50 Pcs	Item No.	588506	588508	588502	List Price	\$19.85	\$19.85	\$22.95
			List Price	\$19.85	\$19.85	\$22.95				
Single Robe Hook	20 lb	50 Pcs	Item No.	588606	588608	588602	List Price	\$7.30	\$7.30	\$8.35
			List Price	\$7.30	\$7.30	\$8.35				
18" Towel Bar Set	62 lb	50 Pcs	Item No.	588186K	588188K	588182K	List Price	\$27.55	\$27.55	\$31.85
			List Price	\$27.55	\$27.55	\$31.85				
24" Towel Bar Set	64 lb	50 Pcs	Item No.	588246K	588248K	588242K	List Price	\$29.60	\$29.60	\$34.30
			List Price	\$29.60	\$29.60	\$34.30				
Towel Bar Post Only	42 lb	50 Pcs	Item No.	588206	588208	588202	List Price	\$20.80	\$20.80	\$23.85
			List Price	\$20.80	\$20.80	\$23.85				
3/4" Diameter 18" Towel Bar Only	18 lb	50 Pcs	Item No.	540186	540188	540182	List Price	\$6.70	\$6.70	\$8.00
			List Price	\$6.70	\$6.70	\$8.00				
3/4" Diameter 24" Towel Bar Only	22 lb	50 Pcs	Item No.	540246	540248	540242	List Price	\$8.75	\$8.75	\$10.40
			List Price	\$8.75	\$8.75	\$10.40				

700 SERIES-SEQUOIA

Shown in Satin Nickel

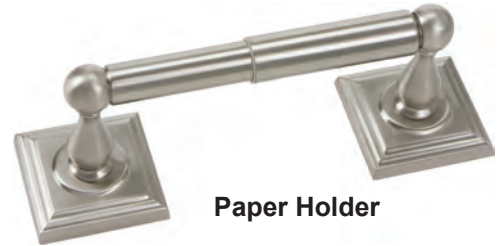
Trim Size:



Towel Ring



Euro Paper Holder



Paper Holder



Towel Bar Set



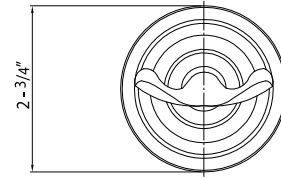
Double Robe Hook

DESCRIPTION	WT/ LB	CT/QTY		US26 Bright Chrome	US15 Satin Nickel	US19 Matte Black	US12P Tuscany Bronze
Paper Holder (Metal Roller)	48 lb	50 Pcs	Item No.	520006	520008	520004	520002
			List Price	\$23.00	\$23.00	\$27.15	\$25.30
Euro Paper Holder	40 lb	50 Pcs	Item No.	520106	520108	520104	520102
			List Price	\$14.15	\$14.15	\$17.85	\$16.55
Towel Ring	37 lb	50 Pcs	Item No.	520506	520508	520504	520502
			List Price	\$19.85	\$19.85	\$24.05	\$22.95
Double Robe Hook	20 lb	50 Pcs	Item No.	520606	520608	520604	520602
			List Price	\$7.00	\$7.00	\$9.00	\$8.00
18" Towel Bar Set	59 lb	50 Pcs	Item No.	521186K	521188K	521184K	521182K
			List Price	\$27.55	\$27.55	\$29.45	\$29.45
24" Towel Bar Set	64 lb	50 Pcs	Item No.	521246K	521248K	521244K	521242K
			List Price	\$29.60	\$29.60	\$34.25	\$34.25
Towel Bar Post Only	42 lb	50 Pcs	Item No.	522006	522008	522004	522002
			List Price	\$20.80	\$20.80	\$24.70	\$23.85
5/8" Diameter 18" Towel Bar Only	18 lb	50 Pcs	Item No.	580186	580188	580184	580182
			List Price	\$6.70	\$6.70	\$8.10	\$8.00
5/8" Diameter 24" Towel Bar Only	22 lb	50 Pcs	Item No.	580246	580248	580244	580242
			List Price	\$8.75	\$8.75	\$10.70	\$10.40

600 SERIES-EVERGLADE

Shown in Satin Nickel

Trim Size:



Towel Ring



Euro Paper Holder



Paper Holder



Towel Bar Set



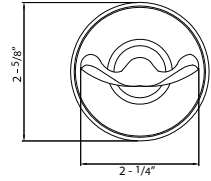
Double Robe Hook

DESCRIPTION	WT/LB	CT/QTY	US26 Bright Chrome			US15 Satin Nickel			US12P Tuscany Bronze		
			Item No.	List Price		Item No.	List Price		Item No.	List Price	
Paper Holder (Metal Roller)	48 lb	50 Pcs	Item No.	550006		550008		550002			
			List Price	\$23.65		\$23.65		\$25.35			
Euro Paper Holder	40 lb	50 Pcs	Item No.	550106		550108		550102			
			List Price	\$14.15		\$14.15		\$15.95			
Towel Ring	37 lb	50 Pcs	Item No.	550506		550508		550502			
			List Price	\$19.85		\$19.85		\$21.95			
Double Robe Hook	20 lb	50 Pcs	Item No.	550606		550608		550602			
			List Price	\$7.10		\$7.10		\$8.00			
18" Towel Bar Set	59 lb	50 Pcs	Item No.	551186K		551188K		551182K			
			List Price	\$27.55		\$27.55		\$28.60			
24" Towel Bar Set	64 lb	50 Pcs	Item No.	551246K		551248K		551242K			
			List Price	\$29.60		\$29.60		\$31.15			
Towel Bar Post Only	42 lb	50 Pcs	Item No.	552006		552008		552002			
			List Price	\$20.80		\$20.80		\$23.85			
3/4" Diameter 18" Towel Bar Only	18 lb	50 Pcs	Item No.	540186		540188		540182			
			List Price	\$6.70		\$6.70		\$8.00			
3/4" Diameter 24" Towel Bar Only	22 lb	50 Pcs	Item No.	540246		540248		540242			
			List Price	\$8.75		\$8.75		\$10.40			
3/4" Diameter 30" Towel Bar Only	22 lb	50 Pcs	Item No.	540306		540308		540302			
			List Price	\$10.75		\$10.75		\$13.45			

500 SERIES-YELLOWSTONE

Shown in Satin Nickel

Trim Size:



Towel Ring



Euro Paper Holder



Paper Holder



Towel Bar Set



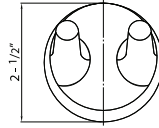
Double Robe Hook

DESCRIPTION	WT/ LB	CT/ QTY		US26 Bright Chrome	US15 Satin Nickel	US4 Satin Brass	US19 Matte Black	US12P Tuscany Bronze
Paper Holder (Metal Roller)	33 lb	50 Pcs	Item No.	590006	590008	590000	590004	590002
			List Price	\$17.35	\$17.35	\$21.45	\$21.45	\$20.00
Euro Paper Holder	31 lb	50 Pcs	Item No.	590106	590108	590100	590104	590102
			List Price	\$10.70	\$10.70	\$14.30	\$14.30	\$12.30
Towel Ring	24 lb	50 Pcs	Item No.	590506	590508	590500	590504	590502
			List Price	\$13.50	\$13.50	\$17.20	\$17.20	\$16.65
Double Robe Hook	18 lb	50 Pcs	Item No.	590606	590608	590600	590604	590602
			List Price	\$6.80	\$6.80	\$9.10	\$9.10	\$7.80
18" Towel Bar Set	42 lb	50 Pcs	Item No.	591186K	591188K	591180K	591184K	591182K
			List Price	\$20.40	\$20.40	\$25.35	\$25.35	\$23.85
24" Towel Bar Set	46 lb	50 Pcs	Item No.	591246K	591248K	591240K	591244K	591242K
			List Price	\$22.40	\$22.40	\$27.90	\$27.90	\$26.25
Towel Bar Post Only	29 lb	50 Pcs	Item No.	592006	592008	592000	592004	592002
			List Price	\$13.65	\$13.65	\$17.20	\$17.20	\$15.85
3/4" Diameter 18" Towel Bar Only	13 lb	50 Pcs	Item No.	540186	540188	540180	540184	540182
			List Price	\$6.70	\$6.70	\$8.10	\$8.10	\$8.00
3/4" Diameter 24" Towel Bar Only	18 lb	50 Pcs	Item No.	540246	540248	540240	540244	540242
			List Price	\$8.75	\$8.75	\$10.70	\$10.70	\$10.40
3/4" Diameter 30" Towel Bar Only	22 lb	50 Pcs	Item No.	540306	540308	—	—	540302
			List Price	\$10.75	\$10.75			\$13.45

400 SERIES-YOSEMITE

Shown in Satin Nickel

Trim Size:



Towel Ring



Euro Paper Holder



Paper Holder



Towel Bar Set

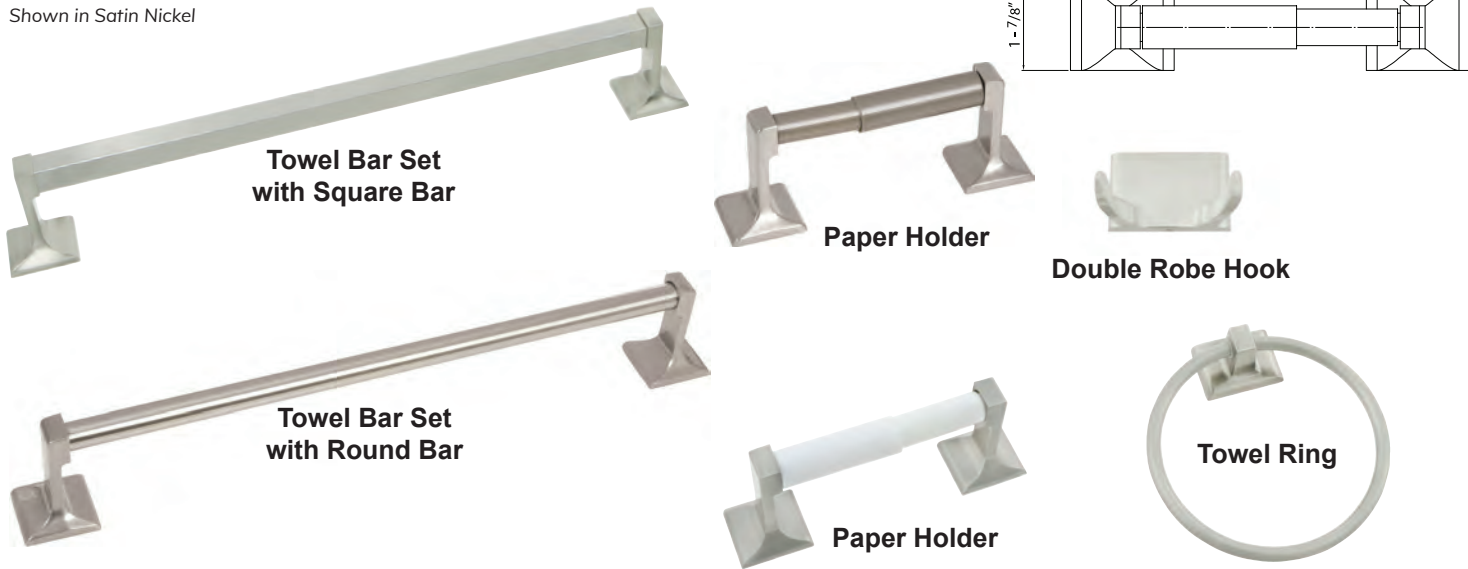


Double Robe Hook

DESCRIPTION	WT/LB	CT/QTY	US26 Bright Chrome			US15 Satin Nickel			US12P Tuscany Bronze		
			Item No.	List Price		Item No.	List Price		Item No.	List Price	
Paper Holder (Metallic Plastic Roller)	33 lb	50 Pcs	Item No.	580006		580008		580002			
			List Price	\$16.30		\$16.30		\$19.00			
Euro Paper Holder	31 lb	50 Pcs	Item No.	580106		580108		580102			
			List Price	\$16.30		\$16.30		\$19.00			
Towel Ring	24 lb	50 Pcs	Item No.	580506		580508		580502			
			List Price	\$12.45		\$12.45		\$14.00			
Double Robe Hook	18 lb	50 Pcs	Item No.	580606		580608		580602			
			List Price	\$5.45		\$5.45		\$6.45			
18" Towel Bar Set	40 lb	50 Pcs	Item No.	581186K		581188K		581182K			
			List Price	\$18.05		\$18.05		\$20.60			
24" Towel Bar Set	46 lb	50 Pcs	Item No.	581246K		581248K		581242K			
			List Price	\$21.55		\$21.55		\$24.70			
Towel Bar Post Only	29 lb	50 Pcs	Item No.	582006		582008		582002			
			List Price	\$12.80		\$12.80		\$14.25			
3/4" Diameter 18" Towel Bar Only	13 lb	50 Pcs	Item No.	540186		540188		540182			
			List Price	\$6.70		\$6.70		\$8.00			
3/4" Diameter 24" Towel Bar Only	18 lb	50 Pcs	Item No.	540246		540248		540242			
			List Price	\$8.75		\$8.75		\$10.40			
3/4" Diameter 30" Towel Bar Only	22 lb	50 Pcs	Item No.	540306		540308		540302			
			List Price	\$10.75		\$10.75		\$13.45			

300 SERIES-CASCADE

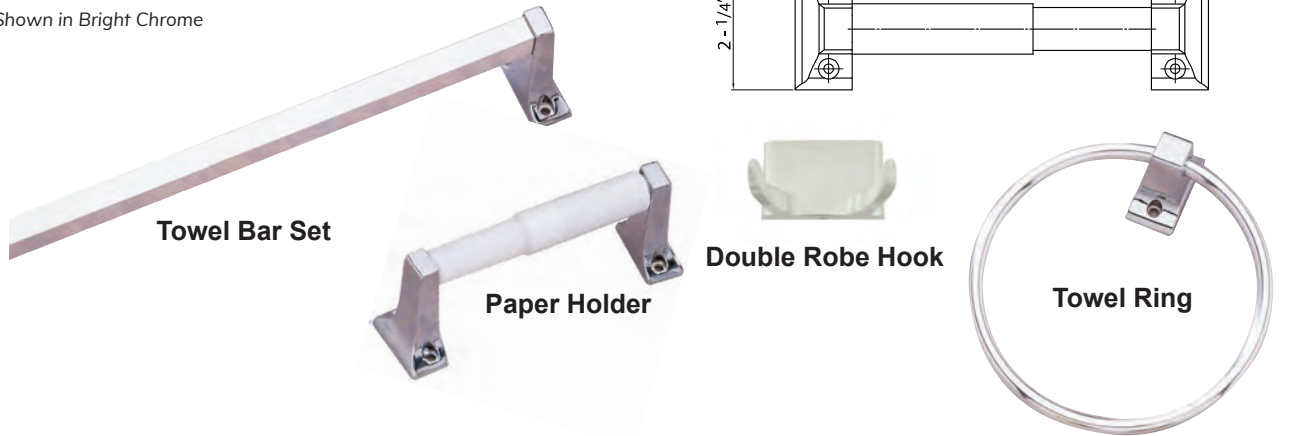
Shown in Satin Nickel



DESCRIPTION	WT/LB	CT/QTY	US26 Bright Chrome		US15 Satin Nickel	
			Item No.	List Price	Item No.	List Price
Paper Holder (White Plastic Roller)	29 lb	50 Pcs	Item No.	502001B	502801B	
			List Price	\$8.15	\$10.00	
Paper Holder (Metallic Plastic Roller)	29 lb	50 Pcs	Item No.	502002B	502802B	
			List Price	\$8.15	\$10.00	
Double Robe Hook	18 lb	50 Pcs	Item No.	502012B	502812B	
			List Price	\$3.60	\$4.00	
Towel Ring	12 lb	50 Pcs	Item No.	502022B	502822B	
			List Price	\$6.55	\$8.00	
18" Towel Bar Set (Square)	32 lb	50 Pcs	Item No.	572018BK	572818BK	
			List Price	\$11.65	\$12.00	
24" Towel Bar Set (Square)	36 lb	50 Pcs	Item No.	572024BK	572824BK	
			List Price	\$13.50	\$14.00	
Towel Bar Post Only (Square)	25 lb	50 Pcs	Item No.	502100B	502800B	
			List Price	\$6.70	\$7.70	
3/4" x 18" Towel Bar Only (Square)	8 lb	50 Pcs	Item No.	582118	580118	
			List Price	\$2.40	\$4.45	
3/4" x 24" Towel Bar Only (Square)	11 lb	50 Pcs	Item No.	582124	580124	
			List Price	\$3.30	\$5.80	
18" Towel Bar Set (Round)	32 lb	50 Pcs	Item No.	572018RK	572818RK	
			List Price	\$13.45	\$15.00	
24" Towel Bar Set (Round)	36 lb	50 Pcs	Item No.	572024RK	572824RK	
			List Price	\$15.45	\$17.00	
Towel Bar Post Only (Round)	25 lb	50 Pcs	Item No.	502100R	502800R	
			List Price	\$6.70	\$7.70	
3/4" x 18" Towel Bar Only (Round)	8 lb	50 Pcs	Item No.	540186	540188	
			List Price	\$6.70	\$6.70	
3/4" x 24" Towel Bar Only (Round)	8 lb	50 Pcs	Item No.	540246	540248	
			List Price	\$8.75	\$8.75	

200 SERIES-CONGAREE BATHROOM ACCESSORIES

Shown in Bright Chrome



DESCRIPTION	WT/LB	CT/QTY	US26 Bright Chrome	
Paper Holder (White Plastic Roller)	25 lb	50 Pcs	Item No.	501001B
			List Price	\$6.00
Towel Ring	11 lb	50 Pcs	Item No.	501022
			List Price	\$5.00
24" Towel Bar Set	26 lb	50 Pcs	Item No.	501024K
			List Price	\$8.00
Towel Bar Post Only	15 lb	50 Pcs	Item No.	501100
			List Price	\$5.70
3/4" x 18" Towel Bar Only	11 lb	50 Pcs	Item No.	582118
			List Price	\$2.40
3/4" x 24" Towel Bar Only	12 lb	50 Pcs	Item No.	582124
			List Price	\$3.30
Double Robe Hook	18 lb	50 Pcs	Item No.	501012
			List Price	\$3.00

MEDICINE CABINETS

- ~~SPECIFICATIONS~~
- Recessed Mounting -
 - Rough Opening 13-1/2" x 17-1/2"



Framed Medicine Cabinet



Beveled Edge Medicine Cabinet

DESCRIPTION	SIZE	CT/QTY	WT/CTN		
Satin Satin Stainless Steel Framed Medicine Cabinet	16" x 20"	1 Pcs	9 lb	Item No.	500001
				List Price	\$61.60
Beveled Edge Mirror Medicine Cabinet	16" x 22"	1 Pcs	9 lb	Item No.	500002
				List Price	\$87.35

CURVED SHOWER ROD SET (CONCEALED SCREW FLANGE)

Shown in Matte Black



Description	Finish	SIZE	CTN QTY	WT/CTN	Item No.	List Price
Curved Shower Rod Set w/ Concealed Screw Flange	US19	5 FT	12	14 lb	504254	\$68.75
Curved Shower Rod Set w/ Concealed Screw Flange	US26	5 FT	12	12 lb	504156	\$44.00

CONSTANT CURVE SHOWER ROD

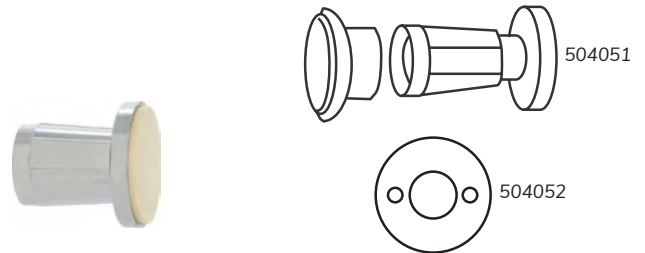
Shown in Bright Chrome



Description	Finish	SIZE	CTN QTY	WT/CTN	Item No.	List Price
Constant Curve Shower Rod Set- Bright Chrome	US26	5 FT	12	48 lb	504356	\$48.35
Constant Curve Shower Rod Set- Matte Black	US19	5 FT	12	48 lb	504354	\$65.45
Constant Curve Shower Rod Set- Stainless Steel	US32D	5 FT	12	48 lb	504350	\$51.00

SHOWER ROD SETS (W/ ADJUSTABLE FLANGES)

Shown in Bright Chrome



Description	Finish	SIZE	CTN QTY	WT/CTN	Item No.	List Price
Shower Rod Set w/ Adj. Flange	US26	5 FT	50	33 lb	504050K	\$12.95
Adj. Shower Rod Flange Only	US26		50	6 lb	504051	\$3.30
Exposed Screw Flange Only	US26		50	6 lb	504052	\$9.30
Satin Aluminum Shower Rod Only	US26	5 Ft	50	27 lb	504005	\$10.20
Satin Aluminum Shower Rod Only	US26	6 Ft	50	30 lb	504006	\$12.30

STAINLESS GRAB BARS (CONCEALED SCREW FLANGE)

Hospitality & Public Washroom
Accessories Available
Please call for additional sizes



ADA Compliant



Description	SIZE	CTN QTY	WT/CTN	Item No.	List Price
1-1/2" Satin Satin Stainless Steel Grab Bar Concealed Screw Flange	18"	12	23 lb	512018C	\$47.40
1-1/2" Satin Satin Stainless Steel Grab Bar Concealed Screw Flange	24"	12	27 lb	512024C	\$52.65
1-1/2" Satin Satin Stainless Steel Grab Bar Concealed Screw Flange	36"	12	35 lb	512036C	\$61.00
1-1/2" Satin Satin Stainless Steel Grab Bar Concealed Screw Flange	42"	12	40 lb	512042C	\$65.30

TRIM HARDWARE & HINGES

Pocket Door Locks
Door Knockers & Viewers
Plates & Pulls
Exterior Shutter Hardware
Handrail Brackets
Surface & Flush Bolts
Door Stops
Closet Hardware
Hinges

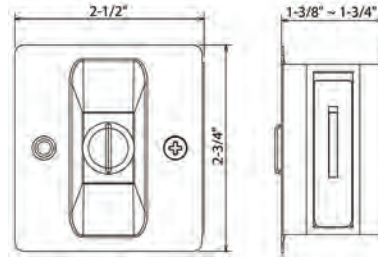


Contemporary Square Pocket Door Lock
in Matte Black

TRADITIONAL SQUARE SLIDING POCKET DOOR LOCKS

Requires Door Edge Prep

Passage Shown



Privacy Shown

Base Metal: Zinc

Function	WT/LB	CTN QTY		US15 Satin Nickel	US3 Bright Brass	US5 Antique Brass	US26 Bright Chrome	US10B Oil Rubbed Bronze	US12P Tuscany Bronze	US19 Matte Black
Passage	5 lb	10 Pcs	Item No.	270209	270203	270205	270206	270210	270211	270214
			List Price	\$16.00	\$16.00	\$16.00	\$16.00	\$16.00	\$16.00	\$16.00
Privacy	5 lb	10 Pcs	Item No.	270109	270103	270105	270106	270110	270111	270114
			List Price	\$18.00	\$18.00	\$18.00	\$18.00	\$18.00	\$18.00	\$18.00

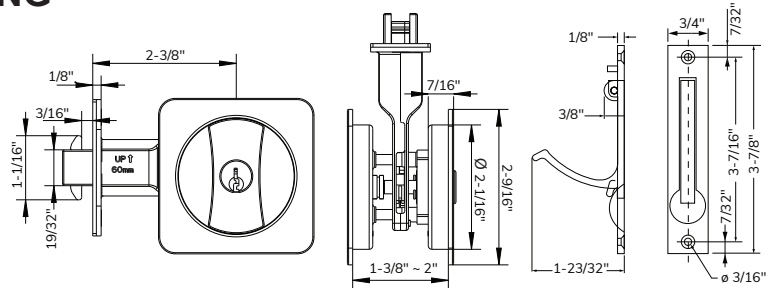
CONTEMPORARY SQUARE SLIDING POCKET DOOR LOCKS

Requires Standard Door Prep

Includes Privacy Color Indicator



Privacy Shown



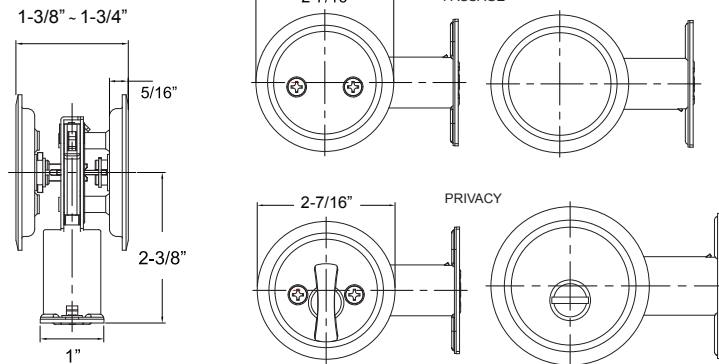
Base Metal: Zinc

Function	WT/LB	CTN QTY		US15 Satin Nickel	US26 Bright Chrome	US19 Matte Black
Entrance	10 lb	20 Pcs	Item No.	370009	370006	370004
			List Price	\$57.30	\$57.30	\$65.60
Passage	10 lb	20 Pcs	Item No.	370209	370206	370204
			List Price	\$31.90	\$31.90	\$40.00
Privacy	10 lb	20 Pcs	Item No.	370109	370106	370104
			List Price	\$55.90	\$55.90	\$64.30

ROUND SLIDING POCKET DOOR LOCKS

Requires Standard Door Prep

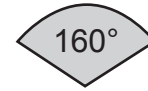
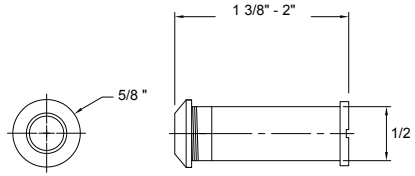
Passage Shown
Base Metal: Zinc



Function	WT/LB	CTN QTY		US15 Satin Nickel	US10B Oil Rubbed Bronze	US26 Bright Chrome	US19 Matte Black
Passage	5 lb	10 Pcs	Item No.	442220	442227	442226	442224
			List Price	\$33.00	\$33.00	\$33.00	\$33.00
Privacy	5 lb	10 Pcs	Item No.	442420	442427	442426	442424
			List Price	\$35.00	\$35.00	\$35.00	\$35.00

DELANEY® TRIM HARDWARE

160° SOLID BRASS VIEWER

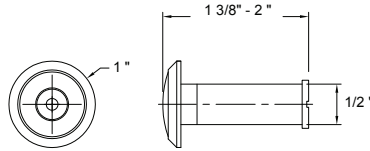


Base Metal: Brass

1/2" Installation Hole

	Description	Finish	Item No.	List Price	CTN QTY	WT/ CTN
	Solid Brass Viewer 160°	US19	400129	\$5.30	500	22 lbs
	Solid Brass Viewer 160°	US15	400139	\$5.30	500	22 lbs

180° SOLID BRASS VIEWER

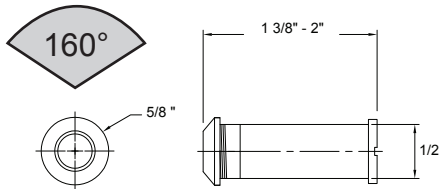


Base Metal: Brass

1/2" Installation Hole

	Description	Finish	Item No.	List Price	CTN QTY	WT/ CTN
	Solid Brass Viewer 180°	US10B	400111	\$9.90	500	22 lbs
	Solid Brass Viewer 180°	US15	400119	\$9.90	500	22 lbs
	Solid Brass Viewer 180°	US19	400114	\$9.90	500	22 lbs

UL SOLID BRASS VIEWER



160°

Base Metal: Brass

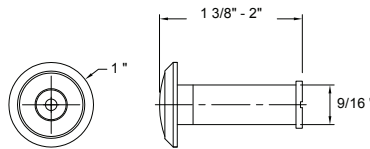


1/2" Installation Hole

1/2" Installation Hole

	Description	Finish	Item No.	List Price	CTN QTY	WT/ CTN
	UL Solid Brass Viewer 160°	US3	400115	\$10.90	500	22 lbs
	UL Solid Brass Viewer 160°	US10B	400001	\$10.90	500	22 lbs
	UL Solid Brass Viewer 160°	US15	400009	\$10.90	500	22 lbs
	UL Solid Brass Viewer 160°	US19	400010	\$10.90	500	22 lbs

UL 200° SOLID BRASS VIEWER



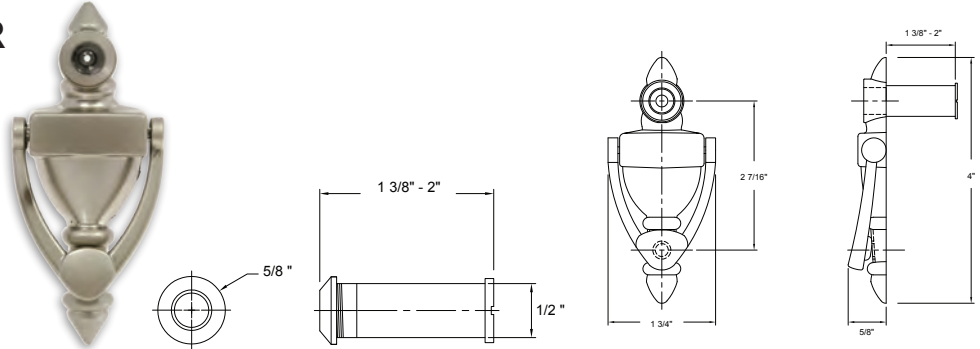
Base Metal: Brass



9/16" Installation Hole

	Description	Finish	Item No.	List Price	CTN QTY	WT/ CTN
	UL Solid Brass Viewer 200°	US10B	400021	\$19.60	500	22 lbs
	UL Solid Brass Viewer 200°	US15	400029	\$19.60	500	22 lbs

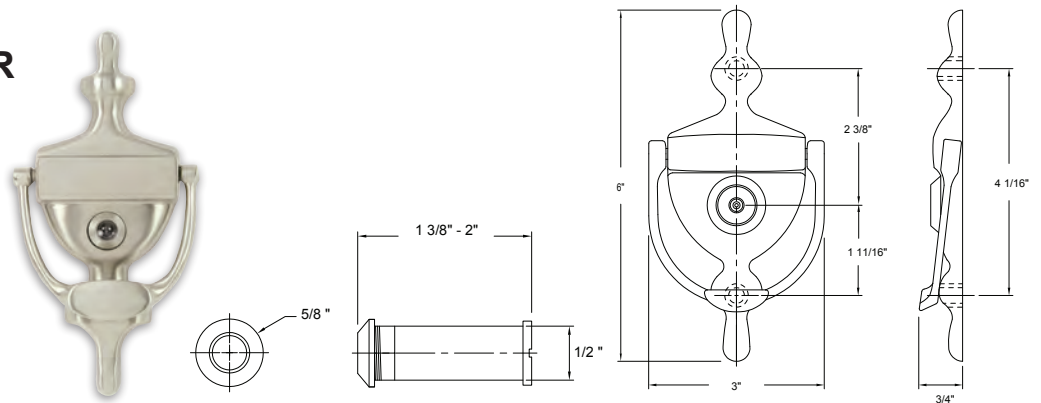
4" DOOR KNOCKER WITH 160° VIEWER



Base Metal: Brass

	Description	Finish	Item No.	List Price	CTN QTY	WT/ CTN
	4" Door Knocker w/ 160° Viewer	US15	400410	\$11.60	50	10 lb
	4" Door Knocker w/ 160° Viewer	US10B	400210	\$11.60	50	10 lb
	4" Door Knocker w/ 160° Viewer	US19	400310	\$11.60	50	10 lb
	4" Door Knocker w/ 160° Viewer	US26	400149	\$11.60	50	10 lb
	4" Door Knocker w/ 160° UL Viewer	US15	400410UL	\$15.60	50	10 lb
	4" Door Knocker w/ 160° UL Viewer	US19	400310UL	\$15.60	50	10 lb

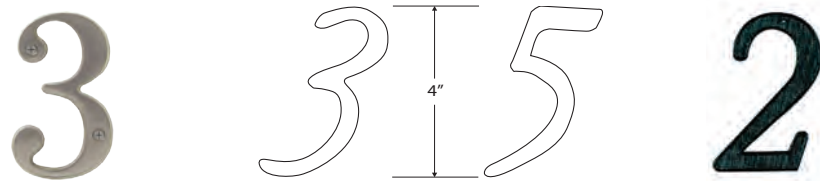
6" DOOR KNOCKER W/ 160° VIEWER



Base Metal: Brass

	Description	Finish	Item No.	Price List	CTN QTY	WT/ CTN
	6" Solid Brass Door Knocker w/ Viewer	US3	400145	\$24.00	50	10 lb
	6" Solid Brass Door Knocker w/ Viewer	US15	400146	\$24.00	50	10 lb
	6" Solid Brass Door Knocker w/ Viewer	US10B	400147	\$24.00	50	10 lb

4" METAL HOUSE NUMBERS

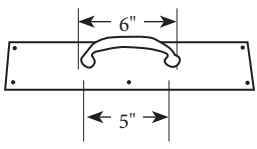
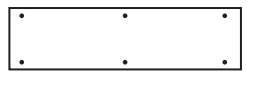
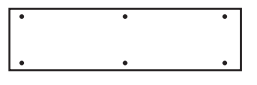


Base Metal: Matte Black-Zinc; US15-Brass

	Description	Finish	Item No.	Price List	CTN QTY	WT/ CTN
	Metal 4" House Numbers	Matte Black	420500(0-9)	\$2.30	500	21 lbs
	Metal 4" House Numbers (Solid Brass)	US15	Z38(0-9)15	\$13.00	200	10 lbs

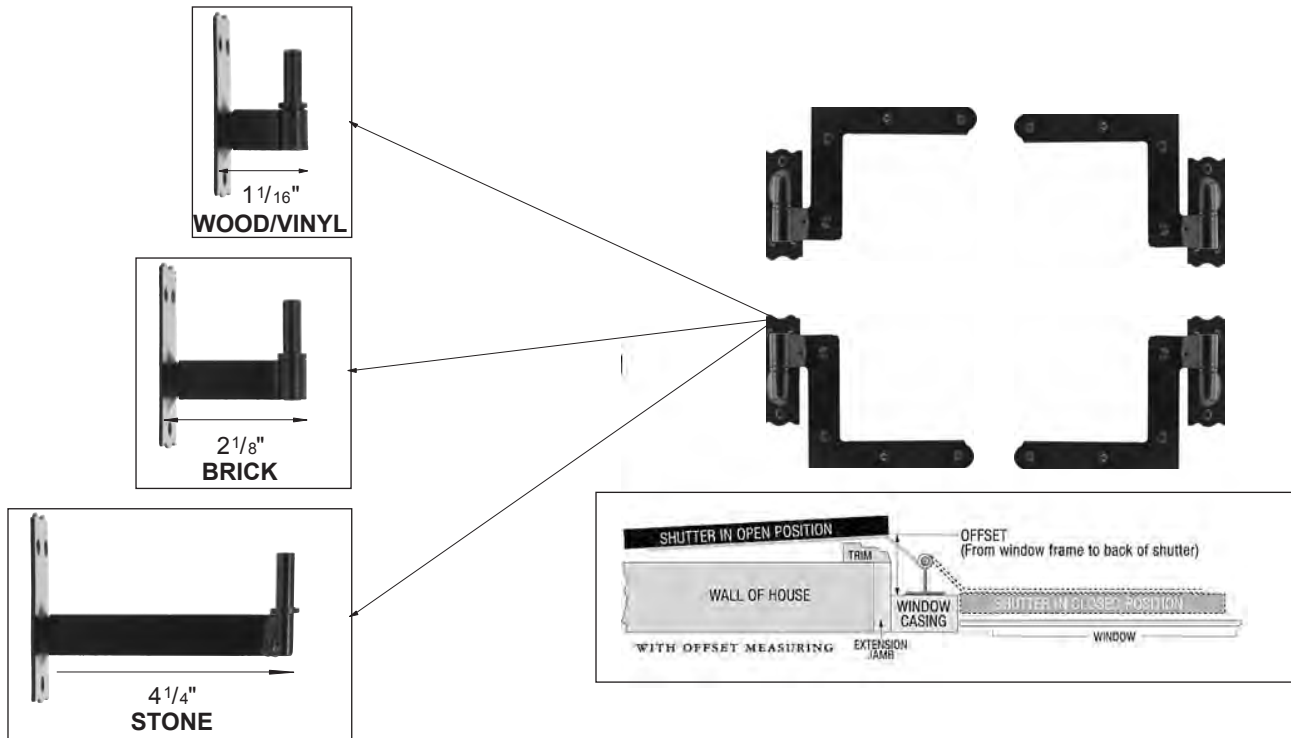
PULL PLATES, PUSH PLATES, & KICK PLATES

Base Metal: Solid Brass or Satin Stainless Steel

	Description	Finish	Item No.	List Price	CTN QTY	WT/CTN
	3-1/2" x 15" Satin Stainless Steel Pull Plate	US32D	490002	\$73.60	10	16 lb
	3-1/2" x 15" Solid Brass Pull Plate	US10B	490010	\$84.30	10	16 lb
	4" x 16" Satin Stainless Steel Pull Plate	US32D	490500	\$73.60	10	16 lb
	4" x 16" Solid Brass Pull Plate	US10B	490110	\$84.30	10	16 lb
	3-1/2" x 15" Satin Stainless Steel Push Plate	US32D	490502	\$25.30	10	12 lb
	3-1/2" x 15" Solid Brass Push Plate	US10B	490510	\$40.60	10	12 lb
	4" x 16" Satin Stainless Steel Push Plate	US32D	490600	\$25.30	10	12 lb
	4" x 16" Solid Brass Push Plate	US10B	490011	\$40.60	10	12 lb
	6" x 34" Satin Stainless Steel Kick Plate w/ Screws	US32D	496342	\$57.90	10	20 lb
	6" x 34" Solid Brass Kick Plate w/ Screws	US10B	496349	\$120.30	10	24 lb
	8" x 34" Solid Brass Kick Plate w/ Screws	US3	498034	\$122.30	10	22 lb
	8" x 34" Satin Stainless Steel Kick Plate w/ Screws	US32D	498342	\$70.30	10	22 lb
	8" x 34" Solid Brass Kick Plate w/ Screws	US10B	498349	\$153.60	10	22 lb
	8" x 34" Solid Brass Kick Plate w/ Screws	US15	498341	\$135.00	10	22 lb
	8" x 34" Anodized Kick Plate w/ Screws	US15	498142	\$135.00	10	12 lb
	8" x 34" Anodized Kick Plate w/ Screws	US10B	498149	\$153.60	10	12 lb

Call for additional sizes and finishes.

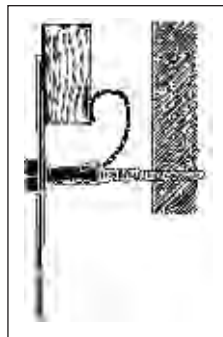
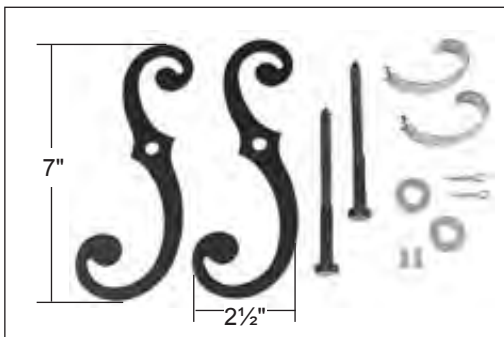
EXTERIOR SHUTTER BLIND HINGES SOLD IN SETS (Two Pair)



Description	Item No.	List Price	CTN QTY	WT/CTN
Exterior Shutter Hinges for Wood/Vinyl Siding	489200	\$35.00	20 Sets	37 lbs
Exterior Shutter Hinges for Brick Siding	489100	\$40.00	20 Sets	40 lbs
Exterior Shutter Hinges for Stone Siding	489400	\$57.60	20 Sets	40 lbs
Satin Stainless Steel Exterior Shutter Hinges for Wood/Vinyl Siding	489200SS	\$62.00	20 Sets	40 lbs
Satin Stainless Steel Exterior Shutter Hinges for Brick Siding	489100SS	\$59.90	20 Sets	40 lbs
Satin Stainless Steel Exterior Shutter Hinges for Stone Siding	489400SS	\$67.60	20 Sets	40 lbs

Base Metal: Iron or Satin Stainless Steel

S HOOKS SOLD IN PAIRS



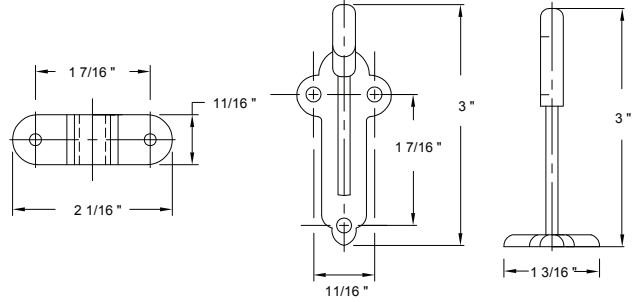
'S' Hook with Non-Rattling Spring

Application of non-rattling spring requires a minimum space of 1-3/8" between the house and the shutter.

Description	Item No.	List Price	CTN QTY	WT/CTN
Exterior Shutter 'S' Hooks	489300	\$11.60	50 Pairs	40 lbs
Satin Stainless Steel Exterior Shutter 'S' Hooks	489300SS	\$22.60	50 Pairs	40 lbs

Base Metal: Iron or Satin Stainless Steel

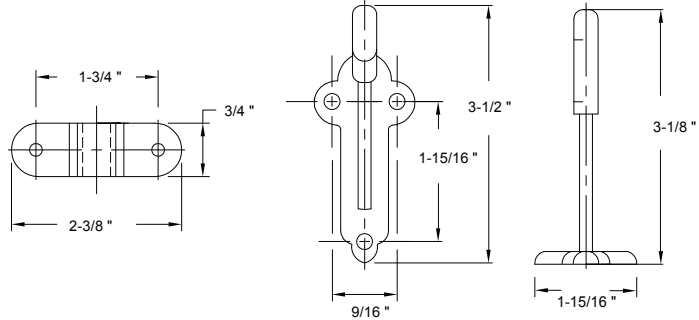
3" HANDRAIL BRACKET



Base Metal: Zinc

	Description	Finish	Item No.	List Price	CTN QTY	WT/CTN
	3" Handrail Bracket	US3	406102	\$3.00	250	40 lbs
	3" Handrail Bracket	US26	406105	\$3.00	250	40 lbs
	3" Handrail Bracket	US15A	406107	\$3.00	250	40 lbs
	3" Handrail Bracket	US15	406106	\$3.00	250	40 lbs
	3" Handrail Bracket	US10B	406110	\$3.00	250	40 lbs

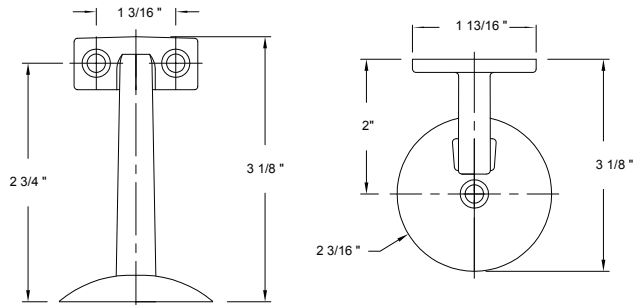
HEAVY DUTY 3 1/2" HANDRAIL BRACKET



Base Metal: Zinc

	Description	Finish	Item No.	List Price	CTN QTY	WT/CTN
	3 1/2" Heavy Duty Hand Rail Bracket	US3	406152	\$6.30	200	53 lbs
	3 1/2" Heavy Duty Hand Rail Bracket	US15	406159	\$6.30	200	53 lbs
	3 1/2" Heavy Duty Hand Rail Bracket	US10B	406150	\$6.30	200	53 lbs
	3 1/2" Heavy Duty Hand Rail Bracket	US19	406154	\$6.30	200	53 lbs

DECORATIVE HANDRAIL BRACKET

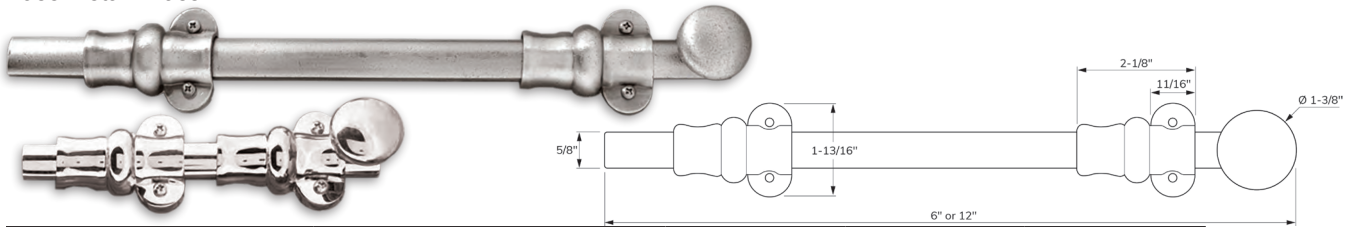


Base Metal: Zinc

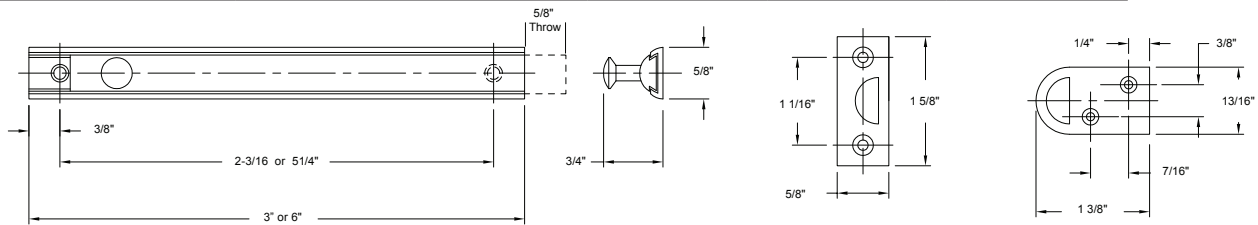
	Description	Finish	Item No.	List Price	CTN QTY	WT/CTN
	Decorative Hand Rail Bracket	US3	406100	\$14.00	100	33 lbs
	Decorative Hand Rail Bracket	US15	406111	\$14.00	100	33 lbs
	Decorative Hand Rail Bracket	US10B	406118	\$14.00	100	33 lbs
	Decorative Hand Rail Bracket	US19	406114	\$14.00	100	33 lbs

SOLID BRASS SURFACE BOLTS

Base Metal: Brass



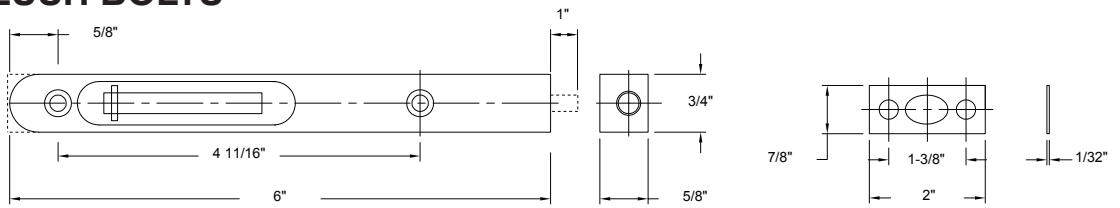
Description	Finish	Item No.	List Price	CTN QTY	WT/CTN
762 Surface Bolt 12"	US15	BV760016	\$74.30	48	33 lbs
762 Surface Bolt 12"	US10B	BV760017	\$74.30	48	33 lbs
762 Surface Bolt 12"	US26	BV760021	\$74.30	48	33 lbs
766 Surface Bolt 6"	US15	BV760011	\$60.00	76	33 lbs
766 Surface Bolt 6"	US10B	BV760012	\$60.00	76	33 lbs
766 Surface Bolt 6"	US26	BV760020	\$60.00	76	33 lbs



Description	Finish	Item No.	List Price	CTN QTY	WT/CTN
Solid Brass Surface Bolt 3"	US3	410303	\$8.00	100	29 lbs
Solid Brass Surface Bolt 3"	US15	410309	\$9.60	100	29 lbs
Solid Brass Surface Bolt 3"	US10B	410310	\$10.00	100	29 lbs
Solid Brass Surface Bolt 6"	US3	410503	\$8.60	100	29 lbs
Solid Brass Surface Bolt 6"	US26D	410507	\$12.60	100	29 lbs
Solid Brass Surface Bolt 6"	US15	410509	\$12.60	100	29 lbs
Solid Brass Surface Bolt 6"	US10B	410510	\$13.90	100	29 lbs

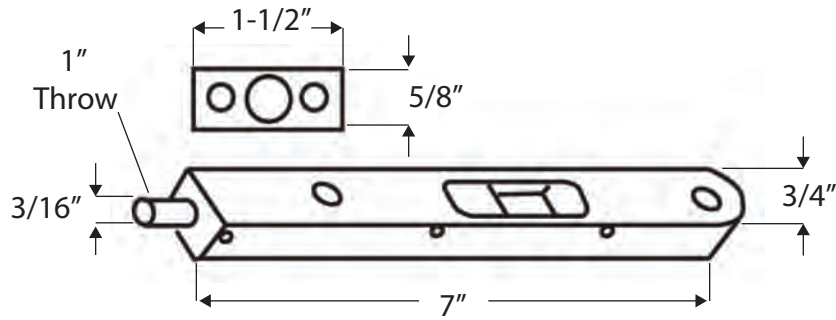
SOLID BRASS FLUSH BOLTS

Base Metal: Brass



Description	Finish	Item No.	List Price	CTN QTY	WT/CTN
Flush Bolt Solid Brass 6" Round End	US3	410600	\$10.30	150	40 lbs
Flush Bolt Solid Brass 6" Round End	US15	410215	\$13.30	150	40 lbs
Flush Bolt Solid Brass 6" Round End	US10B	410210	\$14.60	150	40 lbs
Flush Bolt Solid Brass 6" Square End	US3	410800	\$10.30	150	40 lbs
Flush Bolt Solid Brass 6" Square End	US15	410315	\$13.30	150	40 lbs
Flush Bolt Solid Brass 6" Square End	US10B	410810	\$14.60	150	40 lbs
Flush Bolt Solid Brass 6" Square End	US19	410504	\$14.60	150	40 lbs
Strike Plate Only for 6" Flush Bolt	US15	480415	\$1.00	150	40 lbs
Strike Plate Only for 6" Flush Bolt	US10B	480400	\$1.00	150	40 lbs

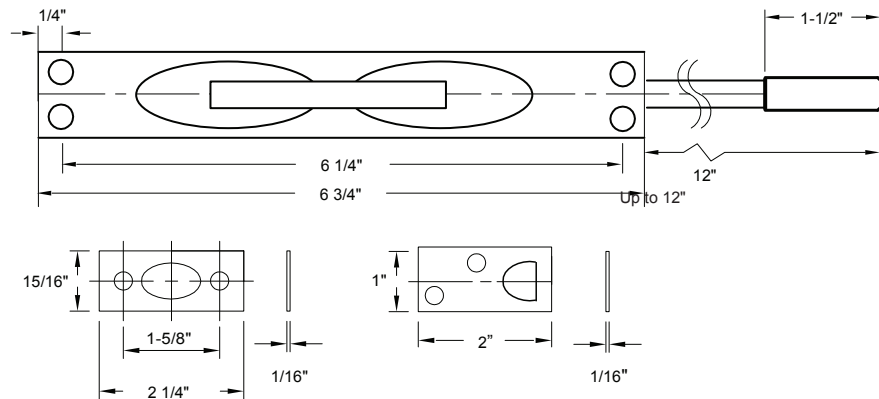
MORTISE IN FLUSH BOLT 7" SLIDE TYPE



Base Metal: Zinc

	Description	Finish	Item No.	List Price	CTN QTY	WT/CTN
	Mortise In Flush Bolt 7" (Slide Type)	US15	410107	\$24.60	25	7 lb
	Mortise In Flush Bolt 7" (Slide Type)	US10B	410112	\$27.60	25	7 lb
	Strike Plate Only for Mortise In Flush Bolt	US15	481401	\$1.00	1000	22 lbs
	Strike Plate Only for Mortise In Flush Bolt	US10B	481400	\$1.00	1000	22 lbs

MORTISE IN EXTENSION FLUSH BOLT

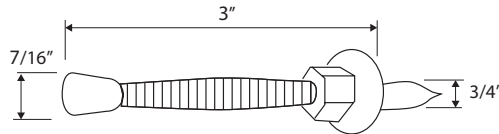



Base Metal: Zinc

	Description	Finish	Item No.	List Price	CTN QTY	WT/CTN
	Mortise in Extension Flush Bolt 1" x 7"	US26D	436302	\$29.00	25	7 lb
	Mortise in Extension Flush Bolt 1" x 7"	US10B	436310	\$29.00	25	7 lb

SPRING DOOR STOP

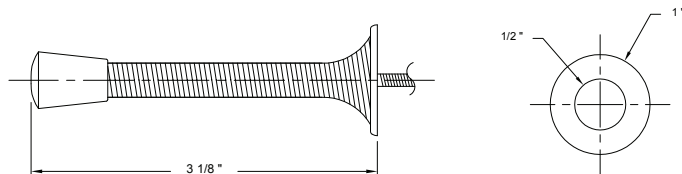
Base Metal: Zinc




	Description	Finish	Item No.	List Price	CTN QTY	WT/CTN
	Spring Door Stop 3"	US15	402102	\$0.85	1000	40 lbs
	Spring Door Stop 3" w/ Matte Black Tip	US10B	402100	\$0.85	1000	40 lbs

JUMBO SPRING DOOR STOP

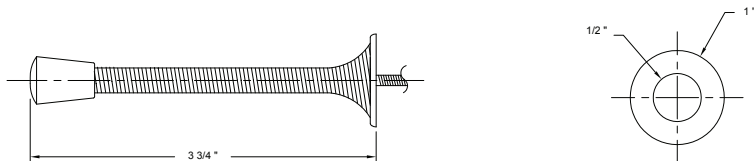
Base Metal: Zinc




	Description	Finish	Item No.	List Price	CTN QTY	WT/CTN
	Jumbo Spring Door Stop 3"	US3	402511	\$1.05	500	33 lbs
	Jumbo Spring Door Stop 3"	US5	402519	\$1.20	500	33 lbs
	Jumbo Spring Door Stop 3"	US26	402516	\$1.20	500	33 lbs
	Jumbo Spring Door Stop 3"	US15	402518	\$1.20	500	33 lbs
	Jumbo Spring Door Stop 3" w/ Matte Black Tip	US15A	402517	\$1.20	500	33 lbs
	Jumbo Spring Door Stop 3" w/ Matte Black Tip	US10B	402510	\$1.30	500	33 lbs
	Jumbo Spring Door Stop 3" w/ Matte Black Tip	US19	402514	\$1.60	500	33 lbs

3-3/4" SPRING DOOR STOP

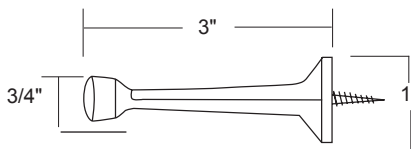
Base Metal: Zinc




	Description	Finish	Item No.	List Price	CTN QTY	WT/CTN
	Spring Door Stop 3 3/4"	US15	402118	\$1.30	500	37 lbs
	Spring Door Stop 3 3/4" w/ Matte Black Tips	US15A	402113	\$1.30	500	37 lbs
	Spring Door Stop 3 3/4" w/ Matte Black Tips	US10B	402108	\$1.40	500	37 lbs

HD RIGID DOOR STOP

Base Metal: Zinc

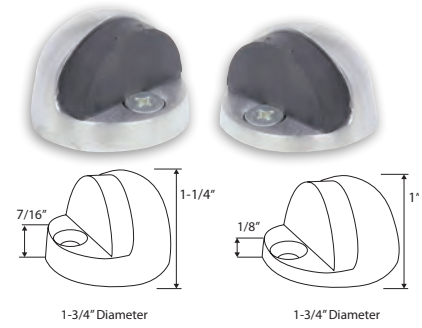


	Description	Finish	Item No.	List Price	CTN QTY	WT/CTN
	H.D. Rigid Door Stop 3"	US3	402150	\$1.60	250	24 lbs
	H.D. Rigid Door Stop 3"	US26	402170	\$1.90	250	24 lbs
	H.D. Rigid Door Stop 3" w/ Matte Black Tips	US15A	402185	\$1.90	250	24 lbs
	H.D. Rigid Door Stop 3"	US15	402190	\$1.90	250	24 lbs
	H.D. Rigid Door Stop 3" w/ Matte Black Tips	US10B	402175	\$2.15	250	24 lbs
	H.D. Rigid Door Stop 3" w/ Matte Black Tips	US19	402195	\$2.25	250	24 lbs
	920 Solid Brass Door Stop US15	US15	BV920001	\$16.00	250	24 lbs
	920 Solid Brass Door Stop US10B	US10B	BV920002	\$16.00	250	24 lbs
	920 Solid Brass Door Stop US26	US26	BV920003	\$16.00	250	24 lbs

DOMESTOP

Base Metal: Zinc

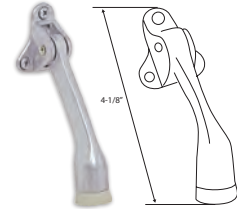
Description	Finish	Item No.	List Price	CTN QTY	WT/CTN
Dome Stop Low Profile (1/8" Clearance)	US26D	412614	\$7.00	25	10 lb
Dome Stop Low Profile (1/8" Clearance)	US10B	412615	\$7.00	25	10 lb
Dome Stop High Profile (7/16" Clearance)	US26D	402604	\$8.30	25	12 lb
Dome Stop High Profile (7/16" Clearance)	US10B	402605	\$8.30	25	12 lb



DROP DOWN DOOR HOLDER

Base Metal: Zinc

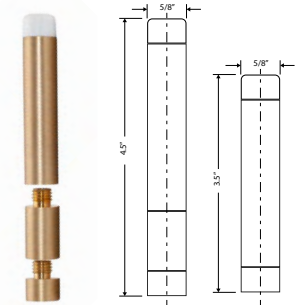
Description	Finish	Item No.	List Price	CTN QTY	WT/CTN
Drop Down Door Holder	US26D	402806	\$9.30	15	12 lb



3-1/2" / 4-1/2" ADJUSTABLE BRASS DOOR STOP

Base Metal: Brass

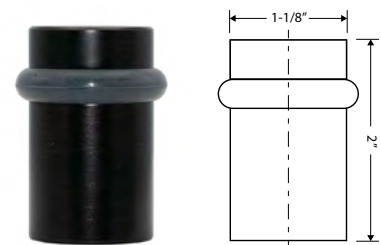
Description	Finish	Item No.	List Price	CTN QTY	WT/CTN
Solid Brass Adjustable Base Board Stop	US10B	402010	\$26.00	10	5 lb
Solid Brass Adjustable Base Board Stop	US15	402015	\$26.00	10	5 lb
Solid Brass Adjustable Base Board Stop	US26	402016	\$26.00	10	5 lb
Solid Brass Adjustable Base Board Stop	US4	402017	\$26.00	10	5 lb
Solid Brass Adjustable Base Board Stop	US19	402019	\$26.00	10	5 lb



2" ROUND BRASS FLOOR BUMPER

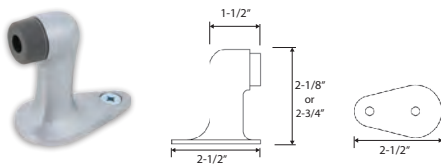
Base Metal: Brass

Description	Finish	Item No.	List Price	CTN QTY	WT/CTN
Solid Brass Round Floor Bumper	US10B	402910	\$28.00	60	35 lbs
Solid Brass Round Floor Bumper	US15	402905	\$28.00	60	35 lbs
Solid Brass Round Floor Bumper	US26	402906	\$28.00	60	35 lbs
Solid Brass Round Floor Bumper	US4	402917	\$28.00	60	35 lbs
Solid Brass Round Floor Bumper	US19	402919	\$28.00	60	35 lbs



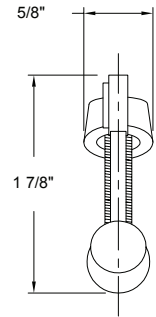
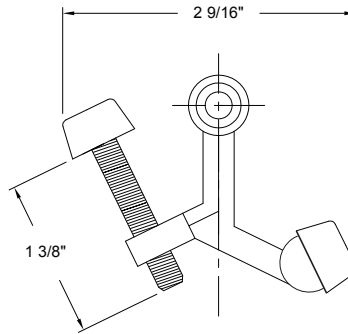
BRASS GOOSE NECK DOOR STOP

Base Metal: Brass



Description	Finish	Item No.	List Price	CTN QTY	WT/CTN
Gooseneck Door Stop 2 1/8"	US26D	401187	\$24.00	4	3 lb
Gooseneck Door Stop 2 1/8"	US10B	401180	\$24.00	4	3 lb
Gooseneck Door Stop 2 3/4"	US26D	401340	\$27.00	4	3 lb
Gooseneck Door Stop 2 3/4"	US10B	401347	\$27.00	4	3 lb
921 1 3/8" Solid Brass Floor Stop US15	US15	BV921001	\$19.00	100	15 lb
921 1 3/8" Solid Brass Floor Stop US10B	US10B	BV921002	\$19.00	100	15 lb
921 1 3/8" Solid Brass Floor Stop US26	US26	BV921003	\$19.00	100	15 lb
922 2 3/4" Solid Brass Floor Stop US15	US15	BV922001	\$27.90	100	15 lb
922 2 3/4" Solid Brass Floor Stop US10B	US10B	BV922002	\$27.90	100	15 lb
922 2 3/4" Solid Brass Floor Stop US26	US26	BV922003	\$27.90	100	15 lb

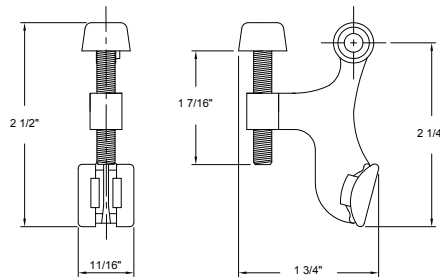
HEAVY DUTY HINGE PIN DOOR STOP



Base Metal: Zinc

	Description	Finish	Item No.	List Price	CTN QTY	WT/CTN
	H.D. Hinge Pin Door Stop	US3	402300	\$1.50	500	42 lbs
	H.D. Hinge Pin Door Stop	US26	402500	\$1.60	500	42 lbs
	H.D. Hinge Pin Door Stop w/ Matte Black Tips	US15A	402600	\$1.60	500	42 lbs
	H.D. Hinge Pin Door Stop	US15	402601	\$1.60	500	42 lbs
	H.D. Hinge Pin Door Stop w/ Matte Black Tips	US10B	402310	\$1.80	500	42 lbs
	H.D. Hinge Pin Door Stop w/ Matte Black Tips	US19	402602	\$2.90	500	42 lbs

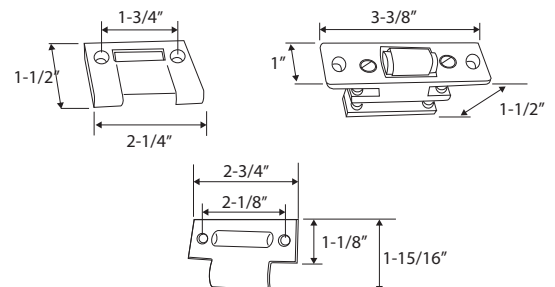
HALF LEAF HINGE PIN DOOR STOP



Base Metal: Zinc

	Description	Finish	Item No.	List Price	CTN QTY	WT/CTN
	Half Leaf Hinge Pin Door Stop	US15	402452	\$2.60	100	13 lb
	Half Leaf Hinge Pin Door Stop w/ Matte Black Tips	US10B	402459	\$2.60	100	13 lb
	Half Leaf Hinge Pin Door Stop	US19	402454	\$2.60	100	13 lb

HEAVY DUTY BRASS JUMBO ROLLER CATCH



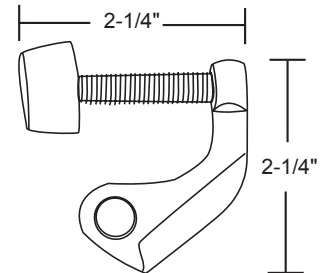
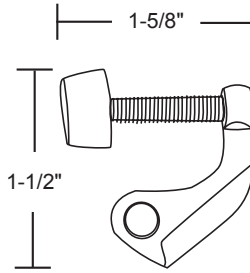
Base Metal: Brass

	Description	Finish	Item No.	List Price	CTN QTY	WT/CTN
	Heavy Duty Jumbo Roller Catch	US26D	420706	\$39.00	15	8 lb
	Heavy Duty Jumbo Roller Catch	US10B	420710	\$39.00	15	8 lb

DELANEY® TRIM HARDWARE

DOOR SAVER HINGE PIN DOOR STOP

DOOR SAVER

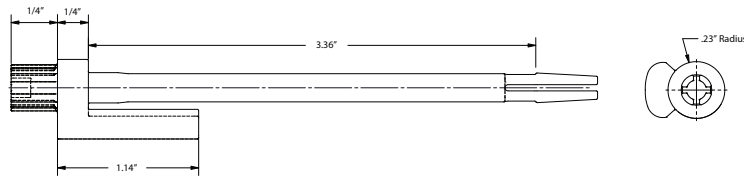


Base Metal: Zinc

	Description	Finish	Item No.	List Price	CTN QTY	WT/CTN
	Door Saver Hinge Pin Door Stop	US3	402200	\$2.70	100	8 lb
	Door Saver Hinge Pin Door Stop	US5	402201	\$2.70	100	8 lb
	Door Saver Hinge Pin Door Stop	US26	402202	\$2.70	100	8 lb
	Door Saver Hinge Pin Door Stop	US15A	402203	\$2.70	100	8 lb
	Door Saver Hinge Pin Door Stop	US15	402204	\$2.70	100	8 lb
	Door Saver Hinge Pin Door Stop	US10B	402199	\$2.70	100	8 lb
	Door Saver Hinge Pin Door Stop	US1	402198	\$2.70	100	8 lb
	Door Saver Hinge Pin Door Stop	US19	402196	\$2.70	100	8 lb
	Commercial Door Saver	US3	401220	\$6.10	100	10 lb
	Commercial Door Saver	US26	401202	\$6.10	100	10 lb
	Commercial Door Saver	US15	401204	\$6.10	100	10 lb
	Commercial Door Saver	US10B	401199	\$6.10	100	10 lb

DOOR SAVER 2 HINGE PIN DOOR STOP

DOOR SAVER II



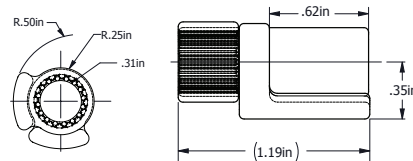
Base Metal: Zinc

	Description	Finish	Item No.	List Price	CTN QTY	WT/CTN
	Door Saver II Hinge Pin Door Stop	US3	402303	\$8.00	100	10 lb
	Door Saver II Hinge Pin Door Stop	US26	402304	\$8.00	100	10 lb
	Door Saver II Hinge Pin Door Stop	US15	402301	\$8.00	100	10 lb
	Door Saver II Hinge Pin Door Stop	US10B	402302	\$8.00	100	10 lb
	Door Saver II Hinge Pin Door Stop	US19	402306	\$8.00	100	10 lb

With adjustable swing angle Replaces existing pin from hinge

DOOR SAVER 3 HINGE PIN DOOR STOP

DOOR SAVER III

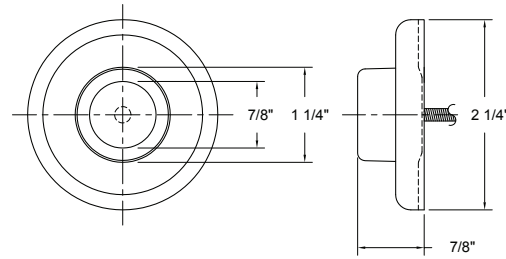


Base Metal: Zinc

	Description	Finish	Item No.	List Price	CTN QTY	WT/CTN
	Door Saver III Hinge Pin Door Stop	US3	402404	\$7.25	100	10 lb
	Door Saver III Hinge Pin Door Stop	US15	402434	\$7.25	100	10 lb
	Door Saver III Hinge Pin Door Stop	US10B	402436	\$7.25	100	10 lb
	Door Saver III Hinge Pin Door Stop	US19	402496	\$7.25	100	10 lb
	Door Saver III Hinge Pin Door Stop	US26	402433	\$7.25	100	10 lb

With max adjustable swing angle of 160°

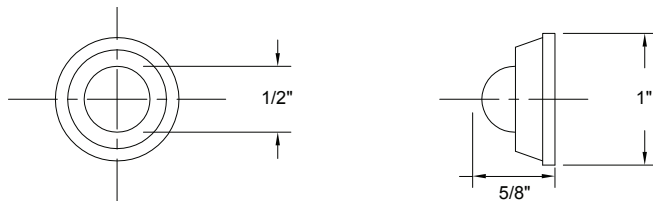
2 1/4" CONCAVE WALL BUMPER



Base Metal: Zinc

	Description	Finish	Item No.	List Price	CTN QTY	WT/CTN
	2 1/4" Wall Bumper	US26D	402707	\$6.65	25	6 lb
	2 1/4" Wall Bumper	US15	402708	\$6.65	25	6 lb
	2 1/4" Wall Bumper	US10B	402710	\$6.65	25	6 lb

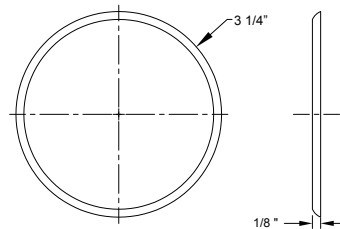
1" CONVEX WALL BUMPER



Base Metal: Zinc

	Description	Finish	Item No.	List Price	CTN QTY	WT/CTN
	1" Wall Bumper	US26D	403015	\$6.00	100	7 lb
	1" Wall Bumper	US10B	403010	\$6.00	100	7 lb

KNOB PROTECTOR PLATE



Base Material: Plastic

	Description	Finish	Item No.	List Price	CTN QTY	WT/CTN
	3" Knob Protector Plate (Self Adhesive)	US1	457701	\$4.00	100	5 lb

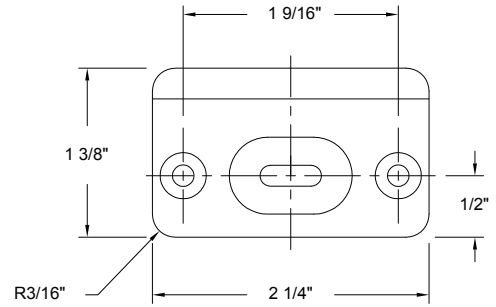
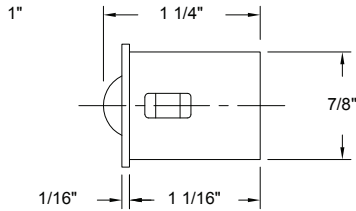
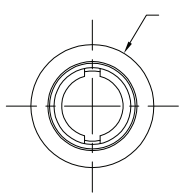
HOLE PLATE COVER

Base Material: Metal

	Description	Finish	Item No.	List Price	CTN QTY	WT/CTN
	2-1/8" Hole Plate Cover*	USP	2310011	\$6.00	10	2 lb

*Can be painted

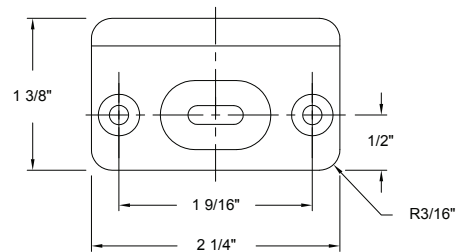
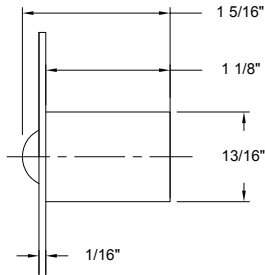
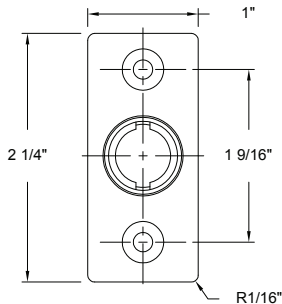
DRIVE-IN BALL CATCH



Base Metal: Zinc

	Description	Finish	Item No.	List Price	CTN QTY	WT/ CTN
	Drive-In Ball Catch 2 1/4" x 1"	US3	420103	\$5.60	50	8 lb
	Drive-In Ball Catch 2 1/4" x 1"	US26	420107	\$5.80	50	8 lb
	Drive-In Ball Catch 2 1/4" x 1"	US15	420109	\$5.80	50	8 lb
	Drive-In Ball Catch 2 1/4" x 1"	US10B	420110	\$6.30	50	8 lb
	Drive-In Ball Catch 2 1/4" x 1"	US19	420111	\$6.30	50	8 lb
	Strike Plate Only for Ball Catch	US3	480303	\$1.00	100	10 lb
	Strike Plate Only for Ball Catch	US26	480306	\$1.00	100	10 lb
	Strike Plate Only for Ball Catch	US15	480315	\$1.00	100	10 lb
	Strike Plate Only for Ball Catch	US10B	480300	\$1.00	100	10 lb

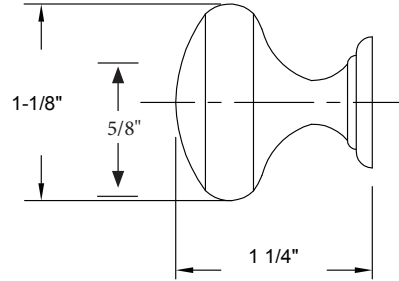
MORTISE BALL CATCH




Base Metal: Zinc

	Description	Finish	Item No.	List Price	CTN QTY	WT/ CTN
	Mortise Ball Catch 2 1/4" x 1"	US3	420100	\$5.90	50	8 lb
	Mortise Ball Catch 2 1/4" x 1"	US15	420400	\$6.15	50	8 lb
	Mortise Ball Catch 2 1/4" x 1"	US10B	420401	\$6.80	50	8 lb

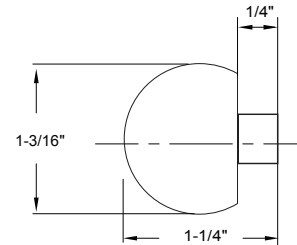
SOLID BRASS CABINET KNOB



Base Metal: Brass

	Description	Finish	Item No.	List Price	CTN QTY	WT/ CTN
	Cabinet Knob Solid Brass	US15	437015	\$10.60	20	5 lb
	Cabinet Knob Solid Brass	US10B	437010	\$10.60	20	5 lb

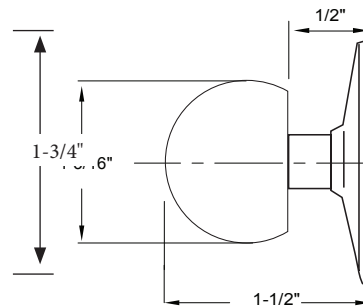
BI-FOLD DOOR KNOB



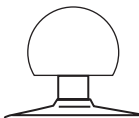
Base Metal: Zinc

	Description	Finish	Item No.	List Price	CTN QTY	WT/ CTN
	Bi-Fold Door Knob	US15	430102	\$3.70	25	5 lb

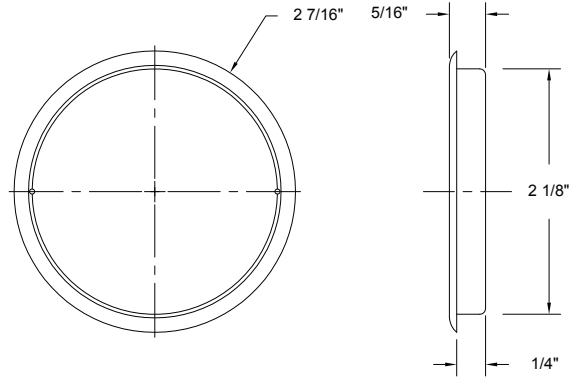
BI-FOLD DOOR KNOB with BACK PLATE



Base Metal: Zinc

	Description	Finish	Item No.	List Price	CTN QTY	WT/ CTN
	Bi-Fold Door Knob with Back Plate	US15	435102	\$6.10	25	6 lb

DRIVE-IN FINGER PULL



Base Metal: Zinc

	Description	Finish	Item No.	List Price	CTN QTY	WT/ CTN
	Drive-in Finger Pull 2-1/8" Diameter	US15	400515	\$1.60	150	10 lb
	Drive-in Finger Pull 2-1/8" Diameter	US10B	400910	\$1.60	150	10 lb

TEMPORARY DOOR LATCH

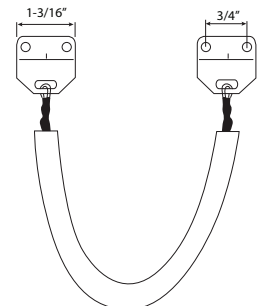


Base Material: Plastic

Fits 2-1/8" Bore
Adjustable for 2-3/8" or 2-3/4" Backset

	Description	Finish	Item No.	List Price	CTN QTY	WT/ CTN
	Temporary Door Latch "The Blue Thing"	Plastic	410000	\$3.80	100	3 lb

CHAIN DOOR STOP W/ VINYL COVER

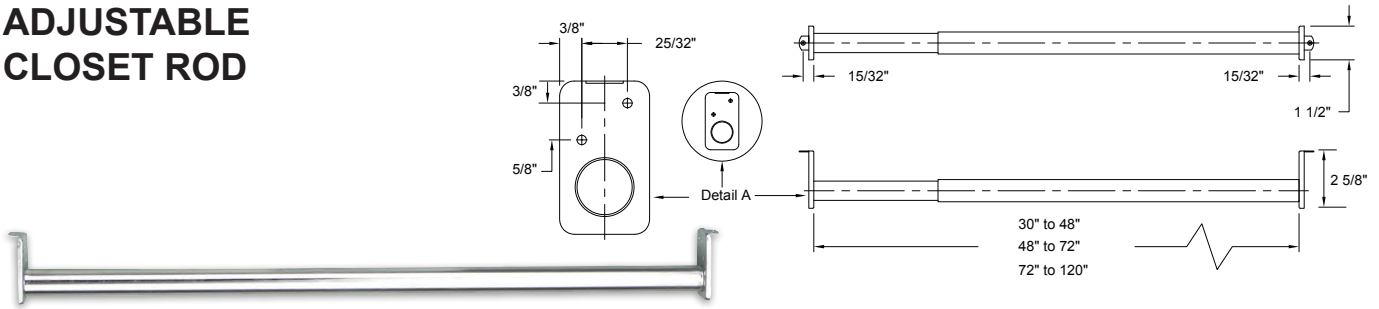


18" Chain Length

Base Metal: Zinc

	Description	Finish	Item No.	List Price	CTN QTY	WT/ CTN
	Chain Door Stop with Vinyl Cover	Zinc	474304	\$5.90	10	4 lb

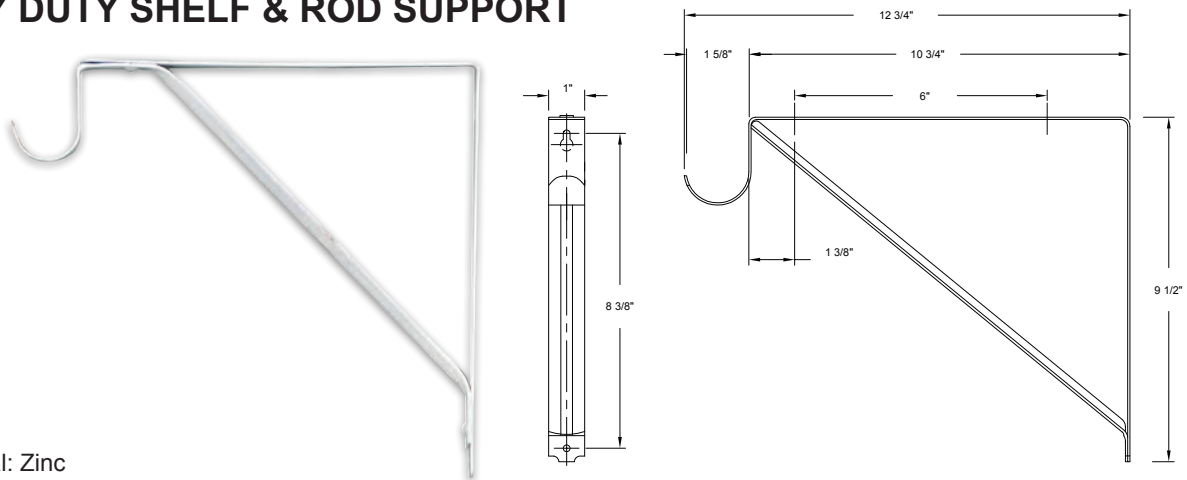
ADJUSTABLE CLOSET ROD



Base Metal: Zinc

	Description	Finish	Item No.	List Price	CTN QTY	WT/CTN
	30" - 48" Adjustable Closet Rod	Zinc Plate	463048	\$11.00	10	18 lb
	48" - 72" Adjustable Closet Rod	Zinc Plate	464872	\$15.00	10	24 lb
	72" - 120" Adjustable Closet Rod	Zinc Plate	469620	\$27.00	10	28 lb

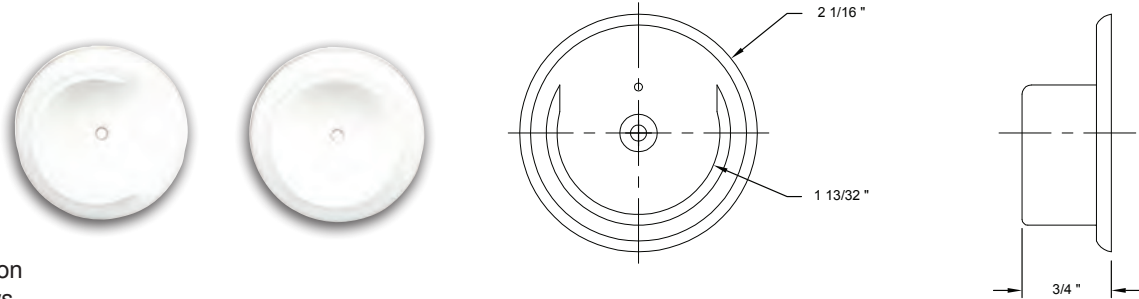
HEAVY DUTY SHELF & ROD SUPPORT



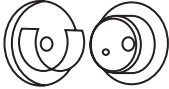
Base Metal: Zinc

	Description	Finish	Item No.	List Price	CTN QTY	WT/CTN
	H.D. Shelf & Rod Support (Sold in carton quantities only)	US1	474700	\$4.00	20	20 lb
	H.D. Adjustable Shelf Support Bracket	US1	474800	\$3.30	20	20 lb

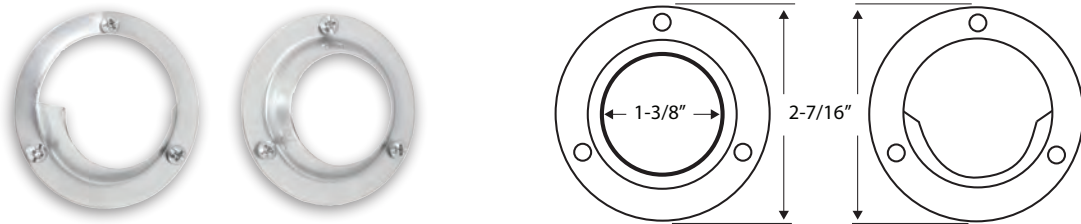
PLASTIC CLOSET POLE SOCKET



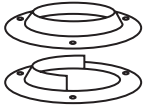
Base Material: Nylon
Comes wiith screws

	Description	Finish	Item No.	List Price	CTN QTY	WT/ CTN
	Plastic Closet Pole Socket (White)	US1	407400	\$1.00	25 Pair	5 lb

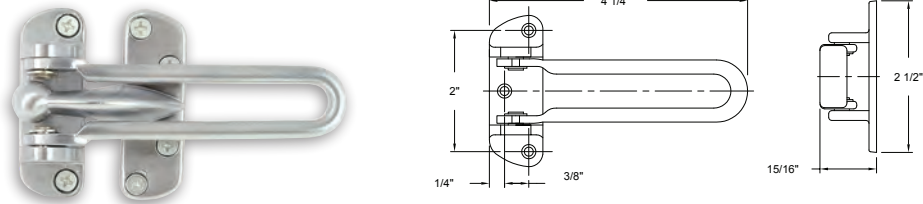
METAL CLOSET POLE SOCKET



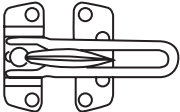
Base Metal: Zinc
Comes wiith screws

	Description	Finish	Item No.	List Price	CTN QTY	WT/ CTN
	Metal Closet Pole Socket	US3	407403	\$3.00	50 Pair	6 lb
	Metal Closet Pole Socket	US26D	407406	\$3.00	50 Pair	6 lb

SAFETY DOOR GUARD



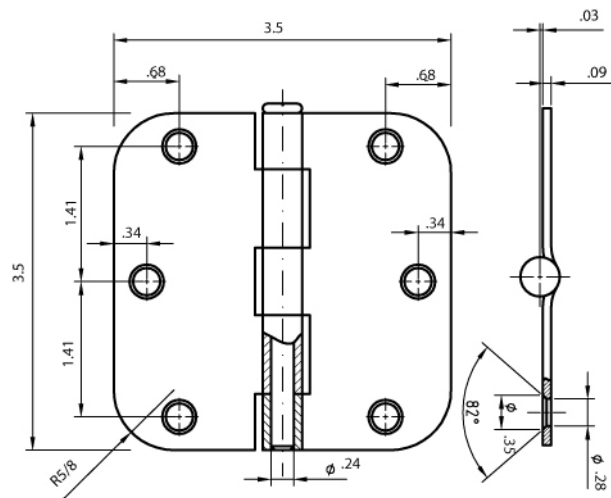
Base Metal: Zinc

	Description	Finish	Item No.	List Price	CTN QTY	WT/ CTN
	Safety Door Guard (Ball Bearing)	US26D	465800	\$12.25	20	8 lb

3 1/2" X 3 1/2" BULK RESIDENTIAL HINGES INTERIOR

SPECIFICATIONS

- #9 X 3/4" wood screws supplied
- #9 x 1" wood screws additional
- #9 x 2" wood screws additional
- Gauge 0.087" Steel
- Bulk packaged 50 pair / CTN, 45 lbs.
- Priced and sold by the pair (2 Hinges)



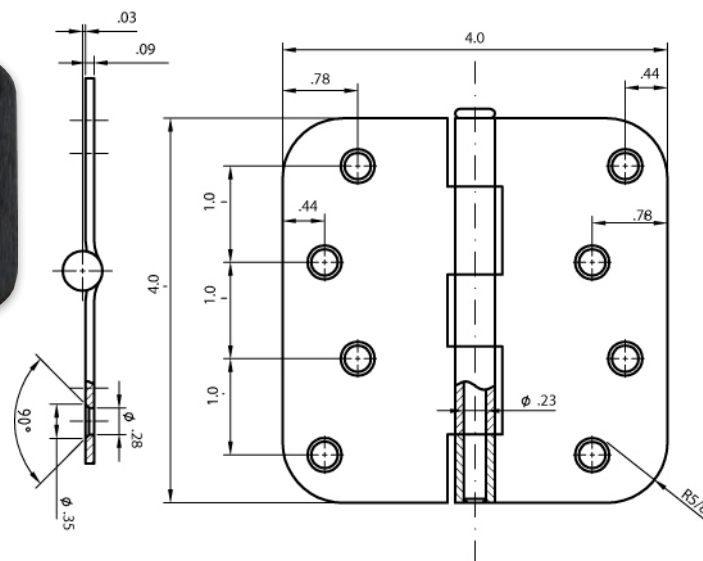
Base Metal: Steel

Radius		USP Prime Coat	US4 Satin Brass	US26S Satin Chrome	US3 Bright Brass	US5 Antique Brass	US26D Satin Chrome	US26 Bright Chrome	US15A Antique Nickel	US10B Oil Rubbed Bronze	US15 Satin Nickel	US19 Matte Black
5/8"	Item No.	RH3500	RH3504	RH3508	RH3503	RH3505	RH3506	RH3507	RH3509	RH3510	RH3515	RH3519
	List Price	\$3.65	\$6.10	\$6.10	\$6.10	\$6.10	\$6.10	\$6.10	\$6.10	\$6.10	\$6.10	\$6.10

4" X 4" BULK RESIDENTIAL HINGES EXTERIOR

SPECIFICATIONS

- #9 X 1" wood screws supplied
- #9 x 3/4" wood screws additional
- #9 x 2" wood screws additional
- Gauge 0.087" Steel
- Bulk packaged 50 pair / CTN, 50 lbs
- Priced and sold by the pair (2 Hinges)



Base Metal: Steel

Radius		US4 Satin Brass	US3 Bright Brass	US5 Antique Brass	US26D Satin Chrome	US26 Bright Chrome	US15A Antique Nickel	US10B Oil Rubbed Bronze	US15 Satin Nickel	US19 Matte Black
5/8"	Item No.	RH4504	RH4503	RH4505	RH4506	RH4507	RH4509	RH4510	RH4515	RH4519
	List Price	\$7.35	\$7.35	\$7.35	\$7.35	\$7.35	\$7.35	\$7.35	\$7.35	\$7.35
5/8" NRP	Item No.	—	—	—	RH4530	—	—	RH4531	—	—
	List Price				\$12.25			\$12.25		

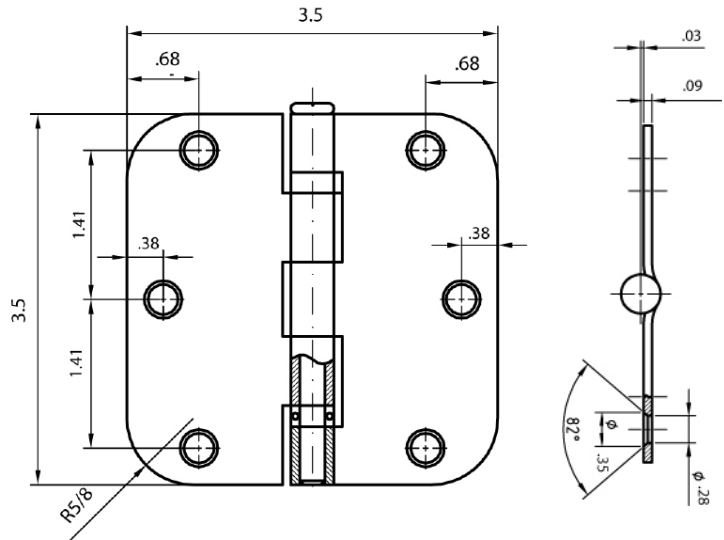
3 1/2" X 3 1/2" RESIDENTIAL BALL BEARING HINGES



SPECIFICATIONS

- #9 x 1" wood screws supplied
- #9 x 2" wood screws additional
- Gauge 0.087" Steel
- Bulk packaged 50 pair / CTN, 45 lbs.
- Priced and sold by the pair (2 Hinges)

Base Metal: Steel



Description	Radius	US3	US10B	US15	
		Bright Brass	Oil Rubbed Bronze	Satin Nickel	
3 1/2" x 3 1/2" Ball Bearing Hinge	5/8"	Item No.	RH6503	RH6510	RH6515
		List Price	\$10.55	\$10.55	\$10.55

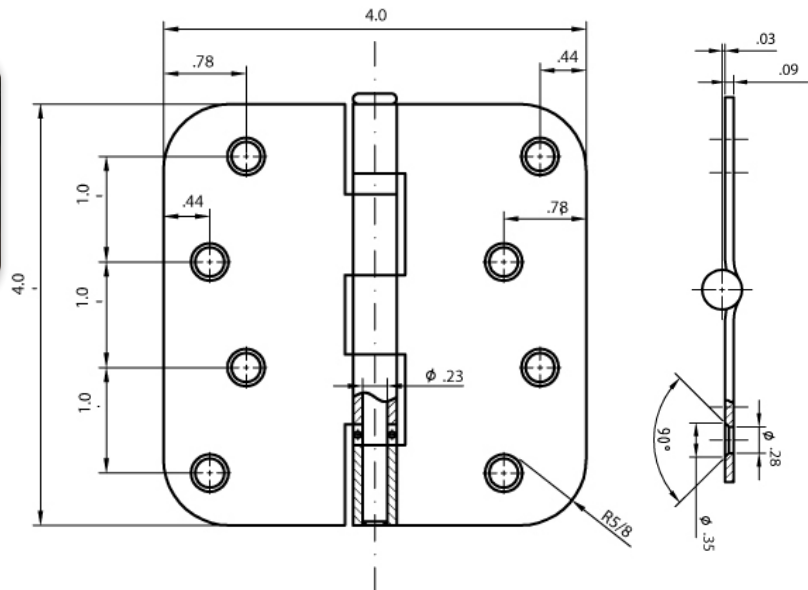
4" X 4" RESIDENTIAL BALL BEARING HINGES



SPECIFICATIONS

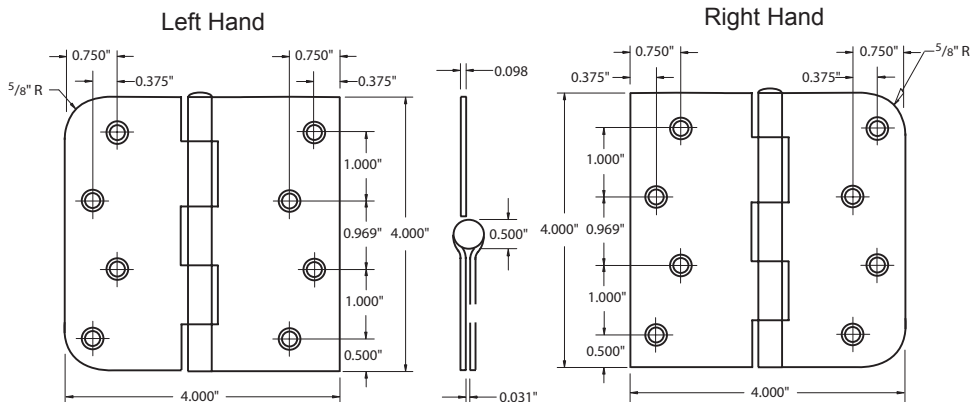
- #9 X 1" wood screws supplied
- #9 x 2" wood screws additional
- Gauge 0.087" Steel
- Bulk packaged 50 pair / CTN, 50 lbs.
- Priced and sold by the pair (2 Hinges)

Base Metal: Steel



Description	Radius	US3	US10B	US15	
		Bright Brass	Oil Rubbed Bronze	Satin Nickel	
4" x 4" Ball Bearing Hinge	5/8"	Item No.	RH7503	RH7510	RH7515
		List Price	\$12.15	\$12.15	\$12.15

4" x 4" 5/8R x SQ HINGES FOR CASTLEGATE



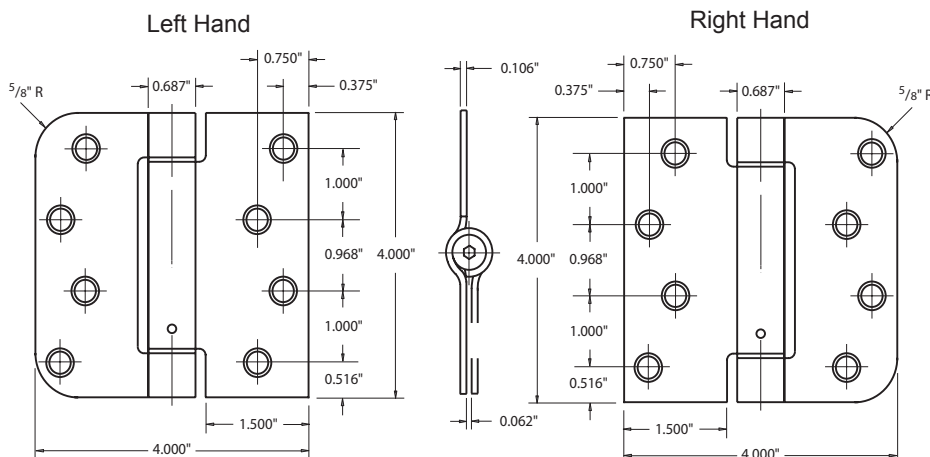
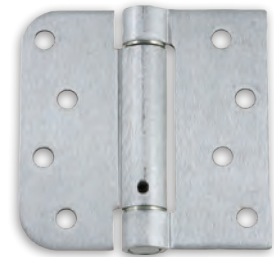
SPECIFICATIONS

- #10 X 1/2" machine screw (10-24NC) standard (8 pcs).
- #10 x 3/4" wood screw standard (16 pcs)
- Gauge 0.106" Steel
- Bulk packaged 50 Pair / CTN, 50 lbs
- Specify LH or RH
- Priced & sold by the pair (2 Hinges)

Base Metal: Steel

Description	Radius	US15	US26D	US10B	
		Satin Nickel	Satin Chrome	Oil Rubbed Bronze	
4" x 4" Hinge for Castlegate	5/8" x SQ	Item No.	RH4054 (R/L)	RH4056 (R/L)	RH4059 (R/L)
		List Price	\$7.30	\$7.30	\$7.30

4" X 4" 5/8R x SQ SPRING HINGE FOR CASTLEGATE



SPECIFICATIONS

- #10 X 1/2" machine screw (10-24NC) standard (8 pcs)
- #10 x 3/4" wood screw standard (16 pcs)
- Box Pack: 1Pair (2 pcs) per box.
20 Pair / CTN, 28 Lbs
- Gauge: 0.106" Steel
- Specify LH or RH
- Priced & sold by the pair (2 Hinges)

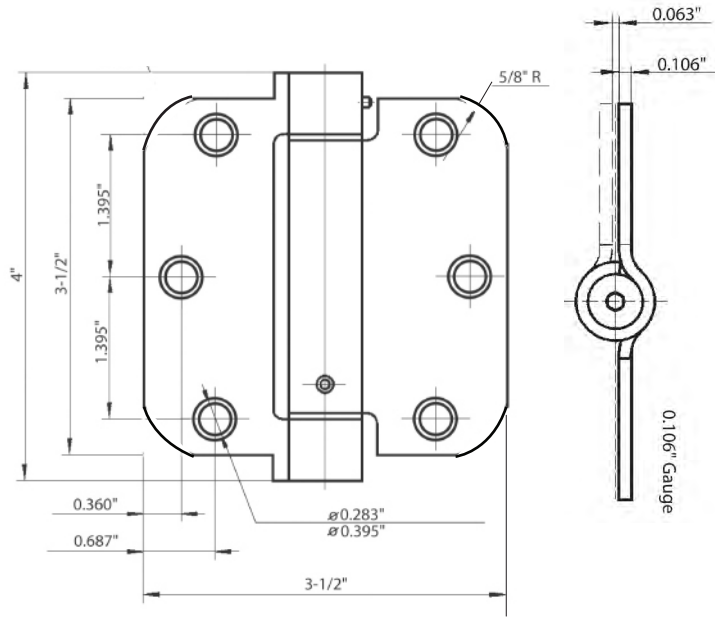
Base Metal: Steel

Description	Radius	US26D	
		Satin Chrome	
4" x 4" Spring Hinge for Castlegate	5/8" x SQ	Item No.	SP4056R / SP4056L
		List Price	\$29.20

3 1/2" X 3 1/2" SPRING HINGES

SPECIFICATIONS

- #10 X 1/2" machine screw (10-24NC) standard
- #10 x 1" wood screw standard
- Box Pack: 1 Pair (2 pcs) per box.
20 Pair / CTN, 28 Lbs
- Gauge: 0.106" Steel
- Priced and sold by the pair (2 Hinges)



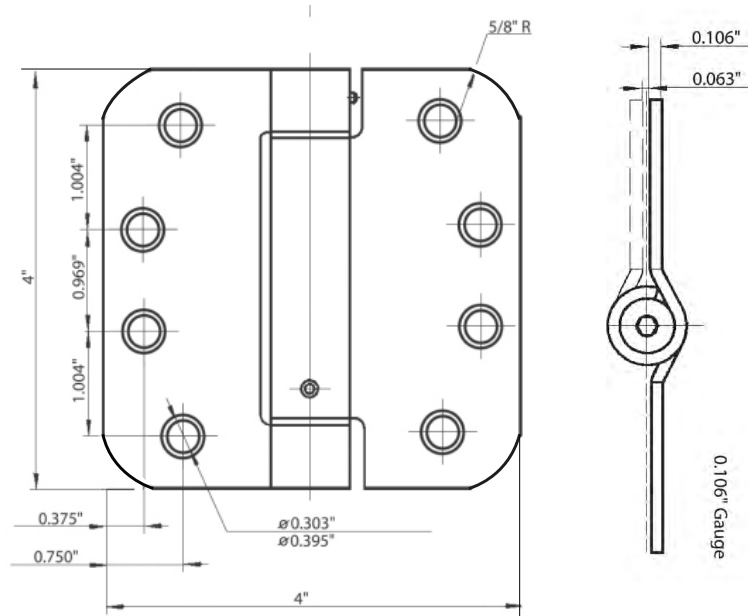
UL LISTED Base Metal: Steel

Description	Radius	US26D Satin Chrome		US10B Oil Rubbed Bronze	
		Item No.	SP3506	SP3510	SP3510
3 1/2" x 3 1/2" Spring Hinge	5/8"	List Price	\$27.55	\$27.55	\$27.55

4" X 4" SPRING HINGES

SPECIFICATIONS

- #10 X 1/2" machine screw (10-24NC) standard
- #10 x 1" wood screw standard
- Box Pack: 1 Pair (2 pcs) per box
20 Pair / CTN, 32 Lbs
- Gauge: 0.106" Steel
- Priced and sold by the pair (2 Hinges)



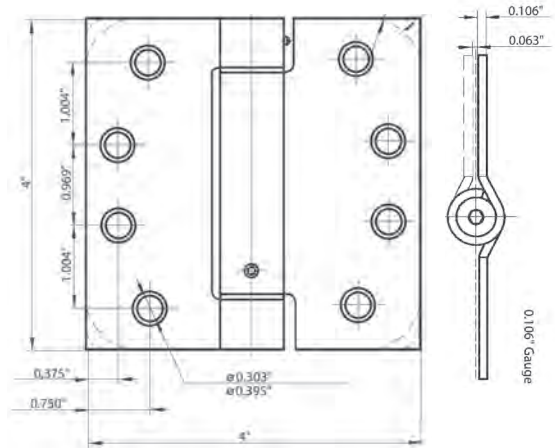
UL LISTED Base Metal: Steel

Description	Radius	US26D Satin Chrome		US10B Oil Rubbed Bronze	
		Item No.	SP4506	SP4510	SP4510
4" x 4" Spring Hinge	5/8"	List Price	\$30.80	\$30.80	\$30.80

4" X 4" SPRING HINGES

SPECIFICATIONS

- #10 X 1/2" machine screw (10-24NC) standard.
- #10 x 1" wood screw standard.
- Box Pack: 1 Pair (2 pcs) per box.
20 Pair / CTN, 32 Lbs
- Gauge: 0.106" Steel
- Priced and sold by the pair (2 Hinges)



UL LISTED Base Metal: Steel

Description	US26D Satin Chrome		US10B Oil Rubbed Bronze	
	4" x 4" Spring Hinge	Item No.	SP4106	Item No.
	List Price	\$30.80	List Price	\$30.80

RESIDENTIAL HINGE SCREWS



PRICING (Per 100 Screws)

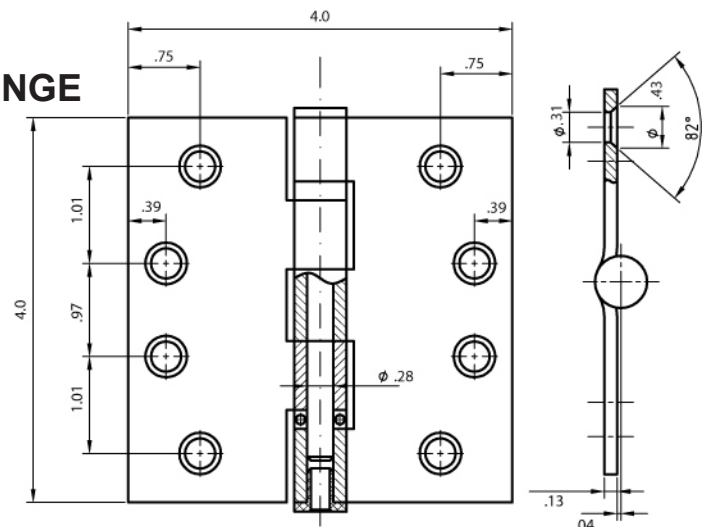
Self Tapping Wood Screw

Description	Size	US4	USP	US3	US5	US26D	US26	US15A	US10B	US15	BL	
Self Tapping Screws	#9 x 3/4"	Item No.	109034	—	139034	159034	169034	179034	189034	199034	199534	199520
		List Price	\$8.00		\$8.00	\$8.00	\$8.00	\$8.00	\$8.00	\$8.00	\$8.00	\$8.00
Self Tapping Screws	#9 x 1"	Item No.	109010	119010	139010	159010	169010	179010	189010	199010	199510	199521
		List Price	\$11.00	\$11.00	\$11.00	\$11.00	\$11.00	\$11.00	\$11.00	\$11.00	\$11.00	\$11.00

BALL BEARING 4" X 4" COMMERCIAL HINGE

SPECIFICATIONS

- #10 X 1/2" Machine screws (12-24NC) standard
- #10 x 1 1/4" Wood screws standard
- Gauge 0.13" Steel
- Box packed 1.5 pair (3 pcs) per box.
15 Pair / CTN, 20 Lbs
- Priced per pair (2 Hinges)
- Base Metal is Steel

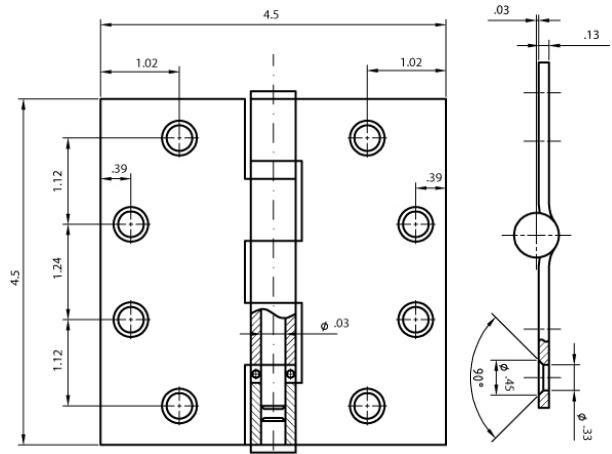


Description	US26D Satin Chrome		US10B Oil Rubbed Bronze	
	4" x 4" Ball Bearing Hinge	Item No.	CH4016	Item No.
	List Price	\$18.00	List Price	\$18.00
4" x 4" Ball Bearing Hinge NRP (Non-Removable Pin)	Item No.	CN4016	Item No.	CN4012
	List Price	\$25.00	List Price	\$25.00

BALL BEARING 4 1/2" X 4 1/2" COMMERCIAL HINGE

SPECIFICATIONS

- #10 X 1/2" Machine screws (12-24NC) standard
- #10 x 1/4" Wood screws standard
- Gauge 0.134" Steel
- Box packed 1.5 pair (3 pcs) per box
15 Pair / CTN, 34 Lbs
- Priced per pair (2 Hinges)
- Base Metal is Steel or Satin Stainless Steel

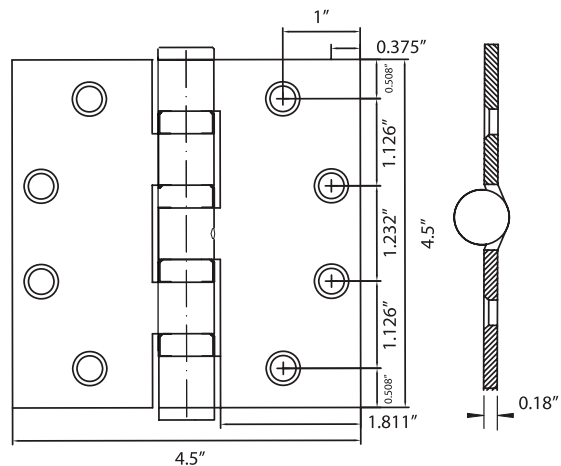


Description		US26D Satin Chrome	US10B Oil Rubbed Bronze	US32D Satin Stainless Steel	US19 Matte Black
4 1/2" x 4 1/2" Ball Bearing Hinge	Item No.	CH4516	CH4512	CH4510	CH4519
	List Price	\$22.00	\$22.00	\$28.00	\$22.00
4 1/2" x 4 1/2" Ball Bearing Hinge NRP (Non-Removable Pin)	Item No.	CN4516	CN4512	CN4510	CN4519
	List Price	\$29.00	\$29.00	\$29.00	\$29.00

HEAVY DUTY BALL BEARING 4 1/2" X 4 1/2" COMMERCIAL HINGE

SPECIFICATIONS

- #10 x 1/2" Machine Screws (12-24NC) standard
- #10 x 1 1/4" Wood Screws standard
- Gauge 0.18" Steel
- Box packed 1.5 pair (3 pcs) per box
15 Pair / CTN, 34 Lbs
- Priced per pair (2 Hinges)
- Base Metal is Steel



Description		US26D Satin Chrome
4 1/2" x 4 1/2" Heavy Duty Ball Bearing Hinge	Item No.	CH4516
	List Price	\$22.00



COMMERCIAL

Leversets

- Grade 1 Cylindrical Levers
- Grade 2 Cylindrical Levers
- Grade 2 Tubular Levers

Deadbolts

- Grade 1
- Grade 2

Exit Devices

- 9000 Series
- 8000 Series
- 9000/8000 Series Exterior Trim

Door Closers

- 8000 Series
- 6000 Series
- 4400 Series
- 3000 Series
- Parts

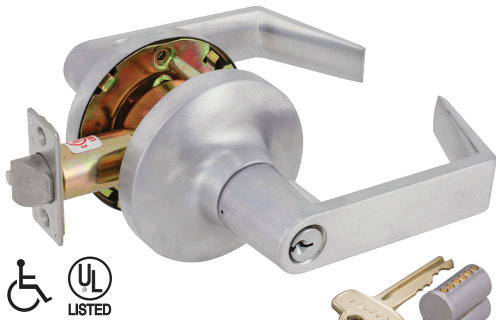
DELANEY® LEVERSETS GRADE 1

Specifications

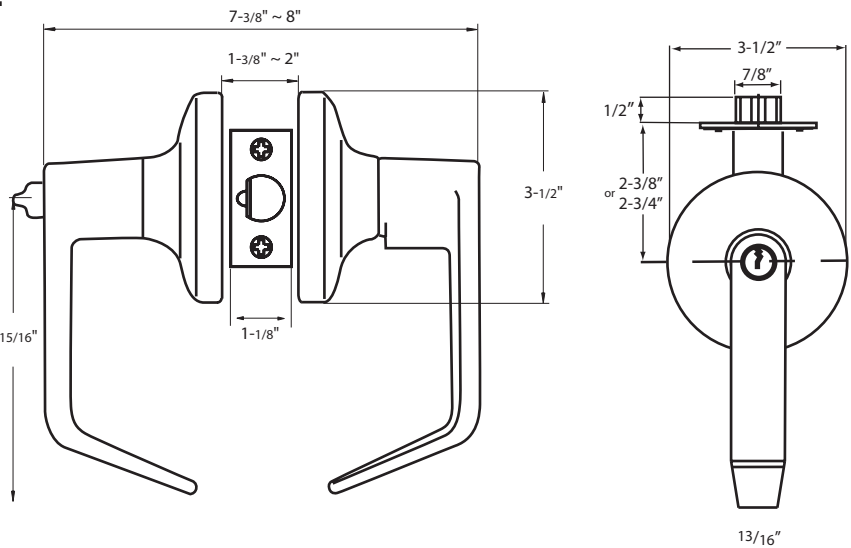
Door Prep	Cross bore: 2-1/8" Edge bore: 1" Latch face: 1-1/8" x 2-1/4" Dummies are surface mounted	Latches	Entrance: 2-3/4" (F9070T) standard. 2-3/8" (F9060T) optional Pass/Priv: 2-3/4" (F9073T) standard 2-3/8" (F9063T) optional Faceplate: 1-1/8" x 2-1/4" square corner Bolt: 1/2" Satin Stainless Steel throw. Meets 3-Hr. Fire Rating
Backset	2-3/4" UL Latch standard, 2-3/8" optional	Strikes	4-7/8" ANSI Strike standard (9109)
Door Thickness	1-3/8" ~ 2". Adjustable mounting plate	Door Handing	Not Required
Cylinder	SC4 6-pin standard , KW1 5-pin optional Entries packed KA2, SC1 5-pin optional	Interchangeable Core	Optional small-format 6-pin available
ANSI & Federal Standards	<ul style="list-style-type: none"> Meets & exceeds requirements of BHMA/ANSI A156.2 Series 4000, GR1, 800,000 Cycles. Meets FF-H-106C Federal Standard. 	Product Features	Independent Torsion Spring Concealed Mounting Screws Clutch Function Removable Through Bolts Anti-Friction Latch Retractor Panic Proof - Push/Turn

F SERIES - CT LEVER STYLE GRADE 1 EXTRA HEAVY DUTY CYLINDRICAL LEVERSET

Shown in Satin Chrome



(SFIC) Interchangeable Core Available

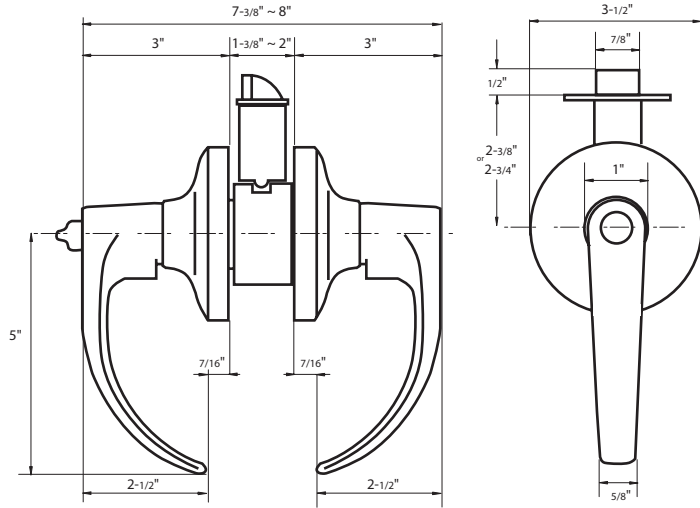


Model	Function	WT/LB	CTN QTY	Standard Cylinder		IC Core (Less Core)		
				US26D Satin Chrome	US10B Oil Rubbed Bronze	US26D Satin Chrome	US10B Oil Rubbed Bronze	
500-F-CT	Entrance	32 lb	6 Pcs	Item No.	3C6002	3C6000	3K6002	3K6000
				List Price	\$207.00	\$217.00	\$207.00	\$217.00
504-F-CT	Storeroom	32 lb	6 Pcs	Item No.	3C6042	3C6040	3K6042	3K6040
				List Price	\$212.00	\$223.00	\$212.00	\$223.00
509-F-CT	Classroom	32 lb	6 Pcs	Item No.	3C6092	3C6090	3K6092	3K6090
				List Price	\$212.00	\$223.00	\$212.00	\$223.00
501-F-CT	Passage	30 lb	6 Pcs	Item No.	3C6012	—		
				List Price	\$187.00			
502-F-CT	Privacy	31 lb	6 Pcs	Item No.	3C6022	—		
				List Price	\$189.00			
515-F-CT	Dummy	15 lb	6 Pcs	Item No.	3C6052	—		
				List Price	\$107.00			

DELANEY® LEVERSETS GRADE 1

F SERIES - SD LEVER STYLE GRADE 1 EXTRA HEAVY DUTY CYLINDRICAL LEVERSET

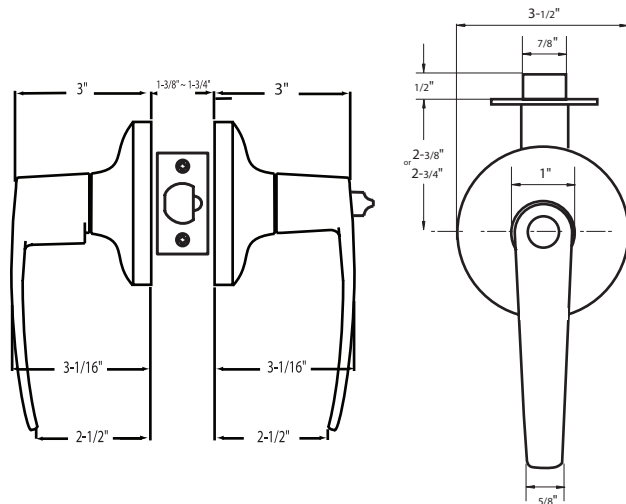
Shown in Satin Chrome



Model	Function	WT/LB	CTN QTY	US26D Satin Chrome	
500-F-SD	Entrance	32 lb	6 Pcs	Item No.	3C5002
				List Price	\$207.00
504-F-SD	Storeroom	32 lb	6 Pcs	Item No.	3C5042
				List Price	\$212.00

F SERIES - MD LEVER STYLE GRADE 1 EXTRA HEAVY DUTY CYLINDRICAL LEVERSET

Shown in Satin Chrome



Model	Function	WT/LB	CTN QTY	US26D Satin Chrome	
500-F-MD	Entrance	32 lb	6 Pcs	Item No.	3N5002
				List Price	\$207.00
504-F-MD	Storeroom	32 lb	6 Pcs	Item No.	3N5042
				List Price	\$212.00

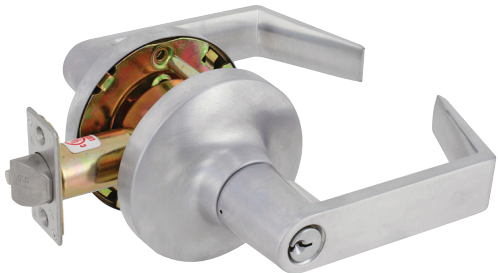
DELANEY® LEVERSETS GRADE 2

Specifications

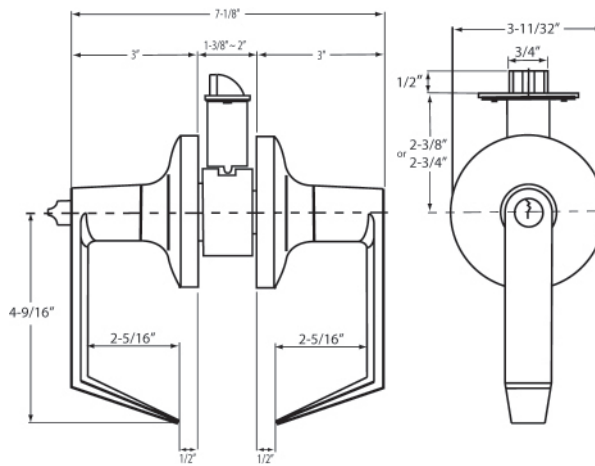
Door Prep	Cross bore: 2-1/8" Edge bore: 1" Latch face: 2-3/4": 1-1/8" x 2-1/4" 2-3/8": 1" x 2-1/4" Dummies are surface mounted	Latches	Entrance: 2-3/4" (E9070T) standard. 2-3/8" (E9060T) optional Pass/Priv: 2-3/4" (E9073T) standard. 2-3/8" (E9063T) optional Faceplate: 2-3/4": 1-1/8" x 2-1/4". 2-3/8": 1" x 2-1/4" Sq. Corner Bolt: 1/2" Stainless Steel throw. Meets 3-Hr. Fire Rating
Backset	2-3/4" UL Latch standard, 2-3/8" optional	Strikes	4-7/8" ANSI Strike standard (9109)
Door Thickness	1-3/8" ~ 2". Adjustable mounting plate		
Cylinder	SC4 6-pin standard , KW1 5-pin optional Entries packed KA2, SC1 5-pin optional	Interchangeable Core	Optional small-format 6-pin available
ANSI & Federal Standards	Meets & exceeds requirements of BHMA/ANSI A156.2 Series 4000, GR2, 400,000 Cycles. Meets FF-H-106C Federal Standard.	Product Features	Independent Torsion Spring Concealed Mounting Screws Clutch Function Removable Through Bolts Anti-Friction Latch Retractor Panic Proof - Push/Turn

E SERIES - CT LEVER STYLE GRADE 2 HEAVY DUTY CYLINDRICAL LEVERSET

Shown in Satin Chrome



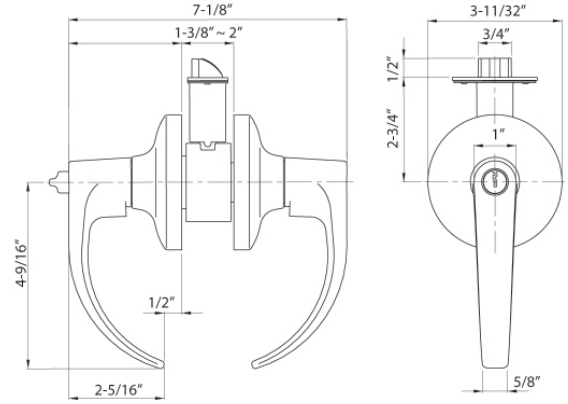
(SFIC) Interchangeable Core Available



Model	Function	WT/LB	CTN QTY	Standard Cylinder		IC Core (Less Core)	
				US26D Satin Chrome	US26D IC Core Satin Chrome	US26D Satin Chrome	US26D IC Core Satin Chrome
500-E-CT	Entrance	29 lb	6 Pcs	Item No.	3V5002	3V5102	3V5102
				List Price	\$135.00	\$135.00	\$135.00
504-E-CT	Storeroom	29 lb	6 Pcs	Item No.	3V5042	3V5142	3V5142
				List Price	\$142.00	\$142.00	\$142.00
509-E-CT	Classroom	29 lb	6 Pcs	Item No.	3V5092	3V5192	3V5192
				List Price	\$142.00	\$142.00	\$142.00
501-E-CT	Passage	26 lb	6 Pcs	Item No.	3V5012		
				List Price	\$112.00		
502-E-CT	Privacy	28 lb	6 Pcs	Item No.	3V5022		
				List Price	\$115.00		
515-E-CT	Dummy	18 lb	12 Pcs	Item No.	3V5052		
				List Price	\$55.00		

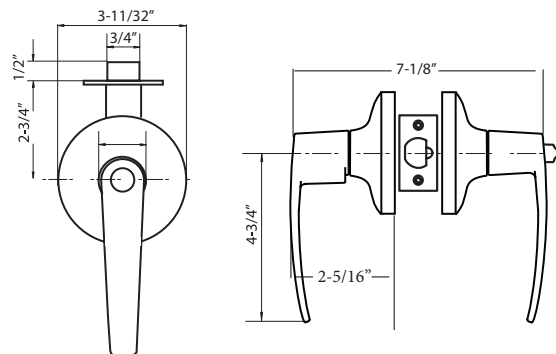
E SERIES - SD LEVER STYLE GRADE 2 HEAVY DUTY CYLINDRICAL LEVERSET

Shown in Satin Chrome



				Standard Cylinder	IC Core (Less Core)
Model	Function	WT/LB	CTN QTY	US26D Satin Chrome	US26D IC Core Satin Chrome
500-E-SD	Entrance	29 lb	6 Pcs	Item No.	3S5002
				List Price	\$135.00
504-E-SD	Storeroom	29 lb	6 Pcs	Item No.	3S5042
				List Price	\$142.00
509-E-SD	Classroom	29 lb	6 Pcs	Item No.	3S5092
				List Price	\$142.00
501-E-SD	Passage	26 lb	6 Pcs	Item No.	3S5012
				List Price	\$112.00
502-E-SD	Privacy	26 lb	6 Pcs	Item No.	3S5022
				List Price	\$115.00
515-E-SD	Dummy	18 lb	12 Pcs	Item No.	3S5052
				List Price	\$55.00

E SERIES - MD LEVER STYLE GRADE 2 HEAVY DUTY CYLINDRICAL LEVERSET



Model	Function	WT/LB	CTN QTY	US26D Satin Chrome	US19 Matte Black
500-E-MD	Entrance	29 lb	6 Pcs	Item No.	3M5002
				List Price	\$135.00
504-E-MD	Storeroom	29 lb	6 Pcs	Item No.	3M5042
				List Price	\$142.00
509-E-MD	Classroom	29 lb	6 Pcs	Item No.	3M5092
				List Price	\$142.00
501-E-MD	Passage	26 lb	6 Pcs	Item No.	3M5012
				List Price	\$112.00
502-E-MD	Privacy	26 lb	6 Pcs	Item No.	3M5022
				List Price	\$115.00
515-E -MD	Dummy	18 lb	12 Pcs	Item No.	3M5052
				List Price	\$55.00

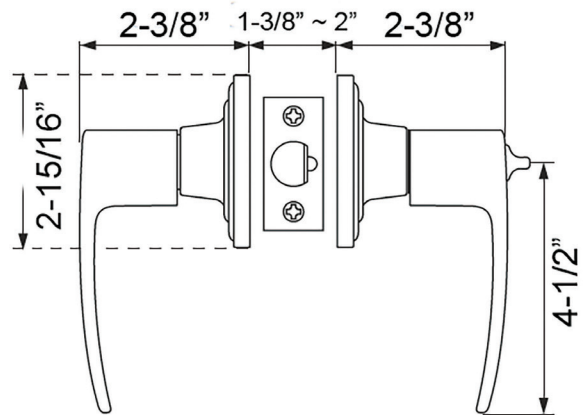
DELANEY® LEVERSETS GRADE 2

Specifications

Door Prep	Cross bore: 2-1/8" Edge bore: 1" Latch face: 1" x 2-1/4"	Latches	Entrance: 2-3/8" & 2-3/4" adjustable (9060 UL) Passage/Privacy: 2-3/8" & 2-3/4" adjustable (9064) Faceplate: 1" x 2-1/4" round corner Bolt: 1/2" throw. Meets 3-Hr Fire Rating
Backset	Adjustable 2-3/8" and 2-3/4"	Strikes	1-1/8" x 2-3/4" T-strike (9101)
Door Thickness	1-3/8" ~ 2"	Door Handing	Not Required
Cylinder	SD/MD: SC4 6-pin standard . KW1 5-pin optional Entries packed KA2, SC1 5-pin optional	Product Features	Concealed Mounting Screws Protective Sleeve Interlocking Screw Posts Push Button Locking Panic Proof
ANSI & Federal Standards	Meets requirements of BHMA/ANSI A156.2 Series 4000, GR2, 400,000 Cycles.		

RH SERIES - MD LEVER STYLE GRADE 2 MEDIUM TUBULAR LEVERSET

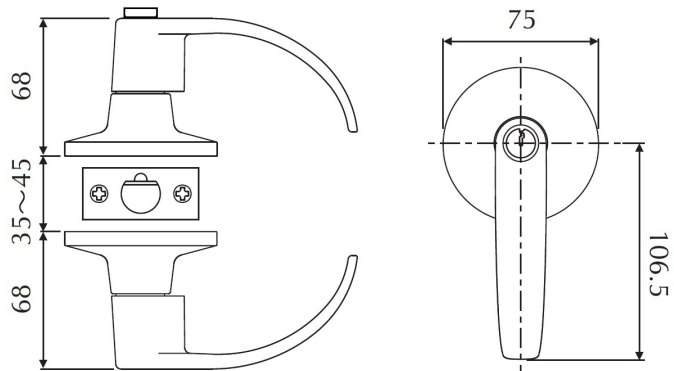
Shown in Satin Chrome



Model	Function	WT/LB	CTN QTY	US26D Satin Chrome	
500-RH-MD	Entrance	29 lb	10 Pcs	Item No.	321522
				List Price	\$100.00
504-RH-MD	Storeroom	29 lb	10 Pcs	Item No.	326522
				List Price	\$107.00
509-RH-MD	Classroom	29 lb	10 Pcs	Item No.	329522
				List Price	\$107.00
501-RH-MD	Passage	26 lb	10 Pcs	Item No.	324522
				List Price	\$92.00
502-RH-MD	Privacy	26 lb	10 Pcs	Item No.	322522
				List Price	\$94.00
515-RH-MD	Dummy	18 lb	20 Pcs	Item No.	325522
				List Price	\$44.00

RH SERIES - SD STYLE GRADE 2 MEDIUM TUBULAR LEVERSET

Shown in Satin Chrome



Model	Function	WT/LB	CTN QTY	US26D Satin Chrome	
500-RH-SD	Entrance	29 lb	10 Pcs	Item No.	371322
				List Price	\$100.00
504-RH-SD	Storeroom	29 lb	10 Pcs	Item No.	376322
				List Price	\$107.00
509-RH-SD	Classroom	29 lb	10 Pcs	Item No.	379322
				List Price	\$107.00
501-RH-SD	Passage	26 lb	10 Pcs	Item No.	374322
				List Price	\$92.00
502-RH-SD	Privacy	26 lb	10 Pcs	Item No.	372322
				List Price	\$94.00
515-RH-SD	Dummy	18 lb	20 Pcs	Item No.	375322
				List Price	\$44.00

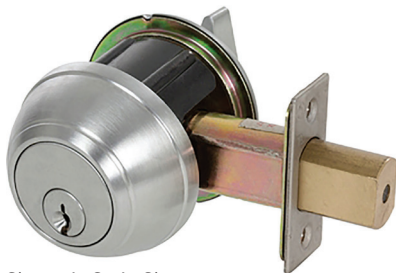
DELANEY® DEADBOLTS GRADE 1

Specifications

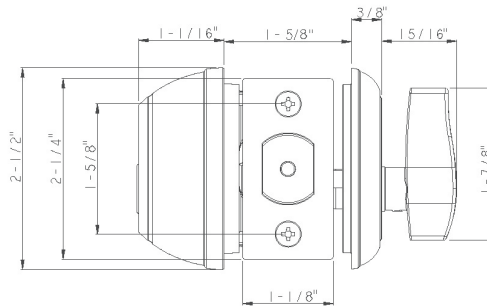
Door Prep	Cross bore: 2-1/8" Edge bore: 1" Latch face: 2-3/4: 1-1/8" x 2-1/4". 2-3/8": 1" x 2-1/4"	Latches	Deadbolt: 2-3/4" (9058) standard, 2-3/8" (9057) optional Faceplate: 2-3/4: 1-1/8" x 2-1/4". 2-3/8" 1" x 2-1/4" Sq. Corner Bolt: Full 1" throw. 3 Hr. Fire Rating
Backset	2-3/4" UL Latch standard, 2-3/8" optional	Strikes	1-1/8" x 2-1/4" (9121). Includes reinforcement plate
Door Thickness	1-9/16" ~ 2" door standard	Screws	Combination screws that suit both wood or metal door mounting Includes 3" Security Screws
Interchangeable Core	Optional small-format 6-pin available	Product Features	Protection Sleeve Hardened Steel Rod Latch Insert Free Spinning Cylinder Collar

LM SERIES GRADE 1 HEAVY DUTY DEADBOLTS

LM - SINGLE CYLINDER (200)



Shown in Satin Chrome



LM IC - SINGLE CYLINDER (200) - IC CORE

Shown in Satin Chrome

Model	Function	WT/LB	CTN QTY	US26D Satin Chrome	US26D IC Core (Less Core)
200-LM	Single Cylinder with Thumbturn	21 lb	12 Pcs	Item No.	301601
				List Price	\$96.00
					301702
					\$96.00



(SFIC) Interchangeable
Core Available

Model	Function	WT/LB	CTN QTY	US26D Satin Chrome
Core Only	6-Pin SFIC Core Only	2 lb	10 Pcs	Item No.
				List Price
				300600C
				\$41.00

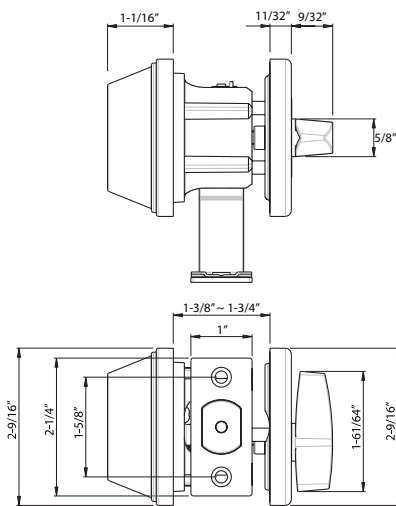
DELANEY® DEADBOLTS GRADE 2

Specifications

Door Prep	Cross bore: 2-1/8" Edge bore: 1" Latch face: 1" x 2-1/4"	Latches	Deadbolt: 2-3/8" & 2-3/4" adjustable (9091 UL) Faceplate: 1" x 2-1/4" square corner Bolt: Full 1" throw. 3-Hr. Fire Rating
Backset	Fits 2-3/8" and 2-3/4"	Strikes	1-1/8" x 2-3/4" (9111). Includes reinforcement plate
Door Thickness	1-3/8" ~ 1-3/4" door standard	Door Handing	Not Required
Cylinder	SC4 6-pin standard . KW1 5-pin optional Deadbolts packed KA2, SC1 5-pin optional	Screws	Combination screws that suit both wood or metal door mounting Includes 3" Security Screws
Interchangeable Core	Optional small-format 6-pin available	Product Features	Protection Sleeve Free Spinning Cylinder Collar Hardened Steel Rod Latch Insert

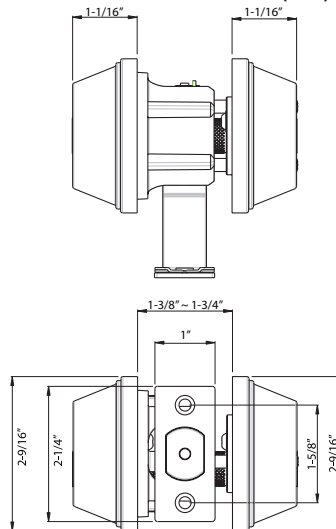
LU SERIES - GRADE 2 DEADBOLTS

LU - SINGLE CYLINDER (200)

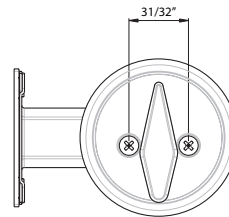
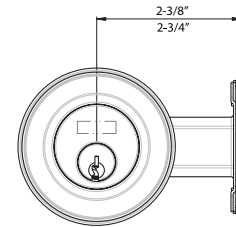


LU - SINGLE CYLINDER (200)
Shown in Satin Stainless Steel

LU - DOUBLE CYLINDER (210)

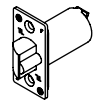
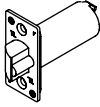
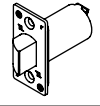
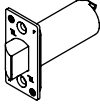
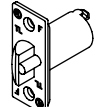
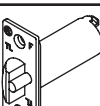
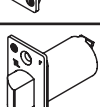
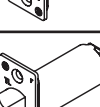

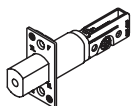
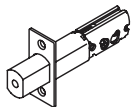


LU - DOUBLE CYLINDER (210)
Shown in Satin Chrome



Model	Function	WT/LB	CTN QTY		US26D Satin Chrome	US32D Satin Stainless Steel	US19 Matte Black
200-LU	Single Cylinder with Thumbturn	21 lb	20 Pcs	Item No.	300602	300601	300610
				List Price	\$57.00	\$60.00	\$63.00
210-LU	Double Cylinder	34 lb	20 Pcs	Item No.	320602	320601	320610
				List Price	\$62.00	\$65.00	\$68.00

COMMERCIAL LATCHES

Model	Function	Description	CTN QTY	WT/CTN	Item No.	List Price	
 F9060T	G1 UL Latch for Entrance, Storeroom, Classroom	2 3/8" Backset US26D 2 3/8" Backset US10B	10 Pcs	6 Lbs	781311 781310	\$40.00 \$40.00	
 F9070T		2 3/4" Backset US26D 2 3/4" Backset US10B	10 Pcs	6 Lbs	781301 781300	\$40.00 \$40.00	
 F9063T	G1 UL Latch for Privacy, Passage	2 3/8" Backset US26D 2 3/8" Backset US10B	10 Pcs	6 Lbs	781331 781330	\$40.00 \$40.00	
 F9073T		2 3/4" Backset US26D 2 3/4" Backset US10B	10 Pcs	6 Lbs	781321 781320	\$40.00 \$40.00	
 E9060T	G2 UL Latch for Entrance, Storeroom, Classroom	2 3/8" Backset US26D 2 3/8" Backset US10B	10 Pcs	5 Lbs	781381 781380	\$20.00 \$20.00	
 E9070T		2 3/4" Backset US26D 2 3/4" Backset US10B	10 Pcs	5 Lbs	781341 781340	\$20.00 \$20.00	
 E9063T	G2 UL Latch for Privacy, Passage	2 3/8" Backset US26D 2 3/8" Backset US10B	10 Pcs	5 Lbs	781281 781280	\$20.00 \$20.00	
 E9073T		2 3/4" Backset US26D 2 3/4" Backset US10B	10 Pcs	5 Lbs	781241 781240	\$20.00 \$20.00	
 1180		Latch Front Adaptor (Convert 1" Width Latch Faceplate for 1-1/8" Wide Door Preps)	10 Pcs	1 Lbs	781101	\$2.00	
	9057	G1 UL Latch for Deadbolt	2-3/8" Backset US26D 2-3/8" Backset US10B	10 pcs	5 Lbs	781481 781480	\$40.00 \$40.00
	9058		2-3/4" Backset US26D 2-3/4" Backset US10B	10 Pcs	5 Lbs	781441 781440	\$40.00 \$40.00
 9091 UL	G2 UL Latch for Deadbolt	Adjustable Backset US26D Adjustable Backset US10B	10 Pcs	5 Lbs	781411 781410	\$20.00 \$20.00	

For faceplate dimensions see individual product specification tables.

COMMERCIAL STRIKES

	Model	Description	Item No.	List Price	CTN QTY	WT/CTN
	9106	T-TYPE STRIKE 2 3/4 X 1 1/8" US10B *Supplied Standard with RH Series	785050	\$3.00*	10 Pcs	2 lb
	9106	T-TYPE STRIKE 2 3/4" X 1 1/8" US32D *Supplied Standard with RH Series	785052	\$3.00*	10 Pcs	2 lb
	9109	9109 ASA STRIKE 1 1/4" X 4 7/8" US10B	785000	\$5.00*	10 Pcs	5 lb
	9109	9109 ASA STRIKE 1 1/4" X 4 7/8" US26D	785002	\$5.00*	10 Pcs	5 lb
	9111	1 1/8" X 2 3/4" DEADBOLT STRIKE US32D	2891112	\$3.00*	10 Pcs	2 lb
	9111	1 1/8" X 2 3/4" DEADBOLT STRIKE US19	2891110	\$3.00*	10 Pcs	2 lb

*Strike Plates do not include screws when purchased separately from locksets (Exception: #9109 does include screws.)

FUNCTION GUIDE LEVERSETS & DEADBOLTS

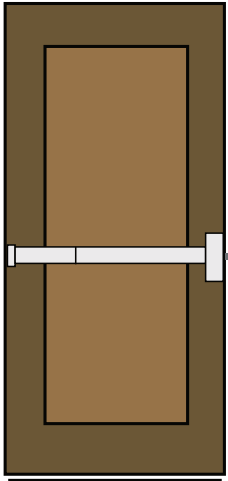
	500/100 ENTRANCE (ANSI F109) Pushing turn-button in inside lever locks outside lever. Turning inside lever or operating key in outside lever releases button automatically. Closing door does not release button. Button is fixed in the locked position by turning to horizontal position.		511/111 EXIT WITH KEY (ANSI F113) Blank plate inside. Locked or unlocked by key from outside.
	501/101 PASSAGE (ANSI F75) Latch bolt operated by lever or knob from either side at all times.		512 COMMUNICATING (ANSI F80) Key locks or unlocks either lever independently of the other.
	502/102 PRIVACY (ANSI F76) Latch bolt operated by lever from either side. Outside lever is locked by push button inside and unlocked by emergency release outside, rotating inside lever, or closing door.		514 INSTITUTION (ANSI F87) Both inside and outside lever always locked. Dead locking latch bolt operated by key on either side.
	504/104 STOREROOM (ANSI F86) Deadlocking latch bolt operated by key in outside lever or rotating inside lever. Outside lever is always locked.		515/115 SINGLE DUMMY Decorative trim that is non-functional.
	506/106 PATIO (ANSI F77) Operated by either side lever unless outside locked by push button inside. Unlocks by turning inside lever or closing door.		200 SINGLE CYLINDER deadbolt thrown or retracted by key on the outside or by inside turn unit. Bolt automatically deadlocks when thrown.
	507/107 EXIT NON-KEY (ANSI F111) Blank plate outside. Inside lever always unlocked.		210 DOUBLE CYLINDER Deadbolt thrown or retracted by key on either side. Bolt automatically deadlocks when full thrown.
	509/109 CLASSROOM (ANSI F84) Deadlocking latch bolt operated by key in outside lever or rotating inside lever. Outside lever locked or unlocked by key. Inside lever is always unlocked.		

Additional functions available by special request.

EXIT DEVICE APPLICATION GUIDE

STANDARD APPLICATIONS

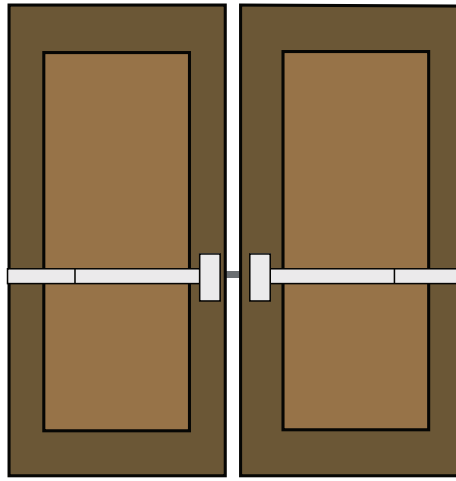
Single Door



Rim Type

8000/F8000 Series
9000/F9000 Series

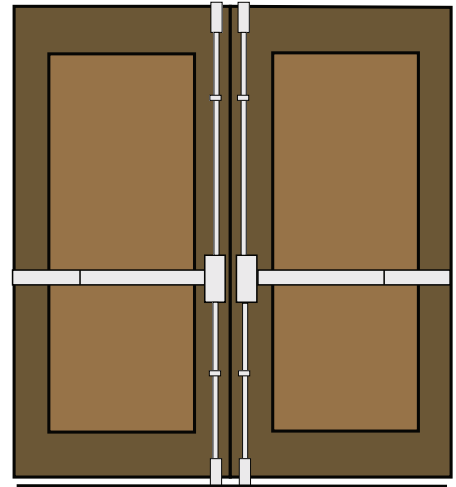
Double Door with Mullion



2 Rim Type

8000/F8000 Series
9000/F9000 Series

Double Door without Mullion

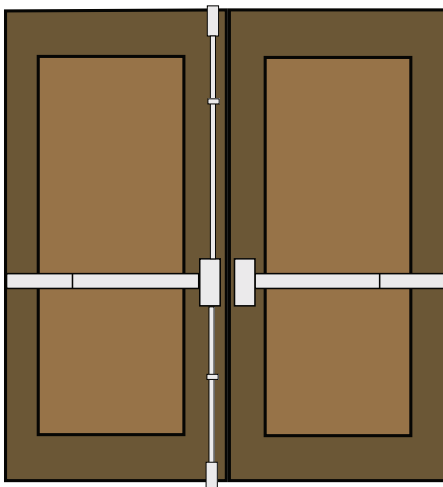


2 Vertical Rod Type

8100, F8100 Series, or F8100 LBR
9100, F9100 Series, or F9100 LBR
(Overlapping Strike & Door Coordinator Recommended)

SPECIALTY APPLICATIONS

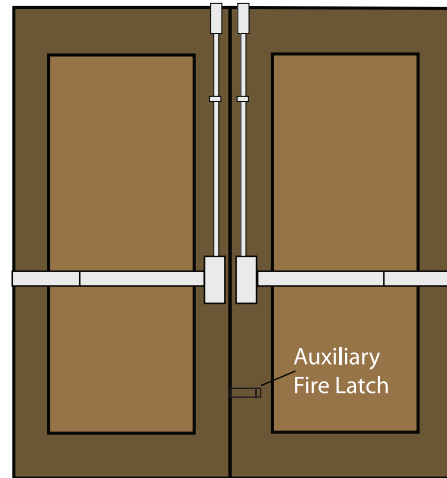
Double Door without Mullion



1 Vertical Rod, 1 Rim Type

8100, F8100, or F8100 LBR and 8000 or F8000 Series
9100, F9100, or F9100 LBR and 9000 or F9000 Series
*Must use 8285 Overlapping Door Strike

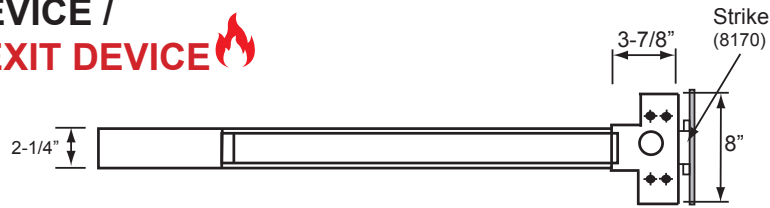
Double Door without Mullion



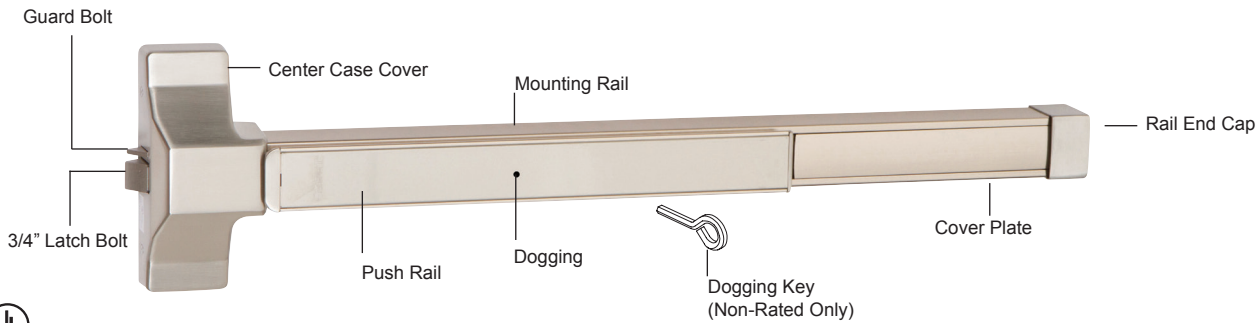
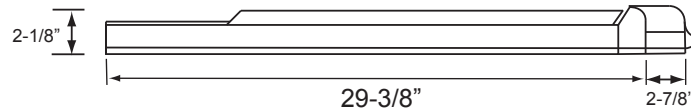
2 Vertical Rod Less Bottom Rod

F8100 LBR Series
F9100 LBR Series
*Must use Auxiliary Fire Latch

9000 SERIES RIM EXIT DEVICE / F9100 SERIES RIM FIRE EXIT DEVICE GRADE 1 HEAVY DUTY RIM TYPE EXIT DEVICES



Shown in Satin Stainless Steel



Specifications

**10 YEAR
WARRANTY**

Applications	Offices, Schools, Hospitals, Apartments, Hotel/ Motels & other Public Buildings	Mounting	Furnished standard with wood & machine screws Sex nuts and bolts (1346) optional
Door Thickness	1-3/4" ~ 2" standard, 2-1/4" optional	Latchbolt	Zinc with 3/4" throw
Door Size	33" to 36". Bar can be easily field cut to size	Latchbolt Spring	Satin Stainless Steel throughout
Stile Width	Rim: 4-1/2" minimum stile width required Vertical Rod: 3-1/2" minimum stile width required	Strike	9000 Series (Non-Rated) #8170 Steel Roller Strike 2-3/4" Backset Optional Strike #8070 for 2-3/8" Backset 4-7/8" Blank Strike & 161 Edge Filler
Mounting Rail, Cover Plate	Anodized Aluminum (US28) or Stainless Steel (US32D)		F9000 Series (Fire Rated) #8070 Steel Roller Strike — 2-3/4" or 2-3/8" Backset 4-7/8" Blank Strike & 161 Edge Filler
UL Listed	Complies with UL 305 standards. Listed for safety as Panic Hardware		
Rating	ANSI 156.3 Grade 1		
Door Prep	Will cover stock hollow metal doors with 161 cutout	Center Case Cover	Satin Stainless Steel
		Handing	Non-Handed

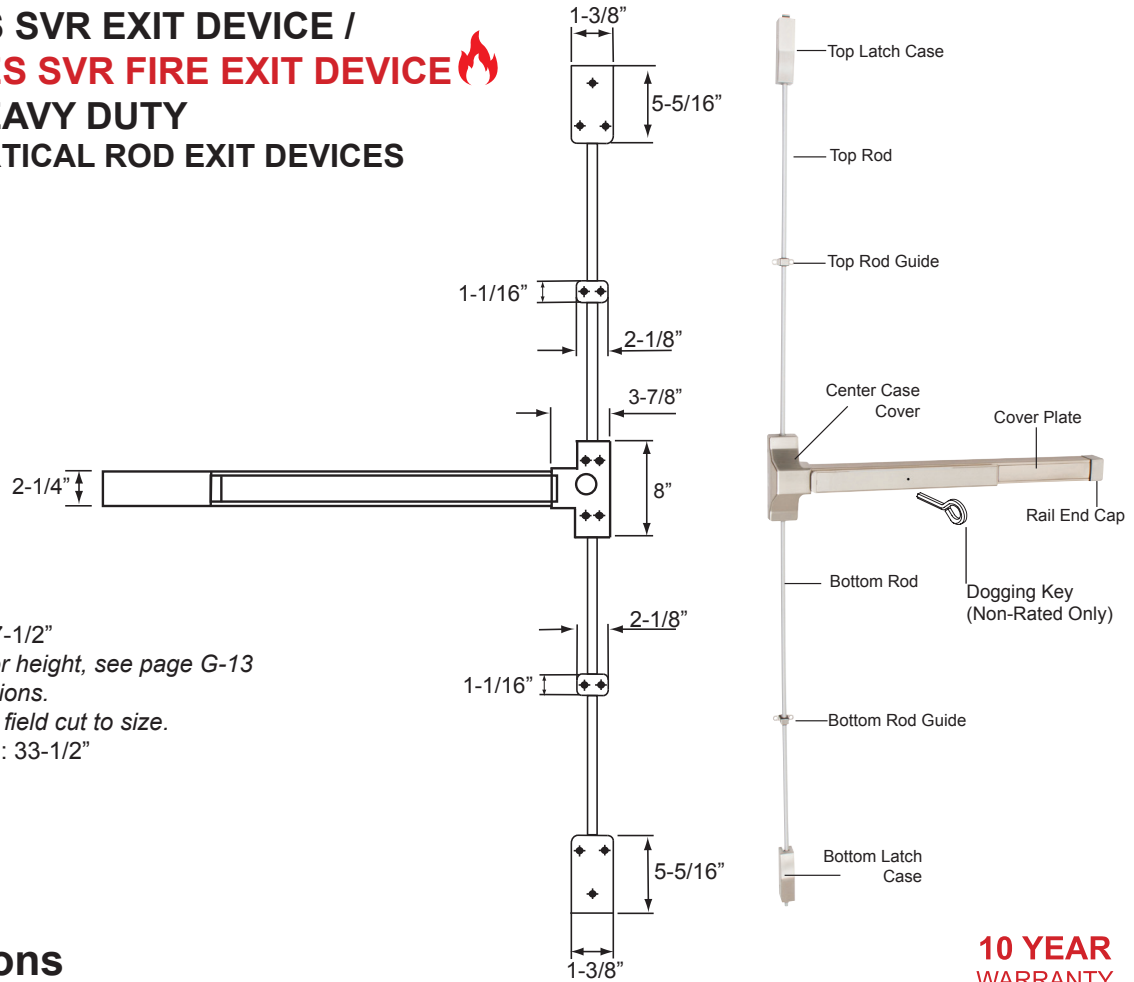
9000 SERIES (NON-RATED) PANIC HARDWARE

Model	Description	WT/ CTN	QTY/ CTN	US28 Satin Aluminum		US32D Satin Stainless Steel	
				Item No.	List Price	Item No.	List Price
9000-36	HD Rim Type Device for 36" Door	46 lb	4	691300	\$440.00	691301	\$480.00

F9000 SERIES (FIRE RATED) HARDWARE

Model	Description	WT/ CTN	QTY/ CTN	US28 Satin Aluminum		US32D Satin Stainless Steel	
				Item No.	List Price	Item No.	List Price
F9000-36	HD Fire Rim Type Device for 36" Door	46 Lbs	4	693300	\$520.00	693301	\$550.00
F9000-48	HD Fire Rim Type Device for 48" Door	48 Lbs	4			693302	\$600.00

9100 SERIES SVR EXIT DEVICE / F9100 SERIES SVR FIRE EXIT DEVICE GRADE 1 HEAVY DUTY SURFACE VERTICAL ROD EXIT DEVICES



Specifications

Applications	Offices, Schools, Hospitals, Apartments, Hotel/Motels & other Public Buildings	Latchbolt	Zinc
Door Size	33" to 36" x 84". Top Rod Extension Available (up to 10') Bar easily field cut to size	Latchbolt Spring	Satin Stainless Steel throughout
Stile Width	3-1/2" minimum stile width required	Strike	9100 Series (Non-Rated) #8171 Steel Strike for Top Case #8172 Zinc Strike for Bottom Case #8285 Overlapping Strike F9100 Series (Fire Rated) #8171 Steel Strike for Top Case #8178 Steel Strike for Bottom Case #8285 Overlapping Strike
Mounting Rail, Cover Plate	Anodized Aluminum (US28) or Stainless Steel (US32D)	Center Case Cover	Satin Stainless Steel
UL Listed	Complies with UL 305 standards Listed for safety as Panic Hardware	Door Thickness	1-3/4" ~ 2" standard, 2-1/4" optional
Door Prep	Will cover stock hollow metal doors with 161 cutout		
Mounting	Furnished standard with wood & machine screws Sex nuts and bolts (1346) optional		

9100 SERIES (NON-RATED) PANIC HARDWARE

Model	Description	WT/CTN	QTY/CTN	US32D Satin Stainless Steel
9100-3684	HD Vertical Rod Type Device for 36" X 84" Door	62 lb	4	Item No. 692301
				List Price \$650.00

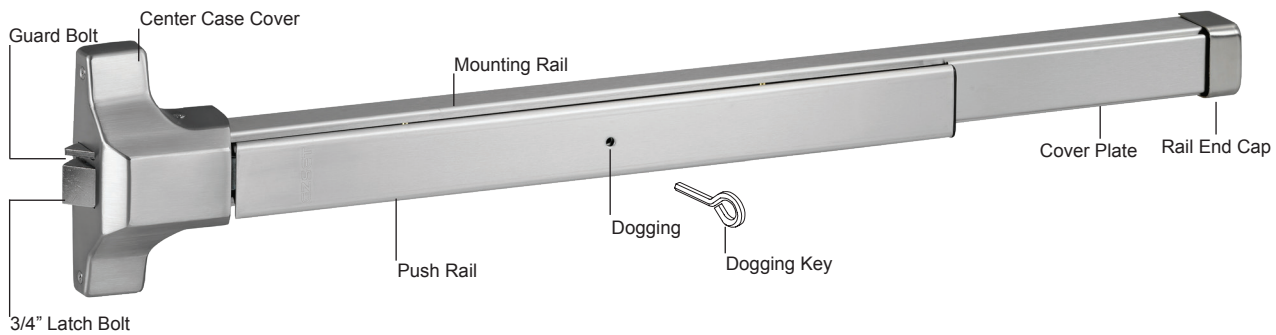
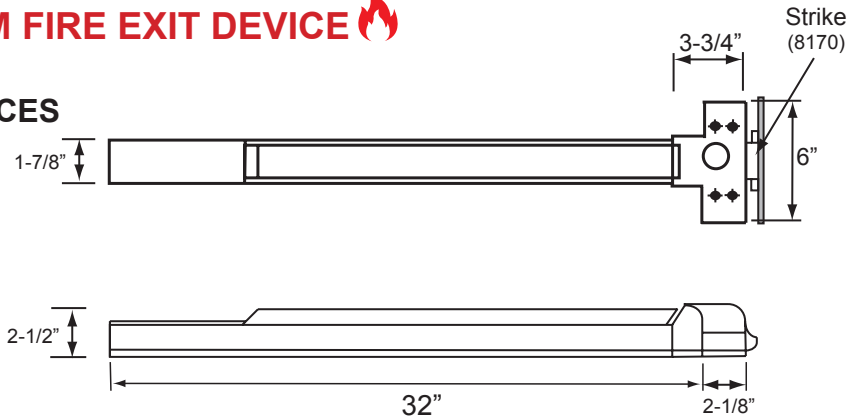
F9100 SERIES (FIRE RATED)

Model	Description	WT/CTN	QTY/CTN	US28 Satin Aluminum	US32D Satin Stainless Steel
F9100-3684	HD Fire Vertical Rod Type Device for 36" X 84" Door	62 lb	4	Item No. 694300	694301
				List Price \$680.00	\$700.00

8000 SERIES RIM EXIT DEVICE / F8000 SERIES RIM FIRE EXIT DEVICE

GRADE 1 RIM TYPE EXIT DEVICES

Shown in Satin Aluminum



Specifications

**10 YEAR
WARRANTY**

Applications	Offices, Schools, Hospitals, Apartments, Hotel/Motels & other Public Buildings	Mounting	Furnished standard with wood & machine screws Sex nuts and bolts (1346) optional.
Door Thickness	1-3/4" ~ 2" standard, 2-1/4" optional	Latchbolt	Zinc with 3/4" throw
Door Size	33" to 36". Bar can be easily field cut to size	Latchbolt Spring	Satin Stainless Steel throughout
Stile Width	4-1/2" minimum stile width required	Guard Bolt	Zinc Alloy
Mounting Rail, Cover Plate	Painted Aluminum, Painted Black, Painted Bronze or Satin Stainless Steel (US32D)	Strike	8000 Series (Non-Rated) #8170 Steel Roller Strike 2-3/4" Backset Optional Strike #8070 for 2-3/8" Backset F8000 Series (Fire Rated) #8070 Steel Roller Strike — 2-3/4" or 2-3/8" Backset
UL Listed	Complies with UL 305 standards Listed for safety as Panic Hardware	Center Case Cover	Zinc Alloy
Rating	ANSI 156.3 Grade 1	Handing	Non Handed
Door Prep	Will cover stock hollow metal doors with 161 cutout		

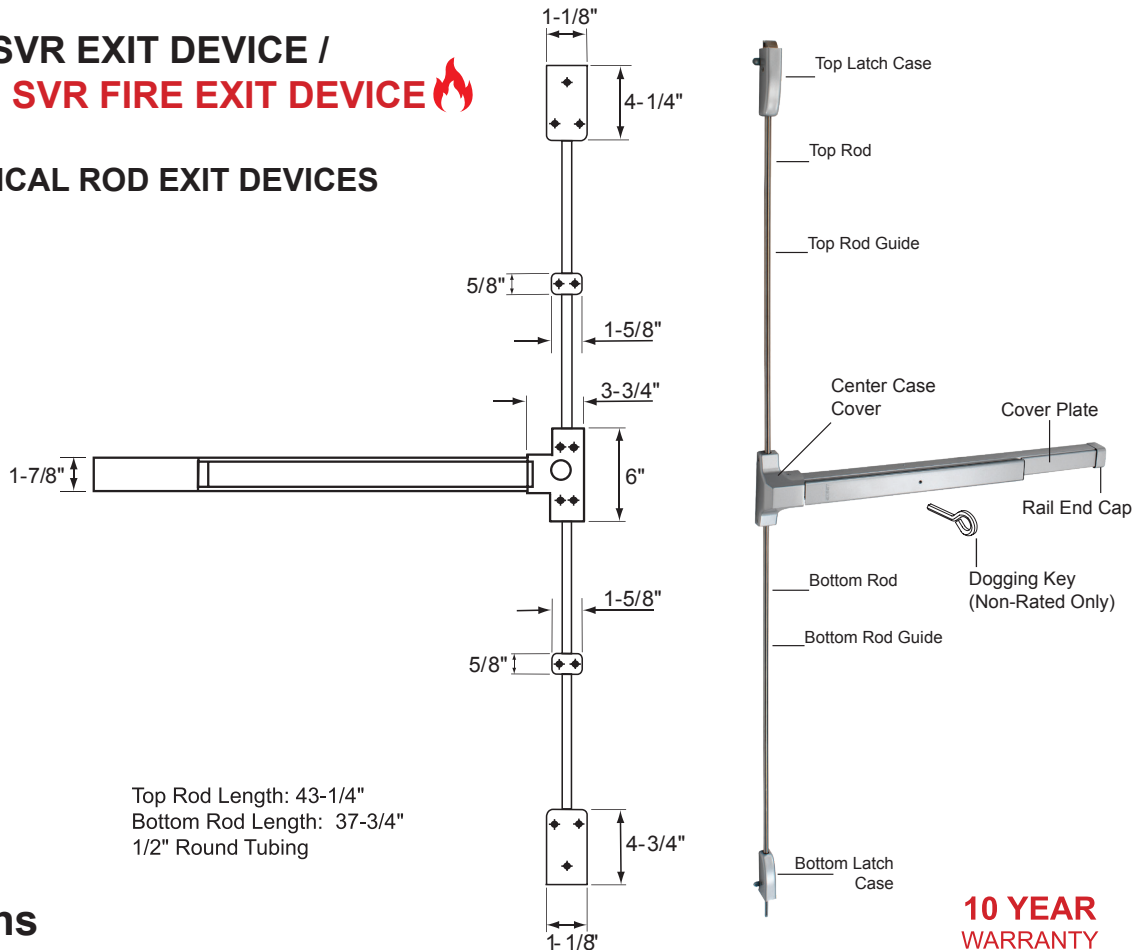
8000 SERIES (NON-RATED) PANIC HARDWARE

Model	Description	WT/ CTN	QTY/ CTN	Aluminum Painted	US32D Satin Stainless Steel	Matte Black Painted	Dark Bronze Painted
8000-36	Rim Type Device for 36" Door	52 lb	6	Item No.	681300	681301	681309
				List Price	\$230.00	\$245.00	\$253.00

F8000 SERIES (FIRE-RATED)

Model	Description	WT/ CTN	QTY/ CTN	Aluminum Painted	US32D Satin Stainless Steel	Matte Black Painted	Dark Bronze Painted
F8000-36	Fire Rim Type Device for 36" Door	52 lbs	6	Item No.	683300	683301	683309
				List Price	\$260.00	\$360.00	\$286.00
F8000-48	Fire Rim Type Device for 48" Door	60 lbs	6	Item No.	—	683401	—
				List Price	—	\$400.00	—

**8100 SERIES SVR EXIT DEVICE /
F8100 SERIES SVR FIRE EXIT DEVICE** 
GRADE 1
SURFACE VERTICAL ROD EXIT DEVICES



Top Rod Length: 43-1/4"
Bottom Rod Length: 37-3/4"
1/2" Round Tubing

**10 YEAR
WARRANTY**



Specifications

Applications	Offices, Schools, Hospitals, Apartments, Hotels & other Public Buildings	Latchbolt	Zinc
Door Size	33" to 36" x 84". Top Rod Extension Available (up to 10') Bar easily field cut to size	Latchbolt Spring	Satin Stainless Steel throughout
Stile Width	3-1/2" minimum stile width required	Strike	8100 Series (Non-Rated) #8171 Steel Strike for Top Case #8172 Zinc Strike for Bottom Case
Mounting Rail, Cover Plate	Painted Aluminum, Painted Dark Bronze, Painted Black or Satin Stainless Steel (US32D)		F8100 Series (Fire Rated) #8171 Steel Strike for Top Case #8178 Steel Strike for Bottom Case
UL Listed	Complies with UL 305 standards Listed for safety as Panic Hardware		
Door Thickness	1-3/4" ~ 2" standard, 2-1/4" optional	Center Case Cover	Zinc Alloy
Door Prep	Will cover stock hollow metal doors with 161 cutout	Handing	Reversible
Mounting	Furnished standard with wood & machine screws Sex nuts and bolts (1346) optional.		

8100 SERIES (NON-RATED) PANIC HARDWARE

Model	Description	WT/ CTN	QTY/ CTN	Aluminum Painted	US32D Satin Stainless Steel	Matte Black Painted	Dark Bronze Painted
8100-3684	Vertical Rod Type Device for 36" X 84" Door	65 lb	6	Item No.	682300	682301	682309
				List Price	\$330.00	\$350.00	\$363.00

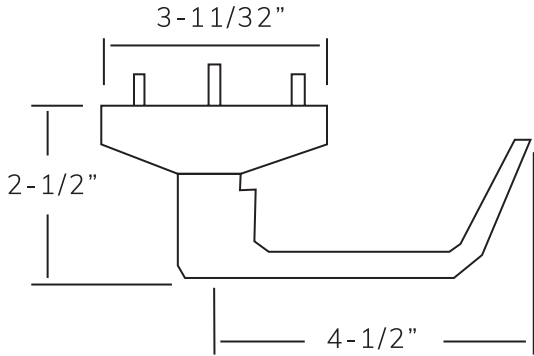
F8100 SERIES (FIRE-RATED)

Model	Description	WT/ CTN	QTY/ CTN	Aluminum Painted	US32D Satin Stainless Steel	Matte Black Painted	Dark Bronze Painted
F8100-3684	Fire Vertical Rod Type Device for 36" x 84" Door	52 lbs	6	Item No.	684300	684301	684309
				List Price	\$400.00	\$450.00	\$440.00
F8100-4884	Fire Vertical Rod Type Device for 48" x 84" Door	60 lbs	6	Item No.	—	684401	—
				List Price	—	\$500.00	—

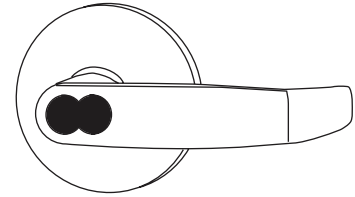
DELANEY® EXIT DEVICE TRIM

500L SERIES EXIT DEVICE TRIM STANDARD EXTERIOR LEVER TRIM

Shown in Satin Chrome



500L or 504L Series*
Entrance or Night Latch
Function



500L-IC or 504L-IC Series
Entrance or Night Latch Function
(CT Style Only)



501L Series*
Passage Function

Interchangeable Core Design compatible with Small Format Interchangeable Core 6-Pin See page 150.



(SFIC) Interchangeable
Core Available
CT Lever Only


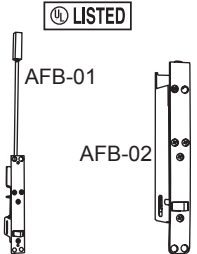


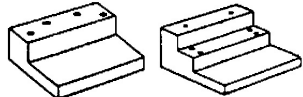
*Above products shown as CT Levers.
SD & MD Levers also available.

ADA Compliant
Specifications


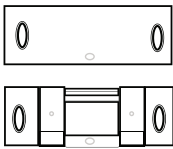


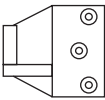



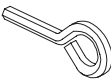
Functions:		Door Thickness	1-3/4" - 2" Standard
Entrance	Entrance by lever Key retracts latchbolt & unlocks lever		
Night Latch	Entrance by lever when released by key Otherwise always locked	Cylinder	Schlage C-6-Pin Keyway standard KW1-5 Pin optional SFIC 6-Pin available (CT style only)
Passage	Entrance by lever (no cylinder) Lever always active.	Door Prep	Will cover stock hollow metal doors with 161 cutout

Model	Description	QTY/ CTN		US19 Matte Black	US26D Satin Chrome	Dark Bronze
500L	CT Lever Trim - Entrance	6	Item No.	699119	699112	699115
			List Price	\$100.00	\$100.00	\$100.00
504L	CT Lever Trim - Night Latch	6	Item No.	699129	699122	699125
			List Price	\$100.00	\$100.00	\$100.00
501L	CT Lever Trim - Passage	6	Item No.	699139	699132	699135
			List Price	\$90.00	\$90.00	\$90.00
500L-IC	CT Lever Trim - Entrance for IC Core <i>Core Not Included</i>	6	Item No.	—	699102	—
			List Price		\$100.00	
504L-IC	CT Lever Trim - Night Latch for IC Core <i>Core Not Included</i>	6	Item No.	—	699142	—
			List Price		\$100.00	
500L	SD Lever Trim - Entrance	6	Item No.	698119	698112	—
			List Price	\$100.00	\$100.00	
504L	SD Lever Trim - Night Latch	6	Item No.	698129	698122	—
			List Price	\$100.00	\$100.00	
501L	SD Lever Trim - Passage	6	Item No.	698139	698132	—
			List Price	\$90.00	\$90.00	
500L	MD Lever Trim - Entrance	6	Item No.	697119	697112	697115
			List Price	\$100.00	\$100.00	\$100.00
504L	MD Lever Trim - Night Latch	6	Item No.	697129	697122	697125
			List Price	\$100.00	\$100.00	\$100.00
501L	MD Lever Trim - Passage	6	Item No.	697139	697132	697135
			List Price	\$90.00	\$90.00	\$90.00

EXIT DEVICE HARDWARE

	Model No.	Description	Finish	Item No.	List Price
	560V-120	Top Rod for 120" Door Height for 8100 Series	US32D	690440	\$50.00
	560V-120	Top Rod for 120" Door Height for 8100 Series	US10B	690442	\$50.00
	560V-120	Top Rod for 120" Door Height for 8100 Series	US19	690449	\$60.00
	960V-120	FOR USE WITH 9100 SERIES Top Rod for 120" Door Height for 9100 Series	US32D	695440	\$60.00
	AFB-02	Automatic Flush Bolt for Wood Door (per pair)	US32D	699971	\$175.00
	C52	Fire Door Coordinators 52"	US28	699750	\$210.00
	C60	Fire Door Coordinators 60"	US28	699760	\$235.00
	FB1858	18-5/8" Filler Bar for Coordinator	US28	699840	\$30.00
	FB3200	32" Filler Bar for Coordinator	US28	699800	\$35.00
	MB-01	Mounting Bracket for Stop Width Over 2-1/4"	US19	699010	\$50.00
	MB-01	Mounting Bracket for Stop Width 7/8" to 2-1/4"	US19	699020	\$55.00

EXIT DEVICE HARDWARE

Model No.	Description	Finish	Item No.	List Price
	1/8" Glass Bead Shim Kit - 8000/8100 (2pc)	Zinc	691683	\$42.00
	1/8" Glass Bead Shim Kit - 8000/F8000 (2pc)	Zinc	690683	\$30.00
	1/8" Glass Bead Shim Kit - 8100/F8100 (2pc)	Zinc	690694	\$45.00
	1/8" Glass Bead Shim Kit - 9000/F9000 (2pc)	Zinc	691683	\$42.00
	1/8" Glass Bead Shim Kit - 9100/F9100 (2pc)	Zinc	691694	\$45.00
	8070 F8000 Roller Strike w/Shim - 2-3/4" or 2-3/8" Backset Optional 8000 Series Rim Devices - 2-3/8" Backset	US28 Satin Aluminum	698070	\$20.00
	9222 1-1/8" x 2-1/4" Filler for Latch Front - Steel	US10B	698815	\$5.00
	9209 1-1/4" x 4-7/8" Filler for ANSI Strike - Steel	US10B	698885	\$8.00
	8285 Overlapping Strike for Double Door w/ 3 Mounting Screws For use with 8100, F8100, 9100, and F9100	US32D	698100	\$23.00
	LBR-AFL Auxiliary Fire Latch For use with LBR - Less Bottom Rod		698900	\$40.00
	1346 S.S. Sex Bolt for Door Size 1-3/4" - 2" (6pc) Included w/ Fire Exit Hardware.	US32	699951	\$15.00
	1346 S.S. Sex Bolt for Door Size 1-3/4" - 2" (6pc) Included w/ Fire Exit Hardware.	Duro	699952	\$15.00
	Alarm Kits for Exit Device 36" Alarm Kits for Exit Device 36"	US28 US32D	695300 695301	\$150.00 \$150.00
	Dogging Tool (Key) for Panic Hardware		699999	\$2.00

DELANEY® DOOR CLOSERS

PRODUCT SPECIFICATIONS

- ANSI 156.4 Grade 1
- UL / UL10C listed, 3-hour fire rating
- Compliant with ADA reduced opening force requirements
- Adjustable power size
- Independent latch, sweep & backcheck intensity valve
- Heavy duty rack & pinion
- Heat treated high tension piston
- High lubricity hydraulic fluid to ensure smooth operation
- Standard arm and parallel bracket included for regular arm, top jamb, and parallel arm applications
- Standard arm Installation allows door to swing 180°
- Sex Bolts included (6000 and 8000 Series Only)
- Non-Handed

Power Size	MAXIMUM SIZE OF DOOR (RECOMMENDED)				
	Regular Arm			Parallel Arm	
	Interior	Exterior Swing-In	Exterior Swing-Out	Interior	Exterior Swing-Out
1	28"	N/A	N/A	N/A	N/A
2	36"	N/A	N/A	30"	N/A
3	42"	30"	36"	36"	30"
4	48"	36"	42"	42"	36"
5	54"	42"	48"	48"	42"
6	60"	48"	54"	54"	48"

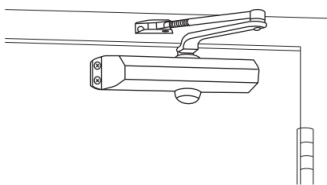
Series	Power Size (Adjustable)	Duty	Door Weight	Function Availability			Optional Accessories					
				Back Check	Delay Action	ADA	Hold Open Arm	Parallel Rigid Arm	Hold Open CUSH Arm	Drop Plate	Thru Bolts	Cover
8000	No. 1-6	Heavy	33 - 300 Lbs	●		●	●	●	●	●	●	●
8000 DA	No. 1-6	Heavy	33 - 300 Lbs		●	●	●	●	●	●	●	●
6000	No. 1-6	Medium-Heavy	55 - 300 Lbs	●		●	●	●	●	●	●	●
4400	No. 1-4	Light-Medium	33 - 187 Lbs	●		●	●				●	●
3000	No. 3	Light	99 - 143 Lbs								●	

CROSS REFERENCE

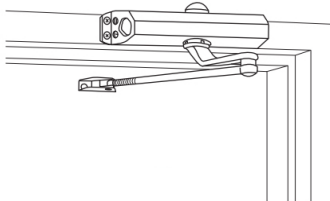
DELANEY	NORTON	YALE	DOR-O-MATIC	INTERNATIONAL	DORMA	LCN	SARGENT	CAL-ROYAL
8000 Series	7500	4400		4400	8900	4040XP		CR441
6000 Series	8501	3501	SC81	5000	8600	1461	1431	CR801-BF
4400 Series	1601BF	51BF	SC61				1131	300-PBFCOV
3000 Series	1600	50	SC90	650/750		1050		400

All Closers Tri-Packed for Three Installation Options

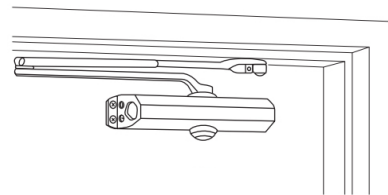
REGULAR ARM INSTALLATION
Closer is installed on PULL/HINGE side of door



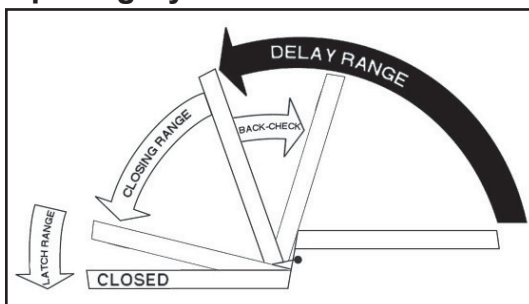
TOP JAMB INSTALLATION
Closer is installed on frame on PUSH/STOP side of door



PARALLEL ARM INSTALLATION
Closer is installed on PUSH/STOP side of door



Opening Cycle



Top Rail Guide

8000 Series	6000 Series
• RA: 3 1/2"	• RA: 3"
• PA: 5"	• PA: 4"
4400 Series	3000 Series
• RA: 2 3/8"	• RA: 2"
• PA: 4 5/8"	• PA: 4"

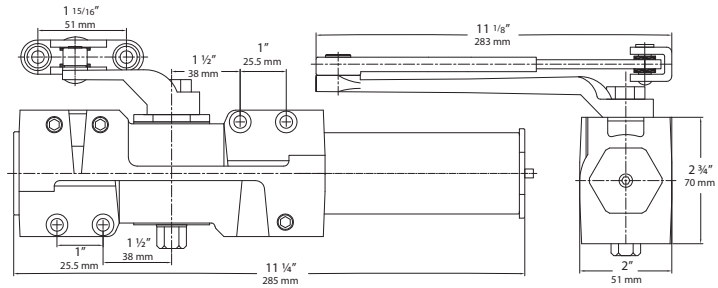
DELANEY® DOOR CLOSERS

8000 SERIES CAST IRON DOOR CLOSER

Power Size 1-6 (Preset Size 3)

UL LISTED

10 YEAR WARRANTY



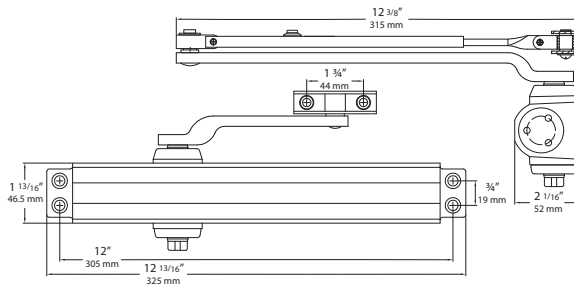
Model	WT/CTN	QTY/CTN		Aluminum Painted	Dark Bronze Painted
8000 Series Door Closer with Standard Full Cover	26 lb	2 Pcs	Item No.	608810	608811
			List Price	\$215.00	\$226.00
8000 Series Door Closer with Delay Action (DA) & Standard Full Cover	26 lb	2 Pcs	Item No.	608840	608841
			List Price	\$237.00	\$248.00

6000 SERIES CAST ALUMINUM DOOR CLOSER

Power Size 1-6 (Preset Size 3)

UL LISTED

10 YEAR WARRANTY



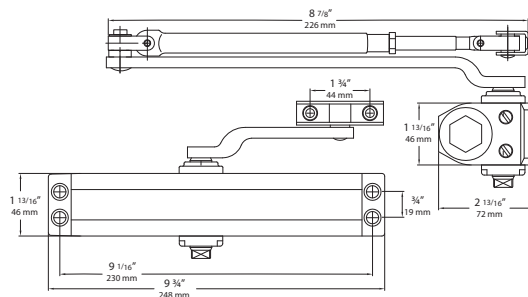
Model	WT/CTN	QTY/CTN		Aluminum Painted	Matte Black Painted	Dark Bronze Painted
6000 Series Door Closer with Standard Full Cover	44 lb	4 Pcs	Item No.	606710	606719	606711
			List Price	\$145.00	\$160.00	\$152.00
6000 Series Door Closer with Delay Action (DA) & Standard Full Cover	44 lb	4 Pcs	Item No.	606740		606741
			List Price	\$160.00		\$155.00

4400 SERIES DOOR CLOSER

Power Size 1-4 (Preset Size 2)

UL LISTED

10 YEAR WARRANTY



Model	WT/CTN	QTY/CTN		Aluminum Painted	Dark Bronze Painted
4400 Series Door Closer with Standard Full Cover	62 lb	10 Pcs	Item No.	604410	604411
			List Price	\$115.00	\$121.00

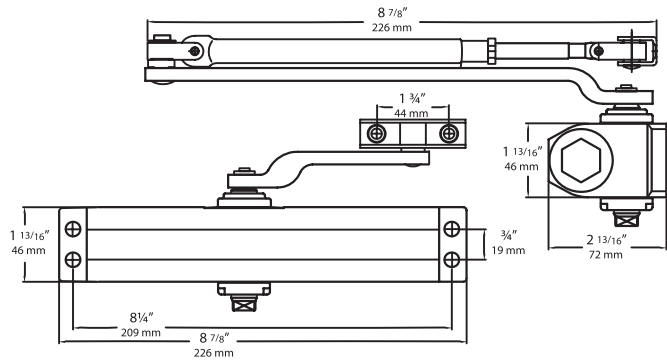
DELANEY® DOOR CLOSERS

3000 SERIES

Power Size 3



**5 YEAR
WARRANTY**



SPECIFICATIONS

- Meets ANSI 156.4 Grade 2
- UL Listed, 3-Hour Fire Rating
- Fixed Size 3 Closer
- Independent Latch & Sweep
- Heavy Duty Rack & Pinion
- Heat treated High Tension Piston
- High lubricity hydraulic fluid to ensure smooth operation
- Standard arm and parallel bracket included for regular arm, top jamb, and parallel arm applications
- Standard Arm Installation allows door to swing 180°
- Non-Handed

Model	WT/CTN	QTY/CTN	Aluminum		Dark Bronze	
			Item No.	603300	603301	List Price
3000 Series Door Closer	62 lb	10 Pcs				

DOOR CLOSER PARTS

	Description	Finish	Item No.	CTN QTY	WT/CTN	List Price
<p>With Parallel Bracket *Can not use Hold Open Arm for Fire Doors</p>	Friction Hold Open Arm - 8000	Aluminum	600840	12	33 lb	\$65.00
	Friction Hold Open Arm - 8000	Dark Bronze	600841	12	33 lb	\$35.00
	Friction Hold Open Arm - 6000 (with parallel Bracket)	Aluminum	600640	12	33 lb	\$45.00
	Friction Hold Open Arm - 6000 (with parallel Bracket)	Dark Bronze	600641	12	33 lb	\$45.00
	Friction Hold Open Arm - 6000/4400	Aluminum	600440	12	33 lb	\$45.00
	Friction Hold Open Arm - 6000/4400	Dark Bronze	600441	12	33 lb	\$45.00
	Parallel Rigid Cush Arm - 8000	Aluminum	600850	12	33 lb	\$60.00
	Parallel Rigid Cush Arm - 8000	Dark Bronze	600851	12	33 lb	\$60.00
	Parallel Rigid Cush Arm - 6000	Dark Bronze	600651	12	33 lb	\$60.00
<p>*Not for use with Fire Doors</p>	Hold Open Cush Arm for 8000	Aluminum	600860	12	46 lb	\$63.00
	Hold Open Cush Arm for 8000	Dark Bronze	600861	12	46 lb	\$63.00
	Hold Open Cush Arm for 6000	Aluminum	600660	12	51 lb	\$63.00
	Hold Open Cush Arm for 6000	Dark Bronze	600661	12	51 lb	\$63.00
	Sex Bolt w/ Screw (All Series)	Aluminum	600180	4 Pcs/Set		\$7.00
	Sex Bolt w/ Screw (All Series)	Dark Bronze	600181	4 Pcs/Set		\$7.00
	8000-Series Drop Plate	Aluminum	600820	20 Pcs	66 lb	\$26.00
	8000-Series Drop Plate	Dark Bronze	600821	20 Pcs	66 lb	\$26.00
	6000/6000S-Series Drop Plate	Aluminum	600620	20 Pcs	40 lb	\$26.00
	6000/6000S-Series Drop Plate	Dark Bronze	600621	20 Pcs	40 lb	\$26.00
	6000S Replacement Slim Cover Only	Aluminum	600610			\$9.00
	6000S Replacement Slim Cover Only	Dark Bronze	600611			\$9.00
	6000 Replacement Cover Only	Aluminum	600630			\$17.00
	6000 Replacement Cover Only	Dark Bronze	600631			\$17.00
	8000 Replacement Cover Only	Aluminum	600830			\$17.00
	8000 Replacement Cover Only	Dark Bronze	600831			\$17.00

DELANEY® DOOR CLOSERS



**DELANEY
HARDWARE**

E-mail us:
orders@delaneyhardware.com
quotes@delaneyhardware.com

Visit us online: www.DelaneyHardware.com

Delaney Hardware | 655 Peachtree Industrial Blvd, Building 100-A | Sugar Hill, GA 30518
1-800-952-4430 | Fax 770-844-8658

© 2025 Delaney Hardware. All rights reserved. No portion of this catalog may be reprinted without the written consent of Delaney Hardware. All specifications are subject to change without notice.

